



SCARAB M6

Sweeper Kit



Illustrated Parts Catalogue



ILLUSTRATED PARTS CATALOGUE

SCARAB M6

When re-ordering this document please quote the following part number:

Manual Z035863

Original Issue May 2009

This manual is published by the Technical Publications Department of Scarab Sweepers Limited and every effort is made to ensure that the information it contains is correct at the time of publication. Due to a policy of continuous development, however, the Company reserves the right to alter the specification and to supply when so altered without reference to illustrations and descriptions in this manual.

Scarab Sweepers Limited

Pattenden Lane, Marden, Kent TN12 9QD, England

Telephone: 01622 831006

International: +44 1622 831006

e-mail: scarab@scarab-sales.com

Fax: 01622 832417

International +44 1622 832417

Web site: www.scarab-sweepers.com

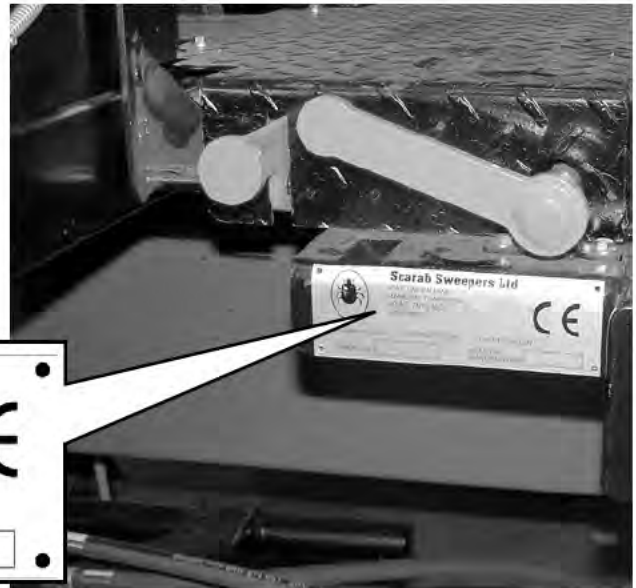
IMPORTANT NOTICE TO USERS

It is imperative that the correct model is **FULLY** identified when procuring replacement parts for your Scarab Sweeper. To avoid unnecessary confusion and delays caused by incorrectly ordered parts, please refer to the Vehicle Serial Number Plate and take note of the vehicle's number, **INCLUDING** the prefix letter.

NOTE:

The Serial Number Plate is located adjacent to the subframe foot plate either on the left or right hand side.

The example shown here is for guidance only.



	Scarab Sweepers Ltd PATTENDEN LANE MARDEN, TONBRIDGE KENT, TN12 9QD ENGLAND	
<small>www.scarab-sales.com</small>	<small>Tel 01622 831006</small>	<small>Fax 01622 832417</small>
<small>SERIAL No.</small> <input type="text"/>	<small>YEAR OF MANUFACTURE</small> <input type="text"/>	

This information **MUST** accompany **EVERY** parts order to ensure that the correct parts are supplied.

AMENDMENT RECORD

To record an amendment to the manual, enter the number of the amendment leaflet and the date of incorporation on this card. It is advisable to annotate each amendment with the Amendment Instruction (AI) number to avoid confusion when successive amendments to the same section are issued.

Pour enregistrer une modification apportée au manuel, inscrire sur cette feuille le numéro de la fiche de modification et la date de l'insertion, Il y a lieu de marquer chaque modification du numéro de la fiche pour éviter toute confusion lors de l'émission de modifications consécutives portant sur une même rubrique.

Un eine Abänderung in diesem Handbuch zu registrieren, soll man die Nummer des Abänderungsblattes und Datum dessen Eingliederung auf dieser Karte eintragen. Es ist ratsam, dass jede Abänderung mit der Blattnummer gekennzeichnet wird, so dass keine Verwechslung eintreten kann, wenn weitere Abänderungen des selbel Teils herausgegeben werden.

Para registrar una modificación del manual, anótese el número de la hoja de modificación y la fecha de incorporación en esta tarjeta. Es conveniente anotar las modificaciones con el número de la hoja para evitar confusiones cuando se publiquen modificaciones sucesivas de la misma sección.

Per annotare le modifiche a manuale, registrare il numero dell' opuscolo modificato e la data d' incorporazione, su questa scheda. Annotare ciascuna modifica con il numero dell' opuscolo per evitare confusione, in caso di modifiche successive alla stessa sezione.

Amdt/AI No.	Date Incorporated	Actioned By	Pages Affected By Amendment

HOW TO USE THIS ILLUSTRATED PARTS CATALOGUE

INTRODUCTION

This Illustrated Parts Catalogue has been organised to facilitate ease of use when identifying and procuring replacement parts for the Scarab Mistral. The information content has been arranged in a logical manner by creating a number of separate sections, each dealing with a specific aspect or sub-system of the machine. Each section is a self-contained sub-division of the manual, complete with its own table of contents. Where relevant, cross-references from one section to another have been included to enable the user to quickly navigate to the information that gives the required level of detail; for example, the Auxiliary Engine and Fan Pump are called up in Section B - Auxiliary Engine, because they are a part of that system, but for details of internal components and replacement parts the reader is directed by appropriate cross-references, to Section F - Hydraulic System and Equipment. In support of the sections detailing the main sub-systems are two indexes (alphabetical and numerical) and these can be used to identify the correct location/items in the manual when either the part number or the parent assembly are unknown. These should be used as follows:

WHEN THE PART NUMBER IS KNOWN

When a component's or an assembly's part number is known but the parent assembly is not known, refer to the Index Card at the front of this manual to locate the Numerical Index. Turn to the index and find the part number in the index listing. Note the section and page number(s) and then turn to the appropriate section/page(s). Scan the parts list on the relevant page(s) to locate the part number in question noting its item reference number (this is the number in the left hand column) and its quantity as required. Next, refer to the accompanying illustration and identify the item reference number and the component to which it refers.

WHEN THE PART NUMBER IS NOT KNOWN

Two methods are available for locating and identifying a component or an assembly when its part number is not known. Firstly, refer to the Index Card at the front of this manual, then, if the item's description is known, refer to the Alphabetical Index to locate the appropriate section/pages. Alternatively, if the machine sub-system to which the item relates is known, refer to the Index Card to locate the appropriate section. Once the correct section is identified, use its Table of Contents to identify the page(s) covering the required information. Turn to the correct page(s) and then refer to the illustration to identify the component or assembly, noting its item reference number. Next, refer to the associated parts list opposite and locate the item reference number identified by the illustration, noting the item's part number, quantity and description as required.

USING THE PARTS LISTS

The breakdown structure within each parts list reflects the inter-relationship of the various components in what is, loosely, an assembly/disassembly order, however, it must be stressed that this is not necessarily a true reflection of factory assembly/disassembly procedures, but is used to show logical groups of components. The order of information (L to R) is: Item/Part No./Quantity/Description.

The first item on a parts list (the main assembly in question) is always shown in bold uppercase, thus:

065432	1	DESCRIPTION OF MAIN ASSY
---------------	----------	---------------------------------

The succeeding parts generally fall into two categories, namely attaching parts i.e. bolts, screws, nuts, washers etc. or breakdown parts i.e. sub assemblies and/or piece parts.

Attaching parts always immediately follow the assembly, sub-assembly or piece part to which they relate and are indented, for example:

065432	1	DESCRIPTION OF MAIN ASSY
012345	4	Screw, hex hd, M25 x 100 mm long
012346	4	Nut, hex, Nyloc, M12

The breakdown parts are then listed as described earlier in this paragraph with each successive level being indented from its own parent level (as in the foregoing example, attaching parts are listed first), as follows:

Continued ...

HOW TO USE THIS ILLUSTRATED PARTS CATALOGUE

USING THE PARTS LISTS (*Continued*)

	065432	1	DESCRIPTION OF MAIN ASSY
	012345	4	. Screw, hex hd, M25 x 100 mm long
	012346	4	. Nut, hex, Nyloc, M12
1	064321	1	. Sub-Assy 1 of Main Assy
	012356	2	. . Screw, skt hd, M6 x 30 mm long
	012344	2	. . Washer, plain, 6 mm
	012355	2	. . Nut, hex, Nyloc, M6
2	045678	1	. . Sub-Sub-Assy 1 of Sub-Assy 1
3	032145	1	. . . Piece part 1 of Sub-Sub-Assy 1
4	032146	1	. . . Piece part 2 of Sub-Sub-Assy 1
5	032187	1	. . . Piece part 3 of Sub-Sub-Assy 1
6	045678	1	. . Sub-Sub-Assy 2 of Sub-Assy 1
7	032142	1	. . . Piece part 1 of Sub-Sub-Assy 2
8	032149	1	. . . Piece part 2 of Sub-Sub-Assy 2
9	064321	1	. Sub-Assy 2 of Main Assy
	012356	2	. . Screw, skt hd, M6 x 30 mm long
	012344	2	. . Washer, plain, 6 mm
	012355	2	. . Nut, hex, Nyloc, M6etc.

As the parts list develops it can be seen how the individual items comprising the Main Assembly are related and how this relationship is shown by indenting. In some cases these might be actual factory sub-assemblies but they could equally be no more than logical groupings of items that are related to one another, such as a gearbox shaft, the gears that fit on that shaft and the bearings that the shaft runs in.

ITEM REFERENCE NUMBERS

Item reference numbers are used to cross-refer items from the parts lists to their associated illustrations and vice-versa. Normally, all items other than attaching parts are given a number, however, there are two exceptions:

Attaching parts that are not standard items e.g. a special screw, are given an item reference number.

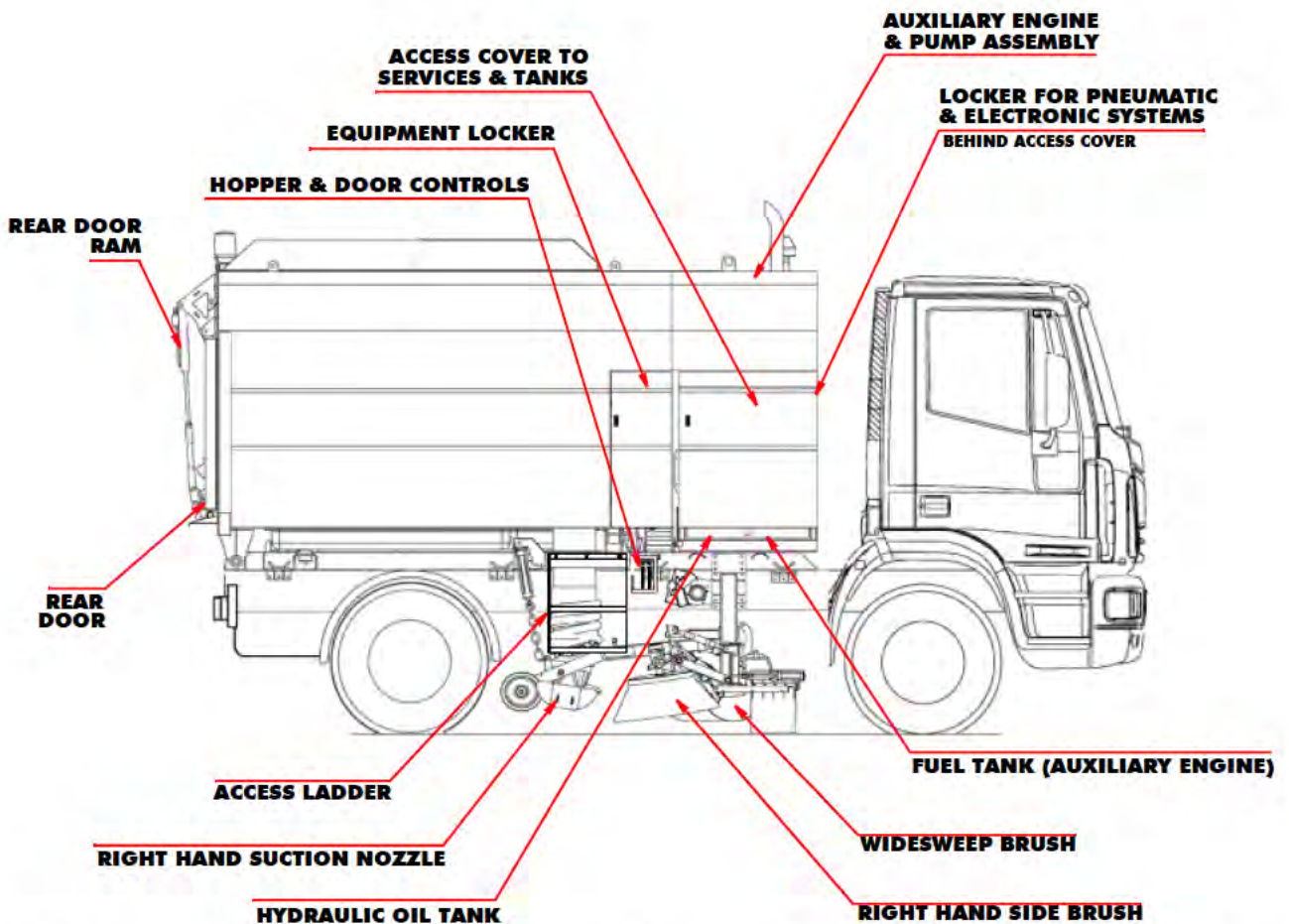
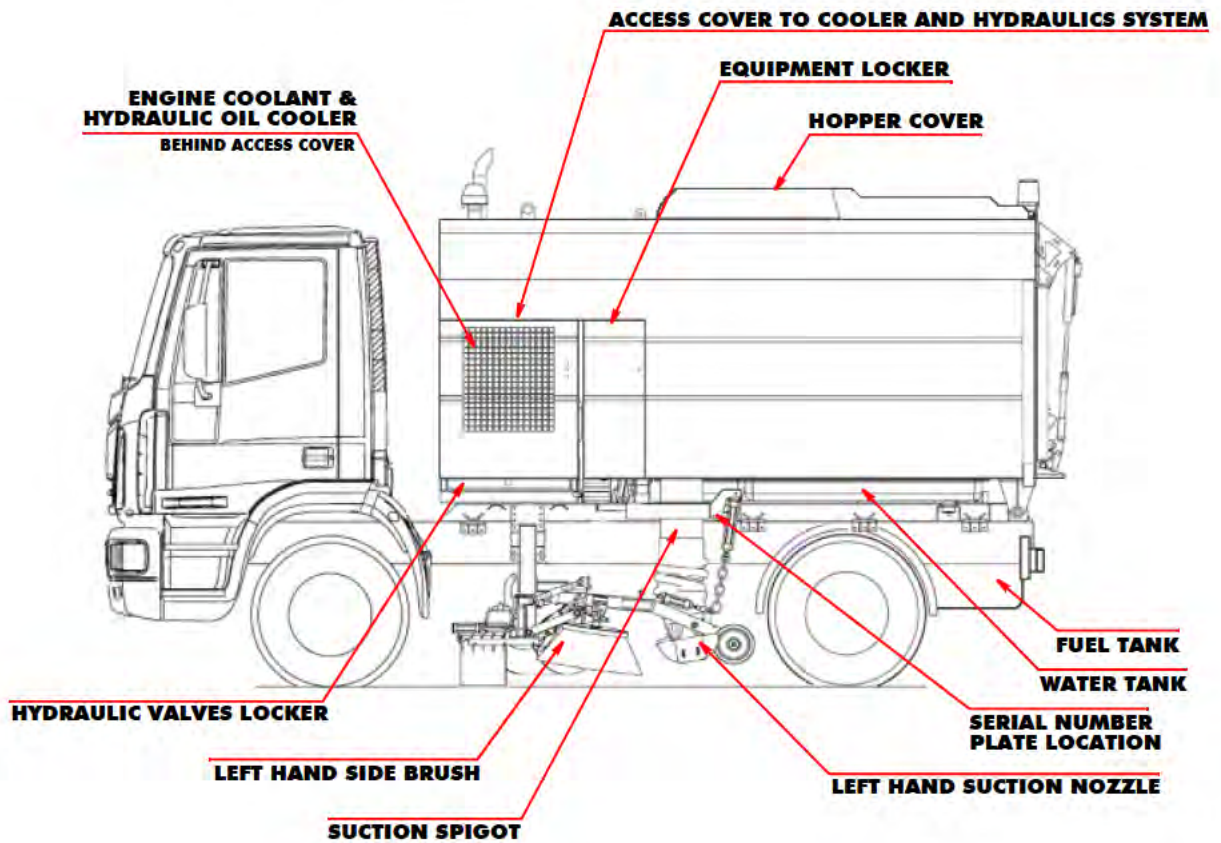
Items that are not illustrated for a particular reason, e.g. where one half of a handed assembly is already illustrated, or where illustration of that item is superfluous, are listed as not illustrated **(NI)**.

WARRANTY STATEMENT

1. Scarab Sweepers Limited (hereinafter referred to as the Company) warrants that (subject to the other provisions of the published Terms and Conditions of Sale - available upon request) upon delivery and for a period of 12 months from the date of actual delivery, or 2,000 running hours from the date of actual delivery whichever is sooner, the Goods correspond with their specification at the time of delivery, and will be free from defects in materials and workmanship.
2. The Company does not warrant the condition or quality of any used Goods supplied to the Customer, or other truck manufacturers' chassis cab content or to the engine fitted in the Scarab Minor Sweeper or to any other component not manufactured by the Company and any such warranty claims must be submitted to the manufacturer of that component, or their locally appointed agent.
3. The Company shall not be liable for a breach of any of the warranties in condition 1 unless the Customer gives written notice of the defect to the Company, and (if the defect is as a result of damage in transit) to the carrier, within 7 days of the time when the Customer discovers or ought to have discovered the defect.
4. The Company shall not be liable for a breach of any of the warranties in condition 1 if the Customer makes any further use of such Goods after giving such notice, the defect arises because the Customer failed to follow the Company's oral or written instructions as to the storage, installation, commissioning, use or maintenance of the Goods or (if there are none) good trade practice, or the Customer alters or repairs such Goods without the written consent of the Company, or uses non genuine parts to effect a repair.
5. The following consumable items listed are excluded from the Company warranty:
 - all fuel oils,
 - antifreeze,
 - all brush link pivots and bushes,
 - wander hoses, suction nozzles,
 - body inlet ducts, wearing plates,
 - high pressure water pump piston seals and valves,
 - door seals,
 - inlet seals,
 - batteries,
 - tyres,
 - all brushes,
 - lift cables,
 - rubber skirts,
 - suction nozzle wheels,
 - flap trunking,
 - deflectors,
 - screens flaps or blanking plates,
 - water pump diaphragm valves and water jets,
 - all filter strainers and elements,
 - windows,
 - glass mirrors,
 - light bulbs,
 - fuses,
 - brake lining pads,
 - auxiliary drive belts and any other part normally regarded as consumable.
6. Any parts replaced under the terms of this warranty will be covered by the unexpired portion of this warranty.
7. Subject to conditions 3 and 4, if any of the Goods do not conform with any of the warranties in condition 1 the Company shall at its option repair or replace such Goods (or the defective part) or refund the price of such Goods at the pro rata Contract rate provided that, if the Company so requests, the Customer shall, at the Customer's expense, remove the defective Goods or part of such Goods and return the Goods or the part of such Goods which is defective to the Company. Parts replaced under warranty will be delivered by the Company FOB port of exportation.
8. If the Company complies with the terms contained in this statement it shall have no further liability for a breach of any of the warranties in condition 1 in respect of such Goods.
9. No representative or agent of Scarab Sweepers Limited has the authority to add or to vary these Warranty Conditions except with the Company's official confirmation in writing from Scarab Sweepers Limited, head office in Marden Kent, England.

For further information, please refer to the Company's Terms & Conditions of Sale. In the event of conflict between this Warranty Statement and the Company's Terms & Conditions of Sale the latter will prevail.

MAIN FEATURES OF THE SCARAB M6





REMEMBER, ACCIDENTS DON'T JUST HAPPEN, THEY ARE CAUSED.

1. Before driving the vehicle, ensure that **ALL** relevant Vehicle Checks have been completed.
2. Before starting the vehicle engine, ensure that **ALL** controls are switched **OFF** and that the vehicle is in **NEUTRAL**.
3. **ALWAYS** ensure that the control panel is OFF before starting the auxiliary engine.
3. Before raising the hopper or working on the machine, ensure that it is positioned on firm, level ground that the engine is stopped, the ignition key is removed and that the parking brake is applied.
4. Before operating the hopper tip or rear door control, ensure that there is sufficient clearance and that it is safe to do so.
5. Always use the hopper prop when working under a **RAISED** hopper.
6. Do **NOT** overload the hopper.
7. Do **NOT** drive the vehicle with the hopper in the **RAISED** position.
8. High pressure water can be hazardous and misuse can result in serious injury. Always wear suitable eye protection and exercise extreme care when operating the high pressure water pump and lance. Never direct the jet at other persons. Beware of electrical installations on buildings, lamp standards and other structures.
9. Do **NOT** permit the suction fan to become excessively dirt encrusted, this will cause an imbalance resulting in vibration levels that can shorten the life and, in extreme cases cause failure, of the motor/bearings and associated components.
10. Observe **ALL** operating/maintenance instructions and advice. These are intended to ensure that your sweeper operates safely and efficiently.

VEHICLE CHECKS
(All checks are visual unless otherwise stated)

BEFORE DRIVING THE VEHICLE:

1. Check that the hydraulic oil level is correct.
2. Check for hydraulic oil leaks. in the event of a hydraulic oil leak, **IMMEDIATELY**, turn off the Auxiliary Engine. Failure to comply can result in damage to the pumps and motors.
3. Check brushes and skirts for wear and remove any items such as string which might have become entangled.
4. Check that all equipment is correctly stowed and that all brushes are in the raised position.
5. Check water spray jets for blockages.
6. Check that hopper screens and fan are clean.
7. Check general vehicle condition for safety.
8. Check exterior lighting for correct operation and general cleanliness.
9. Check the following fluid levels and top up as required:
 - (a) Engine oil (Vehicle/Auxiliary Engine).
 - (b) Engine coolant (Vehicle/Auxiliary Engine).
 - (c) Windscreen wash
 - (d) Brake fluid
 - (e) Fuel (Vehicle/Auxiliary Engine).
10. Check tyres for damage and for correct inflation pressure

THIS PAGE INTENTIONALLY LEFT BLANK

CAB CONTROLS & INSTRUMENTS	
AUXILIARY ENGINE & RELATED EQUIPMENT	
SUBFRAME, HOPPER & RELATED EQUIPMENT	
SWEEPING & SUCTION EQUIPMENT	
WASHING & DUST SUPPRESSION SYSTEM	
HYDRAULIC SYSTEM & EQUIPMENT	
PNEUMATIC SYSTEM & EQUIPMENT	
ELECTRICAL SYSTEM & EQUIPMENT	
LABELS & DECALS	
MULTI-LINGUAL GLOSSARY	



THIS PAGE INTENTIONALLY LEFT BLANK

ILLUSTRATED PARTS CATALOGUE

SCARAB M6

SECTION A CONTROL PANEL & CAB INSTRUMENTS

Table of Contents

Assembly/Description	Page
CONTROL & INSTRUMENT PANELS	
Main Control Panel - CANbus	1
CAB VARIOUS	
Side brush - Air Pressure Regulator	1
Beacons	3



<i>Item</i>	<i>Part Number</i>	<i>Quantity</i>	<i>Description</i>
MAIN CONTROL PANEL ASSEMBLY - CANbus2			
1	034424SE	1	. Control panel, keypad & display (service exchange unit)
NI	028688	1	.. Fascia, control panel
2	028690	1	.. Enclosure, touch panel
3	032108	1	... Ball joint. control panel mounting
4	034531	1	.. Overlay, control panel
	000304	8	... Button head screw M4 x 10 mm
5	034543	1	.. WIRING LOOM Page H3
6	004250	1	... Connector, 9-way, round, male
NI	004165	As Req	... Pins for 004250 (spare)
7	004251	1	... Connector, 9-Way, round, female
NI	004166	As Req	... Pins for 004251 (spare)
10	032511	1	.. Plate, connector mounting

<i>Item</i>	<i>Part Number</i>	<i>Quantity</i>	<i>Description</i>
SIDE BRUSH AIR PRESSURE REGULATOR - (OPTION)			
1	023242	1	Mini regulator
2	023246	1	Gauge 0 - 10 bar
NI	023245	1	. Bracket kit*
NI	030186	1	. Air regulator / gauge plate*
NI	020735	1	.. Connector, straight 1/8" BSP
NI	006007	4	.. Elbow, push-in 6 mm to 1/8" BSP

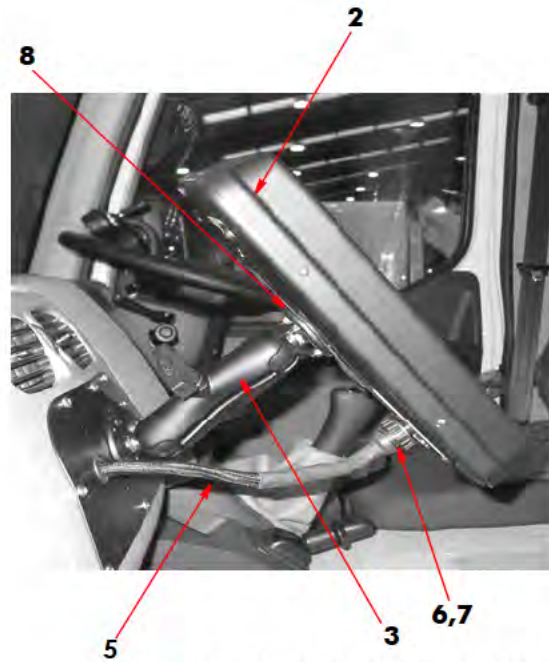
NOTE: *

Please provide machine serial number when ordering replacements.

The brackets/plates used on your sweeper are chassis-specific.

For the widesweep air-pressure regulator and gauge, please refer to Section G of this document.

When ordering replacement parts, always give the machine's Serial Number and specify Part Number, Quantity & Description



CANbus CONTROL PANEL ASSEMBLY



AIR PRESSURE REGULATOR - OPTION

When ordering replacement parts, always give the machine's Serial Number and specify Part Number, Quantity & Description



<i>Item</i>	<i>Part Number</i>	<i>Quantity</i>	<i>Description</i>
			CAB BEACONS
1	014064	1	Beacon, single 24 Volt
NI	011497	as req	. Bulb 24 Volt
2	024174	1	Beacon bar 24 Volt
NI	030563	1	. Motor
NI	011497	as req	. Bulb 24 Volt
NI	031035	1	Beacon bar 58" (xenon)

When ordering replacement parts, always give the machine's Serial Number and specify Part Number, Quantity & Description



CAB BEACONS

When ordering replacement parts, always give the machine's Serial Number and specify Part Number, Quantity & Description



THIS PAGE INTENTIONALLY LEFT BLANK

When ordering replacement parts, always give the machine's Serial Number and specify Part Number, Quantity & Description

**SECTION B
AUXILLIARY ENGINE
& RELATED EQUIPMENT**

Table of Contents

Assembly/Description	Page
Auxiliary Engine	
Engine General Arrangement.	1
FUEL TANK	
Fuel Tank & Associated components.	3
SERVICE KITS (TYPICAL)	
250 Hour Service Kit (First Service)	3
250 Hour Service Kit	3
2000 Hour Service Kit	3



<i>Item</i>	<i>Part Number</i>	<i>Quantity</i>	<i>Description</i>
AUXILIARY ENGINE GENERAL ARRANGEMENT			
1	033194	1	. Cummins QSB3.3 Tier 3A engine
2	033615	1	. . Support cradle, rear
3	033614	1	. . Support cradle, front
4	035357	1	. . Down-pipe, exhaust
5	034372	1	. . . Mounting bracket, exhaust
6	035357	1	. . . Silencer, exhaust
7	035358	1	. . . Tail pipe, exhaust
8	036022	1	. . . Cap, air stack
9	034371	1	. . Air stack
10	033692	1	. . . Support, air stack
11	025550	1	. . . Elbow, rubber, air stack
12	033698	1	. . Heat shield, exhaust
13	033593	1	. Hose
NI	003006	2	. . Hose clip, worm drive, 35 - 50 mm
14	034954	1	. Expansion Bottle Page F1
15	035537	1	. . Bracket, expansion bottle
16	033691	1	. Support, airbox
17	033615	2	. Bracket, engine mount, rear
18	030724	2	. . Engine mount, rear
19	034593	1	. Bracket, fuel filter
20	025103	1	. Filter, high pressure Page F17
21	033614	2	. Bracket, engine mount, front
22	013409	2	. . Engine mount, front
23	033592	1	. Hose
NI	012927	2	. . Hose clip, worm drive, 40 - 55 mm
24	033590	1	. Hose
NI	005112	4	. . Hose clip, worm drive, 55 - 70 mm
25	033594	1	. Air inlet pipe
26	NA	1	. Suction fan & gear pump arrangment..... Page F9
27	025279	1	. Air Box
28	033591	1	. Hose
29	033711	1	. Water/Oil Cooler Page F1
30	033699	1	. Cover, Turbo Unit
NI	033703	1	. . Bracket, turbo unit cover
31	030875	1	. Sender, airbox-blocked
NI	034343	1	. . Elbow, airbox-blocked sender
NI	035694	1	. Cable/hose carrier, front

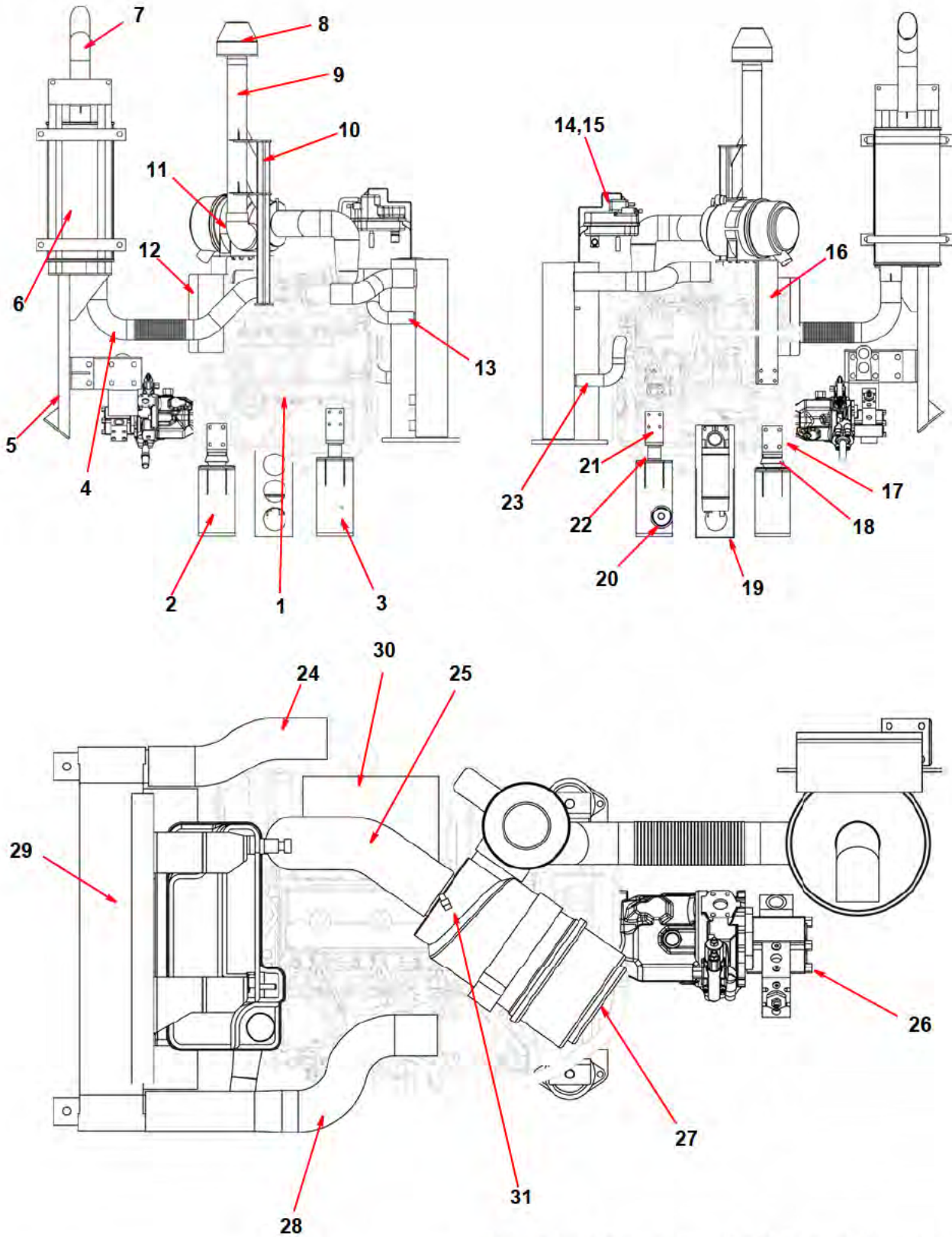
<i>Item</i>	<i>Part Number</i>	<i>Quantity</i>	<i>Description</i>
ADDITIONAL CUMMINS REPLACEMENT COMPONENTS			
NI	TBA *	1	Starter Motor - QSB3.3 Tier 3A Engine
NI	TBA *	1	Alternator - QSB3.3 Tier 3A Engine
NI	TBA *	1	Turbo-charger - QSB3.3 Tier 3A Engine
NI	TBA *	1	Thermostat - QSB3.3 Tier 3A Engine
NI	TBA *	1	Gasket, valve cover - QSB3.3 Tier 3A Engine
NI	TBA *	1	Oil drain plug & gasket - QSB3.3 Tier 3A Engine

NOTE : For component parts relating to the QSB3.3 Tier 3A (Auxiliary Engine) please refer to <https://quickserve.cummins.com/info/qsol/info/registration/matrix.html>

When ordering replacement parts, always give the machine's Serial Number and specify Part Number, Quantity & Description



B



AUXILIARY ENGINE - GENERAL ARRANGEMENT

When ordering replacement parts, always give the machine's Serial Number and specify Part Number, Quantity & Description



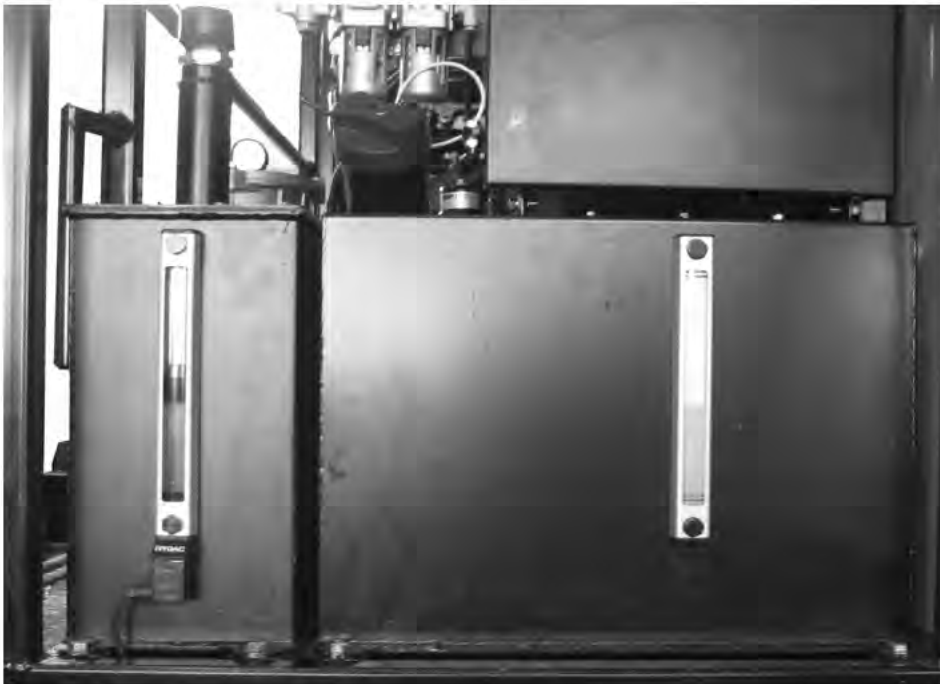
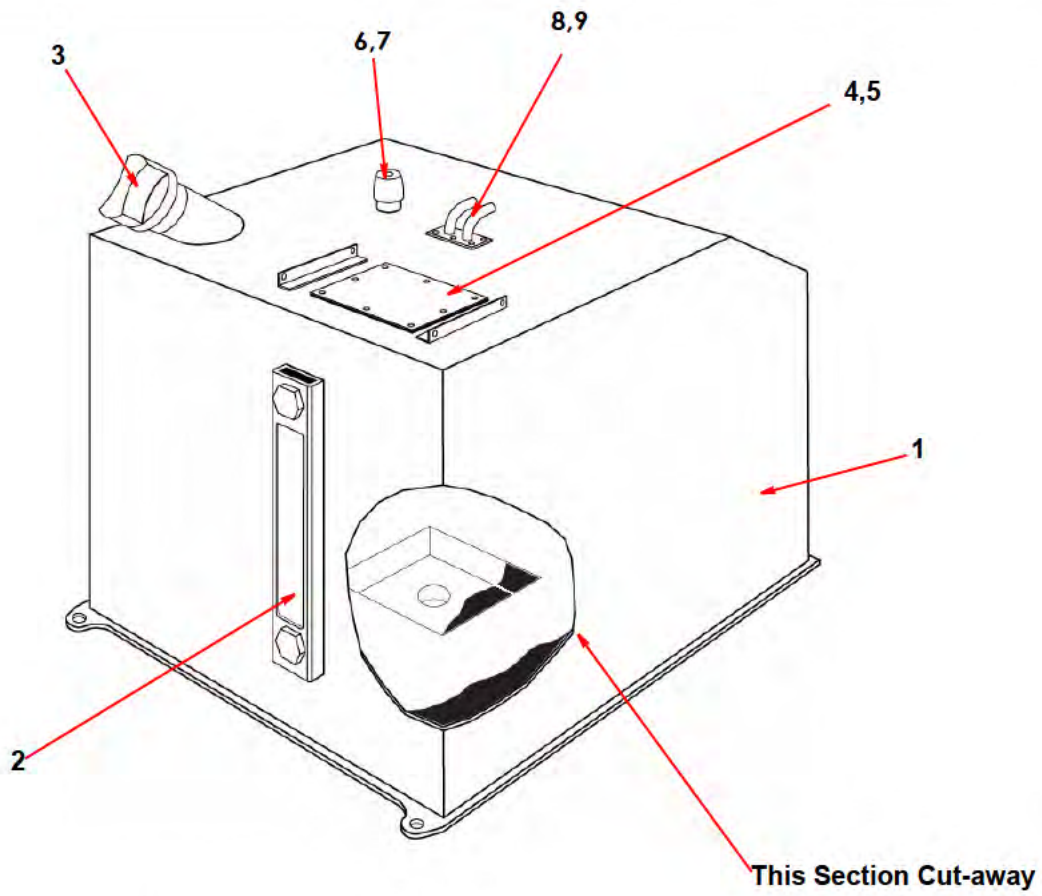
<i>Item</i>	<i>Part Number</i>	<i>Quantity</i>	<i>Description</i>
FUEL TANK & ASSOCIATED COMPONENTS			
1	034324	1	. Fuel Tank 120 Litre
2	032662	1	.. Gauge, fuel level
NI	021979	2	... Washer, rubber
3	033332	1	.. Cap, fuel & key
4	032732	1	.. Inspection cover
5	032733	1	... Gasket (inspection cover)
NI	011067	6	... Bolt, hex hd, M6 x 20 mm Long
6	022688	1	.. Breather
7	020689	1	... Plug, breather
NI	011156	1	... Seal, Dowty, 1" BSP
8	034604	1	.. Fuel feed/return unit
9	031189	1	... Gasket (fuel feed unit)
NI	000142	6	... Screw, cap hd, M4 x 15 mm long
NI	011243	1	.. Plug, 1/2" BSP
NI	011154	1	... Seal, Dowty 1/2" BSP
NI	031150	1	.. Non-return valve, fuel

<i>Item</i>	<i>Part Number</i>	<i>Quantity</i>	<i>Description</i>
AUXILIARY ENGINE - TYPICAL SERVICE KITS			
Components for First Service (250 Hour)			
	034962		
	034959	1	.. Oil filter, engine
	025280	1	.. Air cleaner - Main Element, engine
	034960	1	.. Fuel filter, engine
	036195	1	.. Pre-fuel filter, engine
	013125	1	.. Element, hydraulic tank return filter
	025104	1	.. Element, high-pressure hydraulic filter
	005046	1	.. Lubricant, pneumatic
	005001	2	.. Engine oil, 7.4 litres
	005007	1	.. Grease
250 Hour Service Kit			
	034963		
	034959	1	.. Oil filter, engine
	025280	1	.. Air cleaner - Main Element, engine
	034960	1	.. Fuel filter, engine
	036195	1	.. Pre-fuel filter, engine
	005001	2	.. Engine oil, 7.4 litres
	005007	1	.. Grease
2000 Hour (Annually) Service Kit			
	034964	1	
	034959	1	.. Oil filter, engine
	025280	1	.. Air cleaner - Main Element, engine
	034960	1	.. Fuel filter, engine
	036195	1	.. Pre-fuel filter, engine
	013125	1	.. Element, hydraulic tank return filter
	025104	1	.. Element, high-pressure hydraulic filter
	005046	1	.. Lubricant, pneumatic
	005001	2	.. Engine oil, 7.4 litres
	005007	1	.. Grease
	020687	1	.. Suction filter, hydraulic tank
	005005	25	.. Hydraulic oil
	034961	1	.. Alternator belt

When ordering replacement parts, always give the machine's Serial Number and specify Part Number, Quantity & Description



B



FUEL TANK & ASSOCIATED COMPONENTS

When ordering replacement parts, always give the machine's Serial Number and specify Part Number, Quantity & Description



THIS PAGE INTENTIONALLY LEFT BLANK

When ordering replacement parts, always give the machine's Serial Number and specify Part Number, Quantity & Description

SECTION C
HOPPER, SUBFRAME & RELATED EQUIPMENT

Table of Contents

Assembly/Description	Page
Hopper, Subframe & Gantry - General Arrangement	1
SUBFRAME/GANTRY & ASSOCIATED COMPONENTS	
Subframe/Gantry - General Arrangement	1
Hopper Prop & Bypass Valve Control.	3
HOPPER & ASSOCIATED COMPONENTS	
Hopper General Arrangement	5
Internal Hopper Components	7
Filter Screen Assembly	7
Auto Blanking Arrangement	9
Deflector Flap Assembly	9
Suction Fan Arrangement & Associated Parts	11
Hopper & Rear Door Arrangement	13
Ram & Locking Arrangement	15

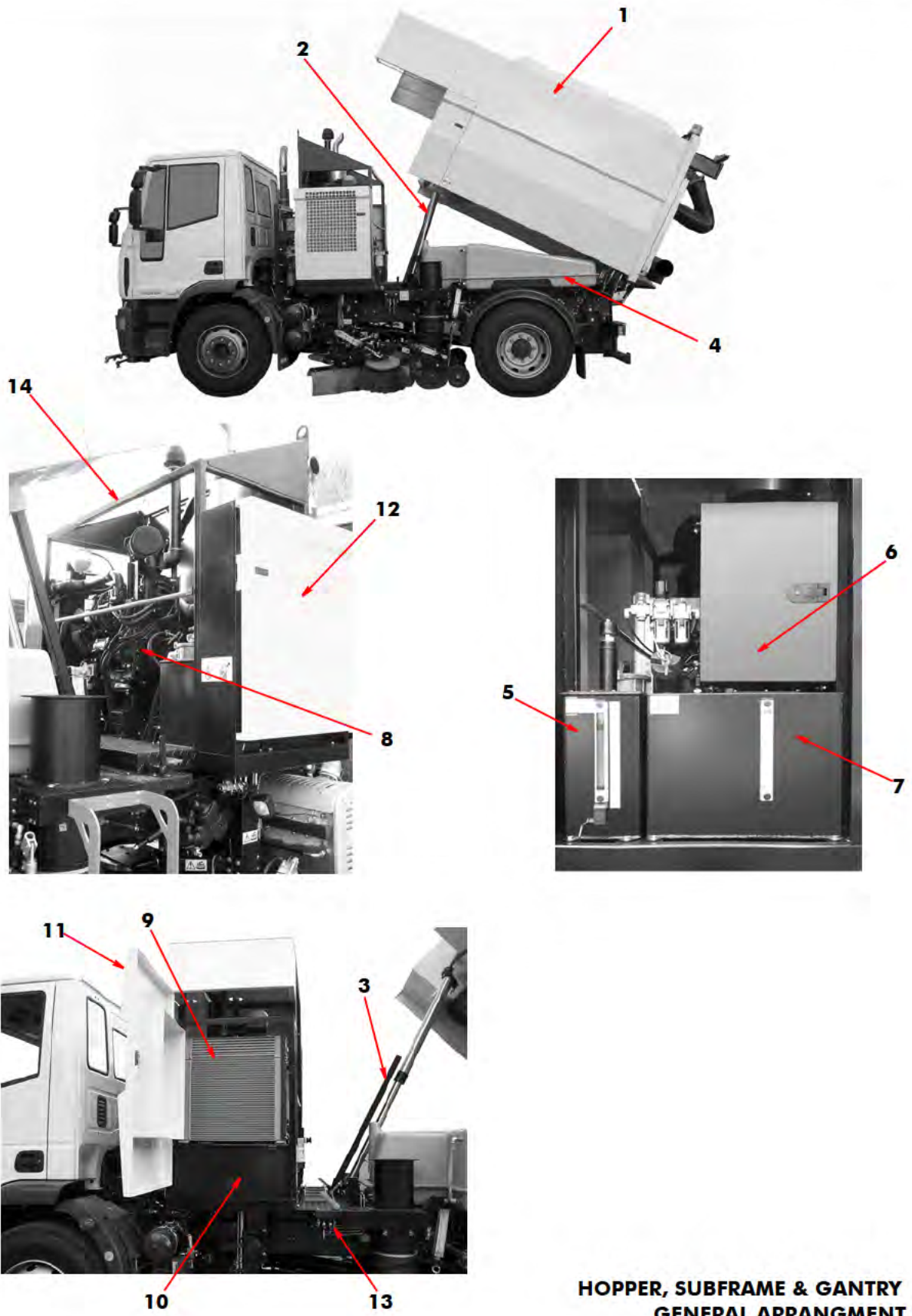
NOTE:

This section does not attempt to cover variations in assemblies such as exhaust gantries or sub-frames. This is because of the many modifications made necessary by differing customer requirements and also as a result of changes introduced by the chassis manufacturers. In the event that spares are required for these assemblies, please contact your nearest Scarab Dealer or the Scarab Parts Department direct, quoting machine serial number.



<i>Item</i>	<i>Part Number</i>	<i>Quantity</i>	<i>Description</i>
GENERAL ARRANGEMENT OF HOPPER/SUBFRAME & GANTRY			
1	034263	1	HOPPERPage C5
2	024249	1	HOPPER LIFTING RAM Page F13
3	034373	1	HOPPER SAFETY PROPPage C3
4	034333	1	WATER TANK Page E7
5	034328	1	OIL TANK, HYDRAULIC Page F3
6	034326	1	ENCLOSURE, (NODE/PNEUMATIC CONTROL VALVE) Page H1
7	034324	1	TANK, FUEL Page B3
8	033194	1	AUXILIARY ENGINE Page B1
9	033711	1	OIL/WATER COOLER Page F1
10	SEE REF	1	ENCLOSURE, (HYDRAULIC VALVES) Page F5
11	034283	1	DOOR, GANTRY LH
NI	034284	1	DOOR, GANTRY RH
13	034264	1	SUBFRAME
14	034282	1	FRONT SUBFRAME

When ordering replacement parts, always give the machine's Serial Number and specify Part Number, Quantity & Description

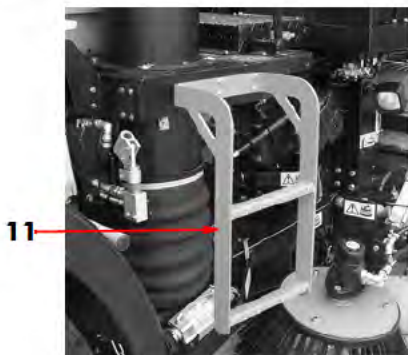
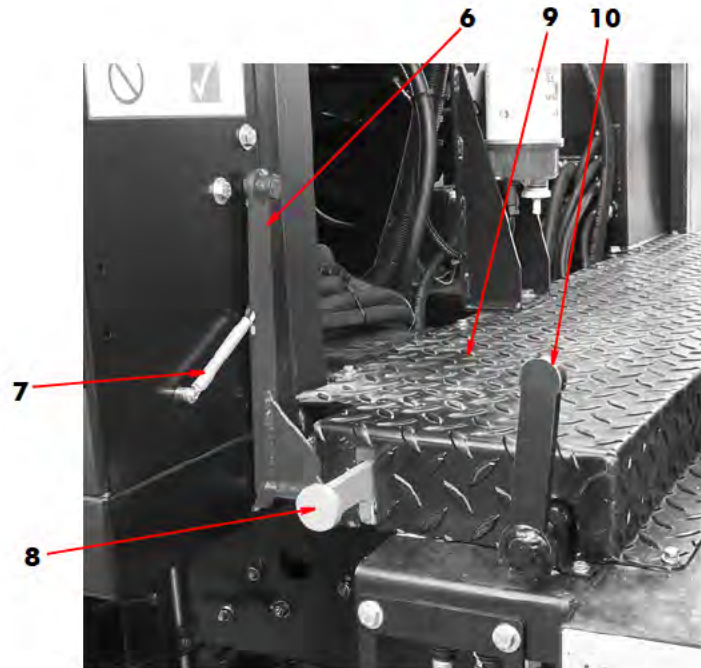
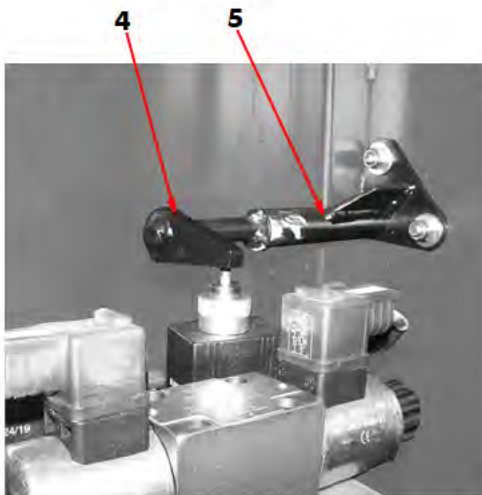
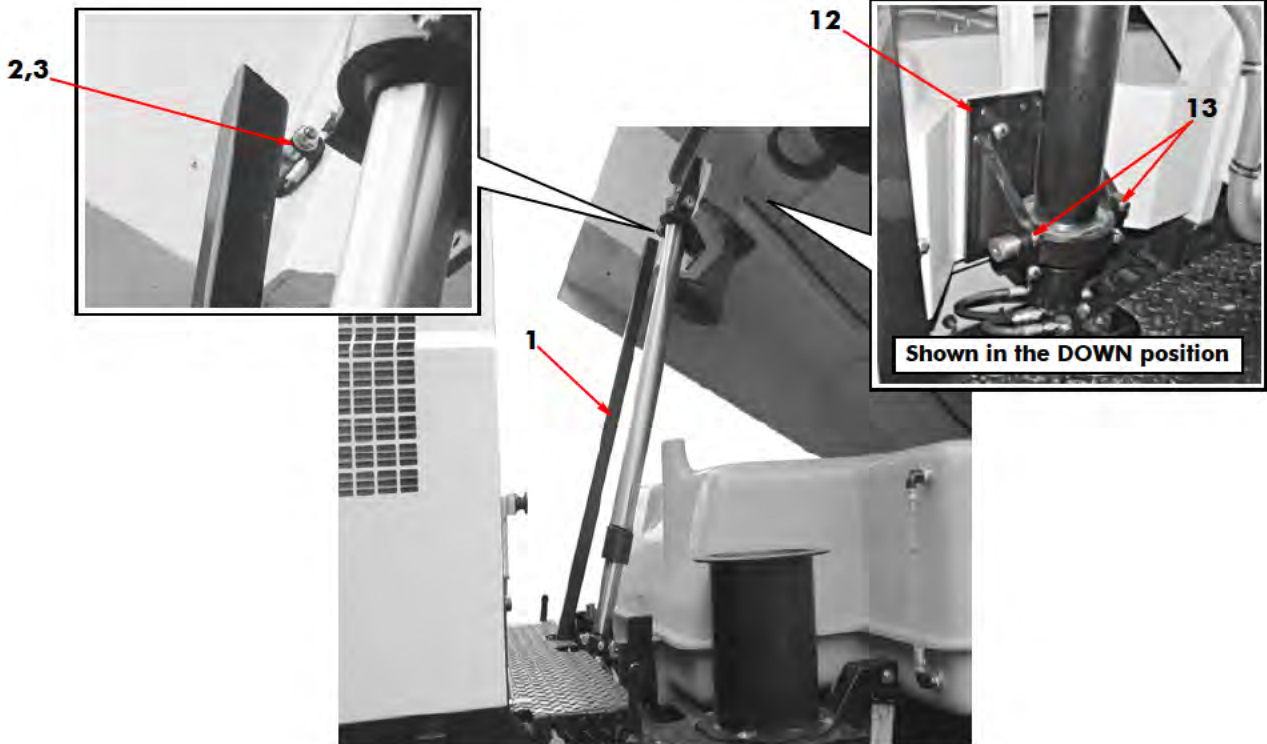


When ordering replacement parts, always give the machine's Serial Number and specify Part Number, Quantity & Description



<i>Item</i>	<i>Part Number</i>	<i>Quantity</i>	<i>Description</i>
MANUAL HOPPER SAFETY PROP & BYPASS VALVE CONTROL			
1	034373	1	. Hopper safety prop
NI	036240	1	.. Spacer
	011133	1	.. Bolt, hex hd, M16 x 100 mm long
	011060	1	.. Nut, hex, Nyloc, M16
2	034379	1	.. Bracket, prop guide
3	011711	1	.. Runner, prop guide
	011039	1	... Bolt, hex hd, M10 x 100 mm long
	011075	1	... Nut, hex, Nyloc, M10
	011067	2	... Setscrew, hex hd, M6 x 25 mm long
	011090	4	... Washer, 6 mm
	011094	2	... Nut, Nyloc, M6
4	034742	1	. Actuator, bypass valve
5	035612	1	.. Mounting, bypass valve actuator
	011010	2	... Setscrew, hex hd, M8 x 20 mm long
	011092	4	... Washer, 8 mm
	011073	2	... Nut, hex, Nyloc, M8
6	034741	1	.. Link arm, bypass valve
7	020797	1	... Spring, link arm
	013344	1 Spacer, spring
	000038	1 Screw, cap hd, M6 x 25 mm long
	011090	1 Washer, 6 mm
	011071	1 Nut, hex, M6
8	034740	1	Bypass valve push rod
NI	035613	3	. Bypass valve rod runner
	011067	6	.. Setscrew, hex hd, M6 x M20
	011090	6	.. Washer, M6
9	034380	1	Floor plate
	011087	12	.. Setscrew, hex hd, M6 x 25 mm long
	011090	12	.. Washer, M6
10	034377	1	Safety prop release lever
NI	034378	4	. Release lever clamp
	011067	8	.. Setscrew, hex hd, M6 x 20 mm long
11	034766	1	Access ladder
	011011	6	.. Setscrew, hex hd, M8 x 25 mm long
	011092	12	.. Washer, M8
	011073	6	.. Nut, Nyloc, M8
12	035622	1	Ram pivot bracket
	011043	6	. Setscrews, hex hd, M10 x 70 mm long
	011094	12	. Washer, M10
	011094	6	. Nut, Nyloc, M10
13	034395	2	. Ram pivot retaining bar
	011034	4	.. Setscrew, hex hd, M10 x 40 mm long
	011095	4	.. Spring washer, M10

When ordering replacement parts, always give the machine's Serial Number and specify Part Number, Quantity & Description



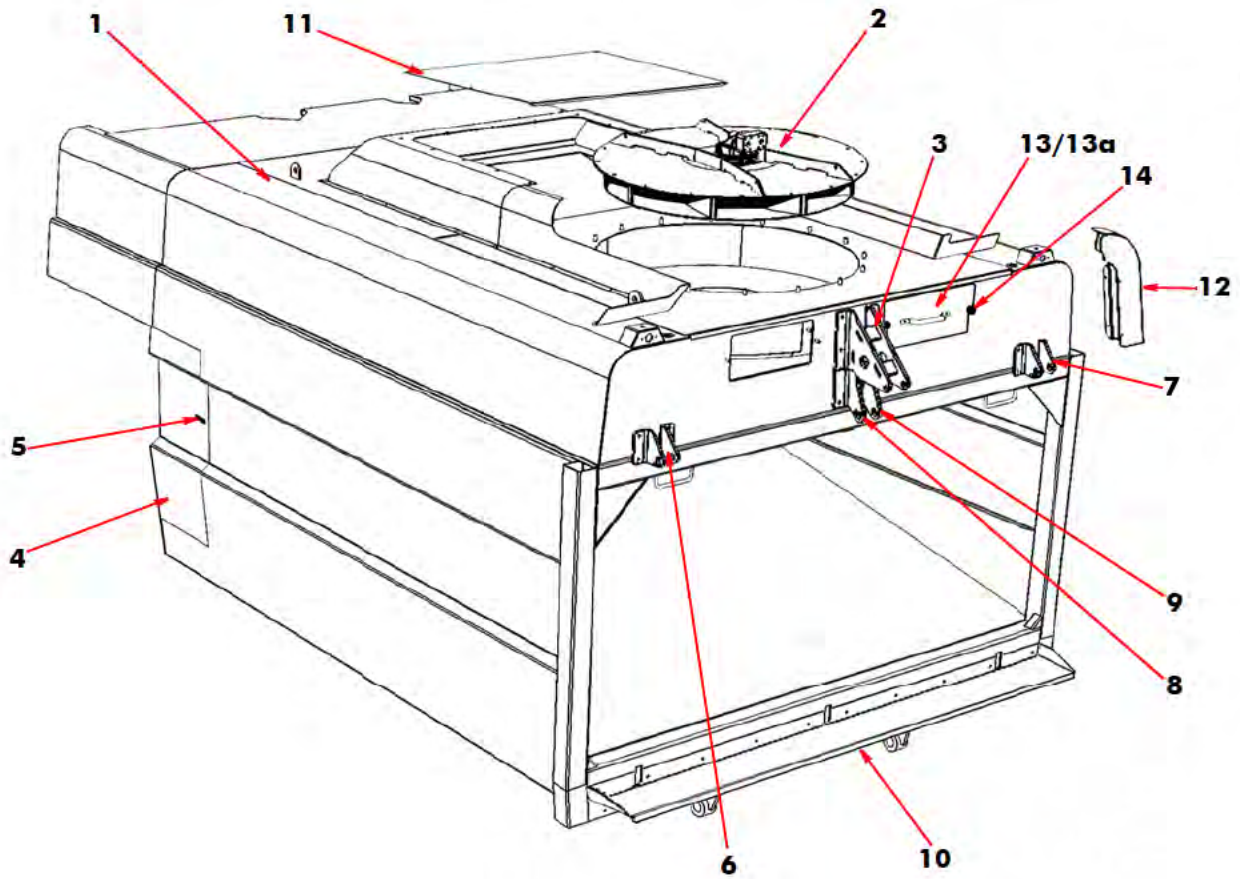
MANUAL HOPPER SAFETY PROP & BYPASS VALVE CONTROL

When ordering replacement parts, always give the machine's Serial Number and specify Part Number, Quantity & Description



<i>Item</i>	<i>Part Number</i>	<i>Quantity</i>	<i>Description</i>
HOPPER - GENERAL ARRANGEMENT			
1	034263	1	. Hopper Body
2	025564	1	.. SUCTION FAN ASSEMBLYPage C11
3	034309	1	.. Hinge bracket, door ram
	011032	8	... Setscrew, hex hd, M10 x 30 mm long
	011075	8	... Nut, M10 Nyloc
	011094	16	... Washer, 10 mm
4	034290	1	.. Locker door LH
NI	034291	1	.. Locker door RH
NI	034809	4	... Hinge, locker door
5	035662	As Req	... Latch, locker door
6	034310	2	.. Door hinge, outer LH
	011032	4	... Setscrew, hex hd, M10 x 30 mm long
	011075	4	... Nut, M10 Nyloc
	011094	4	... Washer, M10
7	034311	2	.. Door hinge, outer, RH
	011032	4	... Setscrew, hex hd, M10 x 30 mm long
	011075	4	... Nut, M10 Nyloc
	011094	8	... Washer, M10
8	035709	1	.. Door hinge. centre, LH
	011032	2	... Setscrew, hex hd, M10 x 30 mm long
	011075	2	... Nut, M10 Nyloc
	011094	4	... Washer, M10
9	035710	1	.. Door hinge. centre. RH
	011032	2	... Setscrew, hex hd, M10 x 30 mm long
	011075	2	... Nut, M10 Nyloc
	011094	4	... Washer, M10
10	034337	1	.. Chute, discharge
	000257	10	... Setscrew, hex hd, M8 x 25 mm long, St S ^t
	000262	10	... Nut, M8 Nyloc, St S ^t
	000264	20	... Washer, M8, St S ^t
11	035797	1	.. Cover, hopper
	011001	13	... Setscrew, hex hd, M6 x 16 mm long
	011090	13	... Washer, M6
12	034729	1	.. End cover RH
NI	034728	1	.. End cover LH
13	030728	2	.. Inspection cover, outer
13a	010502	2	... Handle
14	000248	2	... Grip nut with brass insert, M8

When ordering replacement parts, always give the machine's Serial Number and specify Part Number, Quantity & Description



HOPPER ARRANGEMENT

SCREENS & REAR DOOR OMITTED TO AID CLARITY

When ordering replacement parts, always give the machine's Serial Number and specify Part Number, Quantity & Description

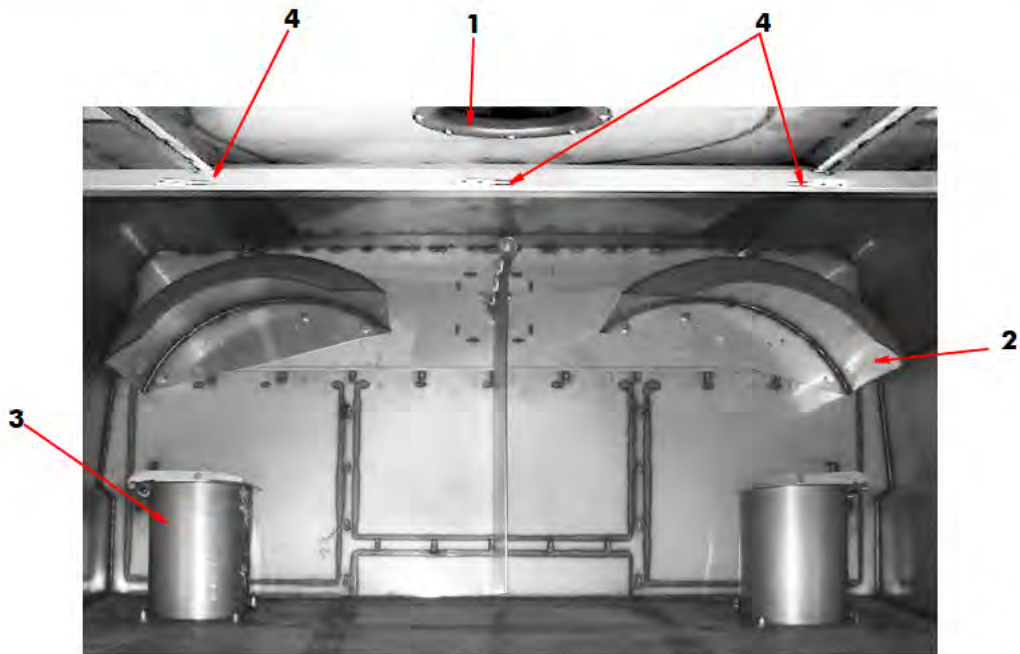


<i>Item</i>	<i>Part Number</i>	<i>Quantity</i>	<i>Description</i>
HOPPER INTERNAL COMPONENTS			
1	024790	1	. Cone, inlet, suction fan
2	022644	As Req	. Deflector, universal
2	035280	As req	. Deflector, universal, PU coated (Option)
	011055	As Req	. . Bolt, hex hd, M12 x 65 mm long
	011051	As Req	. . Setscrew, hex hd, M12 x 25 mm long
	011077	As Req	. . Nut, M12 Nyloc
3	034367	As Req.	Deflector tube
3	035280	As Req	. Deflector tube, PU coated (Option)
4	025245	3	. Hinge points
NI	013506	2	. Linch pin post
	011075		. . Nut, Nyloc, M10

<i>Item</i>	<i>Part Number</i>	<i>Quantity</i>	<i>Description</i>
FILTER SCREEN ASSEMBLY			
1	024668	1	. Filter screen
2	035645	1	. . Screen latch
	011032	2	. . . Setscrew, hex hd, M10 x 30 mm long
	011075	2	. . . Nut, Nyloc, M10
NI	013507	2	. Linch pin & chain

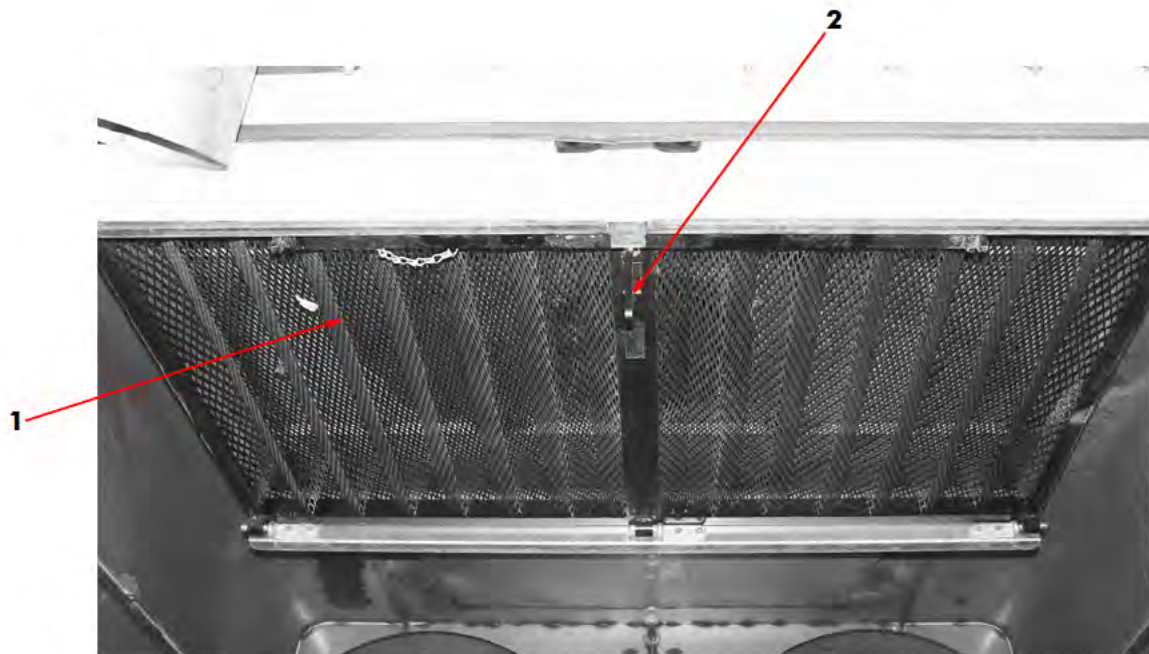
NOTE: FOR REAR DOOR AND ASSOCIATED PARTS REFER TO PAGE 13

When ordering replacement parts, always give the machine's Serial Number and specify Part Number, Quantity & Description



HOPPER INTERNAL COMPONENTS

Screen filters removed for clarity.



FILTER SCREEN

When ordering replacement parts, always give the machine's Serial Number and specify Part Number, Quantity & Description



Item	Part Number	Quantity	Description
AUTO BLANKING - ARRANGEMENT (PER SIDE)			
1	021514	1	. Flap, blanking
2	021517	1	.. Arm L.H.
NI	021518	1	.. Arm R.H.
3	034397	2	... Flap lever, RH
NI	034396	2	... Flap lever, LH
NI	013488	4	... Bush
4	021467	2	... Pneumatic cylinder
NI	024646	3 Elbow, 6 mm x 1/4" BSP
NI	021158	2 Regulator, air flow
NI	021560	2	. Seal kit (pneumatic cylinder)
5	014469	2	... Clevis M12 x 1.25
6	023270	2 Pin, clevis
10	023269	2 Safety fastener
7	014457	2	... Bracket, cylinder mounting
8	024650	As Req	.. Tubing, air, flexible nylon, 6 mm Superflex
NI	034860	1	. Guard

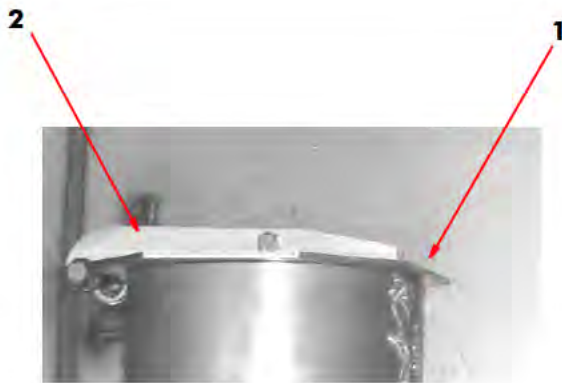
NOTE:

Items listed in the foregoing parts list are identical for both LH and RH blanking assemblies, except where identified specifically to one side only.

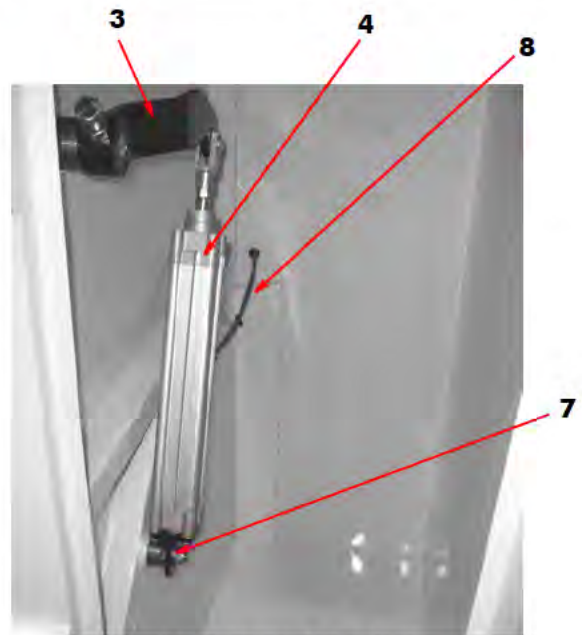


Item	Part Number	Quantity	Description
DEFLECTOR FLAP ASSEMBLY			
1	030535	1	. Deflector flap
1	034953	1	. Deflector flap, PU coated (Option)
2	030536	1	. Mounting Bar
	011032	3	... Setscrew, hex hd, M10 x 30 mm
	011075	3	... Nut, Nyloc, M10
	011094	3	... Washer M10
3	030537	1	.. Locking ring
	011031	1	... Setscrew, hex hd, M10 x 25 mm
	011095	1	... Washer, spring M10

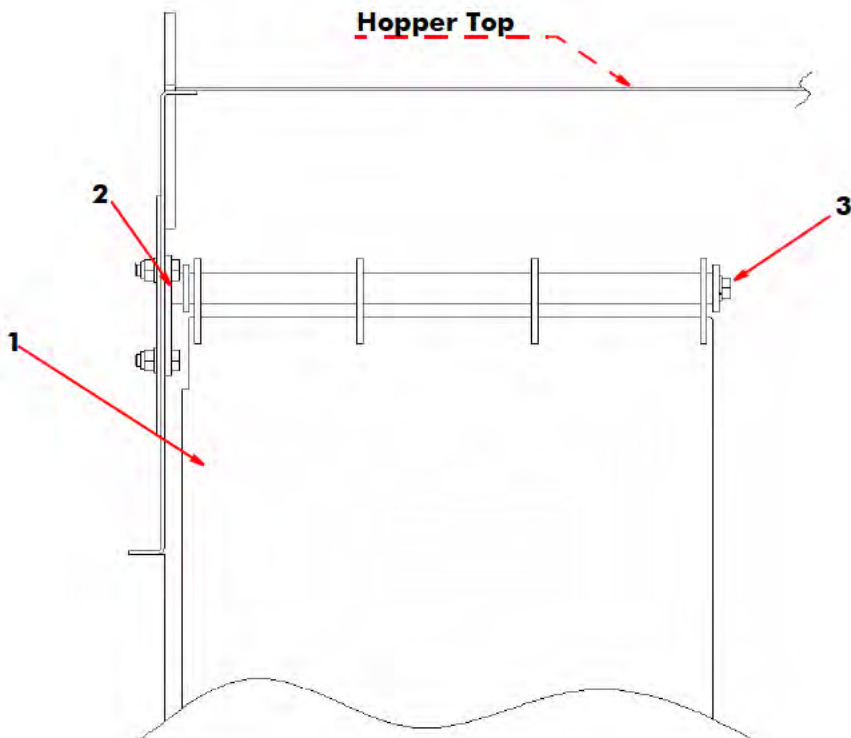
When ordering replacement parts, always give the machine's Serial Number and specify Part Number, Quantity & Description



AUTO-BLANKING ARRANGEMENT



Guard Removed For Clarity



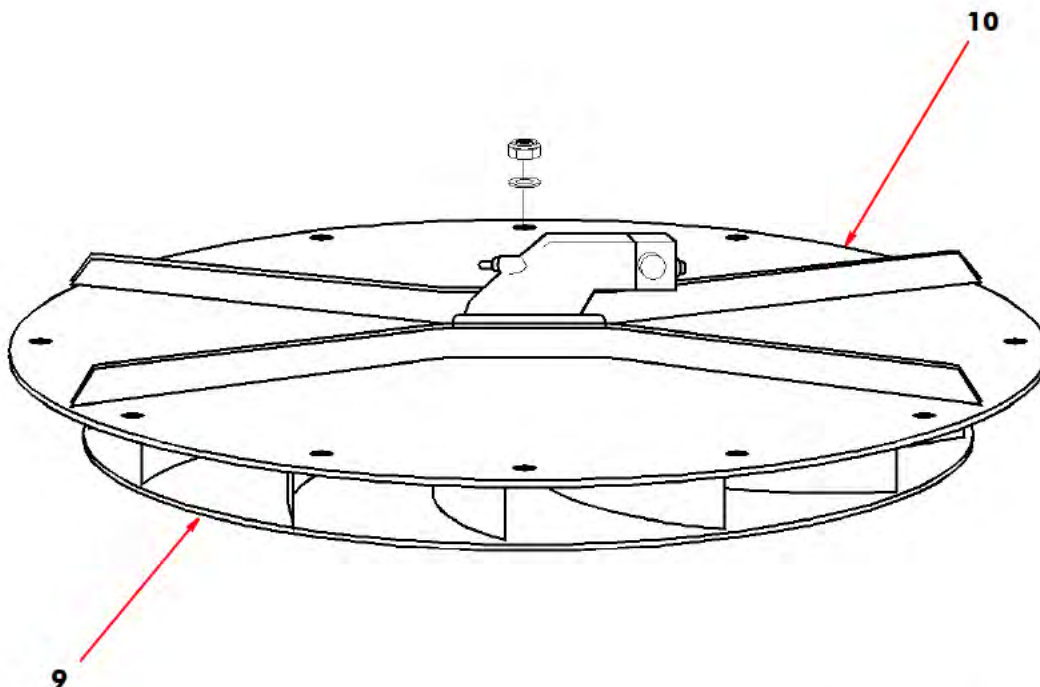
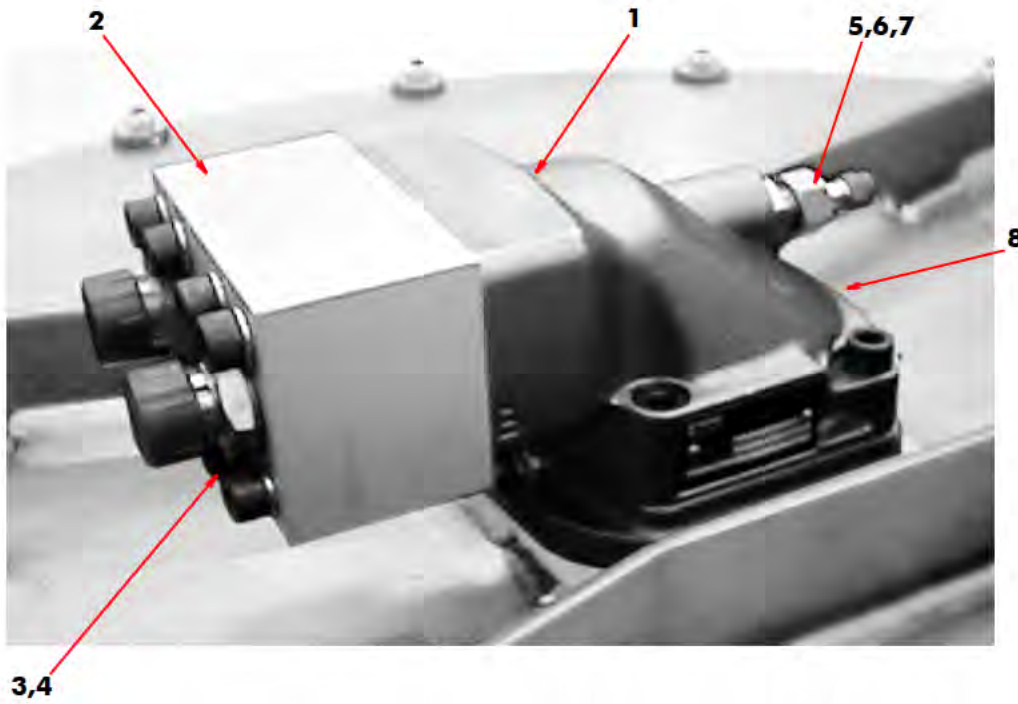
HOPPER DEFLECTOR FLAP ASSEMBLY

When ordering replacement parts, always give the machine's Serial Number and specify Part Number, Quantity & Description



<i>Item</i>	<i>Part Number</i>	<i>Quantity</i>	<i>Description</i>
SUCTION FAN ARRANGEMENT			
1	024641	1	. . Motor, Voac F12-030-MF-CH-K Page F9
NI	027237	1	. . . Seal kit, for 024641 Voac Fan Motor
NI	000048	4	. . . Screw, skt hd, M10 x 80 mm long
NI	011095	4	. . . Washer, spring 10 mm
2	025390	1	. . Valve block
3	011151	2	. . Adaptor, straight, $\frac{3}{4}$ " BSP
4	011155	2	. . Seal, Dowty, $\frac{3}{4}$ " BSP
5	011248	1	. . . Adaptor, M18 x $\frac{3}{8}$ " BSP
6	011247	1	. . . Seal, Dowty, M18
NI	011172	1	. . Elbow, swivel, $\frac{3}{8}$ " BSP
7	010921	1	. . Hose stem $\frac{3}{8}$ " x $\frac{3}{8}$ " BSP
	010928	1	. . Nut, hex, brass, $\frac{3}{8}$ " BSP
8	002076	1	. . Plug M12 x 1
9	025241	1	. Impellor
10	024679	1	. Fan plate
NI	011424	16	. . Washer, 10 mm $\frac{3}{8}$ "
NI	011075	16	. . Nut, hex, M10, Nyloc
NI	013514	1	. Fan scraper (Mounted in cab or side locker/toolbox)
NI	013631	2	. . Clip, Firtree

When ordering replacement parts, always give the machine's Serial Number and specify Part Number, Quantity & Description



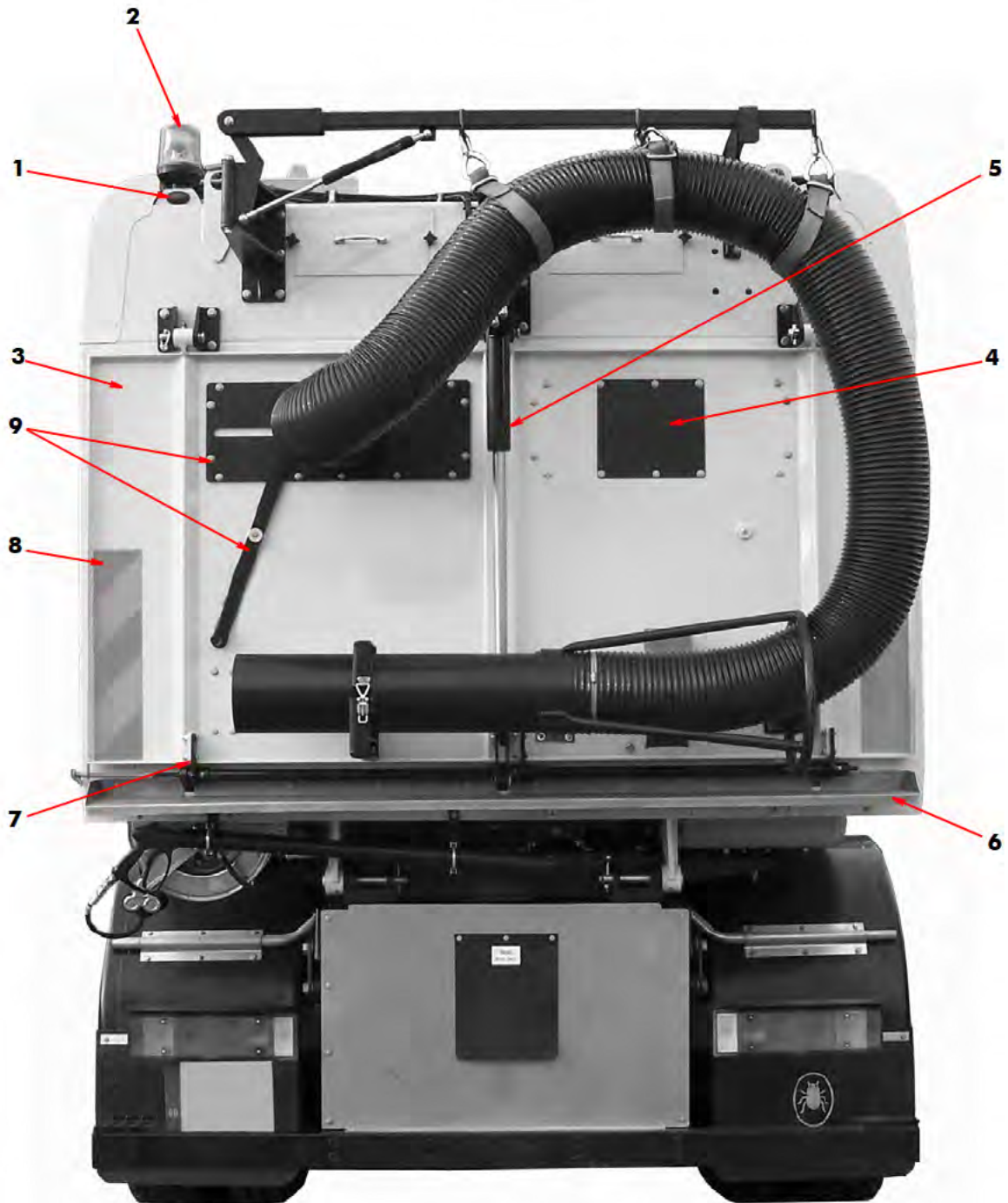
SUCTION FAN ARRANGEMENT

When ordering replacement parts, always give the machine's Serial Number and specify Part Number, Quantity & Description



<i>Item</i>	<i>Part Number</i>	<i>Quantity</i>	<i>Description</i>
HOPPER REAR DOOR ARRANGEMENT			
1	030773	2	. . Marker light. LED
2	014064	1	. . Beacon, 24 Volt
3	034298	1	. Rear door
4	034304	1	. . Blanking plate
5	034816	1	. . RAM, HYDRAULIC. Page F15
6	034337	1	. . Chute, discharge
NI	035285	As Req	. . . Spacer, discharge chute
7	034317	1	. . LOCKING ASSEMBLY, REAR DOOR. Page C15
8	022389	2	. . Marker plate
9	SEE REF	1	. . MANUAL BLANKING ARRANGEMENT, REAR BOOM Page D15
NI	010998	As Req	. . Hose. layflat
NI	012931	1	. . . Jubilee clip
NI	030481	1	. . Seal

When ordering replacement parts, always give the machine's Serial Number and specify Part Number, Quantity & Description



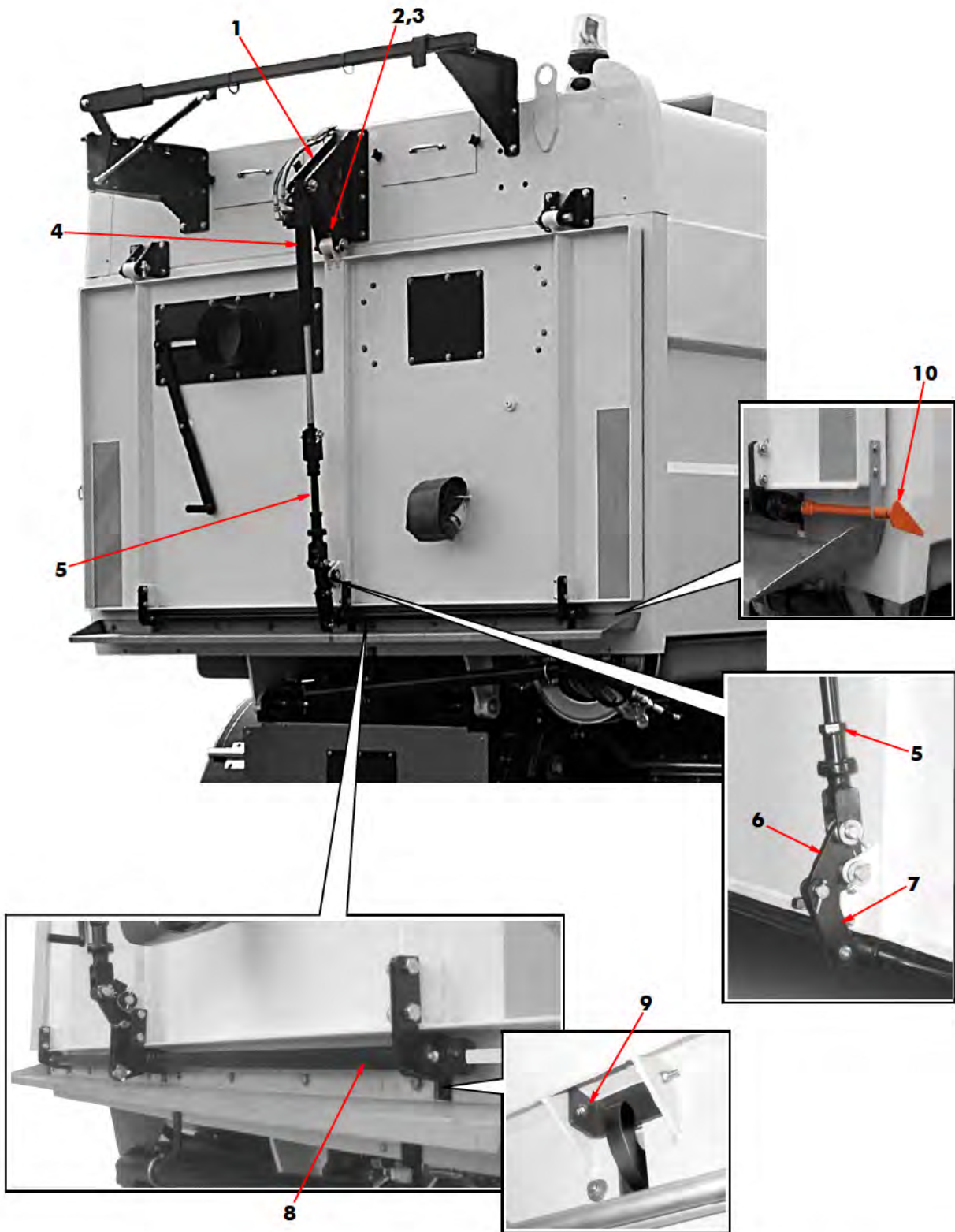
HOPPER & REAR DOOR ARRANGEMENT

When ordering replacement parts, always give the machine's Serial Number and specify Part Number, Quantity & Description



<i>Item</i>	<i>Part Number</i>	<i>Quantity</i>	<i>Description</i>
RAM & LOCKING ARRANGEMENT, REAR DOOR OPENING			
1	034309	1	Hydraulic Ram Hinge
	011032	8	. Setscrew, Hex Hd, M10 x 30mm Long
	011074	16	. Washer, M10
	011075	8	. Nut, Nyloc, M10
2	035709	1	Centre Door Hinge. LH
	011032	8	. Setscrew, Hex Hd, M10 x 30mm Long
	011074	16	. Washer, M10
	011075	8	. Nut, Nyloc, M10
3	035710	1	Centre Door Hinge. RH
	011032	2	. Setscrew, Hex Hd, M10 x 30mm Long
	011074	4	. Washer, M10
	011075	2	. Nut, Nyloc, M10
NI	034310	1	. Outer Hinge LH
	011032	2	. Setscrew, Hex Hd, M10 x 30mm Long
	011074	4	. Washer, M10
	011075	2	. Nut, Nyloc, M10
NI	034311	1	Outer Hinge RH
	011032	2	. Setscrew, Hex Hd, M10 x 30mm Long
	011074	4	. Washer, M10
	011075	2	. Nut, Nyloc, M10
NI	013051	3	. Hinge Pin
NI	011102	3	. . Washer, M20
NI	013053	3	. . Cotter Pin
4	034816	1	Hydraulic Ram Page F13
5	034316	1	. Thrust Bar
6	034314	1	. Locking Cam
7	034315	2	. Push Link
8	034317	1	Locking Bar Assembly
9	034322	3	. Wear Plate
10	035654	1	. Locking Flag

When ordering replacement parts, always give the machine's Serial Number and specify Part Number, Quantity & Description



REAR DOOR LOCKING & OPENING ARRANGEMENT

When ordering replacement parts, always give the machine's Serial Number and specify Part Number, Quantity & Description



THIS PAGE INTENTIONALLY LEFT BLANK

When ordering replacement parts, always give the machine's Serial Number and specify Part Number, Quantity & Description

SECTION D
SWEEPING, SUCTION AND ASSOCIATED EQUIPMENT

Table of Contents

Assembly/Description	Page
SWEEPING EQUIPMENT	
Side Brush Arrangement (Hydraulic lift)	1
Wide-Sweep Arrangement	5
SUCTION EQUIPMENT	
Suction Nozzle Arrangement	9
Suction Spigots	11
Suction Nozzles - Pneumatic Lifting Arrangement	11
Optional Rear-mounted Wander Boom Arrangement	13
Rear Blanking Assembly (Used with Wander Boom)	15

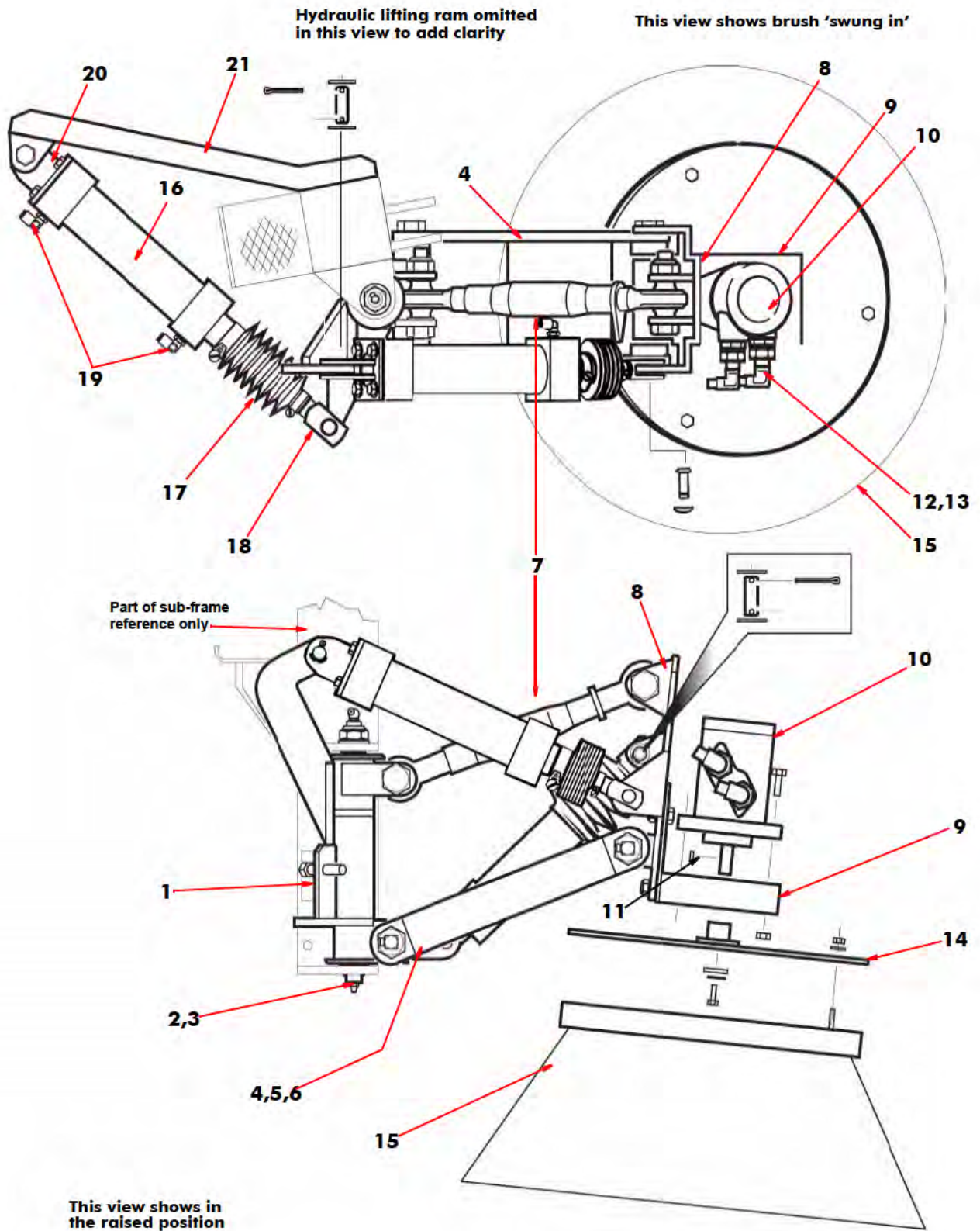


Item	Part Number	Quantity	Description
SIDE-BRUSH ARRANGEMENT - HYDRAULIC LIFT TYPE			
1	023120	1	. Kingpost, LH
NI	023124	1	. Kingpost, RH
2	013007	1	.. Kingpin
3	013012	2	... Bush, Plastic, Kingpin
4	014801	1	. Link, Lower
	014796*	2	.. Bolt, Hex Hd, pivot, M16 (Special Bolt with Grease Nipple)
	014798*	2	.. Washer, 24 x 40 x 3
	014797*	2	.. Washer, 17 x 40 x 3
	011060*	2	.. Nut, Nyloc, M16
5	013012*	4	.. Bush
6	014799*	4	.. Sleeve, Spacer
7	013011	1	. Link, Top (Turnbuckle)
	011140	2	.. Bolt, Hex Hd, M18 x 90 mm Long
	011138	2	.. Washer, M18
	011139	2	.. Nut, Nyloc, M18
8	023121	1	. Plate, Swivel
9	010007	1	. Brkt, Hydraulic Motor
10	010749	1	.. MOTOR, HYDRAULIC, DANFOSS OMP200 Page F11
	011069	2	... Setscrew, Hex Hd, M12 x 40 mm Long
	011077	2	... Nut, Nyloc, M12
11	011515	1	... Key, Motor Shaft
NI	023069	As Req	... Seal Kit, Danfoss Motor
12	011167	2	... Adaptor, 1/2" x 3/8" BSP
13	011154	2	... Seal, Dowty 1/2" BSP
14	014067	As Req	. Hub, Side Brush, 3 Holes
15	023473	1	... Brush, Side, Steel, Plastic Top, 400 mm dia
	011094	3	... Plain Washer 10mm
	011075	3	... Nut, Nyloc, M10
16	020298	1	. CYLINDER, PNEUMATIC, 50 mm x 160 mmPage G9
17	023111	1	.. Bellows
18	020299	1	.. Clevis, M16 X 1.5 (c/w pin)
19	014468	2	.. Elbow, Push Fit, 1/4" BSP x 6mm Tube
20	020534	1	. Brkt, Pivot, Cylinder Mounting
	000136	4	... Capscrew, Skt Hd, M8 x 16 mm Long
	011093	4	... Washer, Spring, 8 mm
	011260	1	... Bolt, Hex Hd, M16 x 70 mm Long
	011060	1	... Nut, Hex, M16
NI	021652	1	.. Seal Kit, Pneumatic Cylinder
21	021519	1	. Brkt, LH
NI	021520	1	. Brkt, RH
	011407	2	.. Bolt Hex Hd M10 x 120 mm Long
	011075	2	.. Nut, Nyloc, M10
22	010112	1	. Nozzle, Water Spray
23	012926	1	.. Tip, Spray nozzle, LF6-80
24	011152	1	.. Seal, Dowty, 1/4" BSP
25	010589	1	. Brkt, LH, Spray Nozzle
NI	010249	1	. Brkt, RH, Spray Nozzle
	011031	1	... Setscrew, M10 x 25 mm Long
	011075	1	... Nut, Nyloc, M10
26	010910	1	.. Elbow, M/F, galvanised, 1/4" BSP
27	011743	1	.. Valve, Ball, 1/4" BSP

NOTE: * These Items Comprise the Lower Link Bush Kit 024611

Continued ...

When ordering replacement parts, always give the machine's Serial Number and specify Part Number, Quantity & Description



D

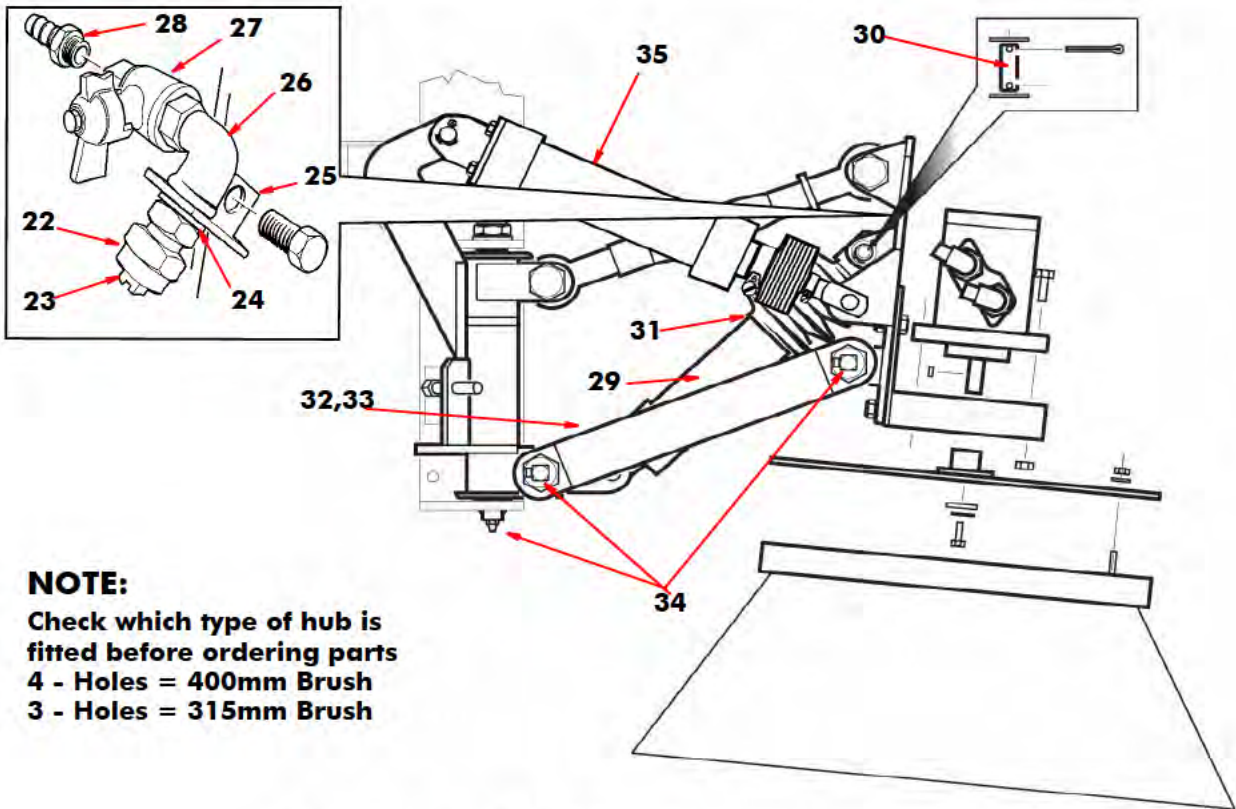
SIDE-BRUSH ARRANGEMENT (HYDRAULIC LIFT)

When ordering replacement parts, always give the machine's Serial Number and specify Part Number, Quantity & Description



<i>Item</i>	<i>Part Number</i>	<i>Quantity</i>	<i>Description</i>
SIDE-BRUSH ARRANGEMENT - HYDRAULIC LIFT (Continued)			
28	010922	As Req	. . Hose Tail, 1/4" BSP x 3/8" Hose
29	024539	1	. RAM, HYDRAULIC (RAISE/LOWER)..... Page F13
NI	012539	1	. . Restrictor No5 (024539 Ram)
30	010067	2	. . Pin, Ram Pivot, 20 mm Ø x 50mm Long
	011103	2	. . . Washer, 20 mm
	011122	2	. . . Pin, Split, Cotter, 3/16" x 1 1/2" Long
31	021510	1	. . Bellows
32	011158	2	. . Adaptor, 1/4" BSP
33	011171	2	. . Elbow, 1/4" BSP
NI	011629	1	. . Seal Kit, Hydraulic Ram
34	010903	4	. Nipple, Grease, Straight, 1/8" BSP
35	023370	1	.CYLINDER, PNEUMATIC, (Brush Pressure).(OPTION)..... Page F11
	010067	1	. . Pin, 20 mm Ø x 50mm Long
	011103	2	. . . Washer, 20 mm
	011122	1	. . . Pin, Split, Cotter, 3/16" x 1 1/4" Long

When ordering replacement parts, always give the machine's Serial Number and specify Part Number, Quantity & Description



NOTE:

Check which type of hub is fitted before ordering parts
4 - Holes = 400mm Brush
3 - Holes = 315mm Brush

This view shows in the assembly in the raised position

SIDE-BRUSH ARRANGEMENT (HYDRAULIC LIFT)
LH illustrated, RH similar

When ordering replacement parts, always give the machine's Serial Number and specify Part Number, Quantity & Description



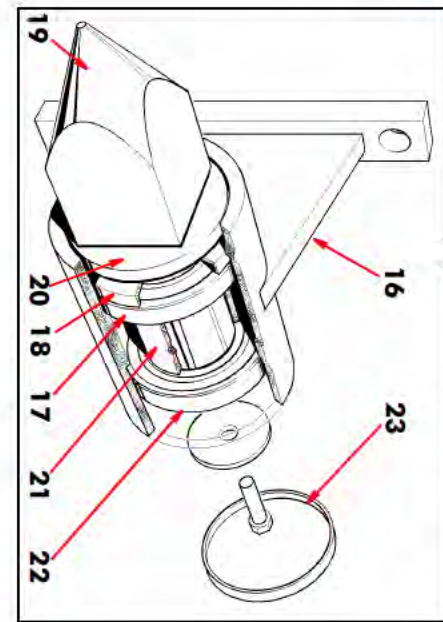
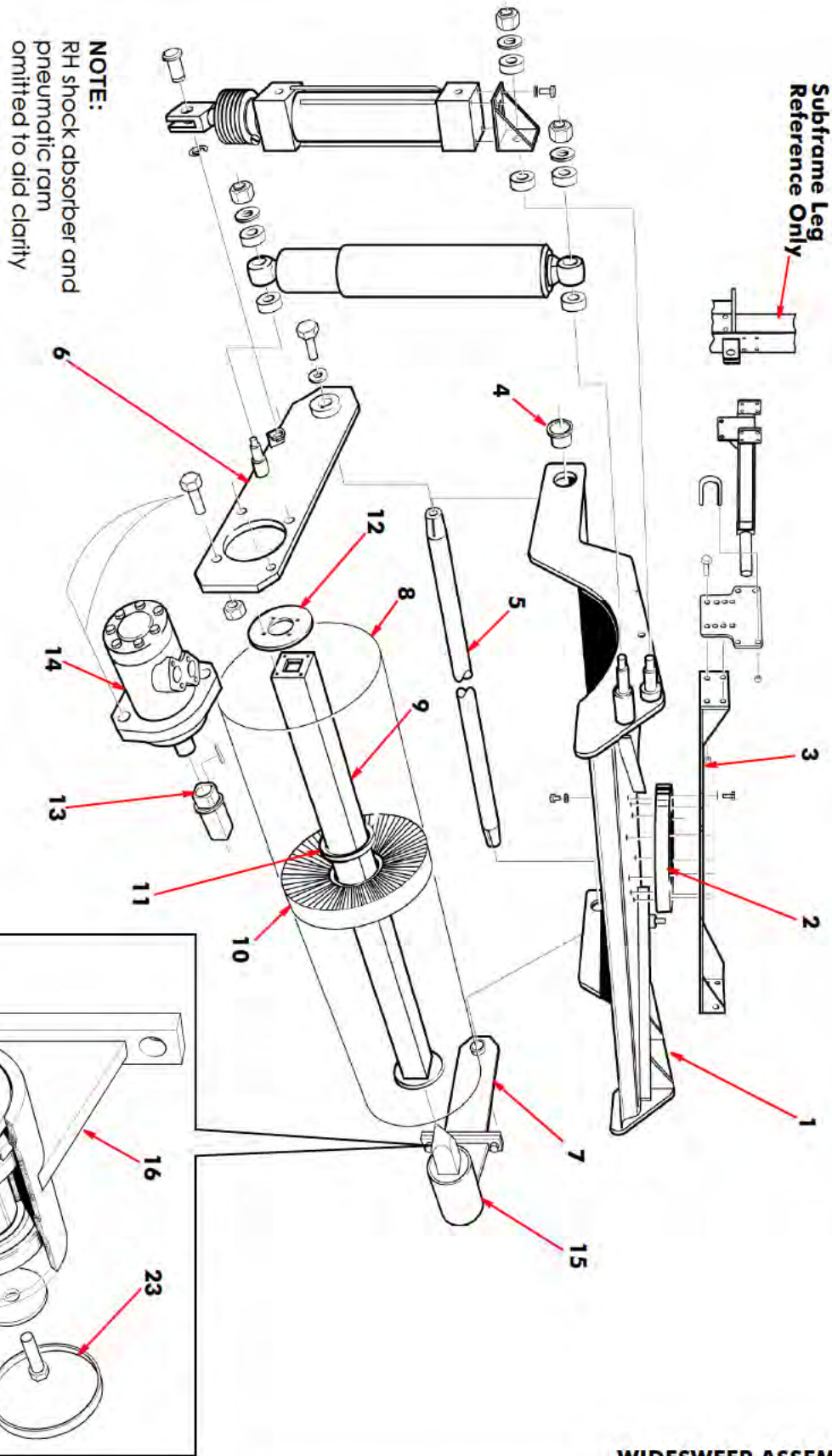
Item	Part Number	Quantity	Description
WIDE SWEEP ASSEMBLY			
1	020725	1	. Cover, wide-sweep
2	020919	1	.. Ring, adaptor
	011031	8	... Setscrew, hex hd, M10 x 25 mm long
	011095	8	... Washer, spring, 10 mm
3	024155	1	.. Support, wide sweep
	011031	8	... Setscrew, hex hd, M10 x 25 mm long
	011095	8	... Washer, spring, 10 mm
4	020729	2	.. Bush
5	023080	1	.. Shaft, tapered, wide-sweep pivot
	013439	2	... Washer, plain, 50 x 16.5 x 5
	011141	2	... Bolt, Hex Hd, M16 x 35 mm long
NI	013292	2	... Key
6	023077	1	.. Plate, motor, LH
7	023078	1	.. Plate, motor, RH
8	023169	1	. Brush, wide-sweep
9	013646	1	.. Core, wide-sweep brush *
10	023474	33	.. Brush refill, large, 400 mm
11	023472	32	.. Spacer
12	013649	1	.. Plate, end *
	011417	4	... Capscrew, csk hd, 3/8" UNC x 1" long *
13	024535	1	... Shaft, drive
	024538	1 Washer, cone, special
	011012	2 Setscrew, hex hd, M8 x 30 mm long (use thread lock compound)
	011515	1 Key
14	010566	1	.. MOTOR, HYDRAULIC, DANFOSS OMP 100 Page F11
	011053	2	... Setscrew, hex hd, M12 x 35 mm long
	011077	2	... Nut, Nyloc, M12
NI	011167	2	... Adapter
NI	011154	2 Seal, dowty
NI	011221	2	... Elbow
15	024224	1	.. BEARING ASSEMBLY, WIDE SWEEP
	011053	2	... Setscrew, hex hd, M12 x 35 mm long
	011077	2	... Nut, Nyloc, M12
16	024219	1	. Housing, bearing assembly
17	010578	1	.. Bearing, ball race
18	024220	1	... Seal, oil
19	024223	1	.. Shaft
20	024221	1	... Spacer
21	024531	1	... Spacer
22	010578	1	... Bearing, ball 6206
	010004	1 Washer, 9 x 45 x 4
	011010	1 Bolt, hex hd, M8 x 20 long
23	024222	1	.. Cap, bearing

Continued...

When ordering replacement parts, always give the machine's Serial Number and specify Part Number, Quantity & Description



D

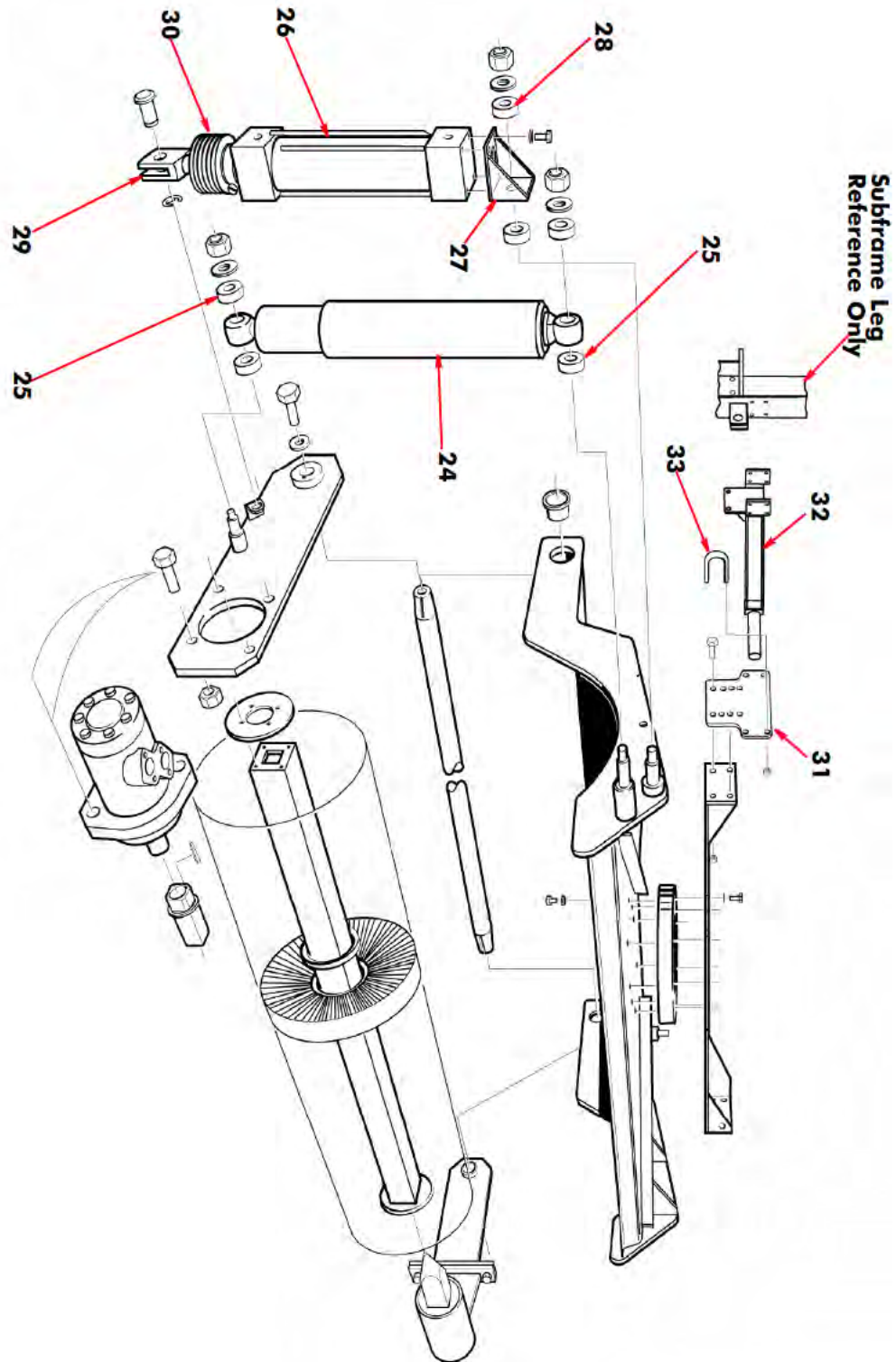


When ordering replacement parts, always give the machine's Serial Number and specify Part Number, Quantity & Description



<i>Item</i>	<i>Part Number</i>	<i>Quantity</i>	<i>Description</i>
WIDE SWEEP ASSEMBLY			
24	014063	2	. Shock absorber
	011075	2	.. Nut, Nyloc, M10
	011096	2	.. Washer, 12 mm
25	011000	4	.. Spacer, $\frac{5}{8}$ " bore x $\frac{1}{2}$ "
26	020602	2	. CYLINDER, PNEUMATICPage G9
	011067	4	.. Setscrew, Hex Hd, M6 x 20 mm long
	011093	4	.. Washer, spring, 6 mm
27	020731	1	.. Bracket, pneumatic cylinder
	011075	1	... Nut, Nyloc, M10
	011094	1	... Washer, 10 mm
28	011000	2	... Spacer, $\frac{5}{8}$ " bore x $\frac{1}{2}$ "
29	014469	1	.. Clevis, M12 x 1.25
30	023110	1	.. Bellows
NI	022516	1	. Skirt, wide-sweep
NI	022517	1	.. Clamp, wide-sweep skirt
	011073	5	... Nut, Nyloc, M8
	011069	8	.. Setscrew, Hex, Hd, M12 x 40 mm long
	011096	16	.. Washer, 12mm
	011077	8	.. Nut, Nyloc, M12
31	034336	2	. Drop Plate
32	034334	1	. Widesweep Adjuster Bar LH
N1	034335	1	. Widesweep Adjuster Bar RH
33	023148	4	.. U Clamp
	000041	8	.. Bolt, Hex, Hd, M10 x 140mm Long
	000075	4	.. Bolt, Hex, Hd, M10 x 130mm Long
	011094	24	.. Washer, 10mm
	011075	20	.. Nut, Nyloc, M10

When ordering replacement parts, always give the machine's Serial Number and specify Part Number, Quantity & Description



NOTE:
 RH shock absorber and
 pneumatic ram omitted to
 aid clarity

WIDESWEEP ASSEMBLY

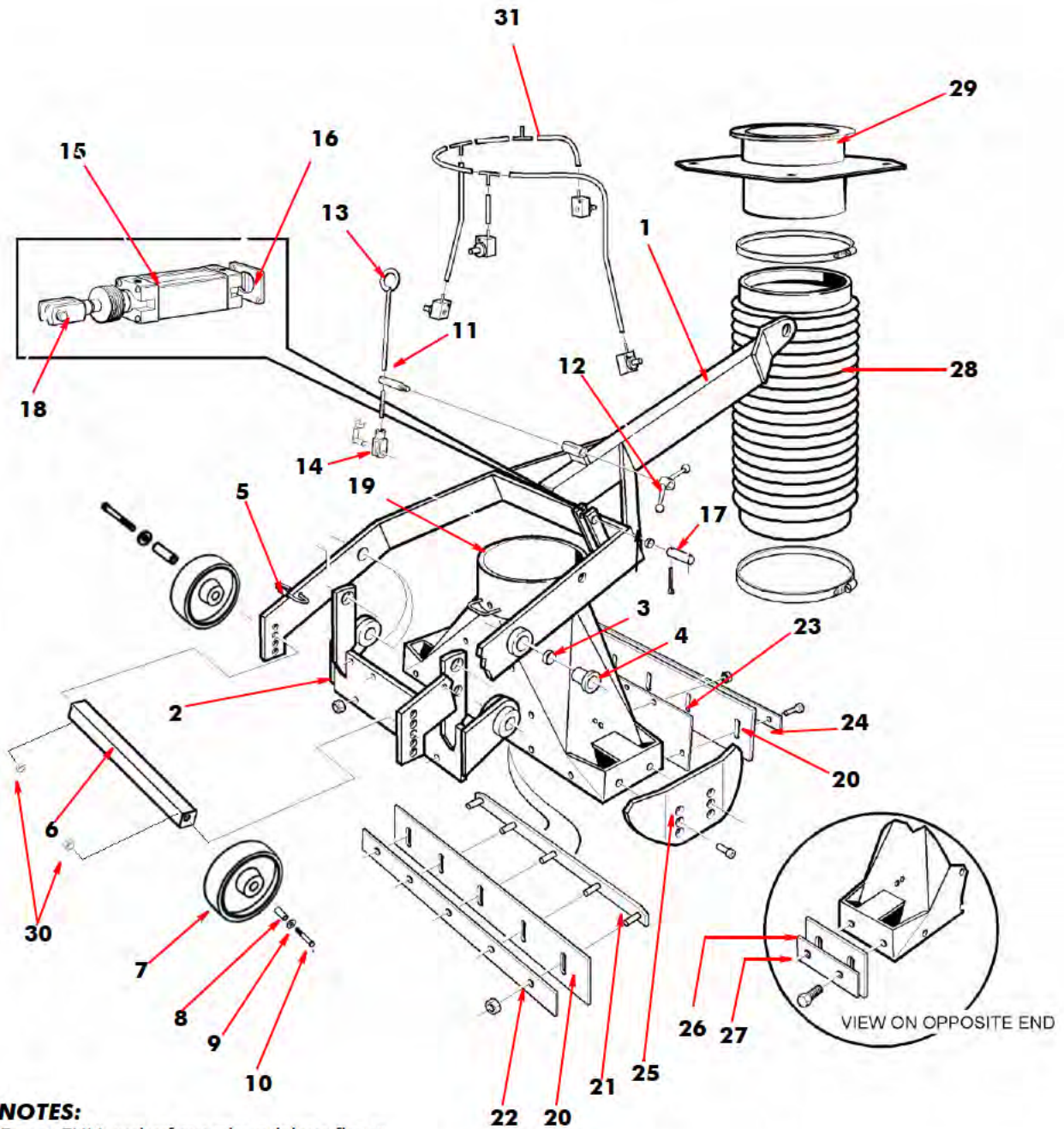
When ordering replacement parts, always give the machine's Serial Number and specify Part Number, Quantity & Description





Item	Part Number	Quantity	Description
TILTING SUCTION NOZZLE ASSEMBLY			
1	023606	1	. Frame, (RH shown)
1	023605	1	. Frame, LH
2	023684	1	.. Pivot, Tilting Nozzle
	000119	2	... Bolt, Hex Hd, M14 x 60 mm Long
	000351	2	... Bolt, Hex Hd, M14 x 70 mm Long (XP Models)
	011146	2	... Nut, Nyloc, M14
3	024682	8	... Bush, Hardened
4	021416	2	... Sleeve
5	010606	4	... Carabiner (Attaches Chain Sections to Frame and Together)
6	031833	1	.. Axle
7	031831	2	... Wheel, 250 mm Dia.
8	031832	2 Spacer, Wheel
9	011135	4 Washer, Plain 16 mm
10	011133	2 Bolt, Hex Hd, M16 x 100 Long
11	023625	1	.. Adjuster, Nozzle
NI	000182	1	... Special Locknut (Adjuster Nozzle)
12	024051	1	... Turn Wheel, Nozzle Adjust
13	023610	1	... Rod, Nozzle Adjust
NI	021944	1	... Double Wound Grip, R Clip 3mm Wire
14	020291	1 Clevis, M10 x 1.25
NI	010525	AsReq Chain, Large Link, Welded, Nozzle Adjust
NI	025681	1 Leash Assembly, Nozzle Adjust
	000072	1 Setscrew, Hex Hd, M10 x 45 mm Long
	011074	1 Nut, Hex, M10
15	032119	1	. CYLINDER, PNEUMATIC, 40 x 125.....Page G9
16	023827	1	... Ram End
17	010067	1	... Pin, 20 mm x 50 mm Long
	011122	2 Pin, Split, Cotter, $\frac{3}{16}$ " x $1\frac{1}{4}$ " Long
18	022673	1	... Pin, Clevis (For Retaining Clip, Order Part Number 022674)
19	023604	1	. Nozzle
	011031	4	.. Setscrew, Hex Hd, M10 x 25 mm Long
	011075	4	.. Nut, Nyloc, M10
20	013023	2	.. Flap, Nozzle, Front & Rear
21	013362	1	... Retainer, Bolt, Rear Flap
22	013025	1	... Clamp, Retaining, Rear Flap
	011073	5 Nut, Nyloc, M8
23	020334	1	... Plate, Front Flap
	011010	5 Setscrew, Hex Hd, M8 x 20 mm Long (Front Flap Plate)
24	013025	1	... Clamp, Retaining, Front Flap
	011010	5 Setscrew, Hex Hd, M8 x 20 mm Long
	011073	5 Nut, Nyloc, M8
25	013277	1	.. Plate, Skid, Nozzle *
	011021	2	... Capscrew, Skt Hd, M8 x 25 mm Long
	011073	2	... Nut, Nyloc, M8
26	013283	1	.. Flap, Nozzle, Side * (See Note Opposite Page)
27	013024	1	... Clamp, Retaining, Side Flap *
	011012	2 Setscrew, Hex Hd, M8 x 30 mm Long
	011073	2 Nut, Nyloc, M8
28	013028	1	.. Hose/Trunking, Suction Nozzle
	012933	2	... Clamp, Hose
29		1	.. SPIGOT, SUCTIONPage D11
30	011060	2	.. Nut, Nyloc, M16
31			. SUCTION BOX DUST SUPPRESSIONPage E15

When ordering replacement parts, always give the machine's Serial Number and specify Part Number, Quantity & Description



NOTES:

For a FULL set of nozzle rubber flaps order part number 024550

Items marked * are positioned on the opposite side when fitted to LH nozzle.

Frame tow-point ball ends are welded to the frame (Item 1) but can be procured as replacements if required. Please contact our Parts & service Dept. for details.

TILTING SUCTION NOZZLE, NEW TYPE
(RH shown, LH similar see notes)

When ordering replacement parts, always give the machine's Serial Number and specify Part Number, Quantity & Description



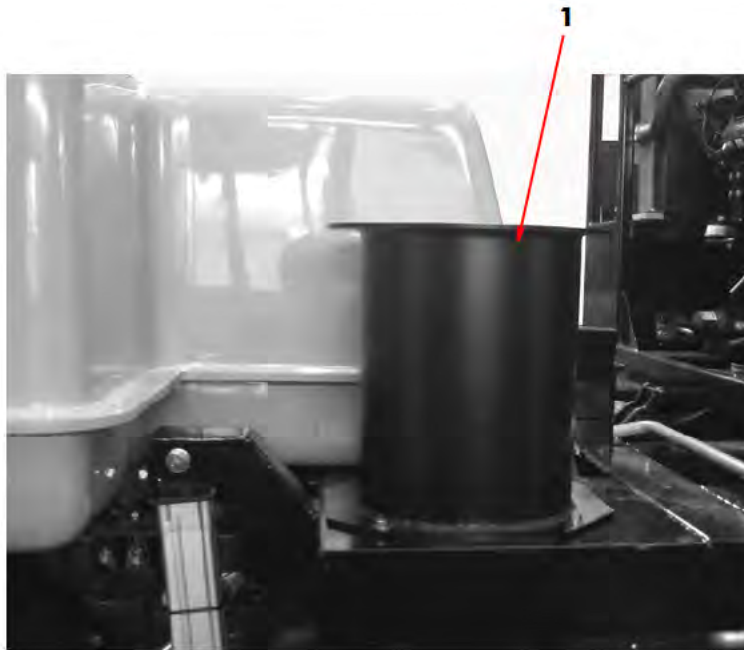
<i>Item</i>	<i>Part Number</i>	<i>Quantity</i>	<i>Description</i>
SUB FRAME - SUCTION SPIGOTS			
1	034368	As Req	. Suction spigot,
1	035282	As Req	. Suction spigot, PU coated
	011087	4	. . Setscrew, hex hd, M6 x 30 mm long
	011073	8	. . Washer, M8
	011073	4	. . Nut, Nyloc, M8
NI	013028	As Req	. Suction hose
NI	012933	As Req	. . Jubilee clip No 10.50

NOTE:

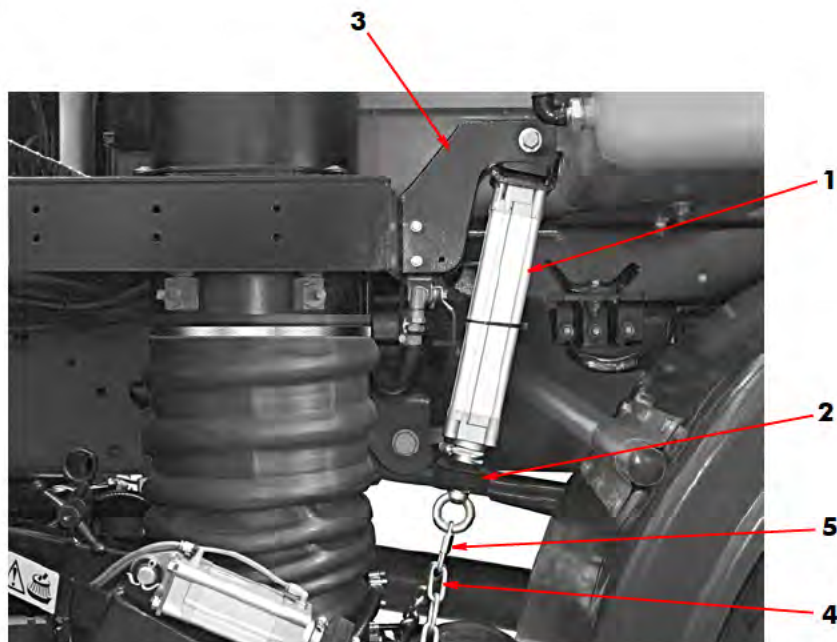
The Scarab sweeping equipment is mounted on a wide range of chassis types. The height of the chassis determines which type of suction spigot is fitted. In some cases it may be advisable to obtain either the length of spigot or the machine serial number.

<i>Item</i>	<i>Part Number</i>	<i>Quantity</i>	<i>Description</i>
SUCTION BOXES - PNEUMATIC LIFTING ARRANGEMENT			
1	030772	2	. CYLINDER, PNEUMATIC, 50 mm x 200 mmPage G9
2	023111	2	. . Bellows
3	030775	2	. Bracket, cylinder mounting
4	010525	2	. Chain, large link, nozzle lift
5	010606	3	. Carabiner

When ordering replacement parts, always give the machine's Serial Number and specify Part Number, Quantity & Description



SUCTION SPIGOTS



SUCTION BOXES - PNEUMATIC LIFTING ARRANGEMENT

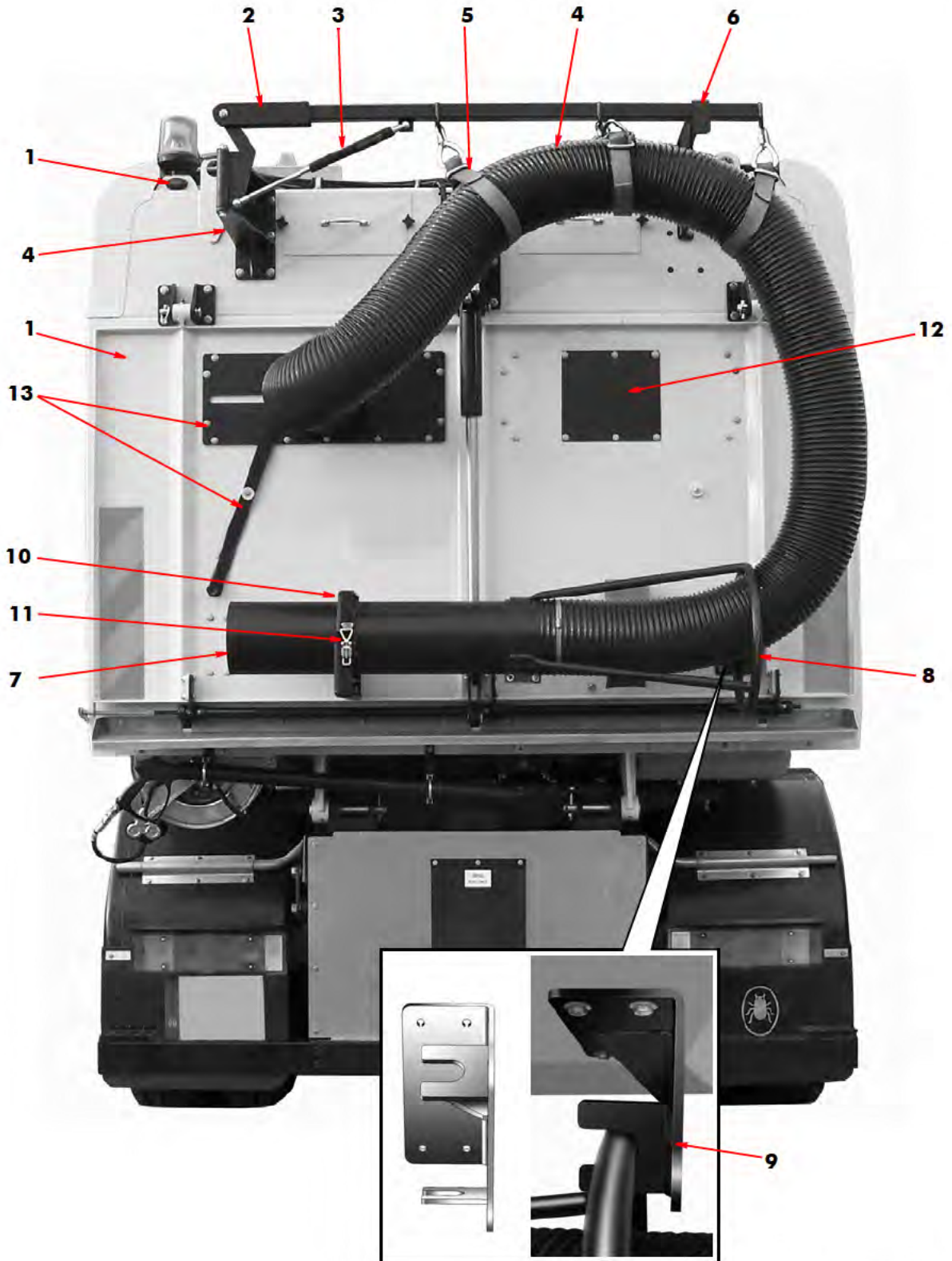
When ordering replacement parts, always give the machine's Serial Number and specify Part Number, Quantity & Description





<i>tem</i>	<i>Part Number</i>	<i>Quantity</i>	<i>Description</i>
REAR WANDER BOOM ASSEMBLY			
1	034312	1	.. Hinge, LH boom arrangement
NI	034767	1	.. Hinge, RH boom arrangement
	011032	6	... Setscrew, hex hd, M10 x 30 mm long
	011094	12	... Washer, M10
	011073	6	... Nut, Nyloc, M10
	010903	1	... Grease nipple
2	025218	1	.. Support arm, boom
	011094	2	... Setscrew, hex hd, M10 x 30 mm long
	011094	4	... Washer, M10
	011073	2	... Nut, Nyloc, M10
3	021993	1	.. Gas spring
4	025214	1	.. Hose. suction
NI	012933	2	... Jubilee clip
5	025235	3	.. Retaining strap
NI	010606	3	... Carabiner
6	034313	1	.. Retaining bracket, boom support arm
7	034797	1	.. Suction tube
8	034744	1	.. Handle, boom
1	034298	1	.. REAR DOOR.....Page C13
9	034821	1	... Hook, stowage, boom handle
	011011	2 Setscrew, hex hd, M8 x 25mm Long
	011092	4 Washer, M8
	011073	2 Nut, Nyloc, M8
10	034822	1	.. Retaining clamp, boom suction tube
	011011	2	... Setscrew, hex hd, M8 x 25 mm long
	011092	4	... Washer, M8
	011073	2	... Nut, Nyloc, M8
11	034823	1	... Catch
12	034304	1	.. Blanking plate
	011011	6	... Setscrew, hex hd, M8 x 25mm long
	011092	6	... Washer, M8
	011073	6	... Nut, Nyloc, M8
13	SEE REF	1	.. MANUAL BLANKING ARRANGEMENT, REAR BOOMPage D15

When ordering replacement parts, always give the machine's Serial Number and specify Part Number, Quantity & Description



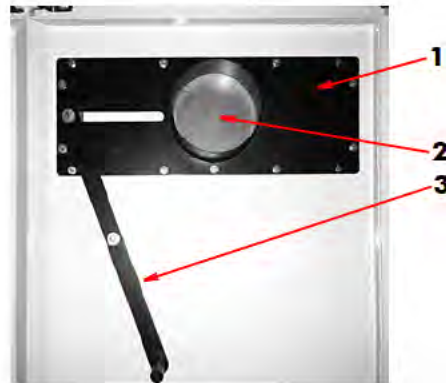
REAR WANDER BOOM ASSEMBLY

When ordering replacement parts, always give the machine's Serial Number and specify Part Number, Quantity & Description



<i>Item</i>	<i>Part Number</i>	<i>Quantity</i>	<i>Description</i>
REAR BOOM BLANKING ASSEMBLY (OPTION)			
1	034299	1	. Rear boom spigot
	011011	14	. . Setscrew, hex hd, M8 x 25 mm long
	011092	28	. . Washer, 8 mm
	011073	14	. . Nut, hex, M8
2	034300	1	. Shutter, rear boom
NI	034301	1	. Spacer plate
3	034302	1	. Blanking arm, rear boom
	034303	2	. . Washer
NI	034304	1	. Blanking plate (used on opposite hand aperture)
NI	034305	1	. Inner deflector, LH
NI	035621	1	. Inner deflector, RH

When ordering replacement parts, always give the machine's Serial Number and specify Part Number, Quantity & Description



REAR DOOR BLANKING ARRANGEMENT



When ordering replacement parts, always give the machine's Serial Number and specify Part Number, Quantity & Description



THIS PAGE INTENTIONALLY LEFT BLANK

When ordering replacement parts, always give the machine's Serial Number and specify Part Number, Quantity & Description

ILLUSTRATED PARTS CATALOGUE

SCARAB M6

SECTION E WASHING & DUST SUPPRESSION EQUIPMENT

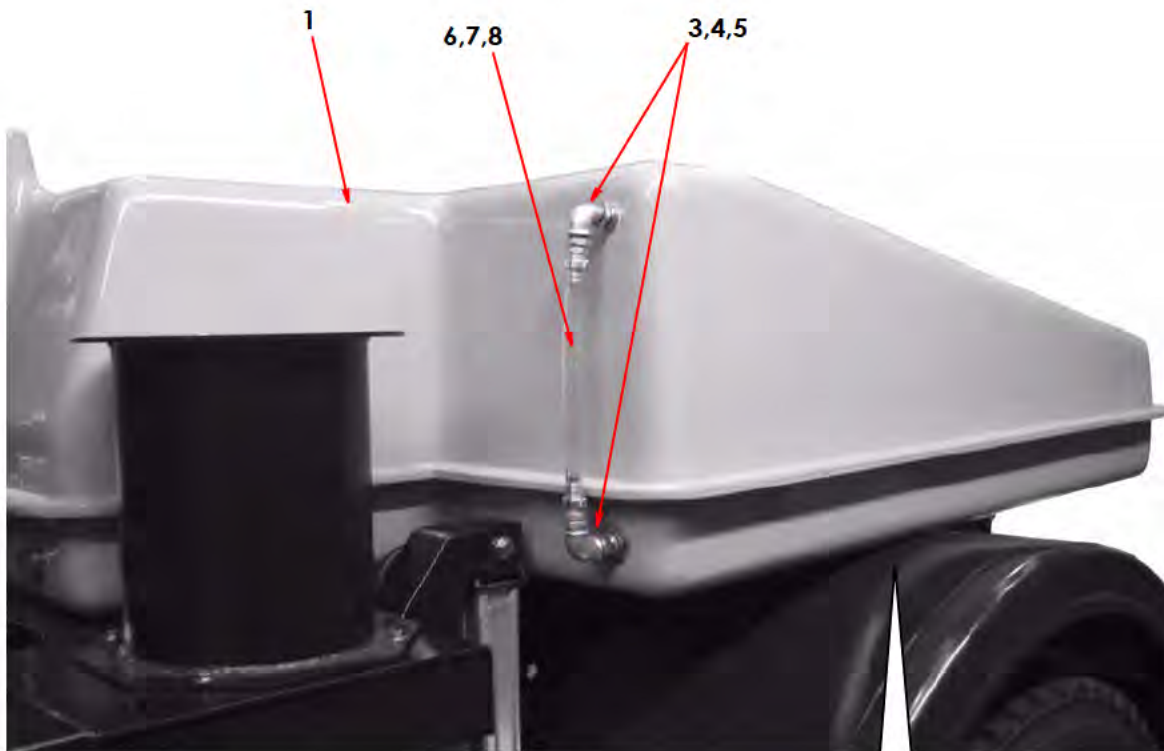
Table of Contents

Assembly/Description	Page
WATER TANK & FILTRATION SYSTEM	
Water Tank Arrangement	1
Water Filter Arrangement	3
Water Tank Drain.	3
Water Tank Hydrant Filler	5
LOW-PRESSURE DUST-SUPPRESSION SYSTEM	
Twin-diaphragm Water Pump Arrangement.	7
Twin-diaphragm Water Pump Components	9
Water Valves Assembly	11
Water Relief Valve Assembly.	11
Low Pressure Spray Bar Assembly	13
Low Pressure Side Brush Spray Nozzle.	13
High Pressure Spray Bar Assembly (Option).	15
High & Low Pressure Spray Bar Assembly.	15
Suction Box Dust Suppression	17
Suction Tube Dust Suppression	17
AUTOMATIC HOSE REEL/LANCE ARRANGMENT	
Automatic Hose Reel/ Lance	19
OPTIONAL HIGH-PRESSURE WATER PUMPS	
High-pressure Pump Arrangement - 30 Litre	21
High-pressure Pump Components - 30 Litre	23
High Pressure Pump Arrangement - 42 Litre	25
High Pressure Pump Components - 42 Litre	27

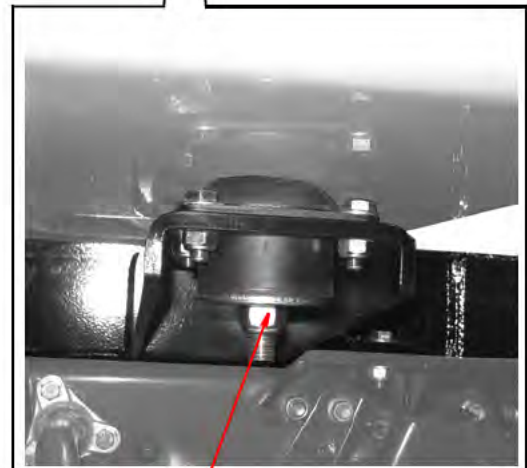
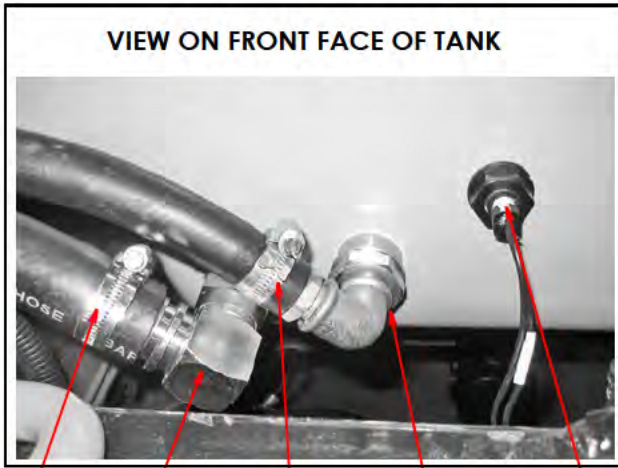


<i>Item</i>	<i>Part no</i>	<i>Quantity</i>	<i>Description</i>
WATER TANK ASSEMBLY			
1	034333	1	Water tank (GRP)
2	033838	4	.. Rubber Mounting
	011060	4	... Nut, M16, Nyloc
3	010946	2	.. Reducing Bush $\frac{3}{4}$ " x $\frac{3}{8}$ " BSP
NI	011155	1	... Seal, Dowty $\frac{3}{4}$ "
4	010913	2	.. Elbow, Galvanised $\frac{3}{8}$ " BSP, M/M
5	010930	2	.. Hose Tail $\frac{3}{8}$ " BSP x $\frac{5}{8}$ " Hose
6	001046	As req	... Hose $\frac{3}{8}$ " Clear
7	000202	2 O Clip $\frac{7}{8}$ "
8	025335	1 Ball $\frac{1}{2}$ " Plastic
9	011210	1	.. Elbow $\frac{3}{4}$ " BSP x 1" Hose
10	011161	2	... Adaptor, Hex $\frac{3}{4}$ " BSP, M/M
NI	011155	4	... Seal, Dowty $\frac{3}{4}$ "
NI	034760	1	.. Lid
NI	034870	1	.. Sump Cover
NI	034873	2	.. Lid/Sump Gasket
11	014827	As req	.. Hose, Rubber 1" Bore
12	010518	1	... Jubilee Clip 1X
13	011100	As req	.. Hose, rubber $\frac{5}{8}$ " Bore
14	010517	1	... Jubilee Clip 0X
15	010913	2	.. Elbow, Galvanised $\frac{3}{8}$ " BSP, M/M
16	010946	2	.. Reducing Bush $\frac{3}{4}$ " x $\frac{3}{8}$ " BSP
NI	011155	1	... Seal, Dowty $\frac{3}{4}$ "
17	010930	2	.. Hose Tail $\frac{3}{8}$ " BSP x $\frac{5}{8}$ " Hose
18	021804	1	.. Float switch (Option)

When ordering replacement parts, always give the machine's Serial Number and specify Part Number, Quantity & Description



E



11,12 9,10 13,14 15,16,17 18

2

WATER TANK ASSEMBLY

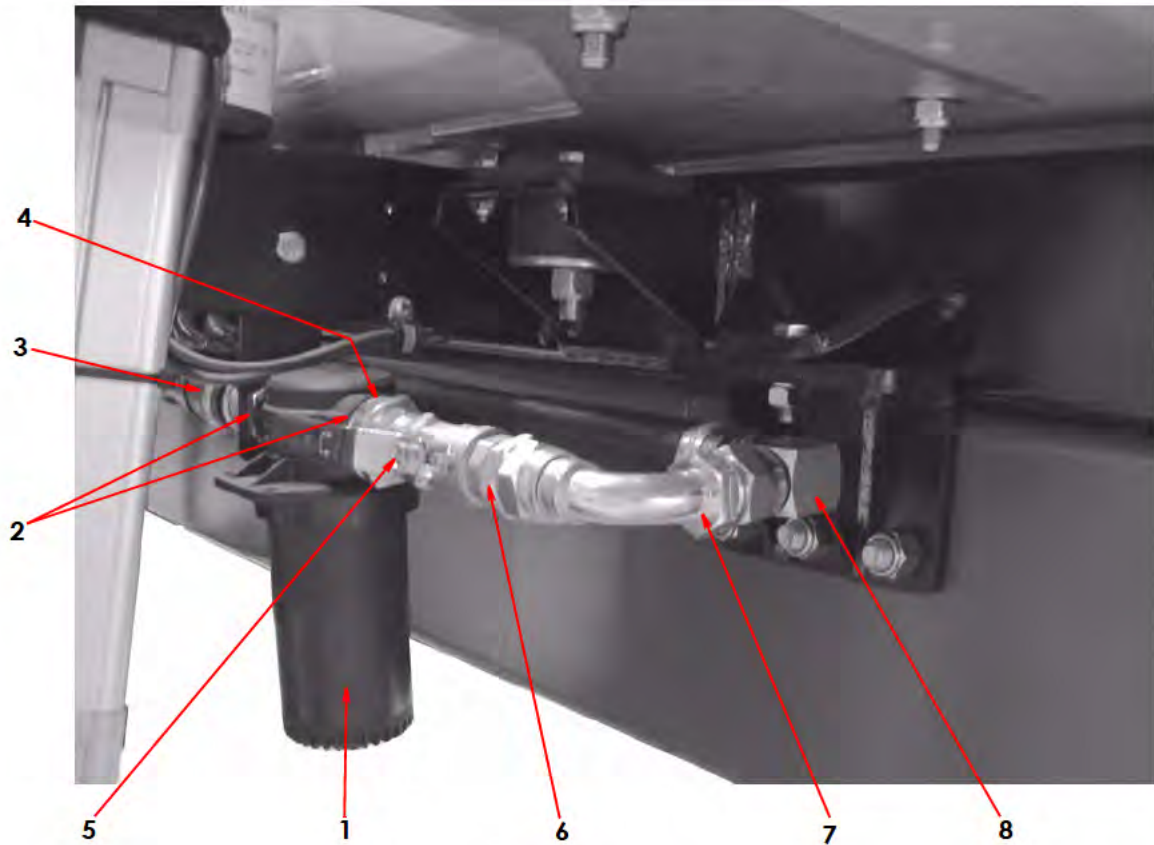
When ordering replacement parts, always give the machine's Serial Number and specify Part Number, Quantity & Description



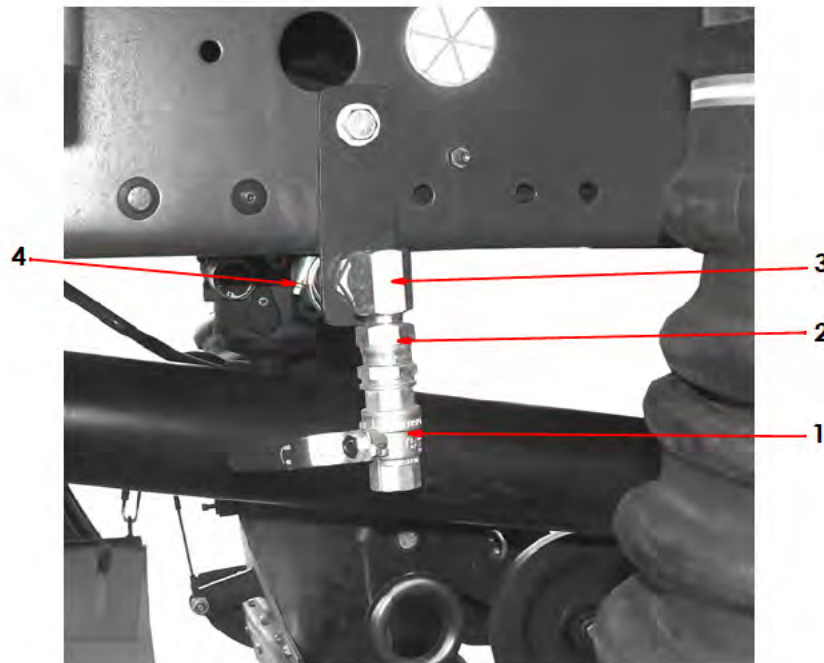
<i>Item</i>	<i>Part no</i>	<i>Quantity</i>	<i>Description</i>
WATER FILTER ASSEMBLY - HIGH PRESSURE PUMP			
1	023862	1	. Filter, water
NI	023863	1	. . Element, gauze
NI	023897	1	. . . O-Ring
2	000154	2	. Bush, Reducing 1" x 3/4" BSP, M/F, Galvanised
3	010931	1	. Hose tail 3/4" BSP x 1" Hose
4	010916	1	. Adaptor, Hex 3/4" BSP, M/M
5	013757	1	. Valve, Ball 3/4" BSP
6	011161	1	. Adaptor 3/4" BSP, M/M
7	011196	1	. Elbow, Swept 3/4" BSP, M/F
8	011210	1	. Elbow 3/4" BSP x 1" Hose
NI	010518	2	. Jubilee Clip 1X

<i>Item</i>	<i>Part no</i>	<i>Quantity</i>	<i>Description</i>
WATER TANK DRAIN VALVE ASSEMBLY			
1	013757	1	Valve, Ball 3/4" BSP
2	012228	1	. Coupling, 3/4" BSP, M/M
3	002044	1	. Elbow, Compact 3/4" BSP, M/F
4	011161	1	. Adaptor 3/4" BSP, M/M
NI	010934	1	. Socket, 3/4" BSP
NI	010931	1	. Hose tail 3/4" BSP x 1" Hose
NI	010518	1	. Jubilee Clip 1X

When ordering replacement parts, always give the machine's Serial Number and specify Part Number, Quantity & Description



WATER FILTER ASSEMBLY - HIGH PRESSURE PUMP (OPTION)



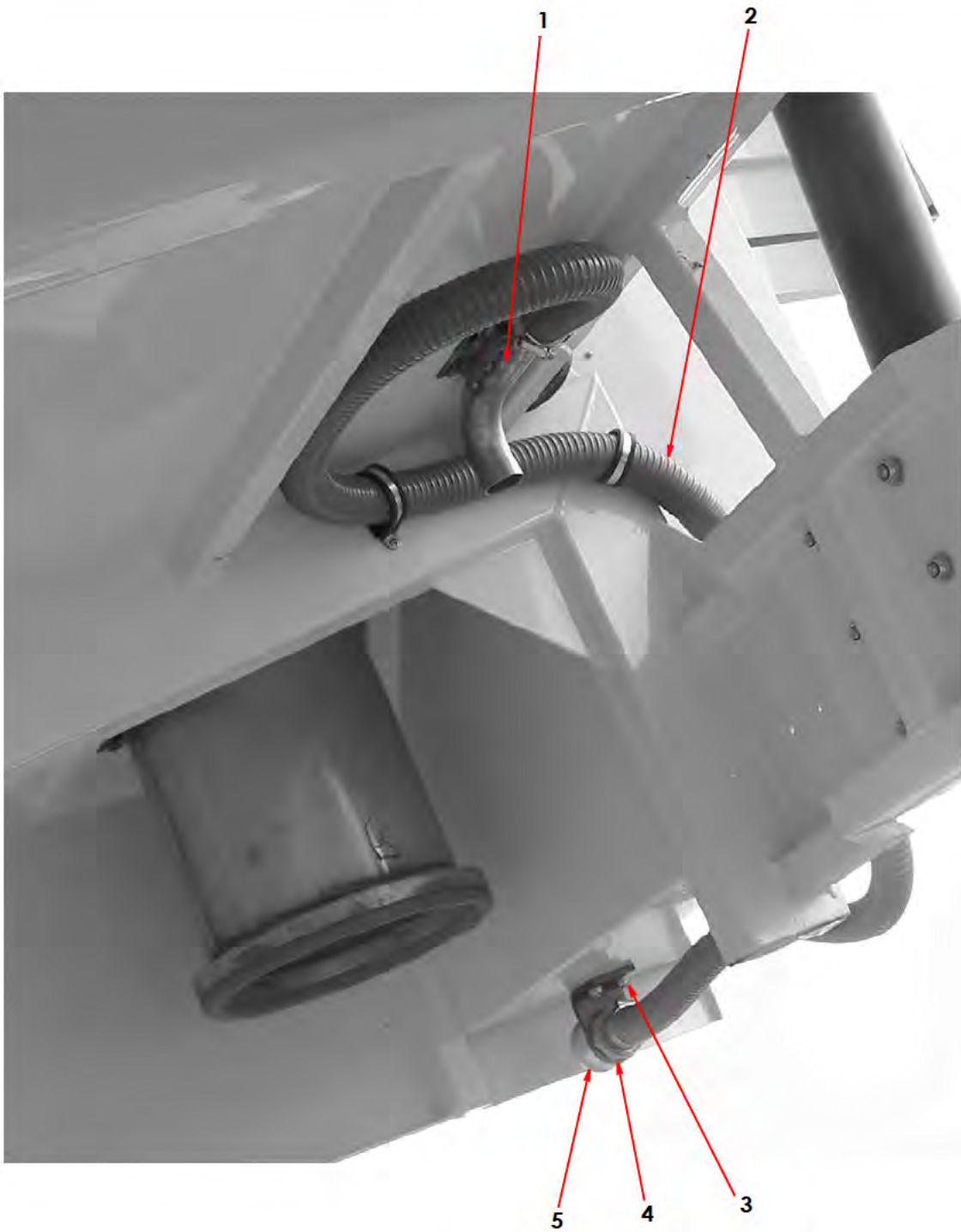
WATER TANK DRAIN VALVE

When ordering replacement parts, always give the machine's Serial Number and specify Part Number, Quantity & Description



<i>Item</i>	<i>Part no</i>	<i>Quantity</i>	<i>Description</i>
WATER TANK HYDRANT FILLER ASSEMBLY. (LH SHOWN)			
1	034388	1	Filler Pipe
	011011	2	. Setscrew, Hex Hd, M8 x 25mm Long
	011073	2	. Washer M8
2	001045	As req	. Hose, Green, Medium Duty 1½" Bore
3	034389	1	. Bracket, Hydrant Adaptor
	011011	2	. Setscrew, Hex Hd, M8 x 25mm Long
	011073	4	. Washer M8
	011073	2	. Nut, M8, Nyloc
4	003026	1	. Back-Nut, Hydrant Adaptor
5	013169	1	. Hydrant Adaptor
NI	003007	2	. Jubilee Clip, 2A

When ordering replacement parts, always give the machine's Serial Number and specify Part Number, Quantity & Description



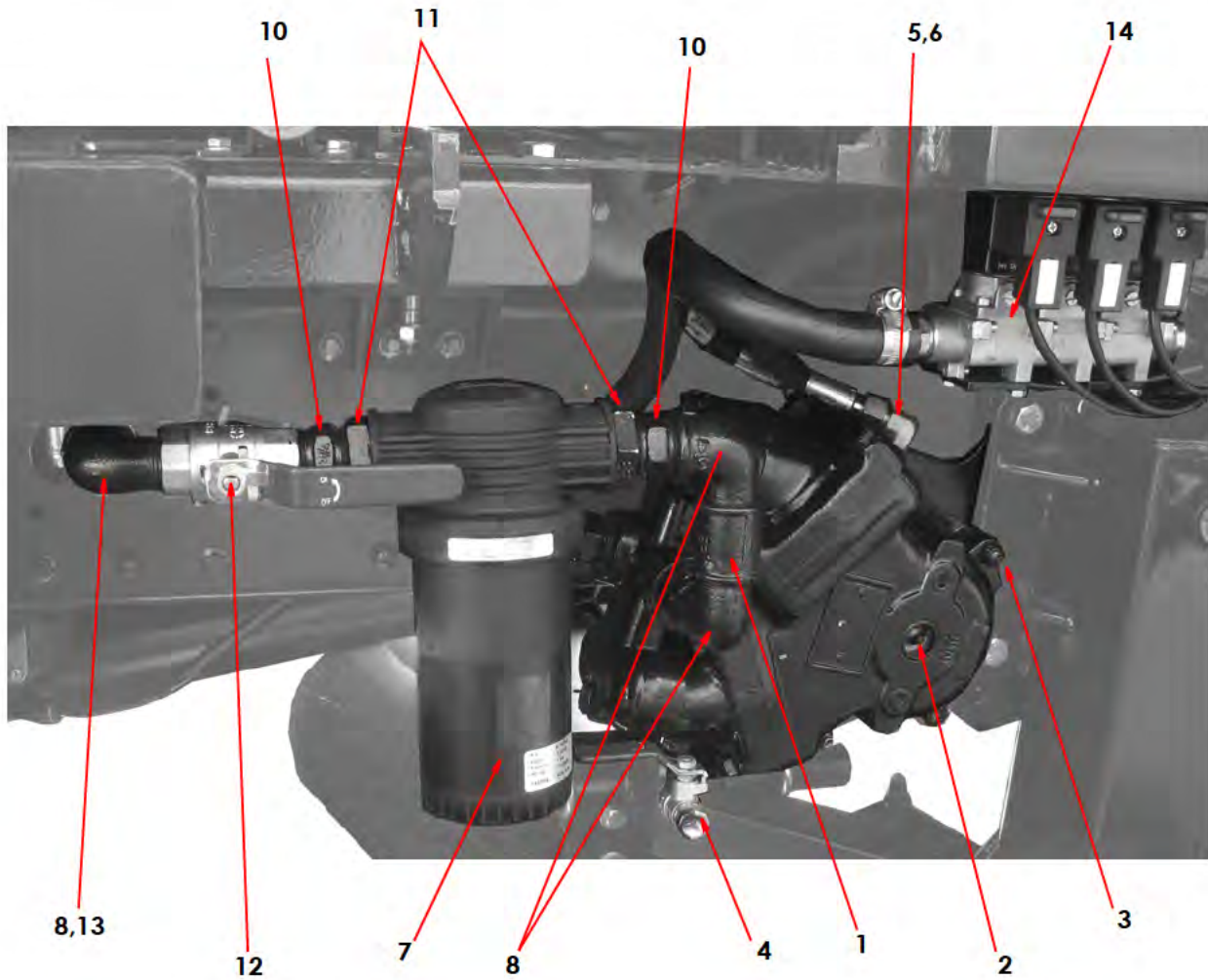
WATER TANK HYDRANT FILLER

When ordering replacement parts, always give the machine's Serial Number and specify Part Number, Quantity & Description



<i>Item</i>	<i>Part Number</i>	<i>Quantity</i>	<i>Description</i>
TWIN-DIAPHRAGM LOW-PRESSURE WATER PUMP ARRANGEMENT			
1	024385	1	. PUMP ASSEMBLY, TWIN Page E9
1	024385SE	1	. PUMP ASSEMBLY, TWIN (Service Exchange Unit) Page E9
NI	024241	1	. Locating ring
NI	024245	2	. Clamp, water pump
NI	024908	4	. Stud
2	010903	1	. . Grease nipple
3	014873	4	. . . Spacer 37 x 20 x 11
	011018	4 Bolt, hex hd M8 x 90 mm long
	011073	4 Nut, hex, M12
4	011743	1	. . Valve, ball, $\frac{1}{4}$ " BSP
NI	013527	1	. MOTOR, DANFOSS OMP 50 Page F11
NI	023069	1	. . Danfoss seal kit (only for motors without a drainport)
	011058	2	. . . Screw, csk skt hd, M12 x 40 mm long
	011077	4	. . . Nut, hex, M12
5	011167	2	. . Adaptor, $\frac{1}{2}$ " BSP x $\frac{3}{8}$ " BSP
6	011154	2	. . . Seal, Dowty $\frac{1}{2}$ " BSP
NI		1	. RELIEF VALVE ASSEMBLY Page E11
	011048	1	. . . Nut, hex, thin, $\frac{1}{2}$ " UNF
7	023862	1	. FILTER Page E3
8	010917	3	. . Elbow, 90°, $\frac{3}{4}$ " BSP M/F
9	010934	1	. . Socket $\frac{3}{4}$ " BSP
10	010916	1	. . Nipple, hex $\frac{3}{4}$ " BSP
11	000154	2	. . Reducing bush 1" BSP - $\frac{3}{4}$ " BSP
12	013757	1	. Valve, ball, $\frac{3}{4}$ " BSP
13	010931	1	. Hose, tail, $\frac{3}{4}$ " BSP x 1" Hose
14	See Ref	1	. WATER VALVE ASSEMBLY Page E11

When ordering replacement parts, always give the machine's Serial Number and specify Part Number, Quantity & Description



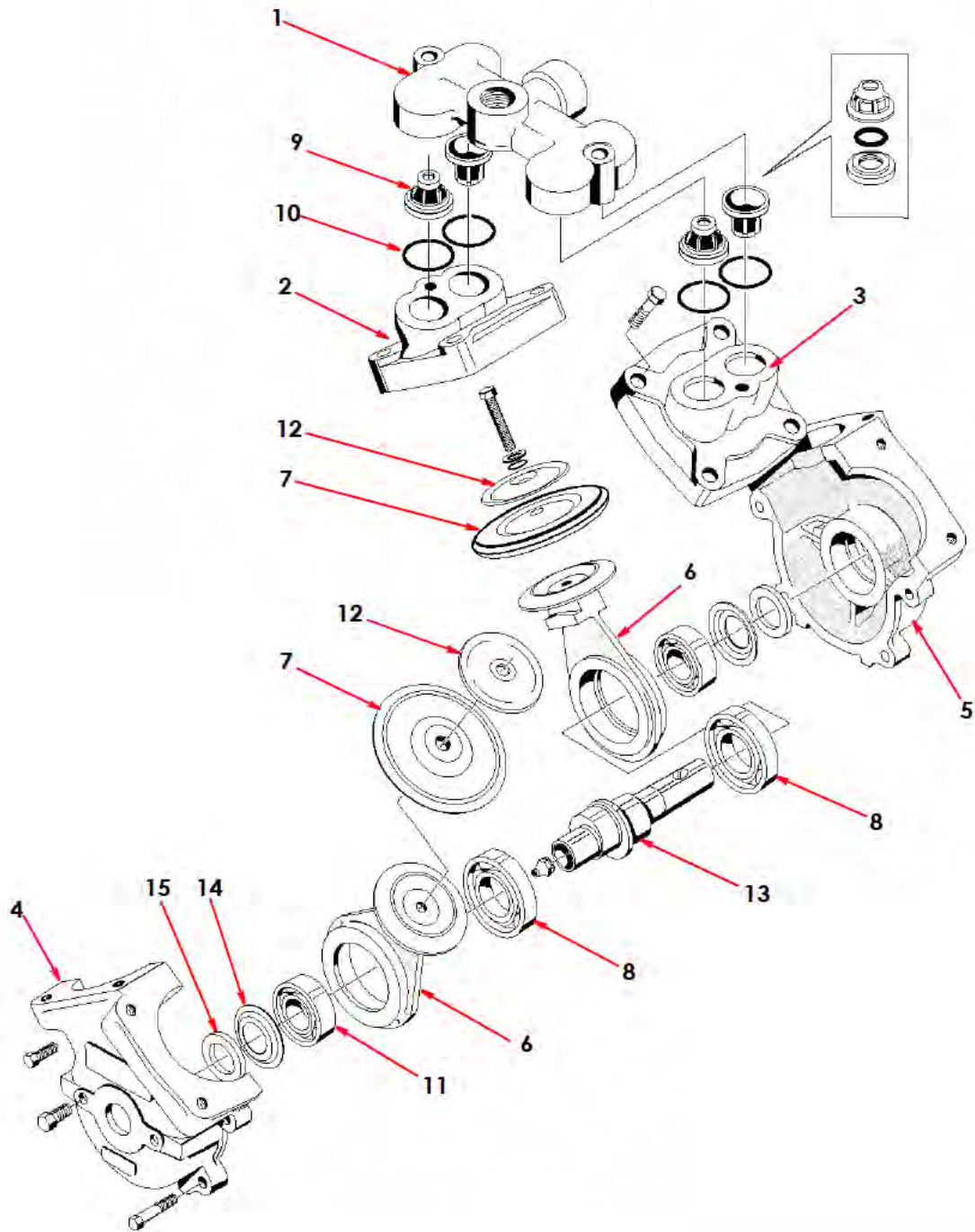
TWIN DIAPHRAGM LOW-PRESSURE WATER PUMP

When ordering replacement parts, always give the machine's Serial Number and specify Part Number, Quantity & Description



<i>Item</i>	<i>Part Number</i>	<i>Quantity</i>	<i>Description</i>
TWIN-DIAPHRAGM WATER PUMP COMPONENTS			
1	020460	1	. Bridge, Hardi twin-diaphragm pump
2	020464	1	. Head (modified), Hardi twin-diaphragm pump
3	020463	1	. Head, Hardi twin-diaphragm pump
4	020461	1	. Crankcase, Hardi twin-diaphragm pump
5	020462	1	. Crankcase (modified), Hardi twin-diaphragm pump
6	014682	2	. Conrod, Hardi twin-diaphragm pump
7	013629	2	. . Diaphragm, Hardi twin-diaphragm pump
	011005	1	. . . Bolt
	031561	1	. . . Washer
	031560	1	. . . Seal
8	013522	2	. Bearing, ball, 6007
9	013627	4	. Poppet valve
10	013628	4	. . Sealing ring, poppet valve
11	022726	1	. Bearing, ball, 6205
12	014882	2	. Backing plate
13	014869	1	. Eccentric
14	014881	1	. Retainer
15	014879	1	. . Washer, felt

When ordering replacement parts, always give the machine's Serial Number and specify Part Number, Quantity & Description



LOW PRESSURE TWIN WATER PUMP

When ordering replacement parts, always give the machine's Serial Number and specify Part Number, Quantity & Description



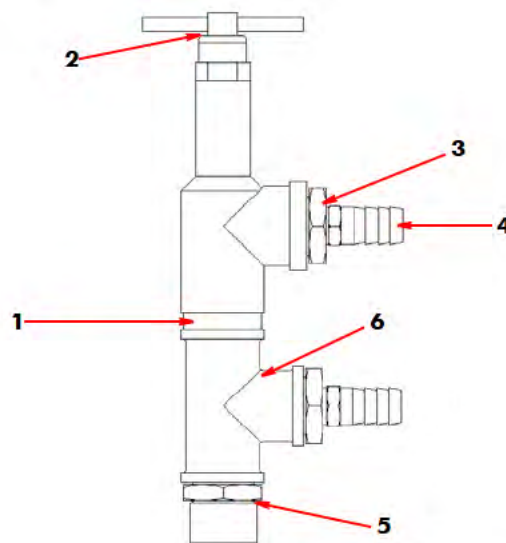
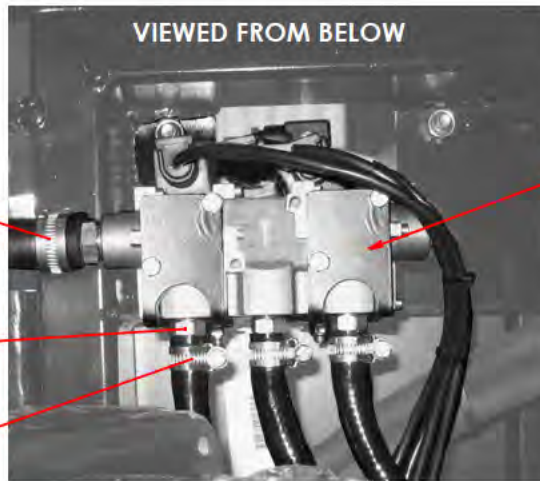
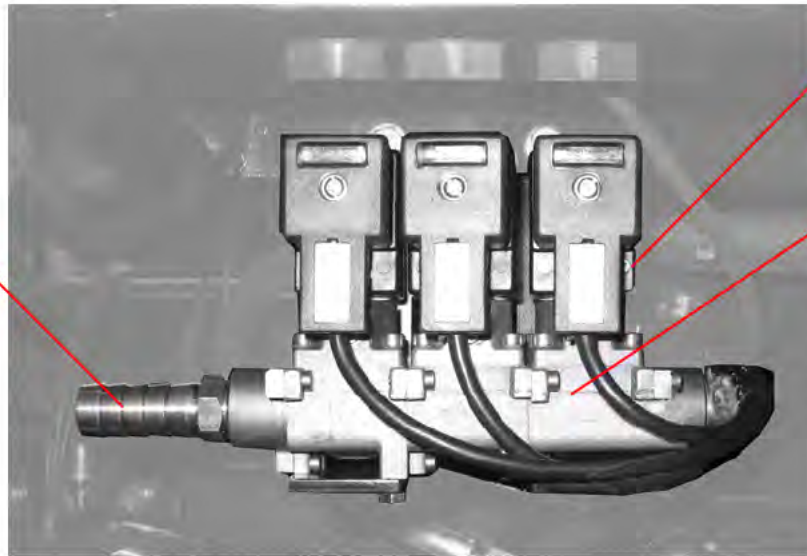
<i>Item</i>	<i>Part Number</i>	<i>Quantity</i>	<i>Description</i>
WATER VALVE ASSEMBLY			
1	034597	1	Valve, water, 3-way assembly
NI	034625	*	. Valve, solenoid
2	034610	*	. Coil, 24 Volt x 8 Watt
NI	034624	*	. . Seal kit
3	010930	1	. Hose tail $\frac{3}{8}$ " x $\frac{5}{8}$ "
4	010517	1	. Hose clip, worm drive (Jubilee 0X)
5	010922	*	. Hose Tail $\frac{1}{4}$ " x $\frac{3}{8}$ "
6	010516	*	. Hose clip, worm drive (Jubilee M00)
7	034616	2	. Bracket, mounting
NI	010950	As Req	. Hose, water

<i>Item</i>	<i>Part Number</i>	<i>Quantity</i>	<i>Description</i>
WATER RELIEF VALVE ASSEMBLY			
1	010101	1	Valve, release $\frac{3}{4}$ "
2	011048	2	Nut, Nyloc $\frac{1}{2}$ " UNF
3	010946	2	Bush $\frac{3}{4}$ " x $\frac{3}{8}$ " BSP
4	010930	2	Hose tail $\frac{3}{8}$ " x $\frac{5}{8}$ " BSP
5	010916	1	Nipple, hex $\frac{3}{4}$ " BSP
6	010919	1	Tee $\frac{3}{4}$ " BSP

NOTE:

* The number of valves, their voltage and related fittings are dependent on chassis and options fitted. If in doubt please contact us quoting your Machine Serial Number.

When ordering replacement parts, always give the machine's Serial Number and specify Part Number, Quantity & Description



WATER RELIEF VALVE ASSEMBLY



When ordering replacement parts, always give the machine's Serial Number and specify Part Number, Quantity & Description

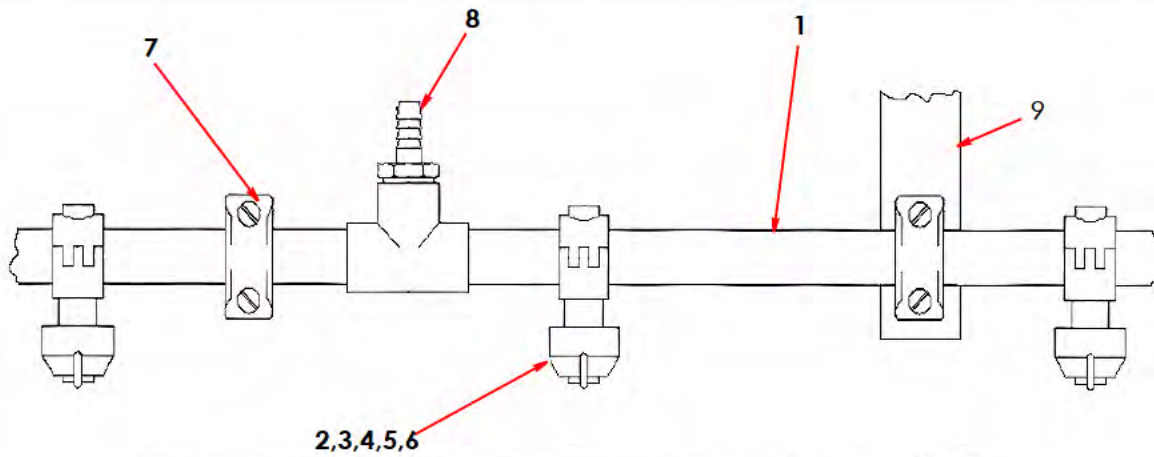


<i>Item</i>	<i>Part no</i>	<i>Quantity</i>	<i>Description</i>
		1	FRONT-MOUNTED LOW-PRESSURE SPRAY BAR - PLASTIC
1	030323	1	Low-pressure spray bar
2	030632	7	. Jet
3	030634	7	. Nozzle holder
4	030635	7	. Cap jet
5	030633	7	. Filter
6	030636	7	. Washer, rubber
7	031338	2	. Clamp
8	031339	1	. Hose tail
9		See note	. Bracket

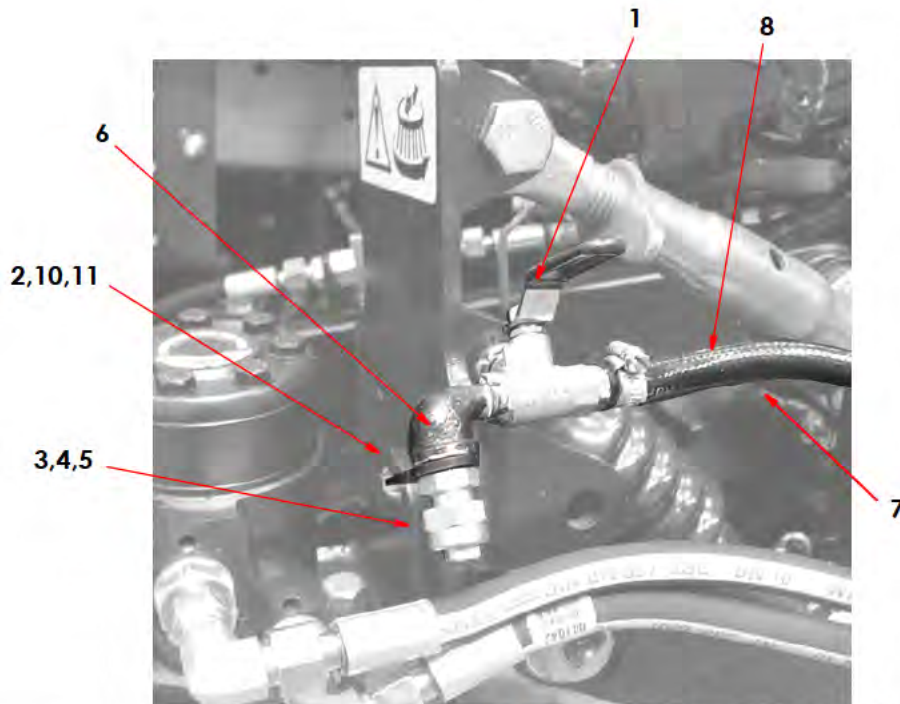
NOTE: Bracket type dependent on chassis specification. Please contact our service dept when ordering.

<i>Item</i>	<i>Part No</i>	<i>Quantity</i>	<i>Description</i>
			SIDE BRUSH LOW-PRESSURE SPRAY NOZZLE
1	011743	1	Valve, bracket, $\frac{1}{4}$ " BSP
2	010249	1	. Bracket, RH
2	010589	1	. Bracket, LH
3	010112	1	. Spray jet body
4	012926	1	. Spray jet, LF6-80
5	030951	1	. Nut
6	100910	1	. . Elbow
7	010922	1	. . Hose tail
8	010516	1	. . Hose clip, worm drive, 11 mm - 16 mm
9	010950	As Req	. . Hose, water
10	011031	1	. . . Bolt hex hd, M10 x 25 long
11	011075	1	. . . Nut, M10

When ordering replacement parts, always give the machine's Serial Number and specify Part Number, Quantity & Description



FRONT LOW-PRESSURE SPRAY BAR



SIDE BRUSH LOW-PRESSURE SPRAY NOZZLE

When ordering replacement parts, always give the machine's Serial Number and specify Part Number, Quantity & Description

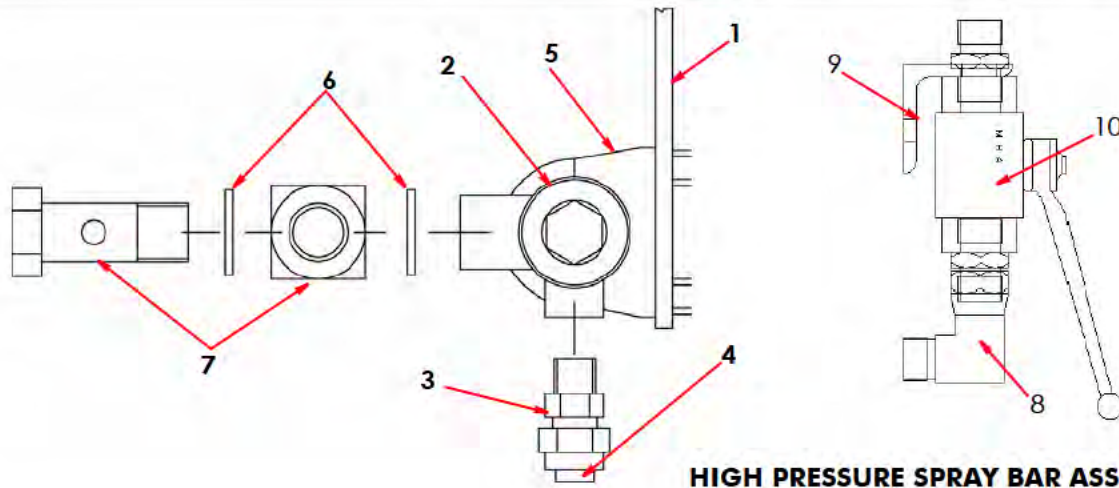




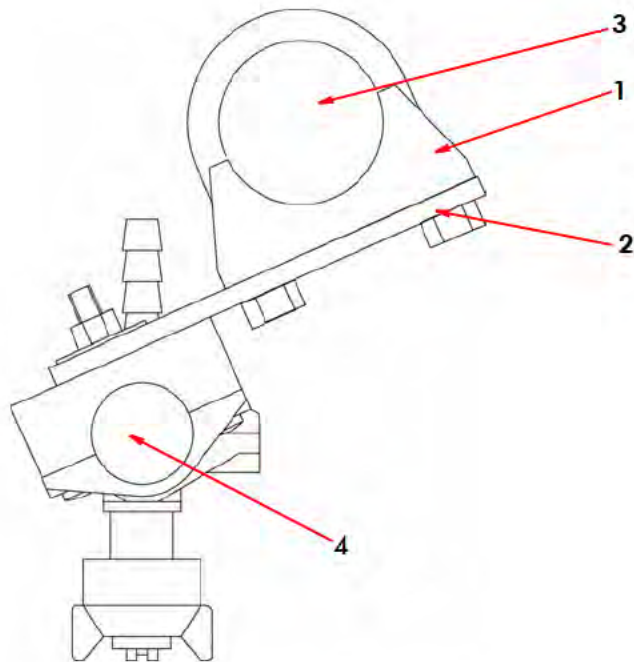
<i>Item</i>	<i>Part no</i>	<i>Quantity</i>	<i>Description</i>
FRONT-MOUNTED HIGH-PRESSURE SPRAY BAR OPTION			
1	Typical		Bracket, front spray bar
2	020405	1	. Spray bar
3	010112	11	. Nozzle body/cap
4	023377	11	. Jets
5	014983	2	. U-Clamp
6	011154	3	. Dowty seal $\frac{1}{2}$ " BSP
7	011188	1	. Banjo elbow $\frac{1}{2}$ " BSP
8	011173	2	. Swivel elbow $\frac{1}{2}$ " BSP
9	025007	1	. Angle bracket
10	023176	1	. Ball valve - (mounted an rear of cab)
NI	002110	1	. Tee $\frac{1}{2}$ " x $\frac{1}{2}$ " x $\frac{3}{8}$ " M/F/M

<i>Item</i>	<i>Part no</i>	<i>Quantity</i>	<i>Description</i>
DUAL HIGH- & LOW-PRESSURE SPRAY BARS ARRANGEMENT			
1	014983	3	. Exhaust U-Clamp $1\frac{5}{8}$ "
2	030392	3	. Bracket
3	025006	1	. High-pressure spray bar assembly
4	030323	1	. Low-pressure spray bar assembly

When ordering replacement parts, always give the machine's Serial Number and specify Part Number, Quantity & Description



HIGH PRESSURE SPRAY BAR ASSEMBLY



DUAL HIGH & LOW PRESSURE SPRAY BAR ASSEMBLY

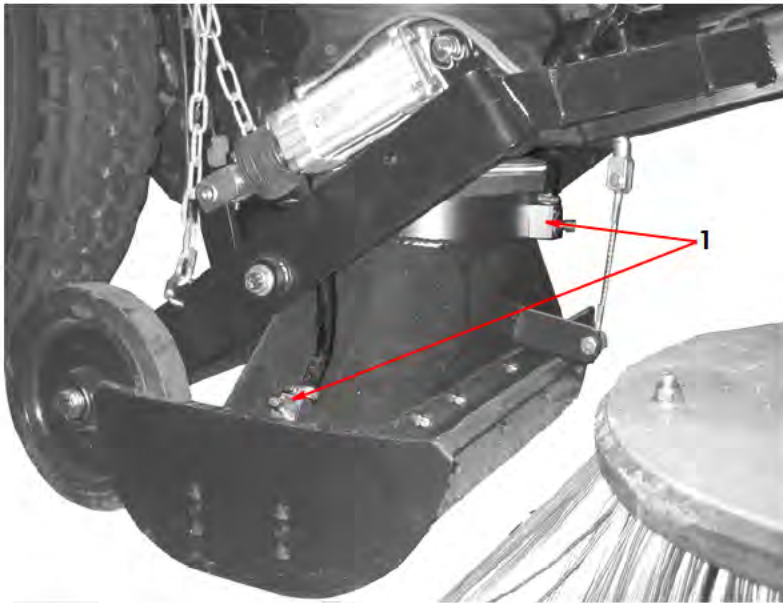
When ordering replacement parts, always give the machine's Serial Number and specify Part Number, Quantity & Description



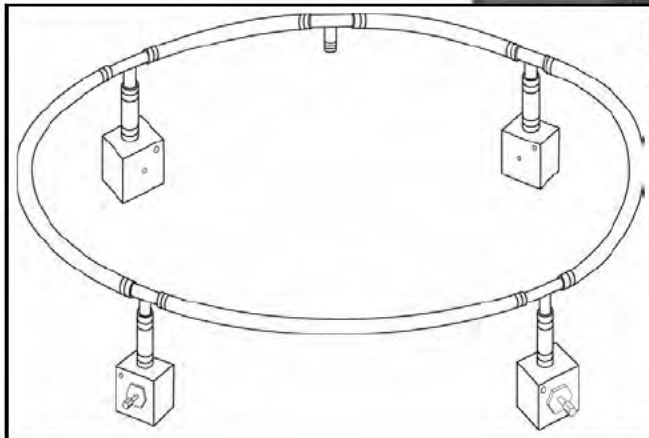
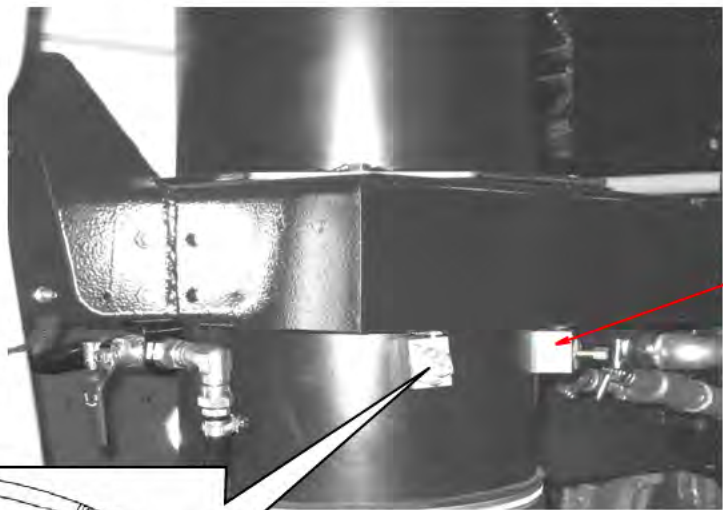
<i>Item</i>	<i>Part no</i>	<i>Quantity</i>	<i>Description</i>
SUCTION BOX L-P SPRAY NOZZLE ARRANGEMENT			
1	013360	4	. Jet assembly
	011001	4	. . Bolt, hex hd, M6 x 16mm long
	010950	As Req	. Hose, plastic reinforced, $\frac{3}{8}$ "
	003000	3	. Tee
	010516	11	. . Hose clip, worm drive, 11 mm - 16 mm

<i>Item</i>	<i>Part no</i>	<i>Quantity</i>	<i>Description</i>
SUCTION TUBE L-P SPRAY NOZZLE OPTION			
1	013360	4	. Jet assembly
	011001	4	. . Bolt, hex hd, M6 x 16mm long
	010950	As Req	. Hose, plastic reinforced, $\frac{3}{8}$ "
	003000	5	. Tee
	010516	18	. . Hose clip, worm drive, 11 mm - 16 mm

When ordering replacement parts, always give the machine's Serial Number and specify Part Number, Quantity & Description



SUCTION BOX DUST SUPPRESSION



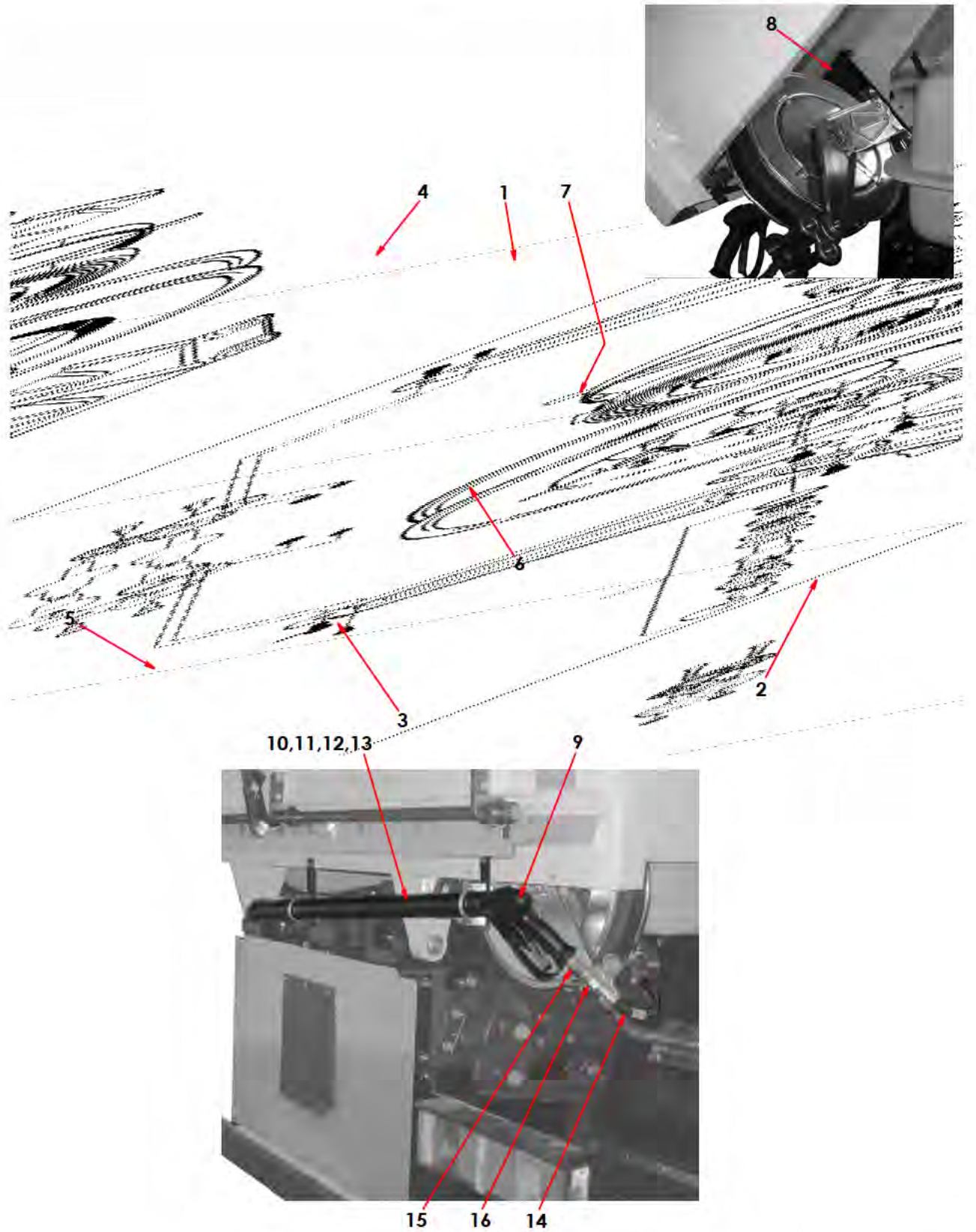
SUCTION TUBE DUST SUPPRESSION

When ordering replacement parts, always give the machine's Serial Number and specify Part Number, Quantity & Description



<i>Item</i>	<i>Part no</i>	<i>Quantity</i>	<i>Description</i>
AUTOMATIC HOSE REEL & LANCE ASSEMBLY (OPION)			
1	020451	1	Automatic hose reel complete (less hose)
2	024230	1	. Elbow, Swivel Assembly
3	025238	1	. Roller Assembly
4	026753	1	. Coiled Spring
5	026217	1	. Clamp
6	026754	1	. Tension Spring
7	030570	1	. Ratchet
8	034390	1	. Bracket, Hose Reel
9	010748	1	. Hand lance
10	025473	1	. Lance Holder
11	012901	2	. U-Clamp
12	032265	1	. Bracket, Lance Holder (Short)
13	032266	1	. Bracket, Lance Holder (Long)
14	010601	13 m	. Hose, Rubber reinforced
15	024463	1	. Joint, Swivel
16	011159	1	. Adaptor $\frac{3}{8}$ " BSP, M/M

When ordering replacement parts, always give the machine's Serial Number and specify Part Number, Quantity & Description



E

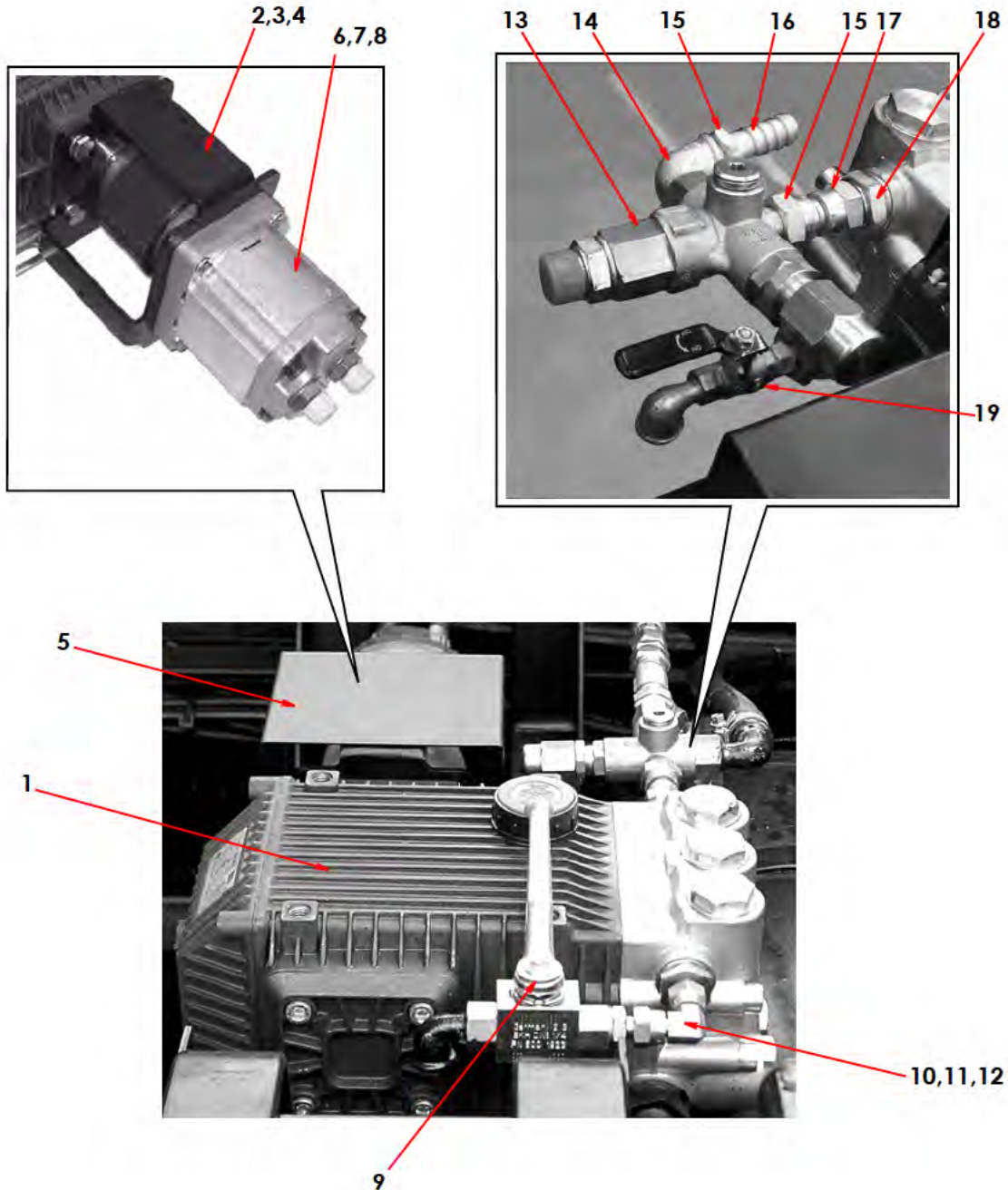
AUTOMATIC HOSE REEL & HAND LANCE

When ordering replacement parts, always give the machine's Serial Number and specify Part Number, Quantity & Description



Item	Part no	Quantity	Description
HIGH-PRESSURE PUMP ARRANGEMENT - 30 LITRE (OPTION)			
1	028486	1	. Pump, high-pressure, 30 litres/minute
2	028487	1	. . Coupling
3	023201	1	. . Mounting bracket, motor mount
4	020312	1	. . Sleeve, coupling
5	023202	1	. . . Guard, coupling
6	023196	1	. Motor, hydraulic, 19 cc
7	011167	2	. . Adaptor, $\frac{1}{2}$ " BSP x $\frac{3}{8}$ " BSP
8	011154	1	. . . Seal, Dowty, $\frac{1}{2}$ "
9	011257	1	. Ball valve $\frac{1}{4}$ " BSP, pump high-pressure drain
NI	010910	1	. . Elbow, galvanised, $\frac{1}{4}$ " BSP
10	011158	1	. . Adaptor, $\frac{1}{4}$ " BSP x $\frac{1}{4}$ " BSP
NI	011152	1	. . . Seal, Dowty, $\frac{1}{4}$ "
11	011169	1	. . Elbow, swivel, $\frac{1}{4}$ " BSP, F/F
12	011199	1	. . . Adaptor, $\frac{3}{8}$ " BSP x $\frac{1}{4}$ " BSP
NI	011153	1 Seal, Dowty, $\frac{3}{8}$ "
13	010599	1	. Valve unloader
14	003015	1	. . Elbow, galvanised, $\frac{1}{2}$ " BSP, M/F
15	010914	1	. . . Bush, reducing, $\frac{1}{2}$ " x $\frac{3}{8}$ "
16	010930	1	. . . Hose tail $\frac{3}{8}$ " BSP x $\frac{5}{8}$ "
17	011178	1	. . Adaptor, $\frac{1}{2}$ " BSP 16/8/8, F/F
18	011160	2	. . . Adaptor, $\frac{1}{2}$ " x $\frac{1}{2}$ "
NI	011154	1 Seal, Dowty, $\frac{1}{2}$ "
19	011743	1	. Valve, ball $\frac{1}{4}$ " BSP, pump low-pressure drain
NI	028727	1	. Pump adapter plate
NI	028728	As Req	. . Spacer to suit 028727 Pump adapt

When ordering replacement parts, always give the machine's Serial Number and specify Part Number, Quantity & Description



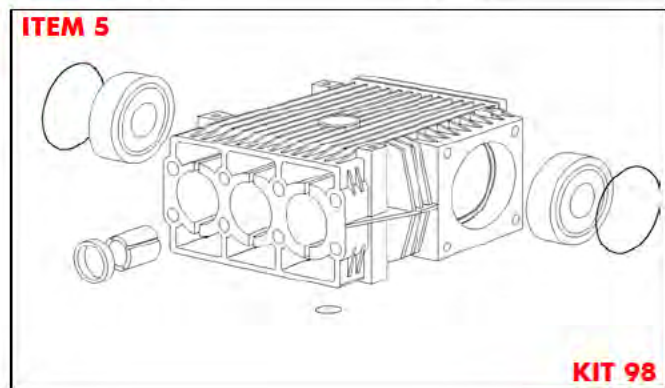
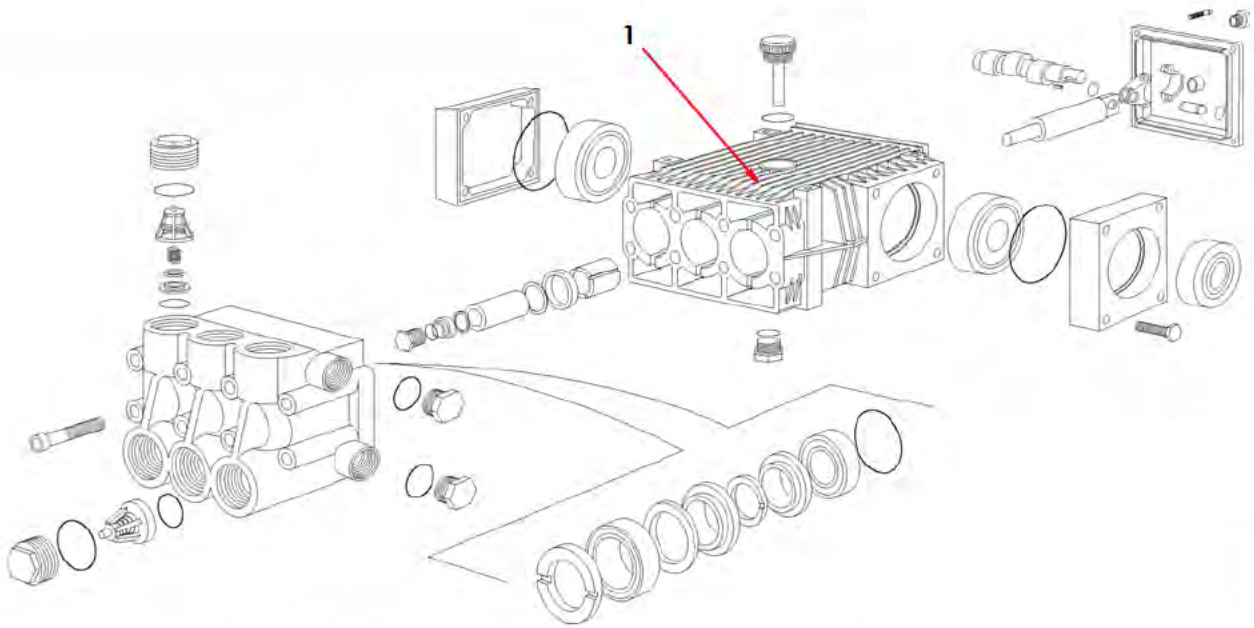
PUMP ASSEMBLY - 30 LITRE, HIGH-PRESSURE (OPTION)

When ordering replacement parts, always give the machine's Serial Number and specify Part Number, Quantity & Description



<i>Item</i>	<i>Part no</i>	<i>Quantity</i>	<i>Description</i>
			HIGH-PRESSURE PUMP, 30 LITRE (OPTION)
1	028486	1	Water pump 30 litre - 160 bar
2	030603	1	. Seal kit (KIT 37)
3	030604	1	. Valve kit Including O rings (KIT 40)
4	030605	1	. Water seal kit (KIT 91)
5	030606	1	. Full oil seal kit (KIT 98)
6	030607	1	. Valve cap kit Including O Rings (KIT 100)

When ordering replacement parts, always give the machine's Serial Number and specify Part Number, Quantity & Description



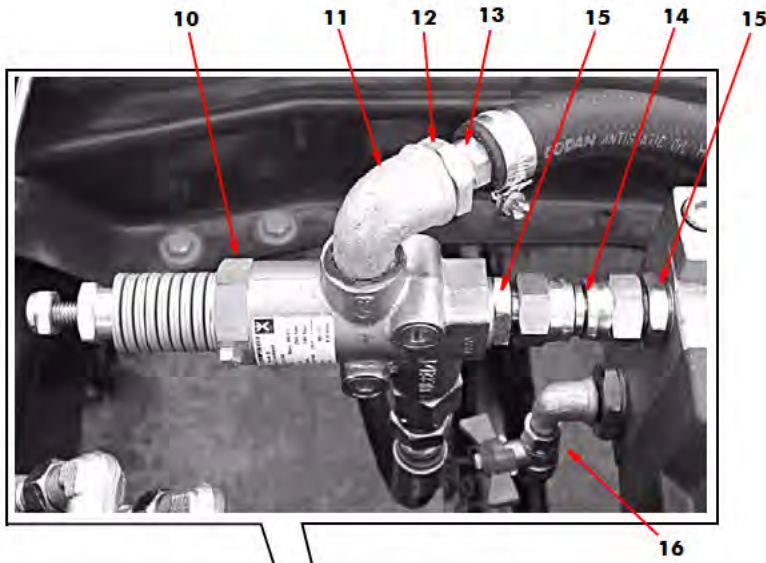
30 LITRE HIGH-PRESSURE PUMP

When ordering replacement parts, always give the machine's Serial Number and specify Part Number, Quantity & Description

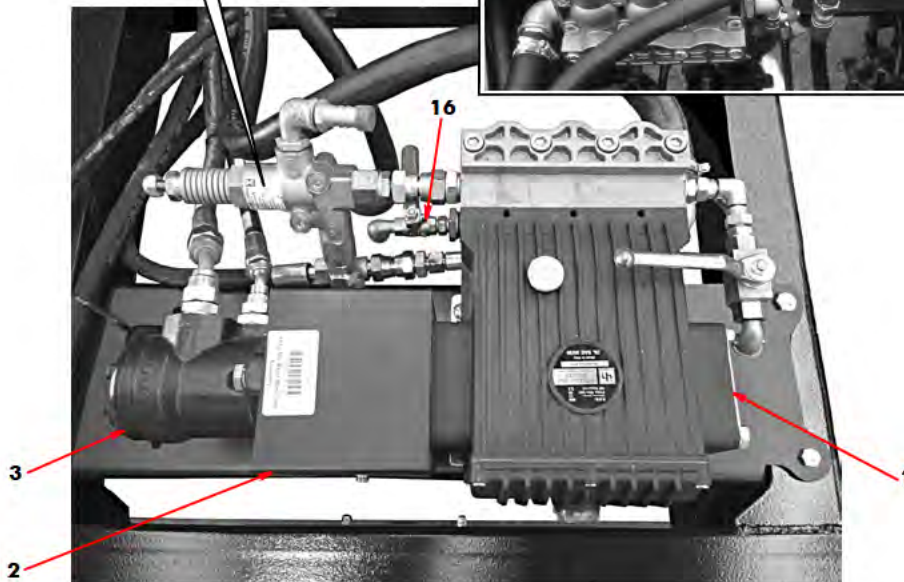
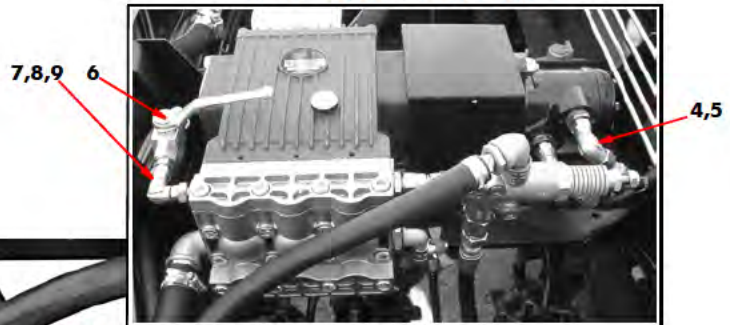


Item	Part no	Quantity	Description
HIGH PRESSURE PUMP ASSEMBLY, 42 LITRE (OPTION)			
1	020308	1	. Pump, high-pressure, 42 litres/minute
NI	020311	1	. . Coupling half, 1 bore
NI	020309	1	. . Coupling half, 35 bore
NI	020312	1	. . Sleeve, coupling
2	020643	1	. . . Guard, coupling
3	013527	1	. Motor, hydraulic, Danfoss, OMP 50
4	011167	2	. . Adaptor, $\frac{1}{2}$ " BSP x $\frac{3}{8}$ " BSP
NI	011154	1	. . . Seal, Dowty, $\frac{1}{2}$ "
5	011172	2	. . Elbow, swivel, $\frac{3}{8}$ " BSP, M/F
NI	020347	1	. . Mounting bracket, motor
6	011257	1	. Ball valve $\frac{1}{4}$ " BSP, pump high-pressure drain
NI	010910	1	. . Elbow $\frac{1}{4}$ " BSP
7	011158	1	. . Adaptor, $\frac{1}{4}$ " BSP x $\frac{1}{4}$ " BSP
NI	011152	1	. . . Seal, Dowty, $\frac{1}{4}$ "
8	011169	1	. . Elbow, swivel, $\frac{1}{4}$ " BSP, F/F
9	011199	1	. . . Adaptor, $\frac{3}{8}$ " BSP x $\frac{1}{4}$ " BSP
NI	011153	1 Seal, Dowty, $\frac{3}{8}$ "
10	022739	1	. Valve, unloader ($\frac{1}{2}$ " BSP ports)
11	010942	1	. . Elbow $\frac{1}{2}$ " BSP, M/F
12	010914	1	. . . Bush, reducing, $\frac{1}{2}$ " BSP x $\frac{3}{8}$ " BSP
13	010930	1	. . . Hose tail $\frac{3}{8}$ " BSP x $\frac{5}{8}$ " BSP
14	011178	1	. . Adaptor, $\frac{1}{2}$ " BSP 16/8/8, F/F
15	011160	2	. . . Adaptor, $\frac{1}{2}$ " x $\frac{1}{2}$ "
NI	011154	1 Seal, Dowty, $\frac{1}{2}$ " BSP
16	011743	1	. Valve, ball $\frac{1}{4}$ " BSP, pump low-pressure drain

When ordering replacement parts, always give the machine's Serial Number and specify Part Number, Quantity & Description



VIEW ON OPPOSITE FACE



HIGH PRESSURE PUMP ASSEMBLY, 42 LITRE (OPTION)

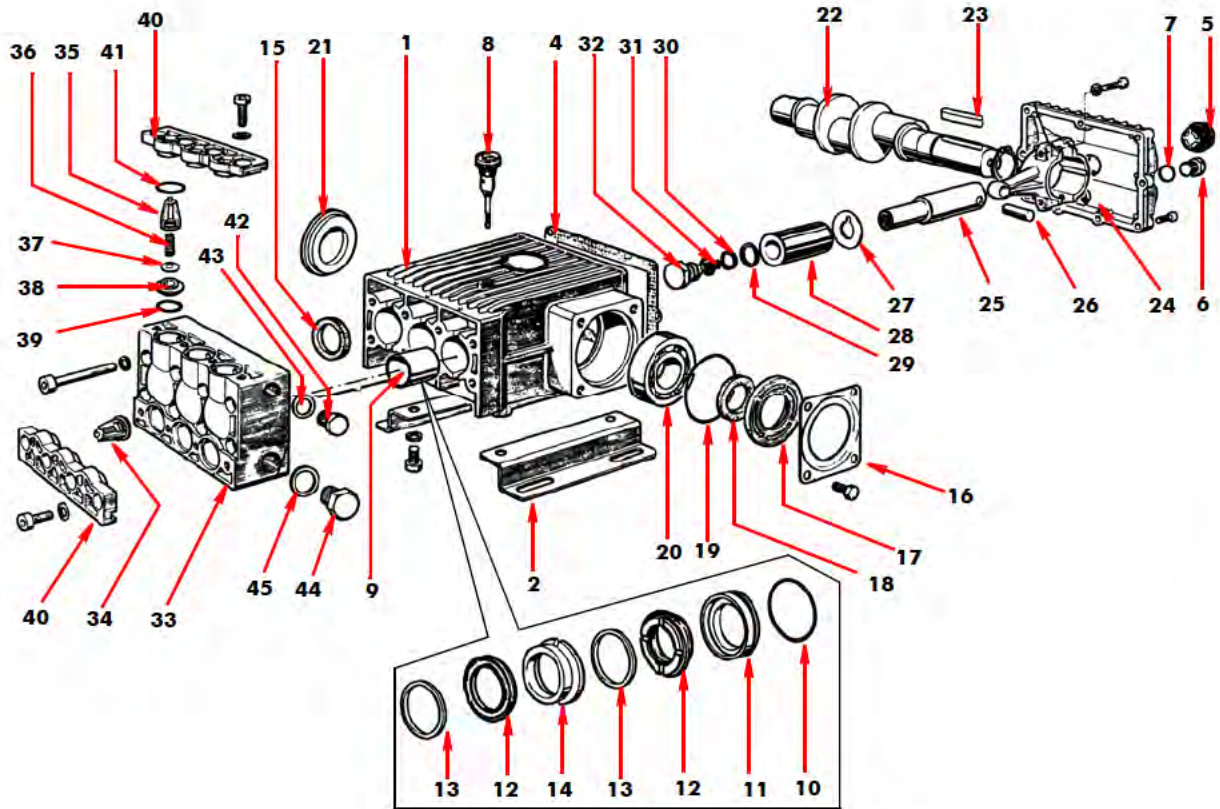
When ordering replacement parts, always give the machine's Serial Number and specify Part Number, Quantity & Description





Item	Part no	Quantity	Description
HIGH PRESSURE PUMP, 42 LITRE (OPTION)			
1	022110	1	. CRANKCASE
2	022136	2	.. Foot
	022139	4	... Bolt
	022138	4	... Washer
3	022119	1	.. Rear cover
	022126	9	... Bolt
4	022112	1	... Gasket, rear cover
5	022124	1	... Oil sight glass
6	022125	1	... Cap
7	022123	1 O-Ring
8	022111	1	.. Dipstick
9	022137	3	.. Cylinder guide
10	022144	3	.. O-Ring
11	022145	3	.. Oil seal
12	022146	6	.. Oil seal
13	022147	6	.. Oil seal
14	022148	3	.. Collar
15	022109	3	.. Oil seal
16	022131	2	.. Crankcase cover, bearing assembly
	022130	8	... Bolt
17	022132	1	.. Spacer
18	022133	1	.. Seal
19	022134	2	.. O-Ring
20	022135	2	.. Bearing
21	022151	1	.. Spacer
22	022118	1	. CRANKSHAFT
23	022149	1	.. Key
	022150	1	.. Circlip
24	022120	3	.. Connecting rod
25	022128	3	... Piston guide
26	022127	3 Pin
27	022129	3 Washer
28	022117	3 Piston
29	022116	3 Washer
30	022115	3 Washer
31	022114	3 O-Ring
32	022113	3 Piston bolt
33	022143	1	. HEAD
	022098	8	.. Bolt, hex hd, M10 x 80 mm long
	022099	8	.. Washer
34	022105	6	.. Valve, complete
35	022104	6	... Valve
36	022103	6	... Spring
37	022102	6	... Valve ring
38	022101	6	... Valve seat
39	022100	6	... O-Ring
40	022107	2	.. Cover
	022108	4	... Bolt
	022099	4	... Washer
41	022106	6	... O-Ring
42	022125	2	.. Cap
43	022142	1	... Washer
44	022140	1	.. Plug
45	022141	1	... Washer

When ordering replacement parts, always give the machine's Serial Number and specify Part Number, Quantity & Description



HIGH-PRESSURE PUMP, 42 LITRE

SEAL KIT COMPOSITIONS

- | | | |
|-----------|---|---|
| NI 022152 | 1 | . Kit No 32, Comprising 2 x Item 18 |
| NI 022153 | 1 | . Kit No 37, Comprising 3 x Item 15 |
| NI 022154 | 1 | . Kit No 38, Comprising 3 x Item 12 |
| NI 022155 | 1 | . Kit No 39, Comprising Items 10, 11, 12, 13 & 14 |
| NI 022156 | 1 | . Kit No 40, Comprising 3 x Items 10 & 11 |
| NI 022157 | 1 | . Kit No 41, Comprising 6 x Item 13 |
| NI 022158 | 1 | . Kit No 42, Comprising 6 x Item 14 |
| NI 022159 | 1 | . Kit No 62, Comprising 6 x Items 35, 36, 37, 38 & 39 |
| NI 022160 | 1 | . Kit No 74, Comprising 3 x Items 29, 30, 31 & 32 |



When ordering replacement parts, always give the machine's Serial Number and specify Part Number, Quantity & Description



THIS PAGE INTENTIONALLY LEFT BLANK

When ordering replacement parts, always give the machine's Serial Number and specify Part Number, Quantity & Description

ILLUSTRATED PARTS CATALOGUE

SCARAB M6

SECTION F HYDRAULIC EQUIPMENT

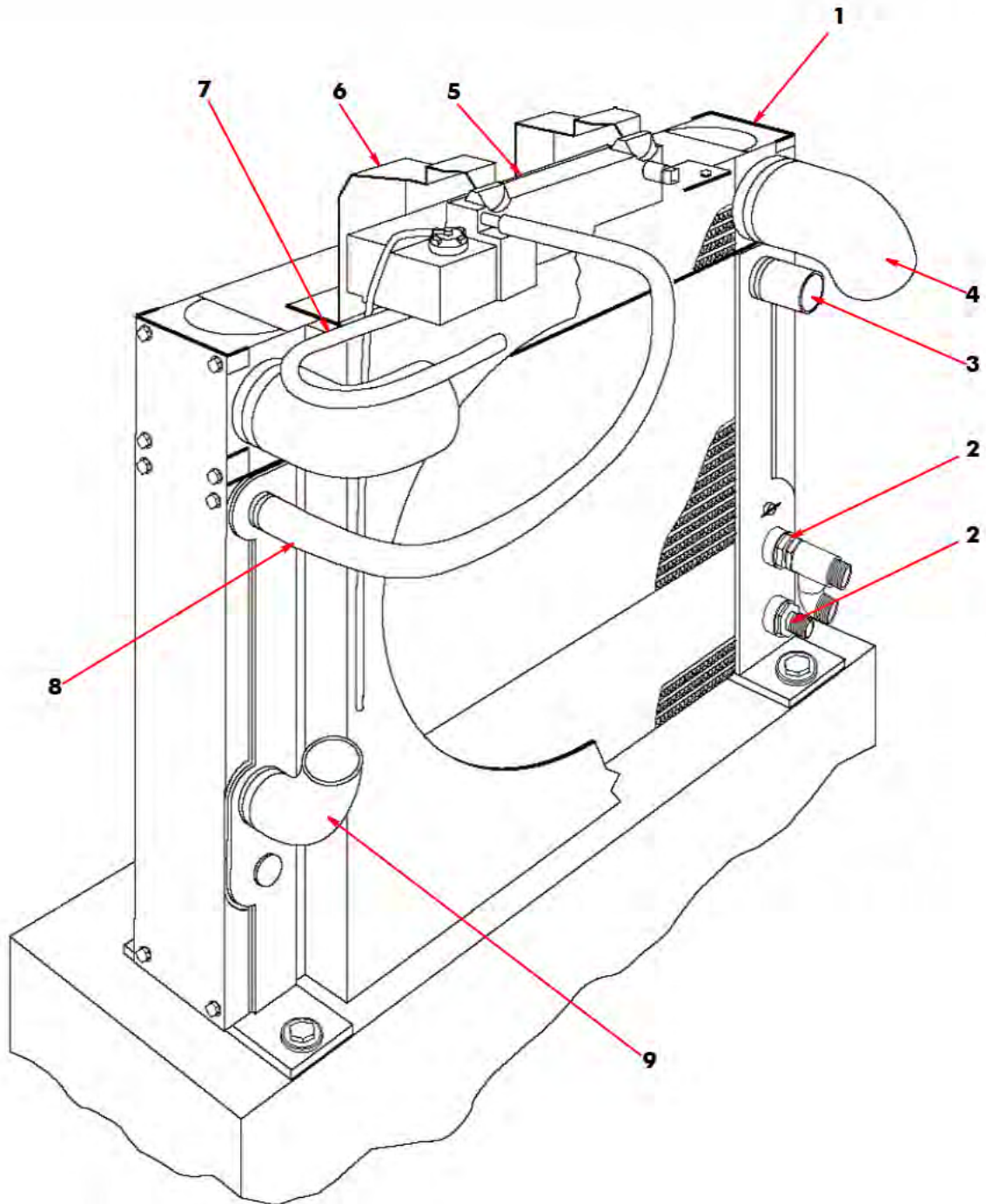
Table of Contents

Assembly/Description	Page
GENERAL GANTRY ARRANGEMENT & HYDRAULIC TANK	
Oil/Water Cooling General Arrangement	1
Hydraulic Tank Arrangement	3
VALVE BLOCK ASSEMBLYS	
Main Valve Block	5
Main Valve Block Pipe Fittings.	7
PUMPS & MOTORS	
Suction Fan Motor & Associated Spares	9
Gear & Suction Pump Arrangement	9
Hydraulic Motor - 30ltr Water Pump	11
Hydraulic Motor - Low Pressure Water Pump.	11
Hydraulic Motor - Widesweep Brush / Side brush)	11
RAMS	
Ram - Hopper Lift	12
Ram - Side Brush Lift	12
Ram - Rear Door Open/Close.	12
HOPPER & REAR DOOR CONTROLS	
Operating Levers	15
AUXILIARY HAND PUMP & HIGH-PRESSURE FILTER	
Hand Pump Valve	17
Filter	17
HYDRAULIC CIRCUITS	
Hopper Rear Door & HP Pump	19
Brushes, LP Pump & Suction Fan	21
STEEL PIPING	
Steel Pipe Clamps.	23



<i>Item</i>	<i>Part Number</i>	<i>Quantity</i>	<i>Description</i>
COMBINED RADIATOR/OIL COOLER			
1	033711	1	. Radiator/Oil Cooler
	000024	4	.. Setscrew, hex hd, M12 x 40 mm Long
	012969	8	.. Washer, rubber
	013448	4	.. Washer, M12
	011077	4	.. Nut, Nyloc, M12
2	011235	1	.. Hose tail, 1/2" BSP x 16 mm
NI	011166	2	.. Nipple, hex 3/4" x 1/2" BSP
NI	011155	2	... Seal, Dowty 3/4" BSP
3	033593	1	.. Hose, rubber (moulding)
NI	003007	1	... Jubilee clip 2A
4	033590	1	.. Hose, rubber (moulding)
NI	005112	2	... Jubilee clip 3X
5	034954	1	.. Expansion bottle
6	035537	1	... Bracket, expansion bottle
NI	011010	4 Setscrew, hex M8 x 30 mm long
NI	011092	4 Washer, M8
7	033591	1	.. Hose, rubber (moulding)
8	010516	As Req	.. Hose, rubber, 8 mm
NI	010922	1	.. Hose tail, 1/4" BSP x 3/8"
NI	010517	2	... Jubilee clip M00
9	033592	1	.. Hose, rubber (moulding)
NI	012927	1	... Jubilee clip 2

When ordering replacement parts, always give the machine's Serial Number and specify Part Number, Quantity & Description



F

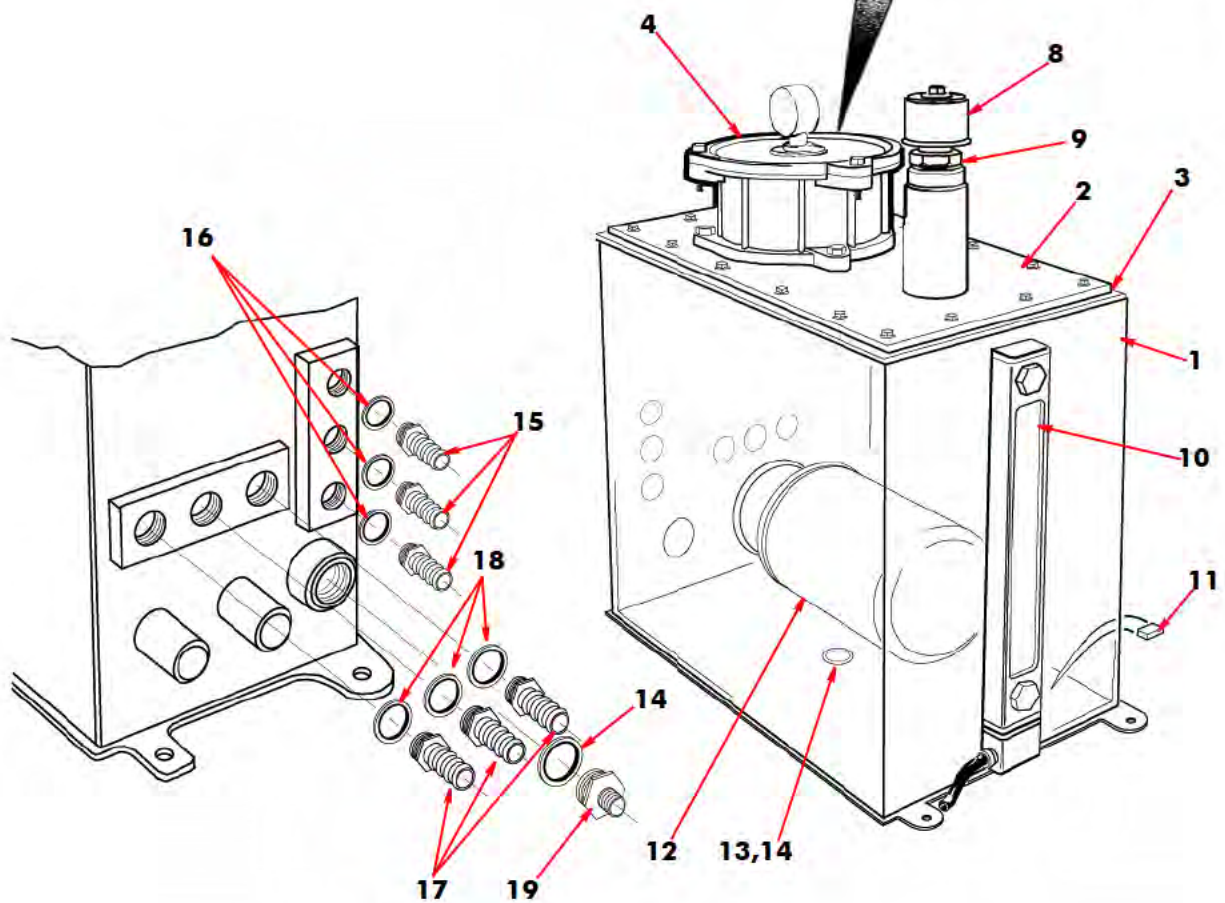
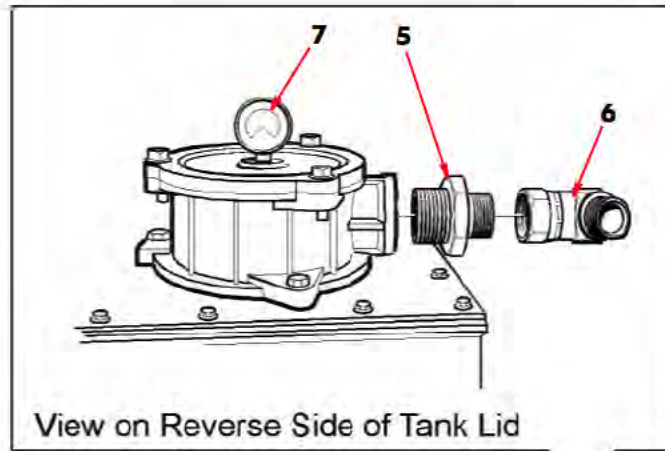
COMBINED RADIATOR/OIL COOLER

When ordering replacement parts, always give the machine's Serial Number and specify Part Number, Quantity & Description



<i>Item</i>	<i>Part Number</i>	<i>Quantity</i>	<i>Description</i>
	034415		HYDRAULIC TANK ARRANGEMENT
1	034328	1	Tank, Hydraulic oil
	011031	4	. . Setscrew, hex hd, M10 x 30 mm long (tank assy to cooler/sub frames)
	011075	4	. . Nut, Nyloc, M10
2	034329	1	. Lid, oil tank
3	034602	1	. . Gasket, tank lid
	011067	18	. . Setscrew, hex hd, M6 x 20 mm long
	000339	18	. . Washer, shakeproof M6
4	013123	1	. Filter, return (Seal Kit 024405)
NI	013125	1	. . Element, return filter
	011032	3	. . Setscrew, hex hd, M10 x 30 mm long
	011075	3	. . Nut, Nyloc, M10
5	011252	1	. . . Adaptor, reducing, 1 $\frac{1}{4}$ " BSP x 1" BSP
NI	011150	1 Seal, Dowty, 1 $\frac{1}{4}$ "
6	011175	1	. . . Elbow, swivel, 90° x 1" BSP
7	021719	1	. . Gauge
8	020688	1	. Filter, air breather
NI	011156	1	. . Seal, Dowty, 1"
9	020689	1	. . Plug, filler
10	024039	1	. Gauge, fluid level, c/w fixing screws
NI	021979	2	. . Washer, sealing, rubber (when refitting, torque screws to 10 Nm)
11	010305	1	. Magnet
NI	028778	3	. . Hose clip, worm drive, high torque
12	020687	1	. Element, suction filter
13	011243	1	. Plug, $\frac{3}{4}$ " BSP
14	011155	2	. . Seal, Dowty, $\frac{3}{4}$ "
15	010923	3	. Hose tail, 3/8" BSP x $\frac{5}{8}$ " hose
16	011153	3	. Seal, Dowty, 3/8"
NI	010517	3	. Jubilee clip M00
17	002159	3	. Hose Tail, $\frac{1}{2}$ " BSP x $\frac{5}{8}$ " Hose
18	011154	3	. Seal, Dowty, $\frac{1}{2}$ "
NI	010516	3	. Jubilee clip 0X
19	011164	1	. Adaptor, $\frac{3}{4}$ " x $\frac{1}{4}$ " BSP

When ordering replacement parts, always give the machine's Serial Number and specify Part Number, Quantity & Description



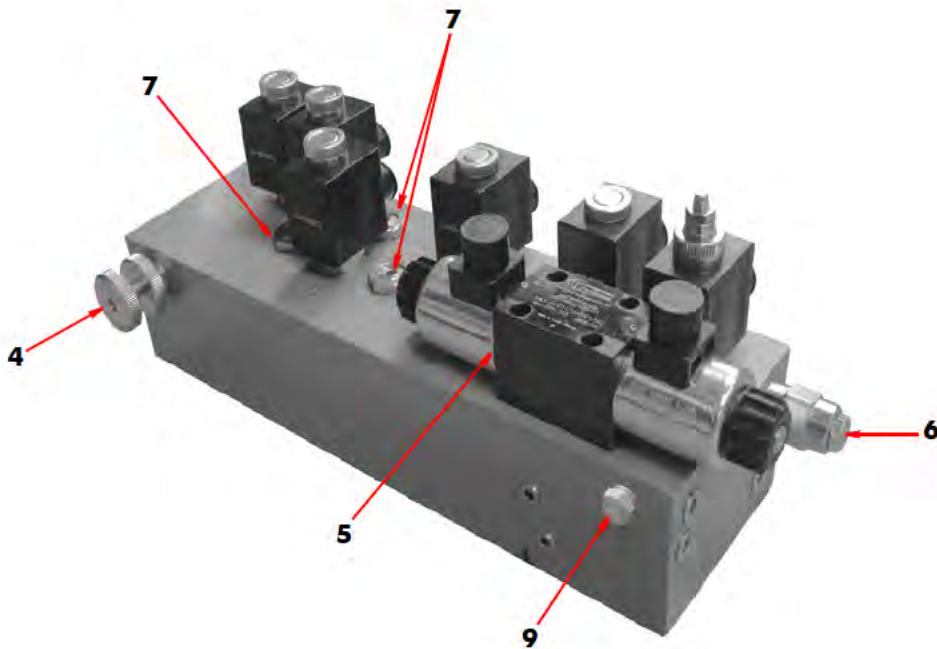
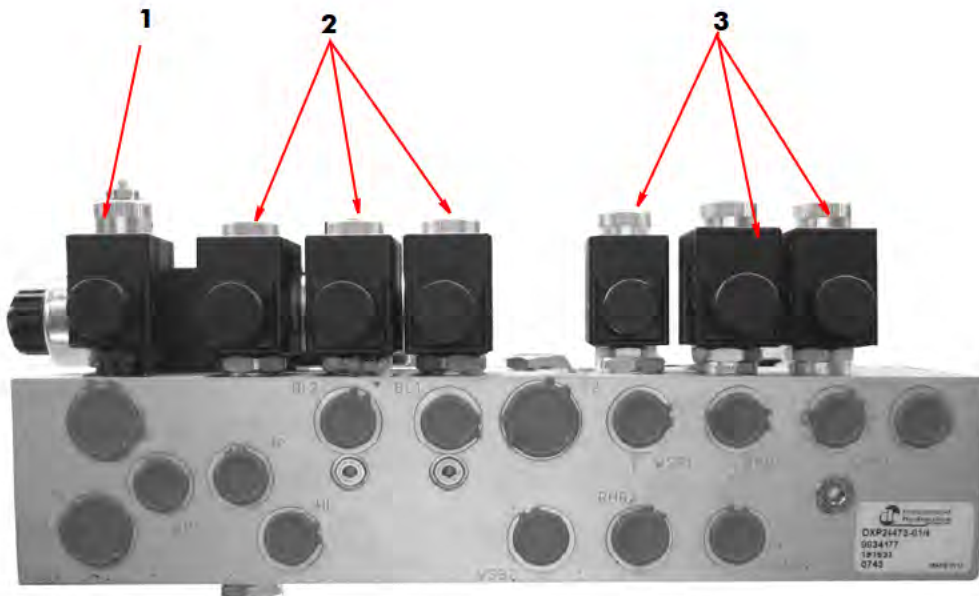
HYDRAULIC TANK ARRANGEMENT

When ordering replacement parts, always give the machine's Serial Number and specify Part Number, Quantity & Description



<i>Item</i>	<i>Part Number</i>	<i>Quantity</i>	<i>Description</i>
MAIN VALVE BLOCK COMPONENTS			
	034177		Basic valve block
1	034967	1	Solenoid valve S501N-2
	034976	1	. Coil, 24 V, C16H24/19
	034968	1	. Seal kit, SK243
2	034979	As Req	Solenoid valve S502N
	034970	As Req	. Coil, 24 V, C16H24/19
	034971	As Req	. Seal kit, SK1028
3	034976	As Req	Solenoid valve S501N
	034970	As Req	. Coil, 24 V, C16H24/19
	034971	As Req	. Seal kit, SK1028
4	034974	1	Needle valve AXP 3945-30
	034975	1	. Seal kit, SK118
5	034972	1	Directional control valve RPE3063Z11/24E1
	034973	2	. Coil, 24 V, 96944-0024
6	034967	1	Relief valve 1DR30-P-20S
	034968	1	. Seal kit, SK243
7	034977	3	Cartridge, check 3CA80-3.5S
	034978	3	. Seal kit, SK226
8	034980	1	Cartridge, check 3CA20-0.2S
	034981	1	. Seal kit, SK396
9	002063	1	Plug M12 x 1.5 pitch

When ordering replacement parts, always give the machine's Serial Number and specify Part Number, Quantity & Description



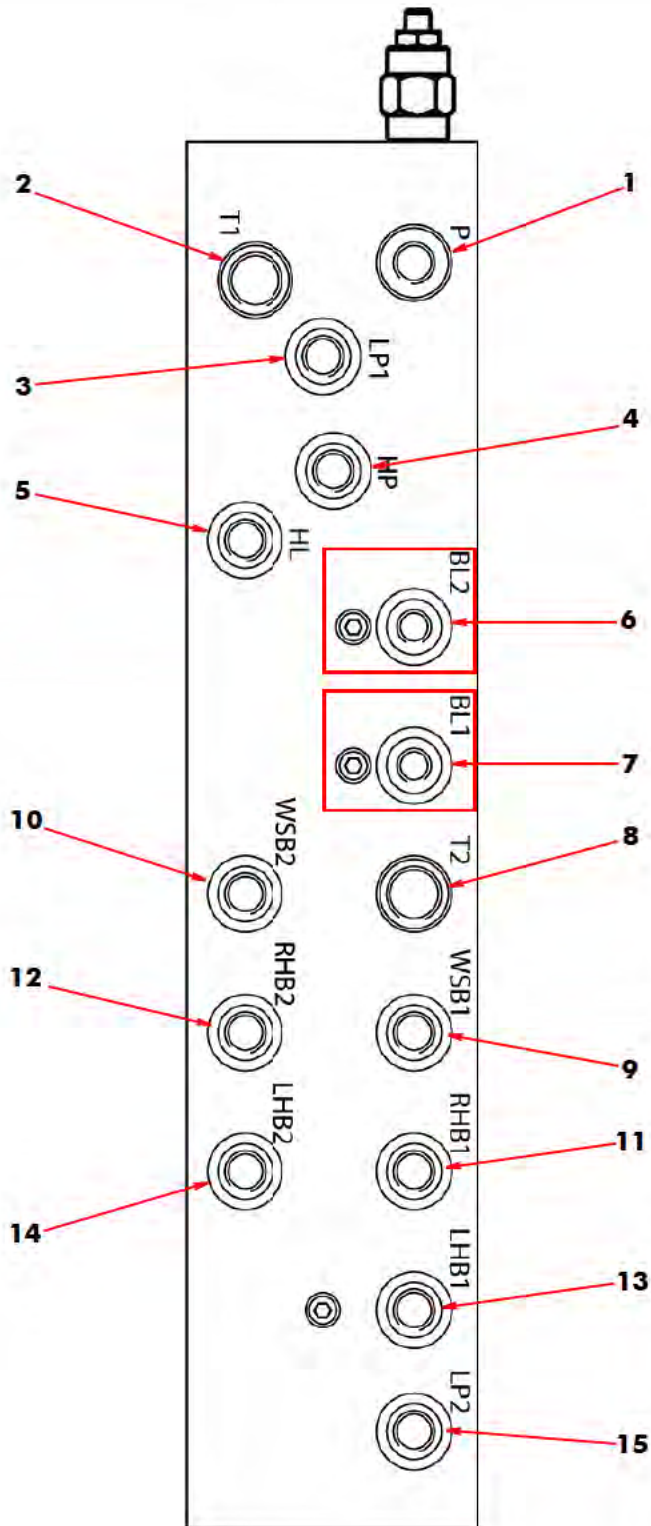
MAIN CONTROL VALVE BLOCK

When ordering replacement parts, always give the machine's Serial Number and specify Part Number, Quantity & Description



<i>Item</i>	<i>Part Number</i>	<i>Quantity</i>	<i>Description</i>
MAIN VAVE BLOCK PIPE FITTINGS			
1	011266	1	. Adaptor, Port P, M20 x $\frac{3}{8}$ " BSP, M/M
	011267	1	. . Seal, Dowty, M20
2	002174	1	. Adaptor, Port T1, M20 x $\frac{1}{2}$ " BSP, M/M
	011267	1	. . Seal, Dowty, M20
3	002175	1	. Stud, Port LP1, M16 x 12 mm long, M
	011217	1	. . Seal, Dowty, M16
4	011186	1	. Adaptor, Port HP, M16 x $\frac{3}{8}$ " BSP, M/M
	011217	1	. . Seal, Dowty, M16
5	011186	1	. Adaptor, Port HL, M16 x $\frac{3}{8}$ " BSP, M/M
	011217	1	. . Seal, Dowty, M16
6	002176	1	. Adaptor, Port BL2, M16 BSP
	011217	1	. . Seal, Dowty, M16
6	020902	1	. Stud, $\frac{1}{4}$ " x 6 mm long, M (Port BL2)
	011152	1	. . Seal, Dowty, $\frac{1}{4}$ " BSP
7	002176	1	. Adaptor, Port BL1, M16 x $\frac{1}{4}$ " BSP, M/F
	011217	1	. . Seal, Dowty, M16
7	020902	1	. Stud, $\frac{1}{4}$ " x 6 mm long, M (Port BL1)
	011152	1	. . Seal, Dowty, $\frac{1}{4}$ " BSP
8	002174	1	. Adaptor, Port T2, M20 x $\frac{1}{2}$ " BSP, M/M
	011267	1	. . Seal, Dowty, M20
9	002174	1	. Adaptor, Port WSB1, M20 x $\frac{1}{2}$ " BSP, M/M
	011267	1	. . Seal, Dowty, M20
10	002174	1	. Adaptor, Port WSB2, M20 x $\frac{1}{2}$ " BSP, M/M
	011267	1	. . Seal, Dowty, M20
11	002175	1	. Stud, M16 x 12 mm long, M (Port RHB1)
	011217	1	. . Seal, Dowty, M16
12	002175	1	. Stud, M16 x 12 mm long, M (Port RHB2)
	011217	1	Seal, Dowty, M16
13	002175	1	. Stud, M16 x 12 mm long, M (Port LHB1)
	011217	1	Seal, Dowty, M16
14	002175	1	. Stud, M16 x 12 mm long, M (Port LHB2)
	011217	1	. . Seal, Dowty, M16
15	002175	1	. Stud, M16 x 12 mm long, M (Port LP2)
	011217	1	. . Seal, Dowty, M16

When ordering replacement parts, always give the machine's Serial Number and specify Part Number, Quantity & Description



MAIN VAVE BLOCK PIPE FITTINGS

When ordering replacement parts, always give the machine's Serial Number and specify Part Number, Quantity & Description



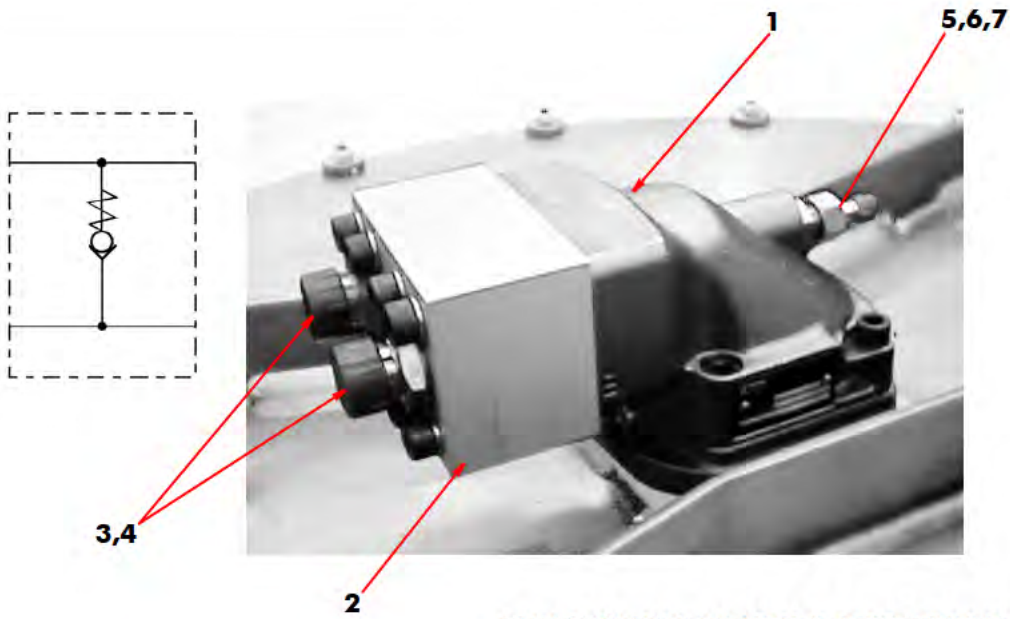
<i>Item</i>	<i>Part Number</i>	<i>Quantity</i>	<i>Description</i>
SUCTION FAN MOTOR & ASSOCIATED PARTS			
1	024641	1	SUCTION FAN MOTORPage C11
	000048	4	. Screw, skt hd, M10 x 80 mm long
	011095	4	. Washer, spring 10 mm
NI	027237	1	. Seal kit, fan motor
2	025390	1	. . Valve block assembly
	011413	6	. . Cap screw, skt hd, M10 x 75 mm long
3	011151	2	. Adaptor, $\frac{3}{4}$ " BSP x $\frac{3}{4}$ " BSP
4	011155	1	. . Seal, Dowty, $\frac{3}{4}$ "
5	011248	1	. Adaptor, M18 x $\frac{3}{8}$ " BSP
6	011247	1	. Seal, Dowty, M18
7	010921	1	. Hose, Tail, $\frac{3}{8}$ " BSP x $\frac{3}{8}$ " tube

<i>Item</i>	<i>Part Number</i>	<i>Quantity</i>	<i>Description</i>
GEAR & SUCTION FAN PUMP ARRANGMENT			
1	034268	1	Gear pump 19.2 cc
2	014217	1	. DFR valve
3	023620	1	. Fan pump
4	011155	5	. Seal, Dowty, $\frac{7}{8}$ "
5	011224	1	. Adaptor, $\frac{3}{4}$ " x $\frac{3}{8}$ " BSP, M/M
6	011161	1	. Adaptor, $\frac{3}{4}$ " x 1" hose
7	011231	1	. Elbow
8	011230	2	. Elbow clamp
9	011154	1	. Seal, Dowty, $\frac{1}{2}$ "
10	011160	1	. Adaptor, $\frac{1}{2}$ "
11	011234	1	. Elbow, $\frac{1}{2}$ " BSP x $\frac{5}{8}$ " hose
12	011196	1	. Elbow, swept, $\frac{3}{4}$ " BSP, M/F
13	013689	1	. Valve block
14	011151	2	. Seal, Dowty, $\frac{1}{8}$ "
15	011163	1	. Adaptor, $\frac{1}{8}$ " x $\frac{1}{4}$ " BSP
16	006045	1	. Straight connector, $\frac{1}{4}$ " BSP
17	011152	2	. Seal, Dowty, $\frac{1}{4}$ "
19	013036	1	. Test point
20	011242	2	. Plug, $\frac{3}{4}$ "
21	011153	1	. Seal, Dowty, $\frac{3}{8}$ "
22	011199	1	. Adaptor, $\frac{3}{8}$ " x $\frac{1}{4}$ " BSP, M/M
23	014635	1	. Valve, solenoid
24	020009	1	. Coil, 24 V
NI	014552	1	Seal kit, fan pump

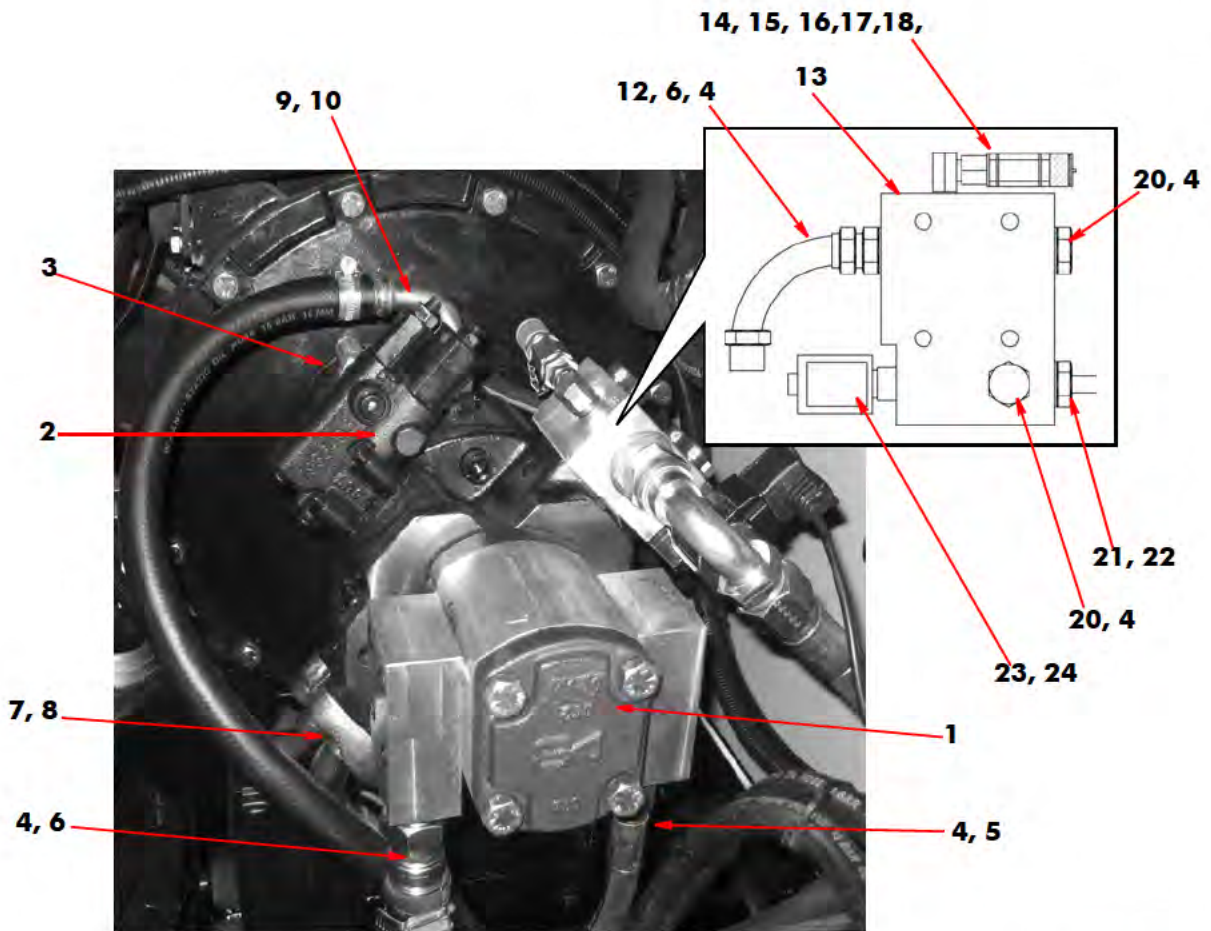
Note:

Some items in the Seal Kit are intended for use in the pump's control valve

When ordering replacement parts, always give the machine's Serial Number and specify Part Number, Quantity & Description



SUCTION FAN MOTOR & ASSOCIATED PARTS



GEAR & SUCTION FAN PUMP ARRANGMENT



When ordering replacement parts, always give the machine's Serial Number and specify Part Number, Quantity & Description



<i>Item</i>	<i>Part Number</i>	<i>Quantity</i>	<i>Description</i>
	023196	1	HYDRAULIC MOTOR, 19 cc (30 litre WATER PUMP) (OPTION)
	000020	4	. Setscrew, Hex Hd, M6 x 30 mm long
	011090	8	. Washer, 6 mm
	011071	4	. Nut, Nyloc, M6
1	025469	-	.. Seal kit

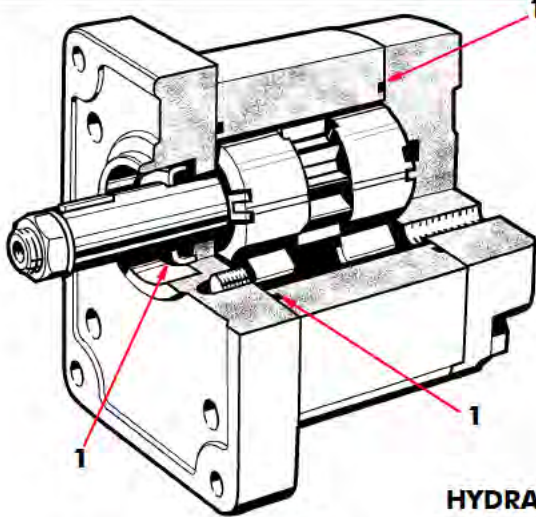
<i>Item</i>	<i>Part Number</i>	<i>Quantity</i>	<i>Description</i>
	013527	1	HYDRAULIC MOTOR, OMP50 (LP WATER PUMP)
	011069	2	. Setscrew, hex hd, M12 x 40 mm long
	011077	2	. Nut, Nyloc, M12
1	010762*	1	. Seal kit, Comprising the following six items:
		1	.. Dust seal, shaft
		1	.. Ring, KBADH
		1	.. O-Ring
		3	.. O-Ring
		7	.. Plain washer
		1	.. Plain washer
1	023069*	1	. Seal kit, Comprising the following six items:
		1	.. Dust seal, shaft
		1	.. KBADH-ring
		1	.. O-Ring
		3	.. O-Ring
		7	.. Plain washer
		1	.. Plain washer

* On non case drain motors use Seal Kit 010762. On motors that incorporate a case drain port (prefixed 151-33) use Seal Kit 023069

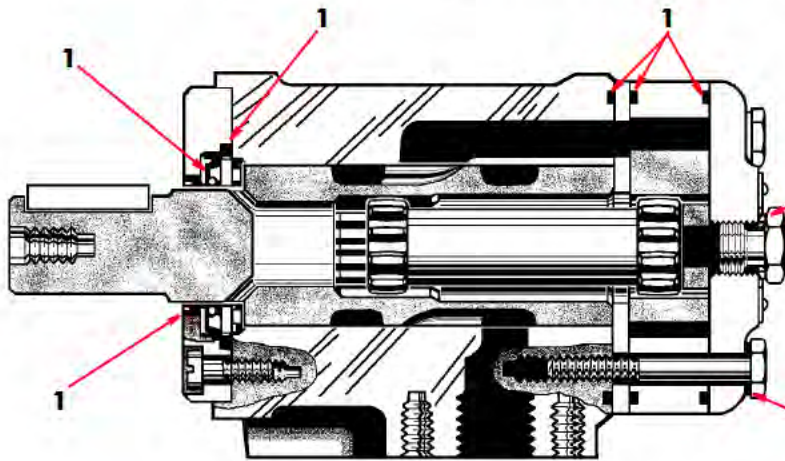
<i>Item</i>	<i>Part Number</i>	<i>Quantity</i>	<i>Description</i>
			HYDRAULIC BRUSH MOTORS
	010566	1 -	Hydraulic motor, OMP100 (widesweep)
	010749	- 1	Hydraulic motor, OMP200 (side brush)
1	023069*	1 1	. Seal kit
	011053	2 -	. Setscrew, hex hd, M12 x 35 mm long
	011069	- 2	. Setscrew, hex hd, M12 x 40 mm long
	011077	2 2	. Nut, Nyloc, M12



When ordering replacement parts, always give the machine's Serial Number and specify Part Number, Quantity & Description



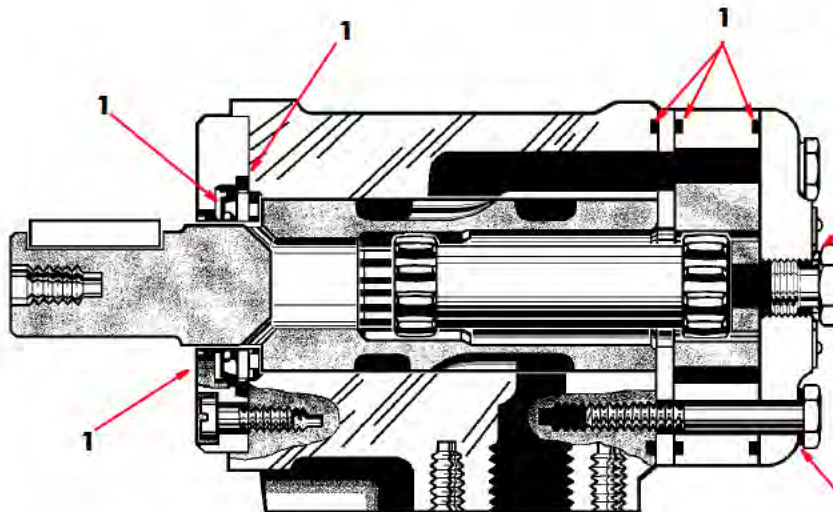
HYDRAULIC MOTOR 19 cc - 30 litre HP WATER PUMPS



Plain Washer x 1

Plain Washer x 7 positions

HYDRAULIC MOTOR - LP WATER



Plain Washer x 1

Plain Washer x 7

**HYDRAULIC MOTOR - WIDE SWEEP
& SIDE BRUSHES**



When ordering replacement parts, always give the machine's Serial Number and specify Part Number, Quantity & Description

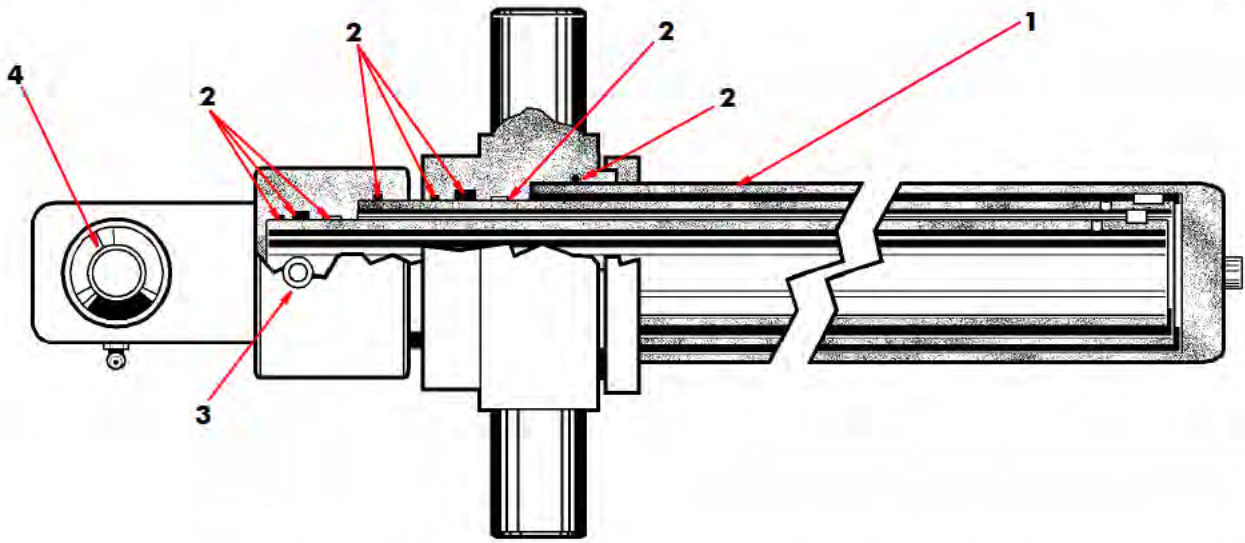


<i>Item</i>	<i>Part Number</i>	<i>Quantity</i>	<i>Description</i>
HOPPER RAM ASSEMBLY			
1	024249	1	. HOPPER LIFT RAM, DUAL STAGEPage C1
NI	027785	1	. Seal kit for 024249
NI	028178	1	. Integrated check valve ICEB30F
3	002017	4	. Elbow, Banjo, 1/4" BSP
NI	011152	4	. Seal, Dowty, 1/4"
4	012881	1	. Bearing, spherical

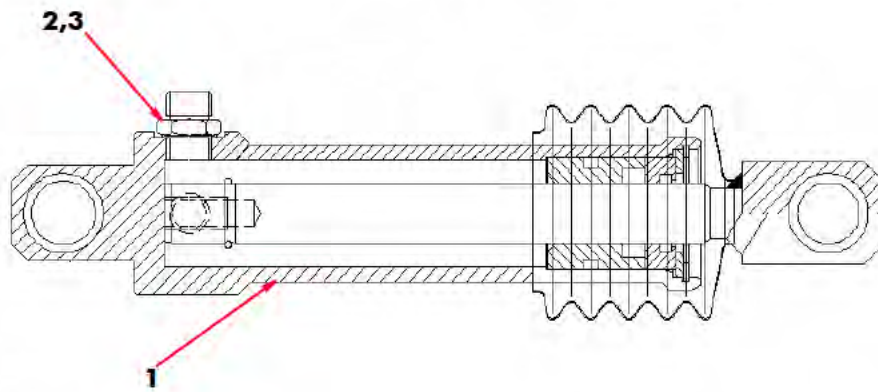
<i>Item</i>	<i>Part Number</i>	<i>Quantity</i>	<i>Description</i>
HYDRAULIC BRUSH RAM ASSEMBLY - Used on:			
1	024539	2	. NOZZLE LIFT / GOBBLER RAM
1	024539	2	. SIDE BRUSH LIFT RAM (RH & LH)
1	024539	2	. RH AND LH WIDE SWEEP SLEWING RAM
2	012539	1	. . Restrictor, No. 5 White, 1/4" BSP x 1/4" BSP
3	011152	1	. . Dowty seal 1/4" BSP
NI	002016	1	. . Plug, hex socket head 1/4" BSP
NI	014473	1	. . Bellows
NI	011629	1	. . Seal Kit, ram

<i>Item</i>	<i>Part Number</i>	<i>Quantity</i>	<i>Description</i>
REAR DOOR RAM ASSEMBLY			
1	034816	1	. Ram, double acting
2	011158	2	. . Adaptor, 1/4" BSP
3	011152	2	. . Seal, Dowty, 1/4"

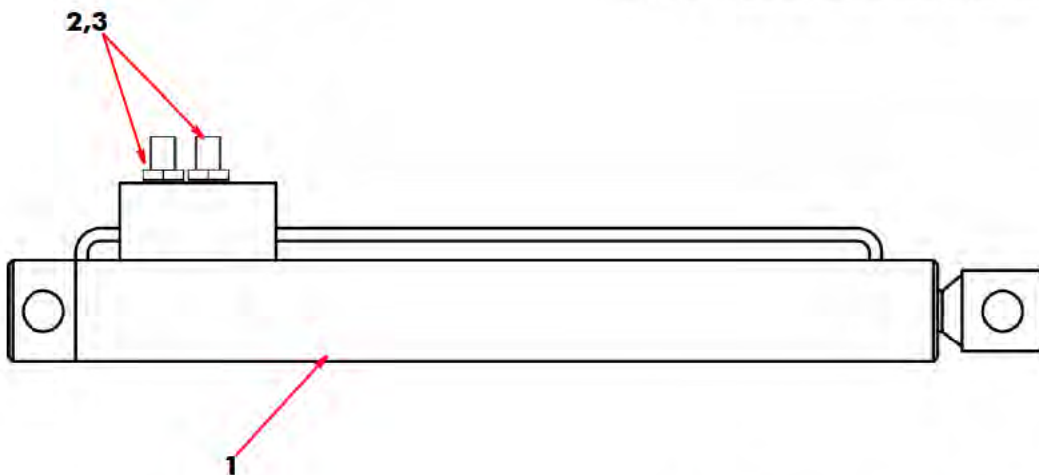
When ordering replacement parts, always give the machine's Serial Number and specify Part Number, Quantity & Description



TWO STAGE HOPPER-LIFT RAM ASSEMBLY



HYDRAULIC BRUSH RAM ASSEMBLY



REAR DOOR OPEN/CLOSE RAM

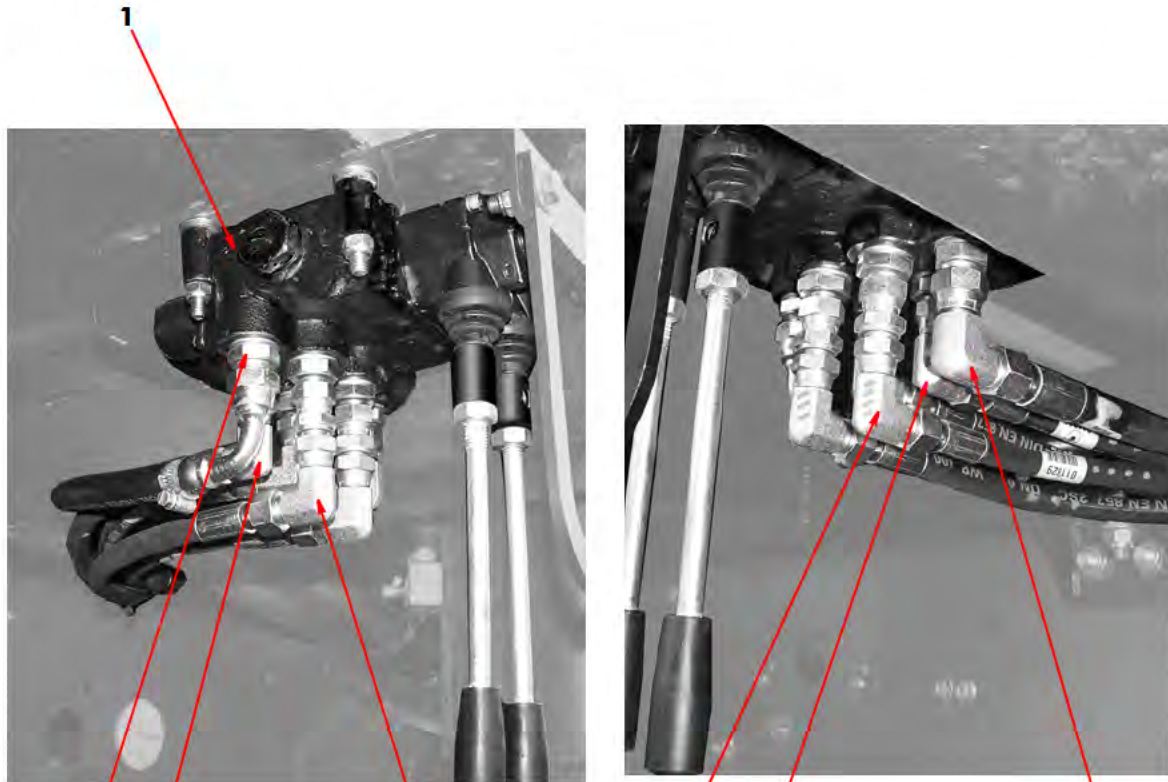
F

When ordering replacement parts, always give the machine's Serial Number and specify Part Number, Quantity & Description



<i>Item</i>	<i>Part Number</i>	<i>Quantity</i>	<i>Description</i>
HOPPER & REAR DOOR, HYDRAULIC OPERATING LEVERS			
1	034179	2	Lever
	011016	3	. Setscrew, hex hd, M8 x 50 mm long
	011073	12	. Washer, M8
	011073	3	. Nut, Nyloc, M8
2	011153	1	. Seal, Dowty, $\frac{3}{8}$ " BSP
3	011199	1	. Adaptor, $\frac{3}{8}$ " x $\frac{1}{4}$ " BSP, M/M
4	002048	1	. Elbow, $\frac{1}{4}$ " BSP x $\frac{3}{8}$ " hose
5	010958	As Req	. Hose, rubber, $\frac{3}{8}$ " bore
6	010517	1	. Jubilee clip M00
7	011153	1	. Seal, Dowty, $\frac{3}{8}$ " BSP
8	011199	1	. Adaptor, $\frac{3}{8}$ " x $\frac{1}{4}$ " BSP, M/M
9	011171	1	. Elbow, $\frac{1}{4}$ " BSP M/F
10	001002	1	. Hose, rubber, $\frac{1}{4}$ " BSP x 3700 mm long (REAR DOOR, PORT B)
11	011153	1	. Seal, Dowty, $\frac{3}{8}$ " BSP
12	011199	1	. Adaptor, $\frac{3}{8}$ " x $\frac{1}{4}$ " BSP, M/M
13	002012	1	. Adaptor, $\frac{1}{4}$ " BSP, M/F
14	011171	1	. Elbow, $\frac{1}{4}$ " BSP M/F
15	001002	1	. Hose, rubber, $\frac{3}{8}$ " BSP x 3700 mm long (REAR DOOR, PORT A)
16	011153	1	. Seal, Dowty, $\frac{3}{8}$ " BSP
17	011199	1	. Adaptor, $\frac{3}{8}$ " x $\frac{1}{4}$ " BSP, M/M
18	002012	1	. Adaptor, $\frac{1}{4}$ " BSP, M/F
19	002148	1	. Elbow, $\frac{1}{4}$ " BSP M/F
20	011329	1	. Hose, rubber, $\frac{3}{8}$ " BSP x 1200 mm long (HOPPER, PORT A)
21	011153	1	. Seal, Dowty, $\frac{3}{8}$ " BSP
22	011199	1	. Adaptor, $\frac{3}{8}$ " x $\frac{1}{4}$ " BSP, M/M
23	011171	1	. Elbow, $\frac{1}{4}$ " BSP M/F
24	011329	1	. Hose, rubber, $\frac{1}{4}$ " BSP x 1200 mm long (HOPPER, PORT B)
25	011153	1	. Seal, Dowty, $\frac{3}{8}$ " BSP
26	011159	1	. Adaptor, $\frac{3}{8}$ " BSP, M/M
27	002148	1	. Elbow, $\frac{3}{8}$ " BSP, M/F
28	001098	1	. Hose, rubber, $\frac{3}{8}$ " BSP x 820 mm long

When ordering replacement parts, always give the machine's Serial Number and specify Part Number, Quantity & Description



2,3,4,5,6

7,8,9,10

11,12,13,14,15

16,17,18,19,20

21,22,23,24

25,26,27,28

F



HOPPER & REAR DOOR, HYDRAULIC OPERATING LEVEL

When ordering replacement parts, always give the machine's Serial Number and specify Part Number, Quantity & Description



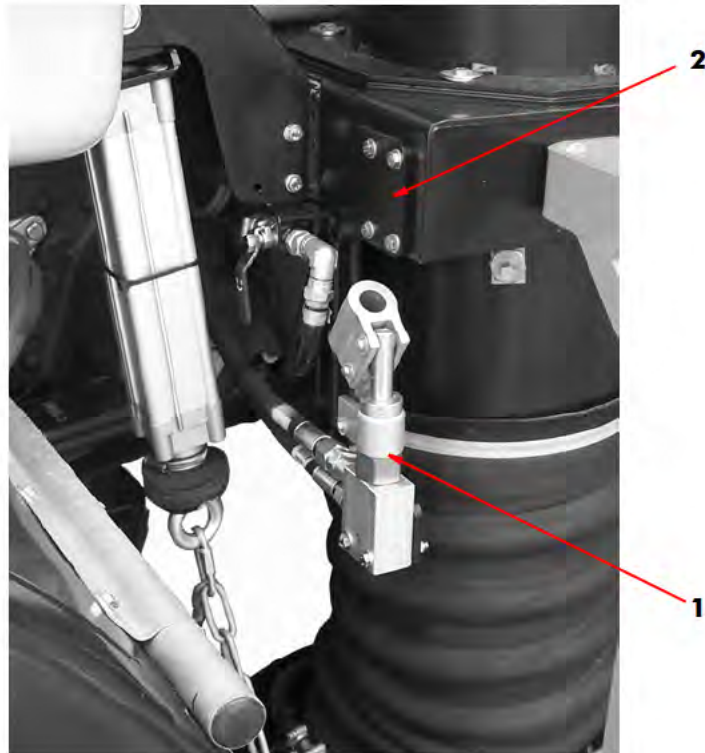
<i>Item</i>	<i>Part Number</i>	<i>Quantity</i>	<i>Description</i>
AUXILIARY HAND PUMP			
1	028307	1	. Hand Pump
NI	030103	1	. . Handle
2	033718	1	. . Slave plate
NI	011152	3	. Seal, Dowty, 1/4"
NI	002014	1	. Adaptor, 1/4" BSP, M/F
NI	011199	1	. Adaptor, 1/4" x 3/8" BSP, M/F
NI	011158	1	. Adaptor, 1/4" BSP, M/M



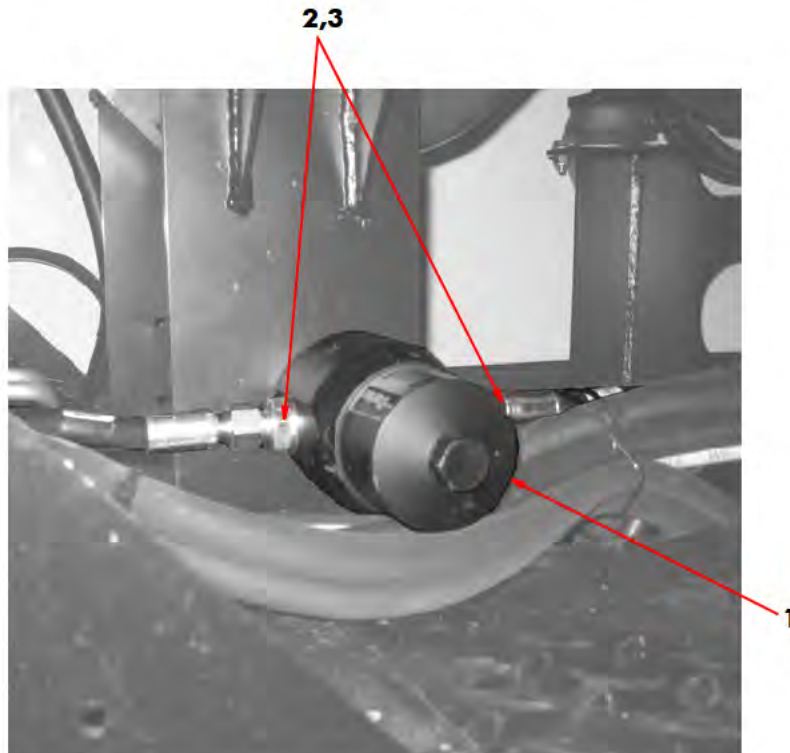
<i>Item</i>	<i>Part Number</i>	<i>Quantity</i>	<i>Description</i>
FILTER HIGH-PRESSURE			
1	025103	1	Filter
NI	025104	1	. Filter Element
2	011167	2	. Adaptor, 1/2" x 3/8" BSP
3	011154	2	. Seal, Dowty, 3/8"



When ordering replacement parts, always give the machine's Serial Number and specify Part Number, Quantity & Description



AUXILIARY HAND-PUMP



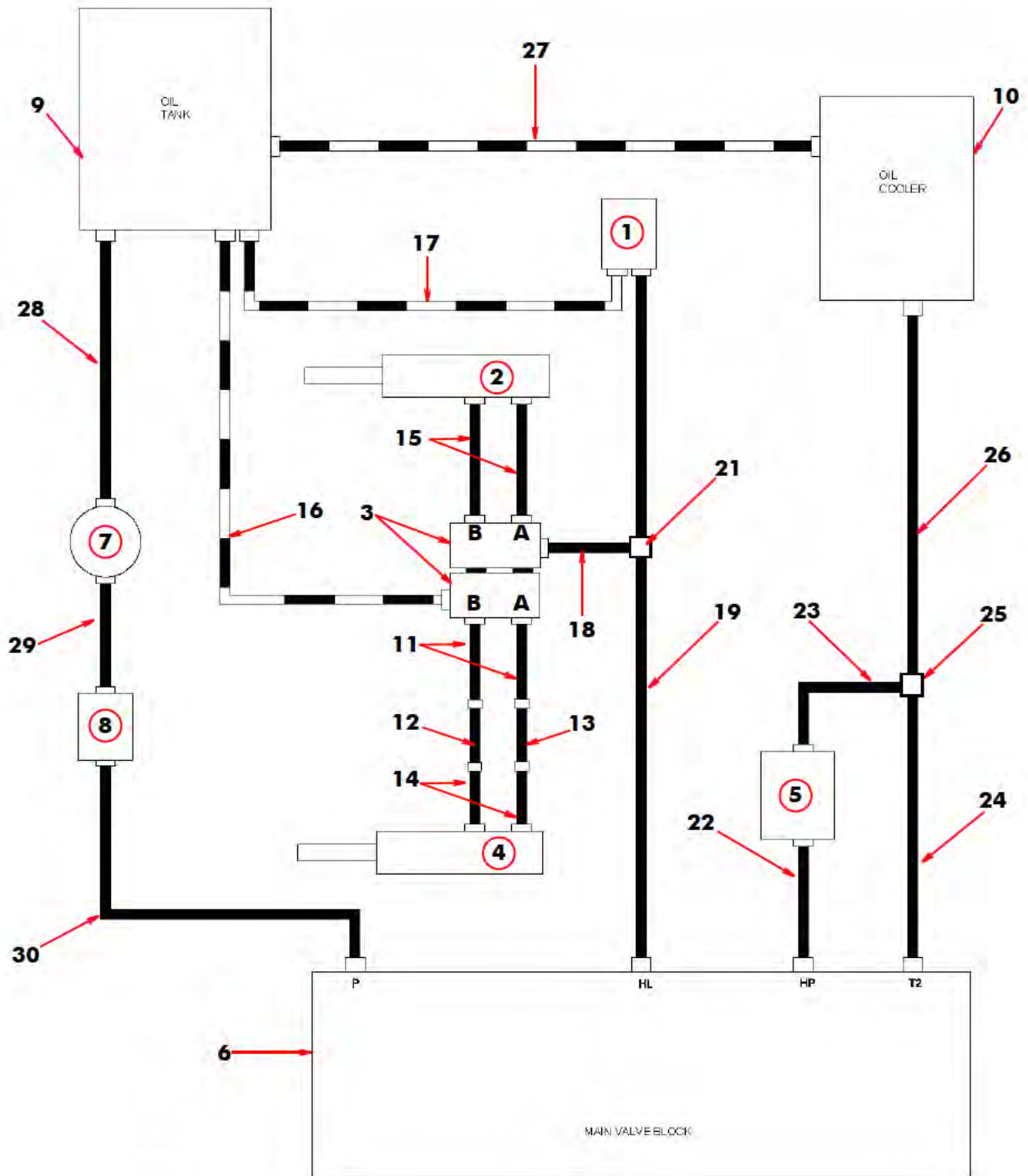
HIGH-PRESSURE FILTER

When ordering replacement parts, always give the machine's Serial Number and specify Part Number, Quantity & Description



<i>Item</i>	<i>Part Number</i>	<i>Quantity</i>	<i>Description</i>
HOPPER, REAR DOOR & HP PUMP, HYDRAULIC CIRCUIT			
1	028307	1	HAND PUMP Page F17
2	024249	1	HOPPER HYDRAULIC RAM. Page F12
3	034179	2	HOPPER/REAR DOOR CONTROL VALVE Page F15
4	028873	1	REAR DOOR HYDRAULIC RAM Page F12
5	028486	1	HIGH PRESSURE WATER PUMP. Page E21
6	034177	1	MAIN VALVE BLOCK Page F5
7	025103	1	FILTER. Page F17
8	034268	1	HYDRAULIC GEAR PUMP, 19.2 cc Page F9
9	034415	1	HYDRAULIC TANK. Page F3
10	033711	1	OIL/WATER COOLER Page F1
11	001002		. Hose, rubber, 1/4" BSP x 3700 mm long
12	034894		. Pipe, Steel, 12 mm
13	034893		. Pipe, Steel, 12 mm
14	011328	2	. Hose, rubber, 1/4" BSP x 1780 mm long
15	010980	2	. Hose, rubber, 1/4" BSP x 432 mm long
16	010958	As Req	. Hose, rubber, 5/8" Bore
17	010985	1	. Hose, rubber, 1/4" BSP x 2150 mm long
18	001023	1	. Hose, rubber, 3/8" BSP x 710 mm long
19	001171	1	. Hose, rubber, 3/8" BSP x 250 mm long
20	011343	1	. Hose, rubber, 3/8" BSP x 4000 mm long
21	011181	1	. Tee, 1/2", M/M/M
22	011343	1	. Hose, rubber, 3/8" BSP x 4000 mm long
23	001058	1	. Hose, rubber, 1/2" BSP x 3500 mm long
24	001239	1	. Hose, rubber, 1/2" BSP x 150 mm long
25	011181	1	. Tee, 1/2" BSP, M/M/M
26	010995	1	. Hose, rubber, 1/2" BSP x 1065 mm long
27	011000	As Req	. Hose, rubber, 5/8" Bore
28	014827	As Req	. Hose, rubber, 1" Bore (Red Line)
29	011307	1	. Hose, rubber, 3/8" BSP x 1300 mm long
30	011310	1	. Hose, rubber, 3/8" BSP x 300 mm long

When ordering replacement parts, always give the machine's Serial Number and specify Part Number, Quantity & Description



F

LEGEND	
	Suction/High Pressure
	Case Drain
	Return Pressure
	Pilot Pressure

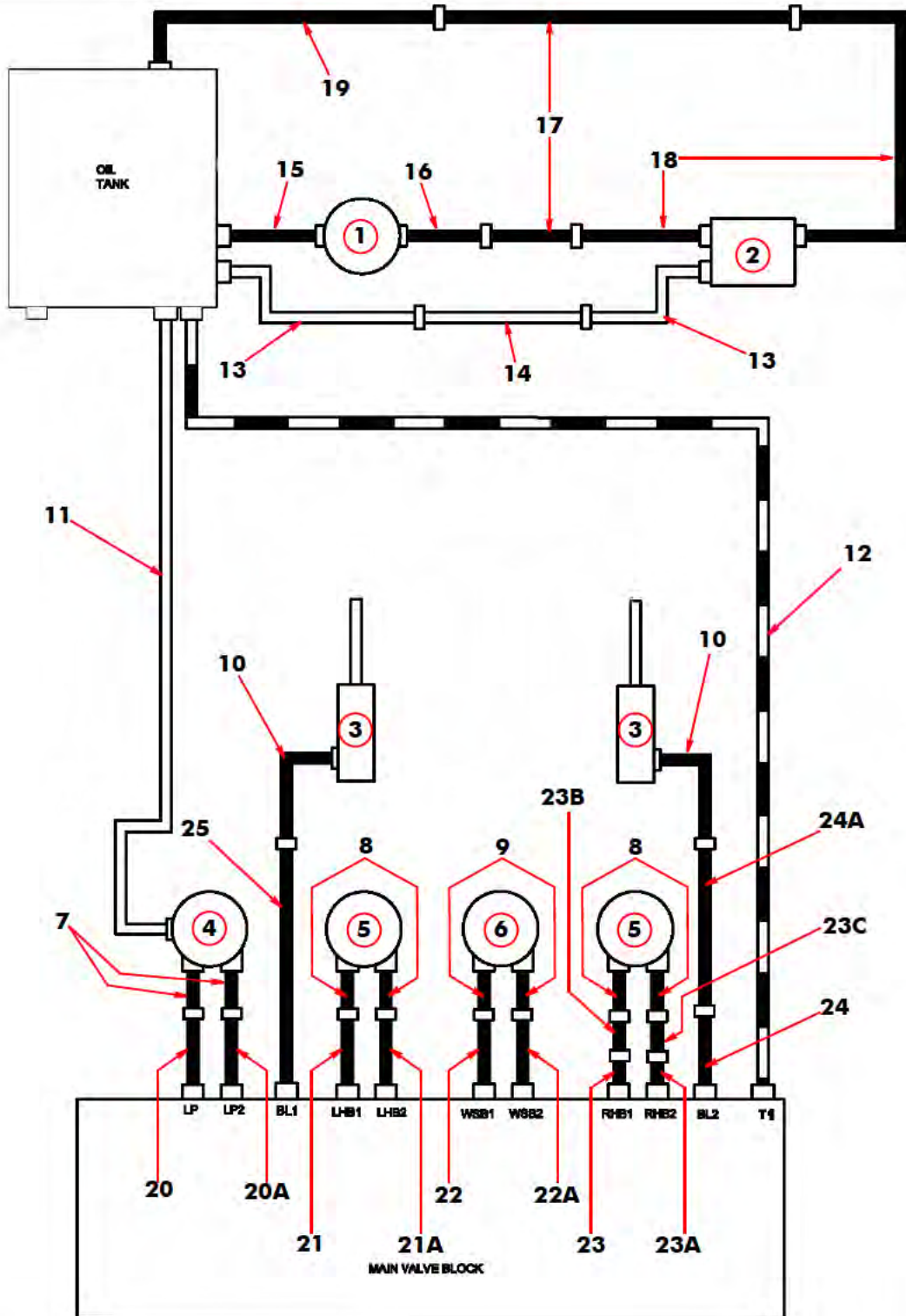
HOPPER, REAR DOOR & HP PUMP, HYDRAULIC CIRCUIT

When ordering replacement parts, always give the machine's Serial Number and specify Part Number, Quantity & Description



<i>Item</i>	<i>Part Number</i>	<i>Quantity</i>	<i>Description</i>
BRUSHES, L-P WATER & SUCTION FAN HYDRAULIC CIRCUIT			
1	023620	1	PUMP HYDRAULIC, SUCTION FAN. Page F9
2	024641	1	HYDRAULIC MOTOR, SUCTION FAN Page F9
3	024539	2	HYDRAULIC RAM, BRUSH LIST Page F12
4	024385	1	LP WATER PUMP Page E1
5	010749	2	MOTOR HYDRAULIC, LH/RH SIDE-BRUSH Page F11
6	010566	1	MOTOR HYDRAULIC, WIDE-SWEEP BRUSH Page F11
7	001042	2	. Hose, Rubber, $\frac{3}{8}$ " BSP x 680 Long
8	001167	2	. Hose, Rubber, $\frac{3}{8}$ " BSP x 1200 Long
9	001022	2	. Hose, Rubber, $\frac{3}{8}$ " BSP x 770 Long (ST 90°)
10	001160	2	. Hose, Rubber, $\frac{1}{4}$ " BSP x 950 Long (ST 90°)
11	010958	As Req	. Hose, Rubber, $\frac{3}{8}$ " Bore
12	011000	As Req	. Hose, Rubber, $\frac{5}{8}$ " Bore
13	010958	As Req	. Hose, Rubber, $\frac{3}{8}$ " Bore (Fan Drain)
14	034893		. Pipe, Steel, 12mm (Fan Drain)
15	014827	AS Req	. Hose, Rubber, 1" Bore (Red Line)
16	001244	1	. Hose, Rubber, $\frac{3}{4}$ " BSP x 4800 Long
17	034899	1	. Pipe, Steel, 18mm (Fan Feed/Return)
18	001245	2	. Hose Rubber, $\frac{3}{4}$ " BSP x 1500 Long
19	001038	1	. Hose, Rubber, $\frac{3}{4}$ " BSP x 3600 Long
20	034881	1	. Pipe, Steel, 12mm (LP Pump Feed)
20A	034880	1	. Pipe, Steel, 12mm (LP Pump Return)
21	034886	1	. Pipe, Steel, 12mm (LH Side Brush Feed)
21A	034887	1	. Pipe, Steel, 12mm (LH Side Brush Return)
22	034889	1	. Pipe, Steel, 12mm (Wide Sweep Feed)
22A	034888	1	. Pipe, Steel, 12mm (Wide Sweep Return)
23	034882	1	. Pipe, Steel, 12mm RH Side Brush Feed First Stage)
23A	034884	1	. Pipe, Steel, 12mm (RH Side Brush Return First Stage)
23B	034883	1	. Pipe, Steel, 12mm (RH Side Brush Feed Second Stage)
23C	034885	1	. Pipe, Steel, 12mm (RH Side Brush Return Second Stage)
24	034891	1	. Pipe, Steel, 6mm (RH Side Brush Lift First Stage)
24A	034892	1	. Pipe, Steel, 6mm (RH Side Brush Lift Second Stage)
25	034890	1	. Pipe, Steel, 6mm (LH Side Brush Lift)

When ordering replacement parts, always give the machine's Serial Number and specify Part Number, Quantity & Description



F

LEGEND	
	Suction/High Pressure
	Case Drain
	Return Pressure
	Pilot Pressure

BRUSHES, L-P WATER & SUCTION FAN HYDRAULIC CIRCUIT

When ordering replacement parts, always give the machine's Serial Number and specify Part Number, Quantity & Description



<i>Item</i>	<i>Part Number</i>	<i>Quantity</i>	<i>Description</i>
CLAMPS FOR STEEL PIPING			
NI	027980	As Req	Clamp block, single, 6 mm
NI	027981	As Req	Clamp block, single, 12 mm
NI	027982	As Req	Clamp block, single, 25 mm
NI	027983	As Req	Clamp block, double, 6 mm x 6 mm
NI	027984	As Req	Clamp block, double, 12 mm x 12 mm
NI	027985	As Req	Clamp block, double, 6 mm x 12 mm
NI	027986	As Req	Clamp block, double, 12 mm x 14 mm
NI	027987	As Req	Clamp block, double, 17.2 mm x 17.2 mm
NI	027988	As Req	Clamp block, double, 18 mm x 18 mm
NI	027989	As Req	Top plate 2-hole, small
NI	027990	As Req	Top plate 2-hole, large
NI	027991	As Req	Bottom plate 2-hole, small
NI	027992	As Req	Bottom plate 2-hole, large
NI	027993	As Req	Bottom plate 1-hole, small
NI	027994	As Req	Bottom plate 1-hole, medium
NI	027995	As Req	Bottom plate 2-hole, large
NI	027996	As Req	Top plate 1-hole, small
NI	027997	As Req	Top plate 1-hole, medium
NI	027998	As Req	Top plate 1-hole, large

When ordering replacement parts, always give the machine's Serial Number and specify Part Number, Quantity & Description

SECTION G
PNEUMATIC EQUIPMENT

Table of Contents

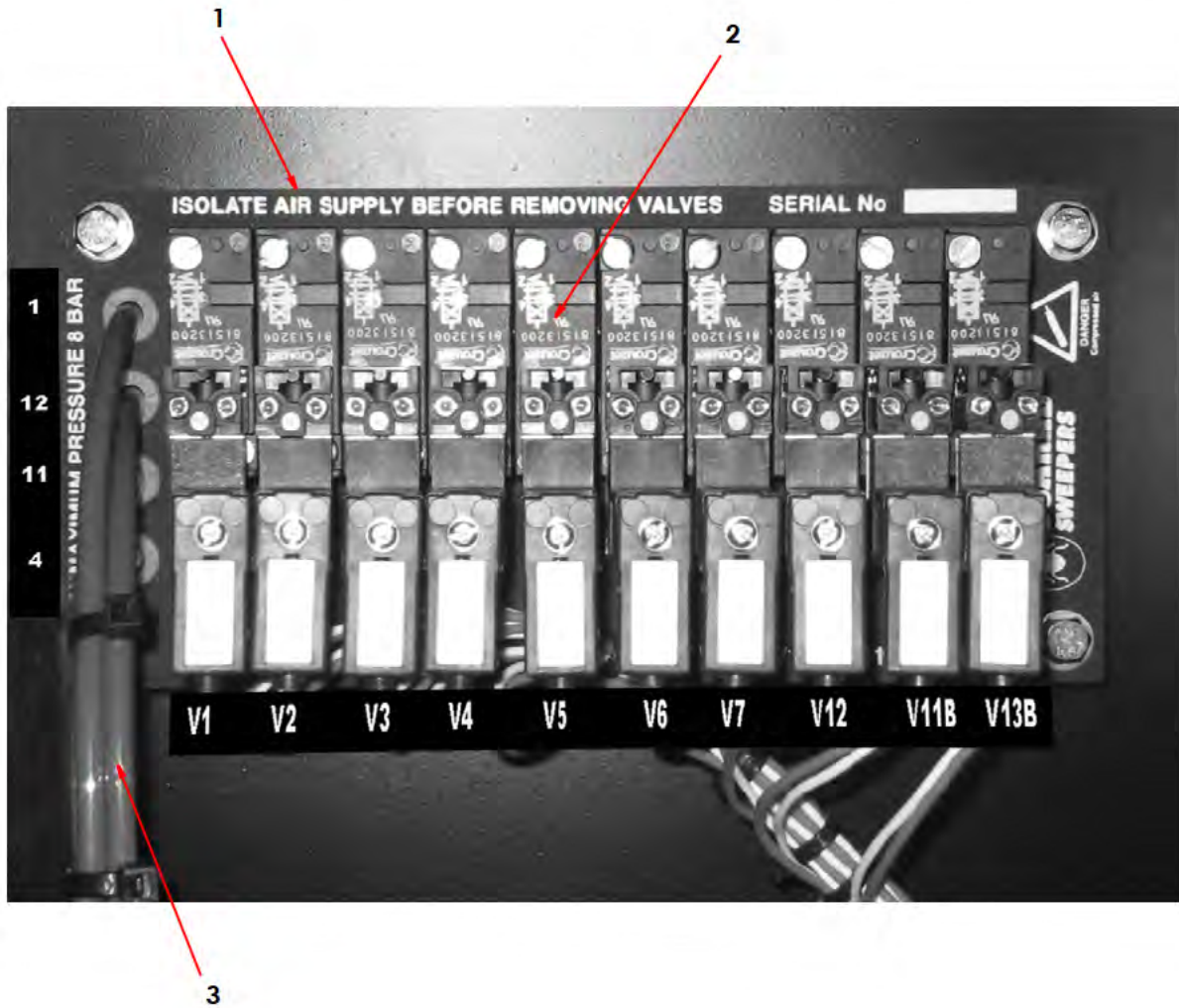
Assembly/Description

PNEUMATIC ARRANGEMENT
Pneumatic Control Valves1
CIRCUIT DIAGRAMS
Port Identification & Valve Reference Table3
Circuit Arrangement5
PNEUMATIC FILTER/REGULATORS & BRUSH PRESSURE ADJUSTMENT
Pneumatic Filter/Lubricator7
Pressure Regulator Side brush & Wide-sweep brush7
PNEUMATIC RAMS
Suction Nozzle Tilt9
Widesweep Raise/Lower9
Suction Nozzle Raise/Lower9
Side Brush In/Out11
Auto Blanking11
Side Brush Pressure11



<i>Item</i>	<i>Part Number</i>	<i>Quantity</i>	<i>Description</i>
PNEUMATIC CONTROL VALVES			
1	034178	1	Pneumatic Valve Block
2	035673	As Req	.Valve + Solenoid (Standard)
3	024650	As Req	. Airline. (Green)
NI	006054	1	Pneumatic Pipe Removal Tool
NI	006055	1	Pneumatic Fitting Removal Tool

When ordering replacement parts, always give the machine's Serial Number and specify Part Number, Quantity & Description



PNEUMATIC CONTROL VALVES

When ordering replacement parts, always give the machine's Serial Number and specify Part Number, Quantity & Description



Table 1: PORT IDENTIFICATION & VALVE REFERENCE CHART

TUBE BULKHEAD	VALVE REF	VALVE PORT REF	PIN REF	PIN STATUS	SCARAB DESCRIPTION	DEVICE POSITION	CYLINDER POSITION
1	V12	4	L	24 V dc	Wide sweep drop & supply to reg. P3	DROP	EXTEND
2	V12	2	L	0 V	Wide sweep lift (If supply from P1)	LIFT	RETRACT
2	V13-A V13-B	2	N M	0 V 24 V dc	Wide sweep lift (If supply from P3)	LIFT	RETRACT
3	V13-A V13-B	4	N M	24 V dc 0 V	Wide sweep pressure down	PRESSURE DOWN	EXTEND
4	V13	1	N/A	N/A	Wide sweep feedback from reg. P3	N/A	N/A
5	V11B	4	K	24 V dc	Right-hand Side brush down pressure	DOWN	EXTEND
11	V11	1	N/A	N/A	Side brush pressure feedback from reg. P2	N/A	N/A
12	Mains Out				Mains pressure outlet to reg. P2	N/A	N/A
19	V1	2	A	0 V dc	Left-hand side brush in	IN	EXTEND
20	V1	4	A	24 V	Left-hand side brush Out (10 bar relief)	OUT	RETRACT
21	V11B	4	B	24 V dc	Left-hand side brush down pressure	LOWER	EXTEND
22	V2	2	B	0 V	Left-hand nozzle lift (FCV in cylinder)	LIFT	RETRACT
23	V3	4	C	24 V dc	Left-hand air flap open	OPEN	EXTEND
24	V3	2	C	0 V	Left-hand air flap close (FCV in cylinder)	CLOSE	RETRACT
25	V4	4	D	24 V dc	Right-hand air flap open	OPEN	EXTEND
26	V4	2	D	0 V	Right-hand air flap close (FCV in cylinder)	CLOSE	RETRACT
28	V5	2	E	0 V	Right-hand nozzle lift (FCV in cylinder)	LIFT	EXTRACT
29	V6	2	F	0 V dc	Right-hand side brush in	IN	EXTEND
30	V6	4	F	24 V	Right-hand side brush Out (10 bar relief)	OUT	RETRACT
31	V7	4	G	24 V dc	Left-hand gobbler up	UP	EXTEND
32	V7	2	G	0 V	Left-hand gobbler down	DOWN	RETRACT
35	Mains in				Air feed from FR/L, P1		
36	Breather				Exhaust air from cabinet		
When ordering replacement parts, always give the machine's Serial Number and specify Part Number, Quantity & Description							

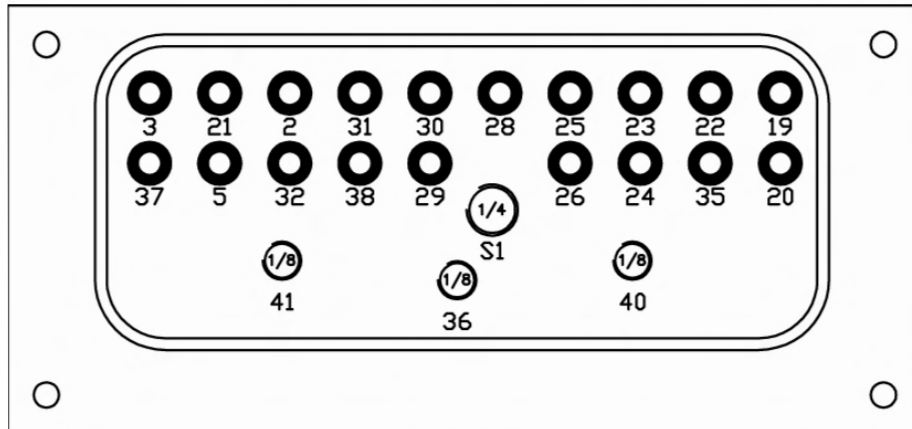


Table 1: PORT IDENTIFICATION & VALVE REFERENCE CHART

TUBE BULKHEAD	VALVE REF	VALVE PORT REF	PIN REF	PIN STATUS	SCARAB DESCRIPTION	DEVICE POSITION	CYLINDER POSITION
37	V7	4	G	24 V dc	Right-hand gobble up	UP	EXTEND
38	V7	2	G	0 V	Right-hand gobble down	DOWN	RETRACT
S1	Exhaust Port			Exhaust air from common manifolds			
40	V1	4	A	24 V dc	To 10 bar relief valve for left-hand side brush out.		
41	V6	4	F	24 V dc	To 10 bar relief valve for right-hand side brush out.		

NOTE:

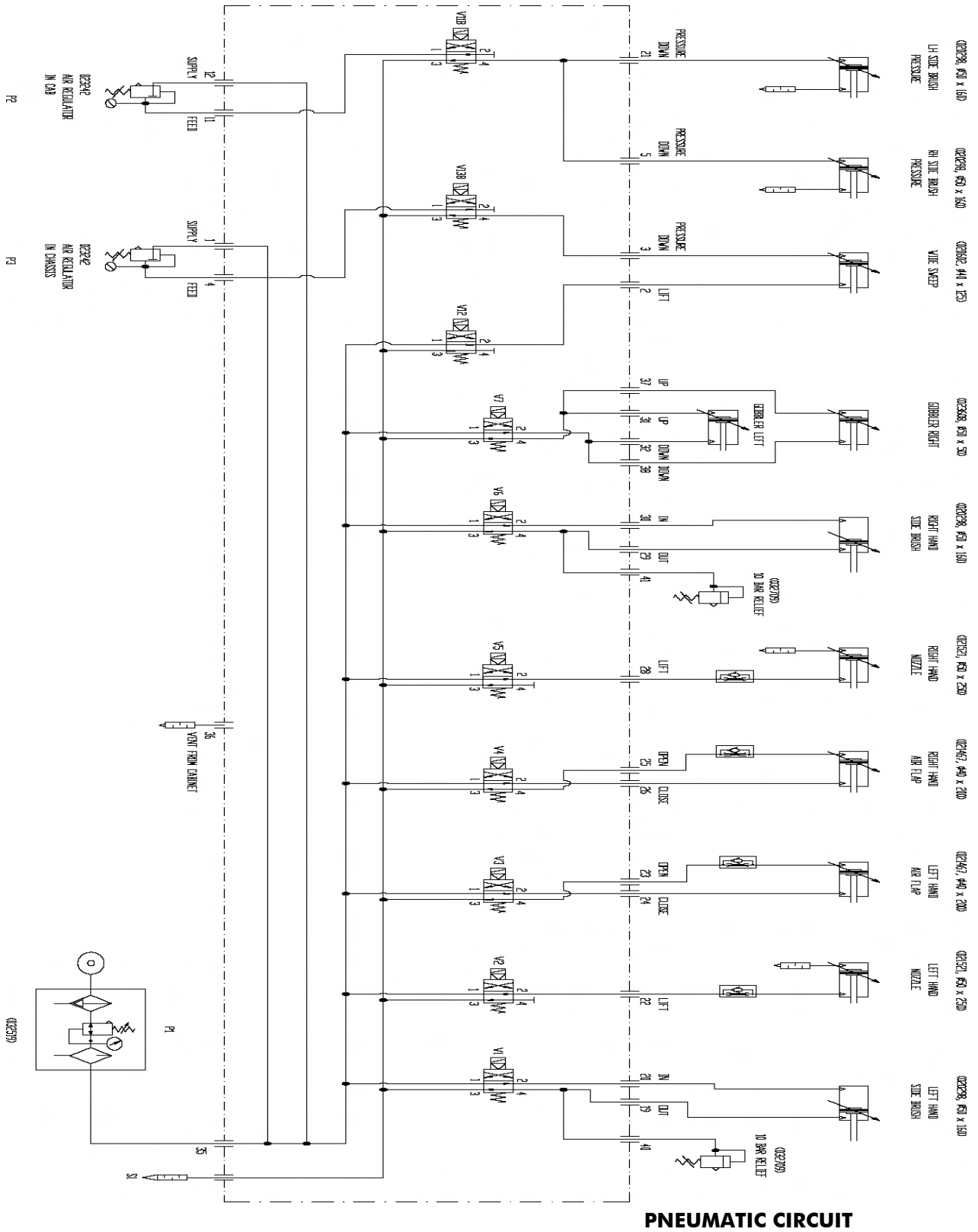
- 1. ALL TUBING IS Ø6mm UNLESS OTHERWISE NOTED.**



VIEW ON REAR

When ordering replacement parts, always give the machine's Serial Number and specify Part Number, Quantity & Description





When ordering replacement parts, always give the machine's Serial Number and specify Part Number, Quantity & Description



THIS PAGE LEFT INTENTIONALLY BLANK



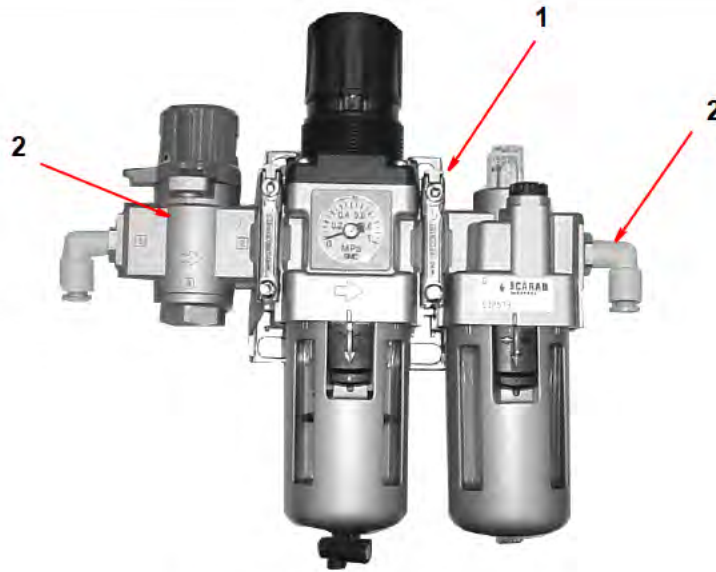
When ordering replacement parts, always give the machine's Serial Number and specify Part Number, Quantity & Description



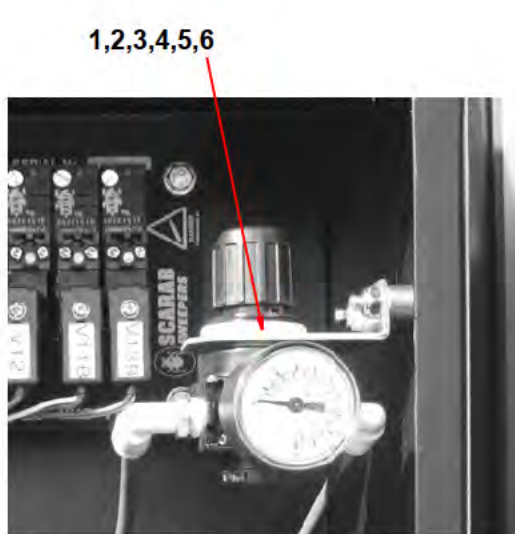
<i>Item</i>	<i>Part Number</i>	<i>Quantity</i>	<i>Description</i>
PNEUMATIC FILTER/LUBRICATOR			
1	032519	1	Pneumatic Filter/Regulator/Lubricator
2	023203	1	. Push-in Elbow 6 mm x 1/4" BSP
NI	005046	AsReq	Lubrication fluid - 50 ml bottle

<i>Item</i>	<i>Part Number</i>	<i>Quantity</i>	<i>Description</i>
BRUSH-PRESSURE REGULATOR VALVE - SIDEBRUSH/WIDESWEEP			
1	023242	1	Valve, pressure regulator - Side brush
2	023246	1	. Gauge 0 - 10 bar, 1/4" BSP
1	023242	1	Valve, pressure regulator - Wide-sweep brush
2	023246	1	. Gauge 0 - 10 bar, 1/4" BSP
3	023245	1	. Bracket
4	006007	4	. Elbow, push-in, 6mm to 1/8" BSP
5	020735	1	. Connector, straight, 1/8" BSP
6	013344	2	. Spacer

When ordering replacement parts, always give the machine's Serial Number and specify Part Number, Quantity & Description



FILTER/LUBRICATOR UNIT



WIDESWEEP PRESSURE REGULATOR VALVE



SIDEBRUSH PRESSURE REGULATOR VALVE



When ordering replacement parts, always give the machine's Serial Number and specify Part Number, Quantity & Description

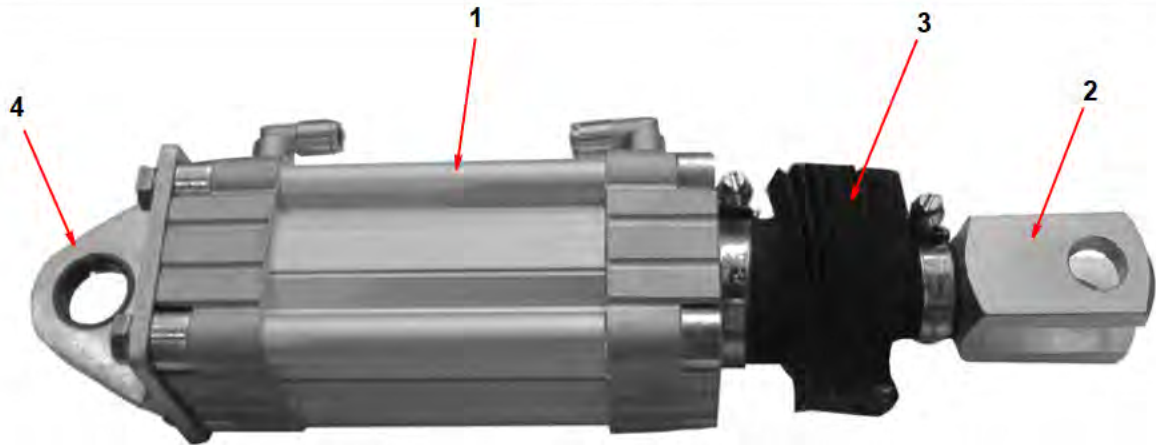


<i>Item</i>	<i>Part No</i>	<i>Quantity</i>	<i>Description</i>
	032119		CYLINDER ASSEMBLY, SUCTION-NOZZLE - TILT
1	023608	1	Pneumatic Cylinder, 40 x 160
2	020299	1	. Clevis
NI	022674	1	. . Clevis Retaining Pin
NI	022674	1	. . Clevis Retaining Pin Clip
3	023111	1	. Bellows
4	023827	1	. Pivot Brkt
	011010	4	. . . Bolt, Hex Hd, M8 x 20 mm Long
	011093	4	. . . Spring Washer 8 mm

<i>Item</i>	<i>Part No</i>	<i>Quantity</i>	<i>Description</i>
	024540		CYLINDER ASSEMBLY, WIDESWEEP - RAISE/LOWER
1	020602	1	Pneumatic Cylinder, 40 x 125
2	014469	1	. Clevis
3	025270	1	. . Clevis Retaining Pin
4	023269	1	. . Clevis Retaining Pin Clip
5	023110	1	. Bellows
6	030532	1	. Pivot Brkt
	011067	4	. . . Bolt, Hex Hd, M6 x 20 mm Long
	011091	4	. . . Spring Washer, 6 mm

<i>Item</i>	<i>Part Number</i>	<i>Quantity</i>	<i>Description</i>
			CYLINDER ASSEMBLY, SUCTION NOZZLE - RAISE/LOWER
1	030772	2	Pneumatic Cylinder 50 x 200
NI		1	. Seal Kit, Pneumatic Cylinder
2	023111	1	. Bellows 50 mm dia
3	032293	1	. . Ring Nut
4	021158	1	. Regulator, Flow
5	030772	1	. Pivot Brkt
6	000003	4	. . Screw, Csk Skt, M8 x 20 mm Long
7	030776	1	. Pivot Block
	011057	1	. . Bolt, Hex Hd, M12 x 100 mm Long
	011096	2	. . Washer, M12
	011077	2	. . Nut, M12

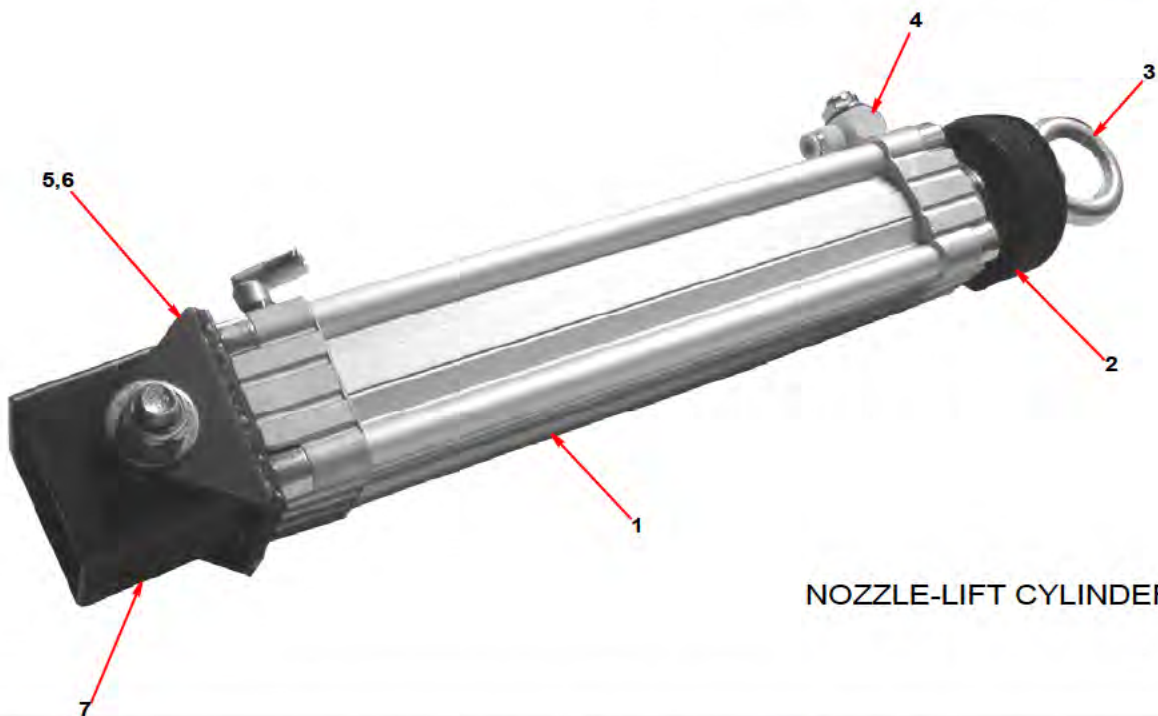
When ordering replacement parts, always give the machine's Serial Number and specify Part Number, Quantity & Description



SUCTION-NOZZLE TILT CYLINDER



WIDESWEEP RAISE/LOWER CYLINDER



NOZZLE-LIFT CYLINDER



When ordering replacement parts, always give the machine's Serial Number and specify Part Number, Quantity & Description

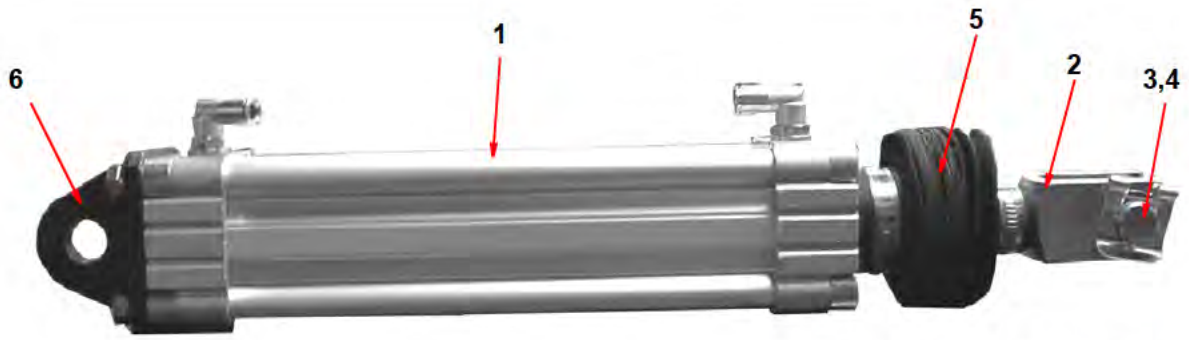


<i>Item</i>	<i>Part No</i>	<i>Quantity</i>	<i>Description</i>
CYLINDER ASSEMBLY, SIDE BRUSH - SWING IN/OUT			
1	020298	1	Pneumatic Cylinder, 50 x 160
2	020298	1	. Clevis
3	022673	1	. . Clevis Retaining Pin
4	022674	1	. . Retaining Pin Clip
5	023111	1	. Bellows
6	020534	1	. Pivot Brkt
	011010	4	. . . Bolt, Hex Hd, M8 x 20 mm Long
	011093	4	. . . Spring Washer, 8 mm

<i>Item</i>	<i>Part No</i>	<i>Quantity</i>	<i>Description</i>
CYLINDER ASSEMBLY, AUTO BLANKING			
	026319		
1	021467	1	Pneumatic Cylinder, 40 x 200
2	014469	1	. Clevis
3	023270	1	. . Clevis Retaining Pin
4	023269	1	. . Clevis Retaining Pin Clip
5	014457	1	. Pivot Brkt
	011087	4	. . Bolt, Hex Hd, M6 x 25 mm Long
	011090	12	. . Washer, 6 mm
	011091	4	. . Spring Washer, 6 mm
6	021158	1	. Flow Regulator

<i>Item</i>	<i>Part Number</i>	<i>Quantity</i>	<i>Description</i>
CYLINDER ASSEMBLY, SIDE BRUSH PRESSURE OPTION			
	022587		
1	020298	1	Pneumatic Cylinder 50 x 160
NI	024990	1	. Seal Kit, Pneumatic Cylinder (Norgren Ram)
2	020299	1	. Clevis
3	022673	1	. . Clevis Retaining Pin
4	022674	1	. . Clevis Retaining Pin Clip
5	020534	1	. Pivot Brkt
	011010	4	. . . Bolt, Hex Hd, M8 x 20 mm Long
	011093	4	. . . Washer, M8
6	023110	1	. Bellows 50 mm dia
7	023123	1	. Retaining Pin
	011135	2	. . . Washer, M16
	011122	2	. . . Split Pin, $\frac{3}{16}$ " x 1 $\frac{1}{2}$ " Long

When ordering replacement parts, always give the machine's Serial Number and specify Part Number, Quantity & Description



SIDE BRUSH IN/OUT CYLINDER



AUTO BLANKING CYLINDER



SIDE BRUSH UP/DOWN-PRESSURE CYLINDER

When ordering replacement parts, always give the machine's Serial Number and specify Part Number, Quantity & Description



THIS PAGE INTENTIONALLY LEFT BLANK

When ordering replacement parts, always give the machine's Serial Number and specify Part Number, Quantity & Description

SECTION H ELECTRICAL EQUIPMENT

Table of Contents

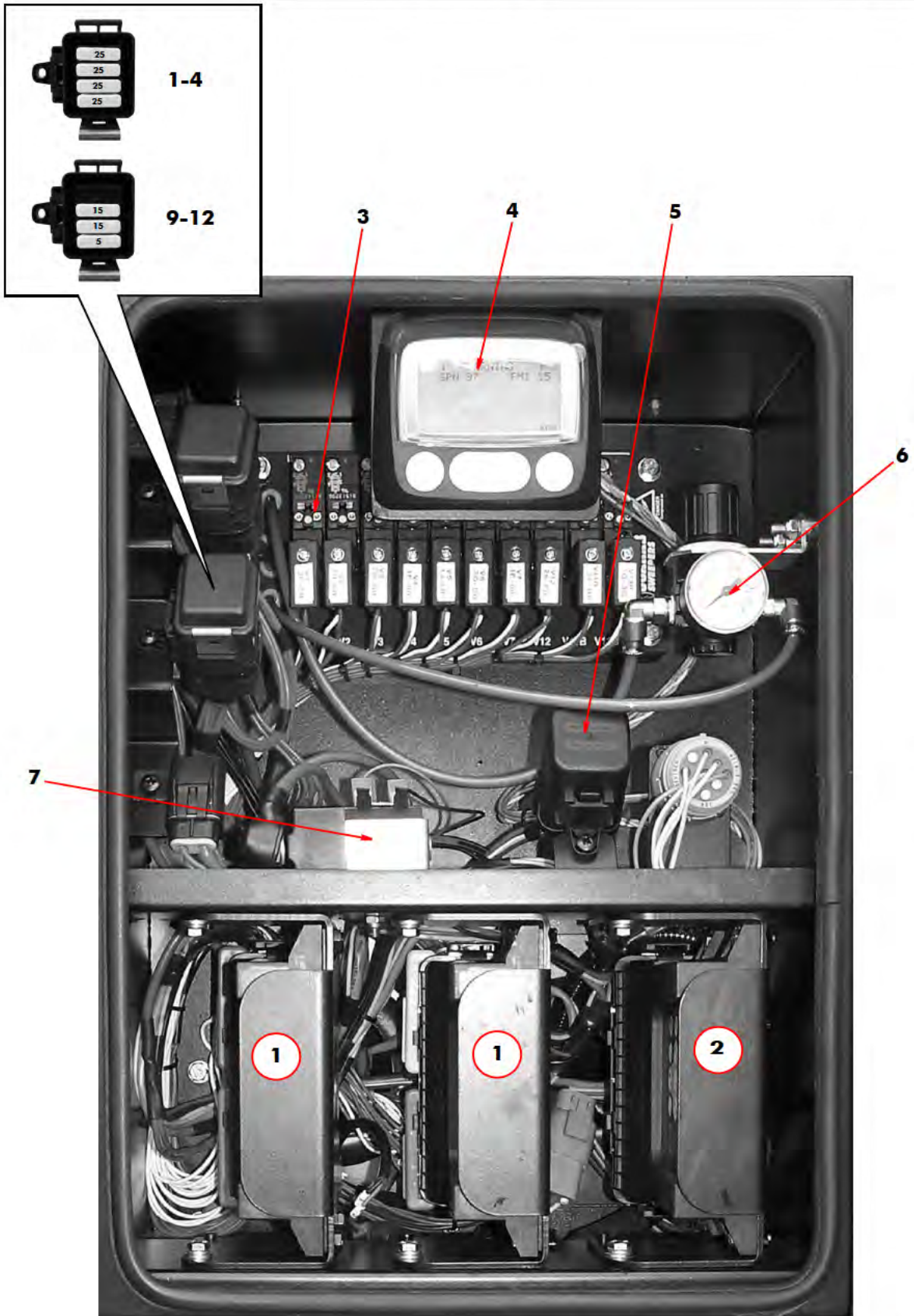
Assembly/Description	Page
ENCLOSURE ARRANGEMENTS	
Canbus Node Arrangement	1
ELECTRICAL COMPONENTS LIST	
List Of Looms	3
List of Electrical Switches	3
List of Electrical Fuses	3
List of Electrical Relays	3
List of Electrical Lamp	3
List of Electrical Beacons	4
List of Electrical Spare Bulbs & LEDs	4



<i>Item</i>	<i>Part Number</i>	<i>Quantity</i>	<i>Description</i>
	034418		NODE ENCLOSURE
1	032539	2	*Node
2	032428	1	*Node
3	034178	1	. Pneumatic Block
4	035234	1	. Murphy Interface, J1939
5	014718	1	. Relay, Starter
6		1	. Regulator, Widesweep Pressure (option)Page G7
7	034207	1	. Relay, Air Heat

**NOTE:* When fitting Nodes - You will require a Node to Panel Download.
Please Contact our Technical Department for further information.**

When ordering replacement parts, always give the machine's Serial Number and specify Part Number, Quantity & Description



NODE ENCLOSURE

When ordering replacement parts, always give the machine's Serial Number and specify Part Number, Quantity & Description



<i>Part Number</i>	<i>Quantity</i>	<i>Description</i>
WIRING LOOMS		
034543	1	Cab Loom
034144	1	Battery to CanBus Loom
034146	1	Hydraulic Loom first stage
034189	1	Hydraulic Loom Second Stage
034183	1	Water/Air Loom
034206	1	Hopper Loom
034375	1	Pneumatic Loom
034746	1	ECU Loom
032490	1	36 Button panel Loom

<i>Part Number</i>	<i>Quantity</i>	<i>Description</i>
LIST OF ELECTRICAL SWITCHES		
021804	1	Float Switch (Low level water switch)
024064	1	Hopper Raised Sensor

<i>Part Number</i>	<i>Description</i>
LIST OF ELECTRICAL FUSES	
014286	Fuse, Blade Type, 5 Amp
014287	Fuse, Blade Type, 7.5 Amp
014288	Fuse, Blade Type, 10 Amp
014289	Fuse, Blade Type, 15 Amp
014290	Fuse, Blade Type, 20 Amp
014291	Fuse, Blade Type, 25 Amp
014292	Fuse, Blade Type, 30 Amp
026001	Fuse, Midi, 50 Amp
026086	Fuse Holder, for Midi 50 Amp
031105	Fuse Holder

<i>Part Number</i>	<i>Description</i>
LIST OF ELECTRICAL RELAYS	
014718	Relay, Cross over, 24 V
020838	Relay, 24 V, 35 Amp N/O
021668	Relay, 24 V, 30 Amp Double Pole
023798	Timer relay, Brush Lift
033722	Glow Plug Relay

<i>Part Number</i>	<i>Description</i>
LIST OF ELECTRICAL LAMPS	
028591	Work lamp 'Hella Marine' 24 V x 70 Watt
004233	. Bulb
030663	Marker Lamp - LED Type 'Red' (Hopper Mounted)

When ordering replacement parts, always give the machine's Serial Number and specify Part Number, Quantity & Description

**Part Number****Description****LIST OF ELECTRICAL BEACONS**

014064	Beacon 24 V (Standard)
011497	. Bulb 24 V
024174	Beacon Bar 24 V (Premiere Hazard Type)
030563	. Motor
011497	. Bulb 24 V
027209	. Mounting Bracket (Premiere Hazard Beacon)
031035	58" Xenon Beacon Bar
022741	Beacon, Xenon - E Approved (Delta Turbo Star type)
023780	. Bulb kit
023884	. Mounting plate

Part Number**Description****LIST OF SPARE BULBS & LEDS**

011489	Bulb 24 V x 5 Watt
011490	Bulb 24 V x 21 Watt
011492	Bulb 24 V x 2.8 Watt (LLB865)
004153	Bulb 24 V x 5 Watt (Halogen 434)
004174	Bulb beacon 24 V x 70 Watt (Halogen)
004185	Bulb 24 V x 21 Watt (Work lamp)
023780	Bulb kit (022741 Xenon Beacon)
023656	Blue LED 24 V (Greaser LED)



When ordering replacement parts, always give the machine's Serial Number and specify Part Number, Quantity & Description



THIS PAGE INTENTIONALLY LEFT BLANK

When ordering replacement parts, always give the machine's Serial Number and specify Part Number, Quantity & Description

SECTION J
Labels and Decals

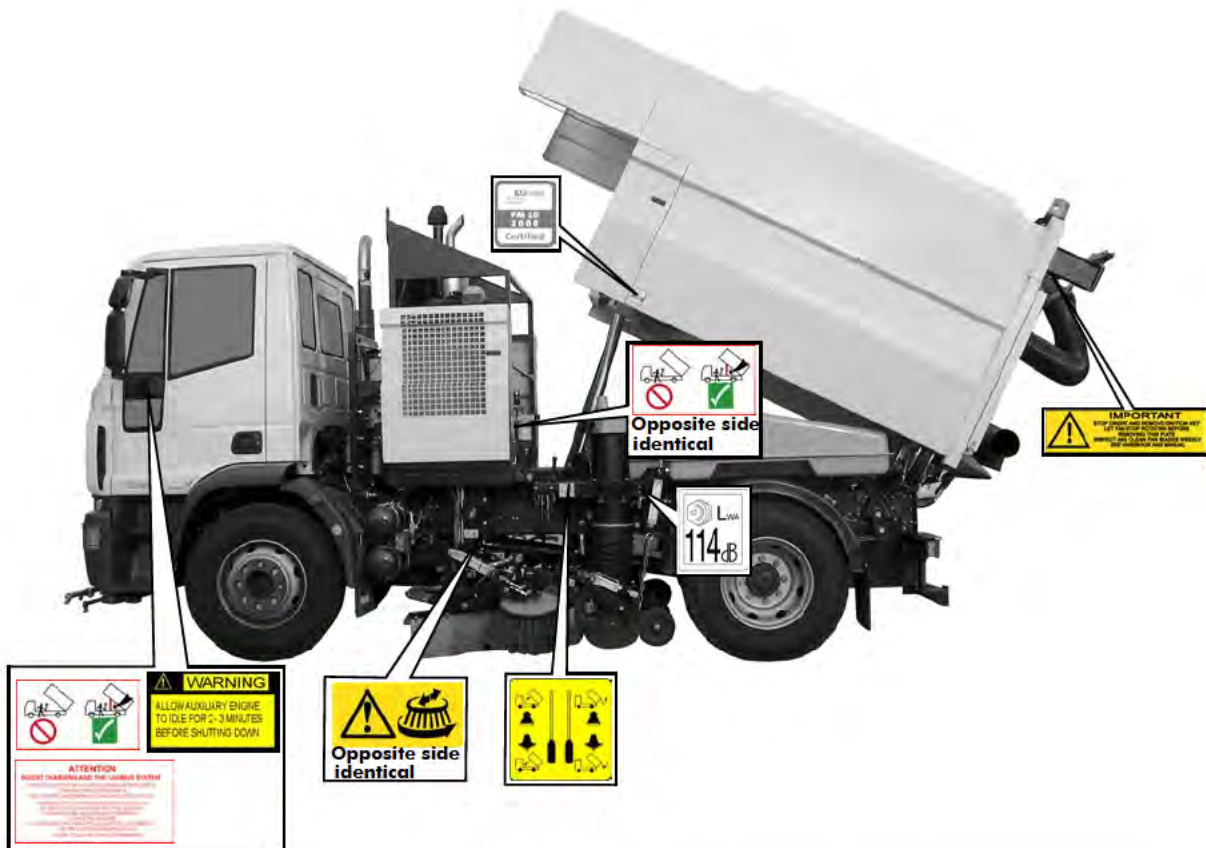
Table of Contents

Assembly/Description	Page
LABELS	
Diesel Fuel Oil	1
Warning, Hopper Prop Deployment.	1
Warning, Brush Rotating.	1
Hydraulic Oil	1
Hydraulic Oil Level	1
Warning, Fan Inspection	1
Sound Level.	1
PM10.	1
Warning, Boost Charging.	1
BADGES & VINYL DECALS	
Body Badge.	3



<i>Item</i>	<i>Part No</i>	<i>QUantity</i>	<i>Description</i>
LABELS			
1	021058	1	Diesel Fuel Oil
2	022384	3	Warning, Hopper Prop Deployment
3	022383	10	Warning, Brush Rotating
4	028408	1	Hydraulic Oil
5	035872	1	Hydraulic Oil Level
6	021061	1	Warning, Fan Inspection (Inside Inspection Cover)
7	027774	1	Sound Level
8	035766	1	Manual Valve Operation LH
8	035767	1	Manual Valve Operation RH
9	034814	1	PM10 (This Label Specifies Year Of Manufacture)
10	032409	1	Warning, Boost Charging
11	032935	1	Warning, Auxiliary Engine Shut - down

When ordering replacement parts, always give the machine's Serial Number and specify Part Number, Quantity & Description



J

When ordering replacement parts, always give the machine's Serial Number and specify Part Number, Quantity & Description



<i>Item</i>	<i>Part No</i>	<i>Quantity</i>	<i>Description</i>
			BADGES & VINYL DECALS
1		3	Scarab M6
2	030200	2	Body Badge

When ordering replacement parts, always give the machine's Serial Number and specify Part Number, Quantity & Description



Typical application shown but individual vehicles might differ depending upon livery requirements



J

SCARAB BADGES & VINYL DECALS

When ordering replacement parts, always give the machine's Serial Number and specify Part Number, Quantity & Description



THIS PAGE INTENTIONALLY LEFT BLANK

When ordering replacement parts, always give the machine's Serial Number and specify Part Number, Quantity & Description

**MULTILINGUAL GLOSSARY
of
DESCRIPTIONS & TERMINOLOGY
used in this
PARTS CATALOGUE**

Table of Contents

Title	Page
English / Français / Italiano	K1
English / Español / Svenska	K21



ENGLISH	FRANCAIS	ITALIANO
A		
Access	Accès	Accesso
Accessories	Accessoires	Accessori
Accelerator	Accélérateur	Acceleratore
Actuator	Servomoteur	Attuatore
Adaptor (adapt)	Adaptateur (adapter)	Adattatore
Adaptor Flange	Adaptateur à bride	Flangia adattatore
Adaptor Plate	Adaptateur, à plaque	Piastra adattatore
Adaptor Straight	Adaptateur, droit	Adattatore in linea
Adjuster	Régulateur	Dispositivo di regolazione
Adjuster Kit	Régulateur, kit	Corredo dispositivo di regolazione
Adjuster Valve	Vanne de régulation	Valvola dispositivo di regolazione
Adjustable	Ajustable	Regolabile
Aerial	Antenne	Antenna
Air	Air	Aria
Air Cleaner	Filtre à air	Filtro aria
Air Conditioner	Climatiseur	Condizionatore aria
Air Cylinder	Cylindre d'air	Cilindro aria
Air Filter	Filtre à air	Filtro aria
Air Manifold	Collecteur d'air	Collettore aria
Air Mass Meter	Compteur d'air-massique	Flussometro di massa
Air Feed	Injecteur d'air	Alimentazione aria
Air Chute	Goulotte pneumatique	Lobo aria-aria
Air Outlet	Sortie d'air	Bocca di uscita aria
Air Muffler	Amortisseur d'air	Silenziatore aria
Air Pressure Regulator	Régulateur de pression d'air	Regolatore pressione aria
Air Ram	Vérin pneumatique	Pistone aria
Air Valve	Soupape d'air	Valvola di sfiato
Air Vent Pipe	Tuyau de refoulement d'air	Tubo di sfiato
Alternator	Alternateur	Alternatore
Alternator Interface	Alternateur, interface	Interfaccia alternatore
Aluminium (Alum)	Aluminium (alum)	Alluminio (Allum.)
Anchor	Ancre, dispositif d'ancrage	Ancora
Angle	Angle	Angolo
Antiluce Fastener	Fixation « Antiluce »	Dispositivo di fissaggio Antiluce
Amendment (Amdt.)	Modification (modif.)	Rettifica (rett.)



Amplifier	Amplificateur	Amplificatore
Arrangement	Disposition	Disposizione
Ashtray	Cendrier	Posacenere
Assembly (Assy)	Ensemble	Gruppo
Auto Blanking	Fermeture automatique	Autochiusura
Automatic	Automatique	Automatico
Auxiliary	Auxiliaire	Ausiliario
Axle	Essieu	Asse
Axle Beam	Essieu, fusée d'	Asta asse
Axle Bolt	Essieu, boulon d'	Bullone asse
Axle Breather	Essieu, reniflard d'	Sfiatatoio asse
Axle Carrier & Tube	Essieu, porte-essieu et tube	Supporto e tubo asse
Axle Front	Essieu, avant	Frontale asse
Axle Rear	Essieu, arrière	Retro asse
Axle Washer	Essieu, rondelle d'	Rondella asse
B		
Back Plate	Socle	Piastra di supporto
Bag	Sac	Borsa
Ball	Bille	Sfera
Ball End	Rotule	Estremità arrotondata
Ball Joint	Joint sphérique	Giunto sferico
Ball Valve	Vanne à boisseau	Valvola a sfera
Bar	Barre	Barra
Basin	Cuvette	Bacino
Battery	Batterie	Batteria
Battery Housing	Batterie, logement de	Sede batteria
Battery Terminals	Batterie, bornes	Terminali batteria
Battery Lead	Batterie, câble	Cavo batteria
Battery Tray	Batterie, plateau	Vassoio portabatteria
Beacon	Gyrophare	Segnale luminoso
Beacon Bar	Barre de gyrophare	Barra segnale luminoso
Beam	Phare	Fascio
Bearing	Roulement, palier	Cuscinetto
Bell Housing	Logement évasé	Sede campanello
Bellows	Soufflet	Soffietto
Belt	Courroie	Cinghia
Black	Noir	Nero
Blanking	Obturation	Tappaggio
Beeper	Signal	Emettitore di segnali acustici





Blind Rivet	Rivet aveugle	Ribattino con spina inserita
Block	Bloc	Blocco
Blue	Bleu	Blu
Board	Carton	Piastra
Body	Corps	Corpo
Bolt	Boulon	Bullone
hex hd (hexagonal head)	Boulon à tête 6 pans	testa esagonale
skt hd (socket head)	Boulon à tête creuse	brugola
csk hd (counter-sunk head)	Boulon à tête fraisée	svasato
Boom	Flèche	Braccio
Boost	Suralimentier	Spinta
Bore	Alésage	Camera cilindrica
Boss	Moyeu, bossage	Mozzo
Bottom	Fond	Fondo
Bottle	Bouteille	Flacone
Box	Boîte	Scatola
Brace	Tirant	Braccio
Bracket (Brkt)	Support	Staffa
Brake	Frein	Freno
Brass Wing Nut	Ecrou à oreilles, en laiton	Galletto di ottone
Breather	Reniflard	Sfiatatoio
Broom	Balai	Scopa
Brown	Marron	Marrone
Brush	Brosse	Spazzola
Base	Base	Base
Buffer	Tampon	Respingente
Build	Construire, modèle	Costruzione
Bulb	Ampoule	Lampadina
Bulkhead	Cloison	Paratia
Bumper	Pare-chocs	Paraurti
Bump Stop	Butoir	Respingente
Bungee Cord	Corde « Bungee »	Cavo elastico
Bush	Manchon / Bague	Boccola
Buzzer	Vibreur	Cicalino
Button	Bouton	Pulsante
C		
Cab	Cabine	Cabina
Cable	Câble	Cavo
Caliper	Calibre	Pinza



Cam Shaft	Arbre à cames	Albero a camme
Camera	Caméra	Camera
Canopy	Auvent / Capot	Tettuccio
Cap	Capuchon	Cappuccio
Capping	Chapeau	Cornice
Carabiner	Carabine	Carabiner
Carrier	Porte, support	Portante
Case	Boîtier	Scatola
Casing	Boîtier	Involucro
Catalogue	Catalogue	Catalogo
Catch	Cliquet, disp. d'arrêt	Fermo
Caution	Notice « attention »	Attenzione
Centre	Centre	Centro
Chain	Chaîne	Catena
Chassis	Châssis	Chassis
Check	Contrôle	Controllo
Check Valve	Soupape d'arrêt / Clapet	Valvola di ritegno
Chute	Goulotte	Scivolo
Circlip	Circlip	Anello elastico
Circuit	Circuit	Circuito
Clamp	Collier	Morsetto
Cleaner	Nettoyage, dispositif de	Detergente
Clevis	Chape	Maniglione
Clip	Pince	Clip
Clutch	Embrayage	Frizione
Coach	Carrosserie	Carrozzeria
Coil	Bobine	Bobina
Collar	Bague de serrage	Piattello
Complete	Complet (complète)	Completo
Components	Composants	Componenti
Compressor	Compresseur	Compressore
Cone	Cône	Cono
Connector	Connecteur	Connettore
Connecting	Connectant	Connessione in corso
Connection	Connexion	Connessione
Con Rod (Connecting Rod)	Bielle	Biella
Continued (Cont.)	Suite	Continuazione (cont.)
Control (Cntrl)	Contrôle	Controllo (Cntrl)
Controller	Contrôleur	Unità di controllo



Conventional	Conventionnel	Convenzionale
Conversion (Conv)	Conversion	Conversione (Conv)
Cooler	Refroidisseur	Refrigerante
Cooling	Refroidissement	Raffreddamento
Copper	Cuivre	Rame
Core	Ame	Nucleo
Cotter	Goupille	Chiavetta trasversale
Coupling	Raccord / Accouplement	Accoppiamento
Cover	Couvercle	Coperchio
Cowling	Capotage	Cappottatura
Crank-case	Carter-moteur	Basamento
Cranked	Contre-coudé	Gambo piegato
Cross Member	Traverse	Traversa
Crown Wheel	Couronne d'entraînement	Corona dentata
Curb	Bord, bordure	Bordo
Cylinder	Cylindre	Cilindro
D		
Damper	Amortisseur	Smorzatore
Deflector	Défecteur	Deflettore
Description	Description	Descrizione
Details	Informations	Dettagli
Detergent	Detergent	Detergente
Diagram	Diagramme	Diagramma
Dial	Cadran	Quadrante
Diaphragm	Diaphragme	Diaframma
Diode	Diode	Diodo
Dipped Beam	Feu de croisement	Anabbagliante
Dipstick	Jauge	Asta di livello
Dipstick guide	Jauge, guide de	Guida asta di livello
Dipstick tube	Jauge, tube de	Tubo asta di livello
Directional	Directionnel	Direzionale
Dirt	Impureté	Sporco
Disc / Disk	Disque	Disco
Display	Écran d'affichage	Visualizzatore
Distributor	Distributeur	Distributore
Diverter	Diviseur	Diverter
Door	Porte	Sportello
Double	Double	Doppio
Dowel	Cheville	Perno di riferimento



Down	Bas	Giù
Dowty Seal	Joint « Dowty »	Chiusura ermetica Dowty
Drag Link Tube	Tube de tige directrice	Tirante longitudinale comando sterzo
Drain Plug	Bouchon de vidange	Tappo di scarico
Drive	Entrainement	Trasmissione
Drive Core	Entrainement, âme d'	Nucleo trasmissione
Drive Coupling	Entrainement, raccord d'	Accoppiamento trasmissione
Drive Dog	Entrainement, crabot d'	Innesco trasmissione
Drive Flange	Entrainement, bride d'	Flangia trasmissione
Drive Motor	Entrainement, moteur d'	Motore principale
Drive Pump	Entrainement, pompe d'	Pompa trasmissione
Drive Shaft	Entrainement, arbre d'	Albero comando
Drive Tube	Entrainement, tube d'	Tubo trasmissione
Dual Sweep	Double balayage	Curvatura doppia
Dump Valve	Soupape de décharge	Valvola di scarico rapido
Dust	Poussière	Polvere
E		
Earth, electrical (Ground)	Terre / Masse	Massa
Eccentric	Excentrique	Eccentrico
Elbow	Coude	Gomito
Electric	Electrique	Elettrico
Electrical	Electrique	Elettrico
Element	Elément	Elemento
Enclosure	Enceinte	Alloggiamento
End	Extrémité	Estremità
End Plate	Extrémité, plaque d'	Piastra estremità
End Cap	Extrémité, chapeau d'	Cappuccio estremità
Engine	Moteur	Motore
Exchange	Echange	Scambio
Exhaust	Echappement	Scarico
Exhaust Gas Recirculation (EGR)	Recyclage de gaz d'échappement	Ricircolo gas di scarico
Expansion	Dilatation	Espansione
Extended	Dilaté	Esteso
Extension	Extension	Estensione
Extinguisher	Extincteur	Estintore
F		





Fan	Ventilateur	Ventola
Fastener	Fixation	Dispositivo di fissaggio
Feed	Alimentation	Alimentazione
Female	Femelle	Femmina
Filler	Remplisseur	Bocchettone di riempimento
Filter	Filtre	Filtro
Finisher	Finisseur	Finitore
Fire	Feu	Combustione
First	Premier	Primo
Fishtail	Queue de poisson / Cône	Coda di pesce
Fit	Emboiter / Monter	Montaggio
Fitting	Raccord	Montaggio
Fixing	Fixation	Rettifica
Flange	Bride	Flangia
Flap	Volet	Alettone
Flash	Flash	Flash
Flexible (Flexi)	Flexible	Flessibile (flexi)
Floor	Plancher	Pavimento
Floorplate	Plaque de sol	Base pavimento
Flow	Débit	Flusso
Fluid	Fluide	Fluido
Flywheel	Volant	Volano
Foam	Mousse	Schiuma
Fog	Brouillard	Nebbia
Foot	Pied	Piede
Forward	Avant	Avanti
Frame	Bâti	Telaio
Front	Avant	Anteriore
Fuel	Carburant	Combustibile
Function	Fonction	Funzione
Fuse	Fusible	Fusibile
G		
Gain	Gain	Guadagno
Galvanised	Galvanisé	Zincato
Gantry	Portique	Cavalletto
Gas	Gaz	Gas
Gas Strut	Jambe à gaz	Puntone gas
Gasket	Garniture d'étanchéité	Guarnizione
Gauge	Manomètre	Calibro



Gauze	Gaze	Garza
Gear	Engrenage	Ingranaggio
Geared	A engrenages	Ingranato
Gearbox	Boîte de vitesses	Scatola del cambio
General	Général(e)	Generale
Glass	Verre	Vetro
Glow Plug	Bougie de préchauffage	Spina a incandescenza
Gobbler (Nozzle Tilt)	Gobbler (Inclinaison d' Embout)	Gobbler (Ugello Inclinazione)
Grab	Grappin	1. Estrattore a pinza (n)
Grease	Graisse	Grasso
Greaser	Graisseur	Ingrassatore
Green	vert	Verde
Grey	gris	Grigio
Grill	gril	Griglia
Grip	manche	1. Presa (n)
Grub Screw	vis sans tête	Vite di riferimento
Grommet	virole	Anello di tenuta
Guard	Carter de protection	Riparo
Guide	Guide	Guida
H		
Handbrake	Frein à main	Freno a mano
Hand	Côté	Mano
Hand Primer	Pompe à main, dispositif de	Pompetta di adescamento a mano
Hand Wash	Lavage à main	Lavaggio a mano
Handle	Poignée	Maniglia
Hanger	Suspension	Supporto pendente
Harness	Harnais	Cablaggio
Head	Tête	Testa
Headlamp	Phare	Faro
Heat	Chaleur	Calore
Heatshield	Bouclier thermique	Scudo termico
Heater	Chauffage	Riscaldatore
High Pressure	Haute pression	Alta pressione
Hi Tip	Bennage en hauteur	Punta alta
Hinge	Charnière	Cerniera
Hinged	Charnière, à	Incernierato
Holder	Porte-outil	Staffa di supporto
Hooks	Crochets	Ganci



Hopper	Trémie	Serbatoio con scarico sul fondo
Horn	Avertisseur sonore	Avvisatore acustico
Hose	Tuyau flexible	Tubo flessibile
Hose Tail	Tuyau flexible, bout de	Raccordo tubo flessibile
Hot	Chaud	Caldo
Hour Meter	Compteur horaire	Contaore
Housing	Logement	Alloggiamento
Hub	Manchon	Mozzo
Hydraulic	Hydraulique	Idraulico
Hydrant	Bouche d'incendie	Idrante
Hydrant Filler	Bouche d'incendie, disp. de remplissage	Filtro idrante
Hydrant Hose	Bouche d'incendie, tuyau souple	Tubo idrante
Hydrostatic	Hydrostatique	Idrostatico
I		
Identification	Identification	Identificazione
Idle	Inactif / Ralenti	Inattivo
Ignition (Ign)	Contact	Accensione (Acc)
Illuminated	Eclairé	Illuminato
Illustrated	Illustré	Illustrato
Illustration	Illustration	Illustrazione
Impellor	Rotor / Turbine	Girante
Inclusive	Compris	Inclusivo
Information (Info)	Informations	Informazioni (Info)
In	Entré	Dentro
Inlet	Entrée	Ammissione
Inlet Cone	Entrée, cône d'	Cono di ammissione
Inlet Pipe	Entrée, tuyau d'	Tubo di ammissione
Injection Pump	Pompe d'injection	Pompa d'iniezione
Injector	Injecteur	Iniettore
Injector Pipe	Tuyau d'injection	Tubo iniettore
Input	Entrée	Ingresso
Inseal Strip	Bande d'étanchéité	Guarnizione sigillante
Insert	Insert	Inserto
Insertion	Insertion	Inserimento
Installation	Installation	Installazione
Instrument	Instrument	Strumento
Insulator	Isolateur	Isolante



Inter Cooler	Refroidisseur intermédiaire	Refrigeratore intermedio
Interior	Intérieur	Interno
Interim	Intérimaire	Interim
Internal	Interne	Interno
Item	Article	Articolo
J		
Jet	Jet	Getto
Joint	Joint	Giunto
Joystick	Joystick	Joystick
Jubilee Clip	Pince crocodile	Fermaglio Jubilee
Junction	Jonction	Incrocio
K		
Key	Clé	Chiave
Key Switch	Interrupteur à clé	Interruttore a chiavetta
Kerb	Bordure	Bordo (as in pavement)
King Pin	Axe-pivot	Perno di sterzaggio
King Post	Poinçon de faite	Puntone di sostegno
Kit	Kit	Corredo
Knob	Bouton	Manopola
L		
Label	Etiquette	
Lamp	Lampe	Lampada etichetta
Work Lamp	Lampe de travail	Lampada da lavoro
Head Lamp	Projecteur	Faro
Side Lamp	Lampe latérale	Luce di posizione
Lance	Lance	Lancia
Lap Joint	Joint à recouvrement	Giunto a sovrapposizione
Large	Grand	Grande
Latch	Verrou	Serratura
Lead	Fil	Cavo
L.E.D. (Light Emitting Diode)	Diode électroluminescente	LED (Diodo a emissione luminosa)
Leash	Laisse	Maglia
Left	Gauche	Sinistra
Left Hand Drive (LHD)	Conduite à gauche	Guida a sinistra (LHD)
Leg	Jambe	Gamba
Length	Longueur	Lunghezza
Lens	Objectif	Lente
Level	Niveau	Livello



Lever	Levier	Leva
Lid	Couvercle	Coperchio
Lift	Ascenseur	Sollevare
Lifting	Levage	Sollevamento
Light	Feux	Luce
Side Light	Feux latéraux	Luce di posizione
Head Light	Phare	Faro
Rear Light	Feu arrière	Fanale di coda
Brake Light	Feux stop	Luce freno
Interior Light	Eclairage intérieur	Luce abitacolo
Fog Light	Feu antibrouillard	Faro antinebbia
Linch Pin	Axe d'essieu	Acciarino
Lining	Revêtement	Rivestimento interno
Link	Maillon	Articolazione
Linkage	Tringlerie	Sistema di leve
Litre	Litre	Litro
List	Liste	Lista
Load	Charge	Carico
Located	Situé	Posizionato
Lock	Verrou	Fermo
Locknut	Ecrou de blocage	Controdado
Locker	Armoire	Armadietto
Locking	Verrouillage	Serraggio
Long	Long	Lungo
Loom	Métier	Cablaggio
Loop	Boucle	Circuito elettrico ad anello
Low Pressure	Basse pression	Bassa pressione
Lower	Baisser	Inferiore
Lubricant	Lubrifiant	Lubrificante
Lubrication	Lubrification	Lubrificazione
M		
Machine	Machine	Macchina
Magnet	Aimant	Magnete
Magnetic	Magnétique	Magnetico
Main	Principal(e)	Principale
Male	Mâle	Maschio
Management	Gestion	Gestione
Manifold	Collecteur	Collettore
Manual	Manuel	Manuale



Manufactured	Fabriqu�	Fabbricato
Marker Lamp	Lampe signal	Lampada di segnalazione
Master	Maitre	Principale
Master Cylinder	Maitre-cylindre	Cilindro principale
Maximum (Max)	Maximum (maxi)	Massimo (max.)
Mesh	Tamis	Maglia
Metal	M�tal	Metallo
Meter	M�tre	Calibro
Micro Switch	Micro-contact	Microinterruttore
Minimum (Min)	Minimum (mini)	Minimo (min.)
Mirror	Miroir	Specchio
Miscellaneous	Divers	Miscellanea
Modified	Modifi�	Modificato
Module	Module	Modulo
Monitor	Moniteur	Monitor
Motor	Moteur	Motore
Mount	Monture	Montaggio
Mounted	Mont�	Montato
Mounting	Ch�ssis / Support	Montaggio
Mud Flaps	Bavettes de garde-boue	Paraspruzzi
Mud Guard	Garde-boue	Parafango
Muffler	Amortisseur	Marmitta
Multi Function	Multifonctions	Multifunzionale
N		
N/A (Not Applicable)	S/O (sans objet)	N/D (Non disponibile)
Narrow	Etroit	Stretto
Near side	C�t� trottoir	Lato guida
Negative	N�gatif	Negativo
Neutral	Neutre	Neutro
New	Nouveau (nouvelle)	Nuovo
Nipple	Manchon	Raccordo filettato
No	Non	N. (Numero)
Non Return	Anti-retour	Non ritorno
Normal	Normal	Normale
Note	Note	Nota
Nozzle	Embout / Buse	Ugello
Number	Num�ro	Numero
Numerical	Num�rique	Numerico
Nut	Ecrou	Dado



Nyloc Nut	Ecrou « Nyloc »	Dado Nyloc
Hex Nut	Ecrou hexagonal	Dado a testa esagonale
Plain Nut	Ecrou normal	Dado liscio
Self Locking Nut	Ecrou autobloquant	Dado autobloccante
Thin Nut	Ecrou mince	Dado sottile
Nylon Tube	Tube de nylon / Nylon, tube de	Tube di nylon
O		
Obsolete	Périmé	Obsoleto
Off	Arrêt	1. Spento 2. Inattivo
Off Side	Côté route	Lato passeggero
Oil	Huile	Olio
Olive	Olive	Oliva
On	Marche	1. Acceso 2. Attivo
Open	Ouvrir	Aprire
Opened	Ouvert(e)	Aperto
Opening	Ouverture	Apertura
Operating	Fonctionnement, de	Operativo
Option	Option	Opzione
Optional	Optionnel(le)	Opzionale
Orange	Orange	Arancione
Original	Original	Originale
O Ring	Joint torique	Anello di tenuta toroidale
Out	Sorti(e)	1. Fuori 2. Esterno
Outer	Extérieur(e)	Esterno
Outlet	Sortie	Sbocco
Output	Production	Uscita
Overhead	Surélevé	in testa
Overload	Surcharge	Sovraccarico
P		
Packer	Garniture d'étanchéité	Imballatore
Panel	Panneau	Pannello
Part	Pièce	Ricambio
Pedal	Pédale	Pedale
Pick-up	Prendre / en lever	Ripresa
Pilot (pressure)	Pilote	Pilota
Pin	Cheville	Perno
Pinion	Pignon	Pignone
Pink	Rose	Rosa
Pipe	Tuyau	Tube



Piping	Tuyauterie	Tubazione
Piston	Piston	Pistone
Pivot	Pivot	Perno di testa
Plastic	Plastique, matière	Plastica
Plate	Plaque	Piastra
Plinth	Plinthe	Base
Plug	Bouchon / Prise électrique	Spina
Point	Point	Punto
Poppet Valve	Soupape / Clapet	Valvola supporto verticale
Ports	Orifices	Porte
Position	Position	Posizione
Positioned	Positionné(e)	Posizionato
Post	Montant	Montante
Potentiometer	Potentiomètre	Potenziometro
Power	Puissance	Potenza
Pneumatic (See Also Air)	Pneumatique	Pneumatico (vedi anche Aria)
Pressure	Pression	Pressione
Primer	Amorce / Apprêt	Innesco
Production	Production	Produzione
Prop	Support	Puntello
Propshaft	Arbre de transmission	Albero puntello
Pull	Tirer	Tirare
Pulley	Poulie	Puleggia
Pulsation	Pulsation	Pulsazione
Pulse	Impulsion	Polso
Pump	Pompe	Pompa
Purple	Violet	Porpora
Push	Pousser	Spingere
Q		
Quick Release	Rapide, raccord	Disinnesco rapido
R		
Radiator (Rad)	Radiateur	Radiatore (rad)
Raise	Soulever	Sollevare
Raised	Soulevé(e)	Solleivato
Ram	Vérin	Pistone
Ratio	Rapport	Rapporto
Rear	Arrière	Retro
Red	Rouge	Rosso
Reducer	Réducteur	Riduttore



Reducing	Réduction, de	Riduzione
Reduction	Roue / Enrouleur	Riduzione
Reel	Bobine	Bobina
Refer	Voir	Riferimento
Refill	Remplir	Rabbocco
Regulator	Régulateur	Regolatore
Related	Relatif	Correlato
Relay	Relais	Relè
Release	Dégagement	Disinnesco
Relief Valve	Soupape de sûreté	Valvola di sfogo
Remote	A distance / Distance, à	Remoto
Repair	Réparation	Riparazione
Replacement	Remplacement	Sostituzione
Resister	Résistance	Resistore
Restrictor	Restriction	Limitatore
Retainer	Retenue, dispositif de	Fermo
Retaining	Retenue, de	Sostegno
Return	Retour	Ritorno
Reverse	Inverse	Retromarcia
Reversing	Recul	Inversione di marcia
Right	Droite	Destra
Right Hand Drive (RHD)	Conduite à droite	Guida a destra
Rim	Jante	Bordo
Ring	Bague	Anello
Road	Route	Strada
Rod	Tige	Asta
Rolling	Roulant, de roulement	Rotolante
Rotary	Rotatif	Rotante
Rotate	Tourner	Ruotare
Rotating	Tournant	Rotante
Rotation	Rotation	Rotazione
Rubber	Caoutchouc	Gomma
S		
Safety	Sécurité	Sicurezza
Scraper	Racleur	Raschietto
Screen	Ecran	Schermo
Screw	Vis	Scheggia
Hex hd (hexagonal head)	Vis à tête 6 pans	Testa esagonale
skt hd (socket head)	Vis à tête creuse	Brugola



csk hd (counter-sunk head)	Vis à tête fraisée	Svasata
Seal	Garniture d'étanchéité	Chiusura ermetica
Sealant	Étanchéifiant	Materiale di tenuta
Sealing	Étanchéité, d'	Sigillante
Seat	Siège	Sedile
Securing	Fixation, de	Fissaggio
Selector Shaft	Levier de commande	Albero selettore
Self Tapping	Auto-taraudeur	Autofilettante
Sender	Expéditeur / Transmetteur	
Sensor	Capteur	Sensore
Separation	Séparation	Separazione
Serial	Série, de	Seriale
Service Exchange (S/EX)	Echange standard	Scambio di servizio
Setscrew	Vis de calage	Vite di fermo
Shaft	Arbre	Albero
Shells	Calandres	Gusci
Shield	Ecran	Scudo
Shim	Cale	Zeppa
Shock Absorber	Amortisseur	Ammortizzatore
Shoe	Patin	Scarpa
Short	Court(e)	Ganascia
Shovel	Pelle	Pala
Side Access Door	Porte d'accès latéral	Sportello accesso laterale
Sight	Vue	Mirino
Silencer	Silencieux	Silenziatore
Silicon	Silicone	Silicone
Single	Simple	Singolo
Skirt	Jupe	Bordatura
Slate	Ardoise	Ardesia
Sleeve	Gaine	Manicotto
Slew	Pivoter	Ruotare
Slewing	Orientation	Rotazione
Sliding	Coulissant	Slittamento
Slotted	Fente, A	Sfinestrato
Small	Petit(e)	Piccolo
Socket	Prise	Presca
Solenoid	Solénoïde / Noyau	Solenoido
Spacer	Pièce d'espacement	
Spare	Rechange, pièce de	



Speakers	Haut-parleurs	
Special	Spécial(e)	
Speed	Vitesse	
Spherical	Sphérique	
Spigot	Goujon / Tube de jonction	
Spindle	Broche	
Splined	Cannelé	
Split Pin	Goupille fendue	
Splitter	Répartiteur	
Spray	Pulvérisateur	Spray
Spring	Ressort	Molla
Stabiliser	Stabilisateur	Distanziatore
Stabilising	Stabilisation	Ricambio
Stack	Pile	Altoparlanti
Standard	Standard	Speciale
Standpipe	Colonne montante	Velocità
Starter	Démarrreur	Sferico
Steel	Acier	Gradino di centraggio
Steering	Direction	Mandrino
Stiffener	Raidisseur	Scanalato
Stop	Arrêt	Coppiglia
Stowage	Arrimage	Sdoppiatore
Straight	Droit(e)	Sistemazione bagagli
Strap	Sangle	Dritto
Strip	Bande	Cintura
Stem	Tige	Guarnizione
Storage	Rangement	Stelo
Strap	Attache	Bagagliaio
Strut	Jambe	Puntone
Stub	Souche	Mozzicone
Stud	Goujon fileté	Prigioniero
Studded	Barrettes, A	Fissato con prigionieri
Studding	Colombage	Fissaggio con prigionieri
Sub Frame	Faux-châssis	Sottotelaio
Suction Fan	Turbine d'aspiration	Ventola aspirante
Suction Nozzle	Buse d'aspiration	Ugello aspirante
Sump	Carter	Coppa
Supply	Fourniture	Alimentazione
Support	Support	Supporto



Suppression	Suppression	Soppressione
Suspension	Suspension	Sospensione
Sweep	Balayage	Curvatura
Sweeping	Balayant, de balayage	Formatura a sagoma
Swing	Balancement	Oscillazione
Switch / Switches	Interrupteur / Interrupteurs	Interruttore / Interruttori
Swivel	Pivotant	Parte girevole
System	Système	Sistema
T		
Tab Washer	Rondelle à languettes	Rondella di sicurezza
Tachograph	Tachygraphe	Tachigrafo
Tachometer	Tachymètre	Tacometro
Tandem	Tandem	Tandem
Tank	Réservoir	Serbatoio
Tapered	Conique	Conico
Taper Lock	Verrou conique	Serratura conica
Tee Key	Clé à béquille	Chiave a T
Temperature (Temp)	Température (temp.)	Temperatura (Temp)
Template	Gabarit	Sagoma
Tensioner	Tendeur	Tensiometro
Terminal	Borne	Terminale
Test	Test	Test
Thermostat	Thermostat	Termostato
Thick	Epais	Spesso
Thimble	Dé	Bussola
Thin	Mince	Sottile
Throttle	Accélérateur	Farfalla
Thrust	Poussée	Spinta
Tie Rod	Tirant	Tirante
Tilt	Inclinaison	Inclinazione
Tilting	Inclinable	Inclinazione
Timer	Minuterie	Timer
Timing	Minutage	Temporizzazione
Toggle	Bascule	Ginocchiera
Tool	Outil	Attrezzo
Toolbox	Boîte à outils	Cassetta attrezzi
Toothed	Dentelé(e)	Dentato
Top	Dessus	Cima
Tow	Remorquer	Rimorchio



Tow Ball	Boule de remorquage	Sfera rimorchio
Tow Bar	Barre de remorquage	Barra rimorchio
Tow Point	Point de remorquage	Punto di rimorchio
Track Rod	Barre d'accouplement	Barra di accoppiamento
Trailer	Remorque	Rimorchio
Transfer Gearbox	Boite de transfert intermédiaire	Scatola del cambio a trasferimento
Transmission	Transmission	Trasmissione
Travel	Course	Corsa
Trunking	Jonction	Circuito di collegamento
Trunnion	Tourillon	Perno di articolazione
Tube	Tube	Tubo
Tubing	Tubage	Tubazione
Turbocharger (Turbo)	Turbocompresseur	Turbocompressore
Twin	Jumelé	Gemello
Type	Type	Tipo
Typical	Typique	Tipico
Tyre	Pneu	Pneumatico
U		
Uncompressed	Non comprimé	Decompresso
Underside	Dessous	Disotto
Universal Joint (U/J)	Joint universel / Croisillon	Giunto universale
Union	Raccord	Unione
Unit	Unité	Unità
Un-Loader	Déchargeur	Scaricatore
Up	Dessus	Su
Update	Mise à jour	Aggiornamento
Usage	Utilisation	Utilizzo
V		
Valve	Vanne / Soupape	Valvola
Variant	Variante	Variante
Vehicle	Véhicule	Veicolo
Voltage	Tension	Voltaggio
W		
Wander Hose	Flexible aspirateur	Tubo flessibile mobile
Warning	Avertissement	Avvertenza
Washer	Rondelle	Rondella
Water	Eau	Acqua
Wear	Usure	Usura



Weed Ripper	Désherbage, dispositif de	Sarchiatore
Welded	Soudé	Saldato
Wheel	Roue	Ruota
White	Blanc(he)	Bianco
Wide Sweep	Balayage large	Curvatura larga
Windscreen	Pare-brise	Parabrezza
Wiper	Essuie-glace	Tergicristallo
Wires	Câblage	Fili
Wiring - black, blue, brown, green, grey, orange, pink, purple, red, white yellow	Câblage - noir, bleu, marron, vert, gris, orange, rose, violet, rouge, blanc jaune	Cablaggio Nero, Blu, Marrone, Verde, Grigio, Arancione, Rosa, Porpora, Rosso, Bianco Giallo
Work Light	Lampe de travail	
X		
Xenon	Xénon	Xenon
Y		
Yellow	Jaune	Giallo



ENGLISH	ESPAÑOL	SVENSKA
A		
Access	Acceso	Tillgång
Accessories	Accesorios	Tillbehör
Accelerator	Acelerador	Gaspedal
Actuator	Accionador, servomotor	Aktiverare
Adaptor (adapt)	Adaptador (Adapt.)	Övergång
Adapter Flange	Brida del adaptador	Övergångsfläns
Adaptor Plate	Disco del adaptador	Övergångsplatta
Adaptor, Straight	Tramo recto del adaptador	Rak övergång
Adjuster	Regulador	Justering
Adjuster Kit	Juego regulador	Justeringsatts
Adjuster Valve	Válvula del regulador	Ventiljustering
Adjustable	Ajustable	Justerbar
Aerial	Antena	Antenn
Air	Aire	Luft
Air Cleaner	Purificador de aire	Luftrenare
Air Conditioner	Aire acondicionado	Luftkonditionering
Air Cylinder	Cilindro de aire	Luftcylinder
Air Filter	Filtro de aire	Luftfilter
Air Manifold	Distribuidor de aire	Luftfördelare
Air Mass Meter	Medidor de masa de aire	Luftmätare
Air Feed	Inyector de aire	Luftförsörjning
Air Chute	Conducto neumático	Dränering
Air Outlet	Salida de aire	Överskottsluft
Air Muffler	Silenciador de aire	Luftljuddämpare
Air Pressure Regulator	Regulador de presión del aire	Luftregulator
Air Ram	Aire a presión	Luftkolv
Air Valve	Válvula de aire	Luftventil
Air Vent Pipe	Tubería del sistema de ventilación	Luftventilsrör
Alternator	Alternador	Generator
Alternator Interface	Acoplamiento del alternador	Generatorfäste
Aluminium (Alum)	Aluminio (Alum.)	Aluminium
Anchor	Anclaje	Ankare
Angle	Ángulo	Vinkel
Antiluce Fastener	Elemento de sujeción "Antiluce"	Låsbeslag(sidodörr)
Amendment (Amdt.)	Corrección (Correc.)	Rättelse/förbättring



Amplifier	Amplificador	Elektrisk förstärkare
Arrangement	Disposición	Arrangemang
Ashtray	Cenicero	Askkopp
Assembly (Assy)	Conjunto (Conj.)	Sätta ihop
Auto Blanking	Borrado automático	Automatisk stängning
Automatic	Automático	Automatisk
Auxiliary	Auxiliar	Extra
Axle	Eje	Axel
Axle Beam	Viga del eje	
Axle Bolt	Perno del eje	Axelbult
Axle Breather	Respiradero del eje	
Axle Carrier & Tube	Tubo y soporte del eje	
Axle Front	Frontal del eje	Framaxel
Axle Rear	Trasera del eje	Bakaxel
Axle Washer	Arandela del eje	Axelbricka

B

Back Plate	Contraplato	Bakstycke
Bag	Bolsa	Säck
Ball	Bola	Kula
Ball End	Lado esférico	
Ball Joint	Rótula	
Ball Valve	Válvula de bola	Kulventil
Bar	Barra	Ramp
Basin	Vasija	Skål
Battery	Batería	Batteri
Battery Housing	Alojamiento de la batería	Batterikåpa
Battery Terminals	Bornes de la batería	Batteriterminal
Battery Lead	Cable de la batería	Batteribly
Battery Tray	Bandeja de la batería	Batteri platta
Beacon	Faro	Varningsljus
Beacon Bar	Barra del faro	Takramp varningsljus
Beam	Haz	Strålkastare
Bearing	Cojinete	Lager
Bell Housing	Carcasa del embrague	Svänghjulskåpa
Bellows	Fuelle	Bälg
Belt	Correa	Remm
Black	Negro	Svart
Blanking	Borrado	Stängning
Bleeper	Emisor de tonos	Backvanare



Blind Rivet	Remache ciego	Popnit
Block	Bloque	Stänga/sätta igen
Blue	Azul	Blå
Board	Tablero	Skiva
Body	Cuerpo	Kropp
Bolt	Perno	Bult
hex hd (hexagonal head)	cab. hexag. (cabeza hexagonal)	Bult (sexkanthuvud)
skt hd (socket head)	cab. hueca (cabeza hueca)	Bult försänkt huvud
csk hd (counter-sunk head)	cab. avell. (cabeza avellanada)	
Boom	Brazo	Bom
Boost	Empujar	Högeffekt
Bore	Calibre	Borra
Boss	Refuerzo	Knopp
Bottom	Inferior	Nertill
Bottle	Botella	Flaska
Box	Cuadro	Låda
Brace	Abrazadera	Band
Bracket (Brkt)	Soporte (Sop.)	Konsoll
Brake	Freno	Broms
Brass Wing Nut	Tuerca de mariposa de latón	Mässingsvingmutter
Breather	Respiradero	Luftare
Broom	Escobilla	Kvast
Brown	Marrón	Brun
Brush	Escobilla	Borste
Base	Base	Bas
Buffer	Amortiguador	Dämpare
Build	Construir	Bygga
Bulb	Bombilla	Lampa
Bulkhead	Mampara	Skott (i tank)
Bumper	Parachoques	Kofångare
Bump Stop	Tope	Underkörningskydd
Bungee Cord	Cuerda elástica	
Bush	Casquillo	Bussning
Buzzer	Zumbador	Summer
Button	Botón	Knapp
C		
Cab	Cabina	Hytt



Cable	Cable	Wire
Caliper	Calibrador	
Cam Shaft	Árbol de levas	Kamaxel
Camera	Cámara	Kamera
Canopy	Cúpula	Kanape
Cap	Tapa	Kåpa
Capping	Cubierta	
Carabiner	Mosquetón	Karbidhake
Carrier	Soporte	Bärare
Case	Caja	Fall
Casing	Carcasa	Hölje
Catalogue	Catálogo	Katalog
Catch	Fiador	Fånga
Caution	Precaución	Varning
Centre	Centro	Mitten
Chain	Cadena	Kedja
Chassis	Chasis	Chassie
Check	Control	Kontrollera
Check Valve	Válvula de retención	Kontrollventil
Chute	Conducto	Dränering
Circlip	Resorte circular	Buntband
Circuit	Circuito	Strömkrets
Clamp	Grapa	Klämma
Cleaner	Limpiador	Rengörare
Clevis	Horquilla	
Clip	Pinza	Klämma
Clutch	Embrague	Koppling
Coach	Carrocería	Kaross
Coil	Bobina	Spole
Collar	Casquillo	Krage
Complete	Completo	Slutföra
Components	Componentes	Komponent
Compressor	Compresor	Kompressor
Cone	Cono	Konisk
Connector	Conector	Kontaktor
Connecting	Conexión en curso	Ansluta
Connection	Conexión	Anslutning
Con Rod (Connecting Rod)	Biela (Biela)	
Continued (Cont.)	Continuación (Cont.)	Fortsatt



Control (Cntrl)	Control (Cont.)	Kontroll
Controller	Controlador	Kontrollant
Conventional	Convencional	Vanlig
Conversion (Conv)	Conversión (Conv.)	Omställning
Cooler	Refrigerador	Kylare
Cooling	Refrigeración	Kylning
Copper	Cobre	Koppar
Core	Núcleo	Stomme
Cotter	Chaveta	Sprint/kil
Coupling	Acoplamiento	Koppling
Cover	Cubierta	Skydd
Cowling	Capó	
Crank-case	Cárter	Vevhus
Cranked	Acodado	Krökt
Cross Member	Travesaño	Tvärstag
Crown Wheel	Corona dentada	Kronhjul
Curb	Borde	Kansten
Cylinder	Cilindro	Cylinder

D

Damper	Amortiguador	Dämpare
Deflector	Deflector	Riktare
Description	Descripción	Beskrivning
Details	Detalles	Detaljer
Detergent	Detergente	Rengöring
Diagram	Diagrama	Diagram
Dial	Cuadrante	Ring
Diaphragm	Diafragma	Diafragma
Diode	Diodo	Diod
Dipped Beam	Luz de cruce	Halvljus
Dipstick	Varilla de nivel de aceite	Olje/mätsticka
Dipstick guide	Guía de la varilla de nivel de aceite	Markering oljesticka
Dipstick tube	Tubo de la varilla de nivel de aceite	Rör oljesticka
Directional	Direccional	Riktningvisare
Dirt	Suciedad	Smutts
Disc/Disk	Disco	Lamell
Display	Pantalla	Skärm
Distributor	Distribuidor	Distributör
Diverter	Desviador de flujo	Omvändare



Door	Puerta	Dörr
Double	Doble	Dubbel
Dowel	Espiga	Plugg/tapp
Down	Abajo	Ner
Dowty Seal	Junta "Dowty"	
Drag Link Tube	Biela de arrastre	
Drain Plug	Tapón de drenaje	Dräneringsplug
Drive	Transmisión	Köra
Drive Core	Núcleo de la transmisión	Drivaxel
Drive Coupling	Acoplamiento de la transmisión	Drivkoppling
Drive Dog	Retén de la transmisión	
Drive Flange	Brida de la transmisión	Drivfläns
Drive Motor	Motor de la transmisión	Drivmotor
Drive Pump	Bomba de la transmisión	Drivpump
Drive Shaft	Eje de la transmisión	Drivaxel
Drive Tube	Tubo de la transmisión	
Dual Sweep	Doble barrido	Dubbelsug
Dump Valve	Válvula de descarga	Övertrycksventil
Dust	Polvo	Damm

E

Earth, electrical (Ground)	Tierra	Jord
Eccentric	Excéntrico	Eccentrix
Elbow	Codo	Vinkel
Electric	Eléctrico	Elektrisk
Electrical	Eléctrico	Elektriska
Element	Elemento	Beståndsdel
Enclosure	Caja	Omgivet
End	Extremo	Slut
End Plate	Placa de tope	Skyddsplatta
End Cap	Tapa de extremo	Skyddskåpa
Engine	Motor	Motor
Exchange	Intercambio	Växla
Exhaust	Escape	Avgaser
Exhaust Gas Recirculation (EGR)	Recirculación de los gases de escape (EGR)	Avgasventil (EGR)
Expansion	Expansión	Expantion
Extended	Extendido	Förlängd
Extension	Extensión	Förlängning



Extinguisher	Extintor	Förlängare
F		
Fan	Ventilador	Fläkt
Fastener	Sujeción	Fäste
Feed	Alimentación	Försörjning
Female	Hembra	Kvinna
Filler	Embudo	Filler
Filter	Filtro	Filter
Finisher	Unidad de acabado	Avslutare
Fire	Fuego	Eld
First	Primero	Första
Fishtail	Cola de pez	
Fit	Acoplar	Passa
Fitting	Conector	Montering/installation
Fixing	Fijación	Laga
Flange	Brida	Fläns
Flap	Aleta	Dörr / öppning
Flash	Centelleo	Blixt
Flexible (Flexi)	Flexible (Flex.)	Flexibel
Floor	Piso	Golv
Floorplate	Placa de piso	Golvplatta
Flow	Flujo	Flöde
Fluid	Líquido	Vätska
Flywheel	Volante	Stödhjul
Foam	Espuma	Skumm
Fog	Niebla	Dimma
Foot	Pie	Fot
Forward	Directa	Framåt
Frame	Bastidor	Ram
Front	Delantero	Fram
Fuel	Combustible	Drivmedel
Function	Función	Funktion
Fuse	Fusible	Säkring
G		
Gain	Ganancia	Vinna
Galvanised	Galvanizado	Galvaniserad



Gantry	Pórtico	Brygga/ställning
Gas	Gas	Gas
Gas Strut	Montante de gas	
Gasket	Junta	Packning
Gauge	Indicador	Tryckmätare
Gauze	Tela metálica	Flor(gasbinda)
Gear	Engranaje	Växel
Geared	Accionado por engranaje	Växlad
Gearbox	Caja de cambios	Växellåda
General	General	I allmänhet
Glass	Vidrio	Glas
Glow Plug	Bujía incandescente	Glödstift
Gobbler (Nozzle Tilt)	"Gobbler"	Tilt (sugbox)
Grab	Gancho	Fånga
Grease	Grasa	Smörja
Greaser	Engrasador	Fett
Green	Verde	Grön
Grey	Gris	Grå
Grill	Rejilla	Grill
Grip	Mango	Grepp
Grub Screw	Tornillo de presión	Avdragare
Grommet	Arandela	
Guard	Protección	Skydd
Guide	Guía	Guide

H

Handbrake	Freno de mano	Handbroms
Hand	Manual, a mano	Hand
Hand Primer	Bomba de mano	Handcreme
Hand Wash	Lavado a mano	Handtvätt
Handle	Asa	Handtag/vred
Hanger	Soporte colgante	Hängare
Harness	Mazo de cables	Sele
Head	Cabeza	Huvud
Headlamp	Faro	Strålkastare
Heat	Calor	Värme
Heatshield	Pantalla térmica	Värmeplåt
Heater	Calentador	Värmare
High Pressure	Alta presión	Högtryck
Hi Tip	Punta alta	Högtippande



Hinge	Bisagra	Gångjärn
Hinged	Articulado	Gångjärns hängd
Holder	Portaherramientas	Hållare
Hooks	Ganchos	Krokar
Hopper	Tolva	Behållare
Horn	Claxon	Signalhorn
Hose	Tubo flexible	Slang
Hose Tail	Extremo de tubo flexible	Slangände
Hot	Caliente	Varm
Hour Meter	Cronómetro	Timräknare
Housing	Carcasa	Kåpa/skydd
Hub	Cubo	Centrum
Hydraulic	Hidráulico	Hydraulisk
Hydrant	Boca de riego	Brandpost
Hydrant Filler		Brandpost huvud
Hydrant Hose	Tubo flexible de la boca de riego	Brandpostslang
Hydrostatic	Hidrostático	Hydrostatisk

I

Identification	Identificación	Identifiering
Idle	Ralentí	Idealisk
Ignition (Ign)	Encendido (Enc.)	Tändning
Illuminated	Encendido	Eliminerad
Illustrated	Ilustrado	Illustrerad
Illustration	Ilustración	Illustration
Impeller	Propulsor	Impeller
Inclusive	Inclusivo	Inklusive
Information (Info)	Información (Info.)	Information
In	Dentro, entrada	In
Inlet	Admisión	Insläpp
Inlet Cone	Núcleo de admisión	Insläppskona
Inlet Pipe	Tubo de admisión	Insläppsrör
Injection Pump	Bomba de inyección	Injektionspump
Injector	Inyector	Injektor
Injector Pipe	Tubo del inyector	Injektorrör
Input	Entrada	Ingående
Inseal Strip	Banda de estanqueidad	
Insert	Insertar	Lägga till
Insertion	Inserción	Insättande/tillägg



Installation	Instalación	Installation
Instrument	Instrumento	Instrument
Insulator	Aislante	Isolerare
Inter Cooler	Refrigerador intermedio	Laddluftkylare
Interior	Interior	Inredning
Interim	Intermedio	Interim
Internal	Interno	Invändig
Item	Elemento	Punkt/artikel

J

Jet	Chorro, inyector	Jet
Joint	Articulación	Punkt
Joystick	Palanca de control	Joystick
Jubilee Clip	Pinza "Jubilee"	Slangklämma
Junction	Unión	Korsning

K

Key	Tecla	Nyckel
Key Switch	Interruptor de llave, llave de contacto	Tändningslås
Kerb	Borde	Kantsten
King Pin	Pivote central	
King Post	Palo macho	
Kit	Juego	Satts
Knob	Mando	Knopp

L

label	Etiqueta	Etikett
Lamp	Lámpara	Lampa
Work Lamp	Lámpara de trabajo	Arbetsljus
Head Lamp	Lámpara de cabeza	Strålkastare
Side Lamp	Lámpara lateral	Positionsljus
Lance	Lanza	Munstycke
Lap Joint	Articulación de solape	Fogpunkt
Large	Grande	Stor
Latch	Pestillo	Regla/stänga
Lead	Plomo, avance	Bly
L.E.D. (Light Emitting Diode)	LED (diodo emisor de luz)	L.E.D diod
Leash	Correa	Remm
Left	Izquierda	Vänster
Left Hand Drive (LHD)	Conducción por la izquierda (LHD)	Vänsterstyrning





Leg	Pata	Ben
Length	Longitud	Längd
Lens	Lentes	Glas
Level	Nivel	Nivå
Lever	Palanca	Spak/hävstång
Lid	Tapa	Lock
Lift	Levantar	Lyfta
Lifting	Levantamiento	Lyfter
Light	Luz	Ljus
Side Light	Luz lateral	Sidoljus
Head Light	Faro	Strålkastare
Rear Light	Luz trasera	Bakljus
Brake Light	Luz de freno	Bromsljus
Interior Light	Luz interior	Innebelysning
Fog Light	Luz antiniebla	Dimmljus
Linch Pin	Pasador con anilla abatible	
Lining	Revestimiento interior	Bromsbelägg/beklädnad
Link	Articulación	Länk
Linkage	Varillaje de mando	Länksystem
Litre	Litro	Liter
List	Lista	List
Load	Carga, cargar	Lasta
Located	Situado	Placerad
Lock	Cierre, bloqueo	Lås
Locknut	Contratuerca	Läsmutter
Locker	Taquilla	Skåp
Locking	Cierre	Låsa
Long	Largo	Lång
Loom	Cableado eléctrico	Hölje
Loop	Bucle	Förbinda
Low Pressure	Baja presión	Lågtryck
Lower	Inferior, bajar	Sänka
Lubricant	Lubricante	Smörjmedel
Lubrication	Lubricación	Smörjning

M

Machine	Máquina	Maskin
Magnet	Imán	Magnet



Magnetic	Magnético	Magnetisk
Main	Principal	Huvud
Male	Macho	Man
Management	Gestión	Skötsel
Manifold	Distribuidor	Fördelare
Manual	Manual	Manual
Manufactured	Fabricado	Tillverkad
Marker Lamp	Luz de señalización	
Master	Principal	Huvud
Master Cylinder	Cilindro maestro	Huvudcylinder
Maximum (Max)	Máximo (Máx.)	Maximum
Mesh	Malla	Galler
Metal	Metal	Metall
Meter	Metro	Meter
Micro Switch	Microinterruptor	Mikrobrytare
Minimum (Min)	Mínimo (Mín.)	Minimum
Mirror	Espejo	Spegel
Miscellaneous	Varios	Ungefärlig
Modified	Modificado	Modifierad
Module	Módulo	Modul
Monitor	Monitor, controlar	Skärm
Motor	Motor	Motor
Mount	Montura	Montera
Mounted	Montado	Monterad
Mounting	Instalación, soporte	Montera
Mud Flaps	Aleta guardabarros	Stänkskydd
Mud Guard	Guardabarros	Stänkskärm
Muffler	Silenciador	Ljuddämpare
Multi Function	Multifunción, multiuso	Flerfunktion

N

N/A (Not Applicable)		
Narrow	Estrecho	Nära
Near side	Lado izquierdo	Nära sidan
Negative	Negativo	Negativ
Neutral	Neutral, punto muerto	Neutral
New	Nuevo	Ny
Nipple	Manguito	Nippel
No. (Number)	Número	Nummer
Non Return	Sin retorno	Ingen återvändo



Normal	Normal	Normal
Note	Nota	Not
Nozzle	Boquilla	Munstycke
Number	Número	Nummer
Numerical	Numérico	Numrerad
Nut	Tuerca	Mutter
Nyloc Nut	Tuerca "Nyloc"	Nylocmutter
Hex Nut	Tuerca hexagonal	Mutter sexkant
Plain Nut	Tuerca lisa	Plan mutter
Self Locking Nut	Tuerca autoblocante	Låsmutter
Thin Nut	Tuerca fina	Mutter (tunn)
Nylon Tube	Tubo de nilón	Nylonslang

O

Obsolete	Obsoleto	Föråldrad
Off	Apagado	Av
Off Side	Lado derecho	Vid sidan av
Oil	Aceite	Olja
Olive	Oliva	Oliv
On	Encendido	På
Open	Abrir	Öppen
Opened	Abierto	Öppnad
Opening	Apertura, abertura	Öppning
Operating	Funcionamiento	Köra
Option	Opción	Tillbehör
Optional	Opcional	Valfri/frivillig
Orange	Naranja	Orange
Original	Original	Orginal
O Ring	Junta tórica	O ring
Out (Extended)	Fuera	
Outer	Exterior	Yttre
Outlet	Salida	Överskott
Output	Producción	Utkommande
Overhead	En cabeza	Över huvudet
Overload	Sobrecarga	Överlasta

P

Packer	Tapón estanco	Packare
Panel	Panel	Panel



Part	Pieza	Del
Pedal	Pedal	Pedal
Pick-up (sensor)	Elegir	Sensor
Pilot (pressure)	Piloto	Pilot (tryck)
Pin	Pasador	Pinne
Pinion	Piñón	Pinjong
Pink	Rosa	Rosa
Pipe	Tubo (rígido)	Rör
Piping	Tubería	Rördragning
Piston	Pistón	Kolv
Pivot	Pivote	Styrtapp
Plastic	Plástico	Plast
Plate	Disco, placa	Tallrik
Plinth	Base	Plint
Plug	Enchufe, tapón	Plugg
Point	Punto	Punkt
Poppet Valve	Válvula de resorte	
Ports	Puertos	Port/öppning
Position	Posición	Position
Positioned	Colocado	Placerad
Post	Poste, borna	Stolpe/stötta
Potentiometer	Potenciómetro	Potensiometer
Power	Potencia	Ström
Pneumatic (See Also Air)	Neumático (véase también Aire)	Pneumatisk
Pressure	Presión	Tryck
Primer	Cebador	Primer
Production	Producción	Produktion
Prop	Apoyo	Stöd/palla under
Propshaft	Árbol de transmisión	Kardanaxel
Pull	Tirar, tracción	Drag
Pulley	Polea	Remskiva
Pulsation	Pulsación	Pulserande
Pulse	Pulso	Puls
Pump	Bomba	Pump
Purple	Púrpura	Lila
Push	Empujar, empuje	Tryck
Q		
Quick Release	Suelta rápida	Snabbkoppling



R		
Radiator (Rad)	Radiador (Rad.)	Kylare
Raise	Levantar	Lyfta
Raised	Levantado	Lyft
Ram	Pistón	Kolv
Ratio	Relación	Radie
Rear	Trasero	Bak
Red	Rojo	Röd
Reducer	Reductor	Reducerare
Reducing	Reducción, reduciendo	Reducera
Reduction	Reducción	Reducering
Reel	Carrete	Hjul
Refer	Ver	Referera
Refill	Rellenar	Återfylla
Regulator	Regulador	Regulator
Related	Relacionado	Besläktad
Relay	Relé	Relä
Release	Liberación	Lösgöra
Relief Valve	Válvula de descarga	Övertrycksventil
Remote	Remoto	Mottagare
Repair	Reparar	Reparera
Replacement	Sustitución	Ersätta
Resister	Registrar, registro	Motstånd
Restrictor	Estrangulador	Strypning
Retainer	Fiador	Förskottshyra
Retaining	Retención	
Return	Retorno	Återvända
Reverse	Inverso	Backa
Reversing	Inversión	Backa
Right	Derecha	Höger
Right Hand Drive (RHD)	Conducción por la derecha (RHD)	Högerstyrd
Rim	Llanta	Kant/fals
Ring	Anillo	Ring
Road	Carretera	Väg
Rod	Varilla	Rulle
Rolling	Rodamiento	Rullande
Rotary	Giratorio, rotativo	Roterande
Rotate	Girar	Rotera



Rotating	Giratorio, rotativo	Rotera
Rotation	Giro	Rotation
Rubber	Goma	Gummi
S		
Safety	Seguridad	Säkerhet
Scraper	Escariador	Skrapa
Screen	Filtro, pantalla	Galler
Screw	Tornillo	Skruv
csk hd (counter-sunk head)	Cab. avell. (cabeza avellanada)	
Hex hd (hexagonal head)	Cab. hexag. (cabeza hexagonal)	Skruv sexkant
skt hd (socket head)	Cab. hueca (cabeza hueca)	Skruv (fösänkt)
Seal	Junta	Tätning
Sealant	Sellante	Flytande tätningmedel
Sealing	Sellado	Täta
Seat	Asiento	Säte
Securing	Fijación	Säkra
Selector Shaft	Eje selector	Väljaraxel
Self Tapping	Aterrajado automático	Självdränerande
Sender	Conmutador selector	Sändare
Sensor	Sensor	Sensor
Separation	Separación	Separerat
Serial	Serie	Serie
Service Exchange (S/EX)	Intercambio de servicio	Utbytesdel
Setscrew	Tornillo de fijación	Sättskruv
Shaft	Eje	Skaft
Shells	Cuerpos	Snäckor
Shield	Protector	Skjöld
Shim	Suplemento	Shims
Shock Absorber	Amortiguador	Stötdämpare
Shoe	Zapata	Sko
Short	Corto	Kort
Shovel	Pala	Skyffel
Side Access Door	Puerta de acceso lateral	Sidodörr
Sight	Vista	Sikt
Silencer	Silenciador	Ljuddämpare
Silicon	Silicona	Silikon
Single	Único, sencillo	Enkel



Skirt	Faldón	Kjol
Slate	Pizarra	
Sleeve	Manguito	Muff
Slew	Pivotar	Svänga/slira
Slewing	Pivotaje	Svängande/slirande
Sliding	Deslizamiento	Glidande
Slotted	Ranurado	Spräckt
Small	Pequeño	Liten
Socket	Casquillo	Socket
Solenoid	Solenoid	Solenoid
Spacer	Separador	Distans
Spare	Repuesto	Reserv
Speakers	Altavoces	Högtalare
Special	Especial	Special
Speed	Velocidad	Fart
Spherical	Esférico	Klotformig
Spigot	Espiga	Rör
Spindle	Husillo	Spindel
Splined	Acanalado	Flisad/splittrad
Splinter	Partícula	Skärva/splitter
Split Pin	Chaveta hendida	Låspinne
Splitter	Separador	Fördelare
Spray	Pulverizador, rociador	Spaya
Spring	Muelle	Fjäder
Stabiliser	Estabilizador	Stabiliserare
Stabilising	Estabilización	Stabilisera
Stack	Pila	Fullpropad med
Standard	Estándar	Standard
Standpipe	Tubo vertical	Vattenpost
Starter	Motor de arranque	Startmotor
Steel	Acero	Stål
Steering	Dirección	Styrning
Stem	Vástago	Stoppa
Stiffener	Contrafuerte, larguero	Förtjockare
Stop	Parar	Stopp
Storage	Almacenamiento	Lagra
Stowage	Estiba	Stuvningsutrymme
Straight	Recto	Rakt
Strap	Tira de sujeción	Sätta fast



Strip	Banda	Ta bort
Strut	Puntal	Balk/stötta
Stub	Tope	Stump/talong
Stud	Espárrago	
Studded	Con pasador	
Studding	Pasante	
Sub Frame	Bastidor auxiliar	Underram
Suction Box	Caja de succión	
Suction Fan	Ventilador de succión	Sugfläkt(turbin)
Suction Nozzle	Boquilla de succión	Sugmunstycke
Sump	Sumidero	Oljetråg
Supply	Suministro	Förse
Support	Asistencia, soporte	Stödja
Suppression	Supresión	Undertryck
Suspension	Suspensión	Fjädring
Sweep	Barrido	Sopa
Sweeping	Barrido, barriendo	Sopa
Swing	Oscilación	Svänga
Switch	Interruptor	Brytare
Switches	Interruptores	Brytare
Swivel	Giratorio	Svängbar
System	Sistema	System

T

Tab Washer	Arandela con lengüeta	
Tachograph	Tacógrafo	Färdskrivare
Tachometer	Tacómetro	Hastighetsmätare
Tandem	Tándem	Tandem
Tank	Tanque	Tank
Tapered	Cónico	Avsmalnande
Taper Lock	Cierre cónico	Plugg
Tee Key	Llave en T	Gren
Temperature (Temp)	Temperatura (Temp.)	Temperatur
Template	Plantilla	Mall
Tensioner	Tensor	Sträckare
Terminal	Terminal	Terminal
Test	Prueba	Test
Thermostat	Termostato	Termostat
Thick	Espeso	Tjock
Thimble	Dedal	Fingerborg



Thin	Delgado	Smal
Throttle	Regulador de gases	Trottlet
Thrust	Empuje	Tryck
Tie Rod	Barra de acoplamiento trans-versal de la dirección	
Tilt	Inclinar	Tilt
Tilting	Inclinación	Tilta
Timer	Temporizador	Timer
Timing	Sincronización	Tids anpassa
Toggle	Báscula	Vippa
Tool	Herramienta	Verktyg
Toolbox	Caja de herramientas	Verktygslåda
Toothed	Dentado	Signalhorn
Top	Superior	Topp
Tow	Remolque	Dra / bogsera
Tow Ball	Bola de remolque	Dragkula
Tow Bar	Barra de remolque	Dragkrok
Tow Point	Punto de remolque	Dragpunkt
Track Rod	Tirante transversal	
Trailer	Remolque	Släp
Transfer Gearbox	Caja de cambios transferen-cia, caja transfer	Tillsattsväxellåda
Transmission	Transmisión	Transmission
Travel	Recorrido, viaje	Resa
Trunking	Unión	
Trunnion	Muñón	
Tube	Tubo	Rör
Tubing	Sistema de tuberías	Rördragning
Turbocharger (Turbo)	Turbocompresor (Turbo)	Turbo
Twin	Gemelo, bimotores	Dubbel
Type	Tipo	Typ
Typical	Típico	Typisk
Tyre	Neumático	Däck
U		
Uncompressed	No comprimido	Okomprimerad
Underside	Inferior	Undersida
Universal Joint (U/J)	Junta cardánica (U/J)	Knutkors



Union	Unión	Förena
Unit	Unidad	Del
Un-Loader	Descargador	Avlastning
Up	Arriba	Upp
Update	Actualizar	Uppdatera
Usage	Uso	Andvändning

V

Valve	Válvula	Ventil
Variant	Variante	Variant
Vehicle	Vehículo	Fordon
Voltage	Tensión	Volt

W

Wander Hose	Tubo flexible móvil	Sugslang (lövsug)
Warning	Advertencia	Varning
Washer	Arandela	Bricka
Water	Agua	Vatten
Wear	Desgaste	Slitage
Weed Ripper	Escardador	Ogräs
Welded	Soldado	Svetsad
Wheel	Rueda	Hjul
White	Blanco	Vit
Wide Sweep	Barrido amplio	Vals
Windscreen	Parabrisas	Vindruta
Wiper	Limpiaparabrisas	Torkare
Wires	Cables	Ledningar
Wiring	Cableado	Ledningsdragning
Black, Blue, Brown, Green, Grey, Orange, Pink, Purple, Red, White Yellow	Negro, Azul, Marrón, Verde, Gris, Naranja, Rosa, Púrpura, Rojo, Blanco Amarillo	Svart Blå Brun Grön Grå Orange Rosa Lila Röd Vit Gul
Work Light	Lámpara de trabajo	Arbetsljus

X

Xenon	Xenón	Xenon
--------------	-------	-------

Y



Yellow	Amarillo	Gul
Yoke	Horquilla	Sammankoppla







SCARAB
FAYAT GROUP



M6 & FS6000 SKID-MOUNTED ROAD SWEEPERS

ILLUSTRATED PARTS CATALOGUE

ILLUSTRATED PARTS CATALOGUE

M6 and FS6000 **with CANbus 3.x Control System**

Manual Z038628

Issue: 3.4.3. September 2014



To download the latest version scan the QR Code or visit our website.

Scarab Sweepers Limited
Pattenden Lane - Marden - Kent TN12 9QD, UK
T: +44 (0)1622 831 006 - F: +44 (0)1622 832 417
E: scarab@scarab-sales.com - W: scarab-sweepers.com
Registered in England No. 18923459 - VAT No. GB 374 5002 68
Registered Office: Pattenden Lane, Marden, Tonbridge, Kent TN12 9QD, UK



Cert No. 5757
ISO 9001

Important Notice To Users

This manual is published by the Technical Publications Department of Scarab Sweepers Limited and every effort is made to ensure that the information it contains is correct at the time of publication. Due to a policy of continuous development, however, the Company reserves the right to alter the specification and to supply when so altered without reference to illustrations and descriptions in this manual.

Parts depicted or mentioned in this manual may or may not be fitted to your particular road sweeper due to various options that may or may not have been selected and does not therefore infer that the part should be fitted to your particular road sweeper or is missing. If in doubt then please contact the Scarab Parts Department for clarification.

It is imperative that the correct model is FULLY identified when procuring replacement parts for your Scarab Sweeper. To avoid unnecessary confusion and delays caused by incorrectly ordered parts, please refer to the Vehicle Serial Number (CE) Plate and take note of the vehicle's number.

i The Serial Number Plate is located on the left hand side of the subframe, below the hydraulics cabinet door.

The example shown here is for guidance only.



	Scarab Road Surface Cleaner www.scarab-sweepers.com	Scarab Sweepers Limited Pattenden Lane, Marden, Tonbridge, Kent. TN12 9QD, England.
Type	<input type="text"/>	
Serial Number	<input type="text"/>	<input type="text"/>
Year of Manufacture	<input type="text"/>	

This information **MUST** accompany **EVERY** parts order to ensure that the correct parts are supplied.

How To Use This Illustrated Parts Catalogue

Introduction

This Illustrated Parts Catalogue has been organised to facilitate ease of use when identifying and procuring replacement parts for the Scarab Sweeper.

The information content has been arranged in a logical manner by creating a number of separate sections, each dealing with a specific aspect or sub-system of the machine, complete with its own table of contents. Where relevant, cross-references from one section to another have been included to enable the user to quickly navigate to the information that gives the required level of detail.

Using The Parts Lists

The breakdown structure within each parts list reflects the inter-relationship of the various components in an assembly. The order of information (L to R) is: Item/Part No./Quantity/Description.

The first item on a parts list, is the description of the main assembly in question, is shown in bold, thus:

Description of Main Assembly

The succeeding parts generally fall into two categories, namely attaching parts i.e. bolts, screws, nuts, washers etc. or breakdown parts i.e. assemblies/sub assemblies and/or piece parts.

The parts are listed with each successive level being indented from its own parent level as follows:

<i>Item</i>	<i>Part Number</i>	<i>Quantity</i>	<i>Description</i>
			Description of Main Assembly
1	064321	1	Sub-Assembly 1 of Main Assembly
	012356	2	. Setscrew, M6 x 30mm
2	045678	1	. Sub-Sub-Assembly 1 of Sub-Assembly 1
3	032145	1	. . Piece part 1 of Sub-Sub-Assembly 1
	012356	2	. . . Setscrew, M6 x 30mm
NI	032187	1	. . Piece part 2 of Sub-Sub-Assembly 1
4	045678	1	. Sub-Sub-Assembly 2 of Sub-Assembly 1
5	032142	1	. . Piece part 1 of Sub-Sub-Assembly 2
	090909	AR	. . . Hose. rubber, 1 bore
6	064321	1	Sub-Assembly 2 of Main Assembly

As the parts list develops it can be seen how the individual items comprising the Main Assembly are related and how this relationship is shown by indenting.

Item Numbers

Item numbers are used to cross-refer items from the parts lists to their associated illustrations and vice-versa, except for, attaching parts.

If the illustration of an item is superfluous, then the item number will be listed as not illustrated:- **NI**.

Part Numbers

Not every item will have a part number associated with it because it might be an assembly that is broken down into it components else where or there might be different versions of that item described elsewhere.

Quantities

When a parts quantity has been marked with **AR** then this means **as required**, for example hose lengths may differ slightly due to the route taken, or you may have one or more of a given part then the quantity will be **as required** due to the quantity of said part that is fitted to a particular sweeper configuration.

PDF Version

The PDF version of this manual has been created to open like you would the real manual with two pages per view, so do not click the one page per view button otherwise it makes it harder to read. It will include bookmarks to each chapter and links to other sections from components that are also referenced elsewhere to make navigation throughout the manual easier.

Warranty Statement

1. Scarab Sweepers Limited (hereinafter referred to as the Company) warrants that (subject to the other provisions of the published Terms and Conditions of Sale - available upon request) upon delivery and for a period of 12 months from the date of actual delivery, or 2,000 running hours from the date of actual delivery whichever is sooner, the Goods correspond with their specification at the time of delivery, and will be free from defects in materials and workmanship.
2. The Company does not warrant the condition or quality of any used Goods supplied to the Customer, or other truck manufacturers' chassis cab content or to the auxiliary engine fitted in the Scarab Sweeper or to any other component not manufactured by the Company and any such warranty claims must be submitted to the manufacturer of that component, or their locally appointed agent.
3. The Company shall not be liable for a breach of any of the warranties in condition 1 unless the Customer gives written notice of the defect to the Company, and (if the defect is as a result of damage in transit) to the carrier, within 7 days of the time when the Customer discovers or ought to have discovered the defect.
4. The Company shall not be liable for a breach of any of the warranties in condition 1 if the Customer makes any further use of such Goods after giving such notice, the defect arises because the Customer failed to follow the Company's oral or written instructions as to the storage, installation, commissioning, use or maintenance of the Goods or (if there are none) good trade practice, or the Customer alters or repairs such Goods without the written consent of the Company, or uses non genuine parts to effect a repair.
5. The following consumable items listed are excluded from the Company warranty:
 - all fuel oils,
 - antifreeze,
 - all brush link pivots and bushes,
 - wander hoses, suction nozzles,
 - body inlet ducts, wearing plates,
 - high pressure water pump piston seals and valves,
 - door seals,
 - inlet seals,
 - batteries,
 - tyres,
 - all brushes,
 - lift cables,
 - rubber skirts,
 - suction nozzle wheels,
 - flap trunking,
 - deflectors,
 - screens flaps or blanking plates,
 - water pump diaphragm valves and water jets,
 - all filter strainers and elements,
 - windows,
 - glass mirrors,
 - light bulbs,
 - fuses,
 - brake lining pads,
 - auxiliary drive belts and any other part normally regarded as consumable.
6. Any parts replaced under the terms of this warranty will be covered by the unexpired portion of this warranty.
7. Subject to conditions 3 and 4, if any of the Goods do not conform with any of the warranties in condition 1 the Company shall at its option repair or replace such Goods (or the defective part) or refund the price of such Goods at the pro rata Contract rate provided that, if the Company so requests, the Customer shall, at the Customer's expense, remove the defective Goods or part of such Goods and return the Goods or the part of such Goods which is defective to the Company. Parts replaced under warranty will be delivered by the Company FOB port of exportation.
8. If the Company complies with the terms contained in this statement it shall have no further liability for a breach of any of the warranties in condition 1 in respect of such Goods.
9. No representative or agent of Scarab Sweepers Limited has the authority to add or to vary these Warranty Conditions except with the Company's official confirmation in writing from Scarab Sweepers Limited, head office in Marden Kent, England.

For further information, please refer to the Company's Terms & Conditions of Sale. In the event of conflict between this Warranty Statement and the Company's Terms & Conditions of Sale the latter will prevail.

Amendment Record

Issue Number	Date Incorporated	Section	Pages Affected By Amendment
2	06 June 2012	All	All
3	21 June 2012	A	1,2
3	21 June 2012	C	7,8
3	21 June 2012	D	9
3	21 June 2012	H	1,2
3	26 June 2012	J	1,2
3	12 July 2012	D	7
3	12 July 2012	E	25
3	23 July 2012	C	3,4
3	07 August 2012	C	13,14
3	07 August 2012	Foreword	0
3	03 September 2012	D	5
3	04 September 2012	B	1,2
3	06 September 2012	C	11,12
3	18 September 2012	C	17
3	18 September 2012	J	1,2
3	08 October 2012	E	7,8
3	08 October 2012	H	3,4,6
3	08 October 2012	Foreword	0,1,2
3	11 October 2012	C	13,14
3	18 October 2012	E	7,8,25
3	23 October 2012	B	3
3.1.1	22 November 2012	A	1
3.1.1	22 November 2012	H	1
3.1.1	23 November 2012	Front Cover	1
3.1.1	30 November 2012	F	7
3.1.1	03 December 2012	D	1,7
3.1.1	03 December 2012	C	17
3.1.1	04 December 2012	H	5
3.1.1	06 December 2012	F	7,8
3.1.2	03 January 2013	F	8
3.1.2	03 January 2013	D	5,6
3.1.3	21 January 2013	F	7
3.1.4	01 February 2013	D	9
3.1.5	05 March 2013	C	17,18
3.2.0	08 March 2013	A	ALL
3.2.0	08 March 2013	H	1,5,6
3.2.1	25 March 2013	C	7,8
3.2.1	26 March 2013	D	5
3.2.1	28 March 2013	E	1
3.2.1	28 March 2013	B	1,2

Table of Contents

<i>Description</i>	<i>Section</i>
Controls and Instruments	A
Auxiliary Engine	B
Subframe, Hopper & Related Equipment	C
Sweeping and Suction	D
Washing and Dust Suppression	E
Hydraulic System	F
Pneumatic System	G
Electrical System	H
Labels and Decals	J

CONTROLS AND INSTRUMENTS

SECTION A

TABLE OF CONTENTS

<i>Assembly/Description</i>	<i>Page</i>
Cab Items - Controls - CANbus 3	1
Cab Items - Controls - CANbus 3.1	3

<i>Item</i>	<i>Part Number</i>	<i>Quantity</i>	<i>Description</i>
Cab Items - Controls - CANbus 3			
1		1	Main control panel Page H1
2	037055	1	. Fixing plate, enclosure, main control panel
	000346	1	. . Screw, socket button head, M5 x 16mm
	000155	1	. . Nut, M5, Nyloc
3	030188*	1	. Ball joint, main control panel
NI	036912	1	. Loom, main control panel Page H5
NI	036914	1	. . Loom, main control panel, power Page H5
4	037046	1	Display screen Page H1
NI	036916	1	. Loom, display screen Page H5
5	032108*	1	. Ball joint, display screen
6		1	Auxiliary controller (door pod) Page H1
NI	036913	1	. Loom, auxiliary controller, (door pod) Page H5
NI	036915	1	. . Loom, auxiliary controller, power, (door pod) Page H5
7	*	1	. Bracket, mounting, auxiliary controller (door pod)
8	037064	1	. Clamp, fixing plate
NI	038013	1	Loom, cab Page H5
9	036799**	3	Node, cabinet module (CR2012) Page H1
9a	038985**	3	Node, E9G212, cabinet module (CR2012) Page H1
NI	*	AR	. Bracket, mounting, cabinet module
10	037074***	1	Hopper remote controller, complete Page H1
NI	037047	1	. Loom, hopper remote controller Page H5
11	037300	1	. Storage pocket, hopper remote controller
12	037048		Sounder (for keypad) Page H6

Notes:-

- * These are examples of screen and control mountings. They are subject to the chassis/cab they are being installed on. Please contact Scarab Parts Department for further information.
- ** Please contact the Scarab Parts Department regarding these nodes.
- *** Not used if Hopper and Rear Door Hydraulic Operating Levers are fitted.



9,9a



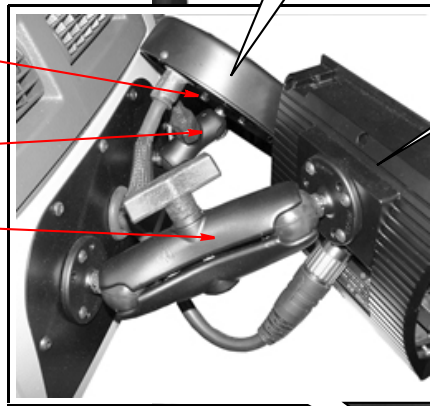
1



4



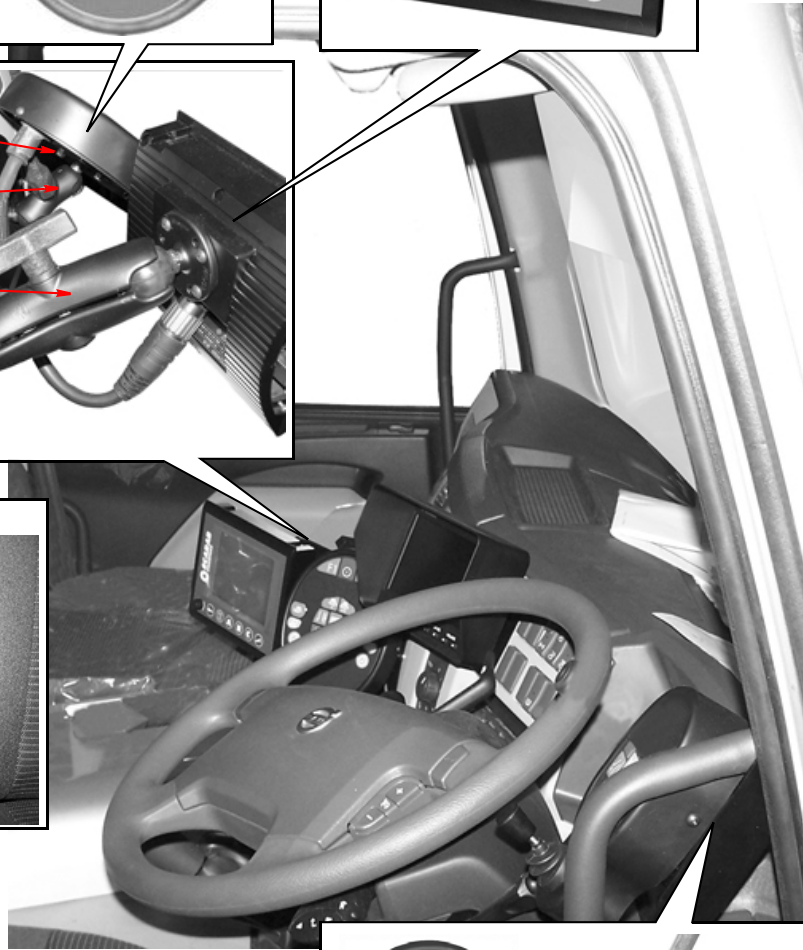
12



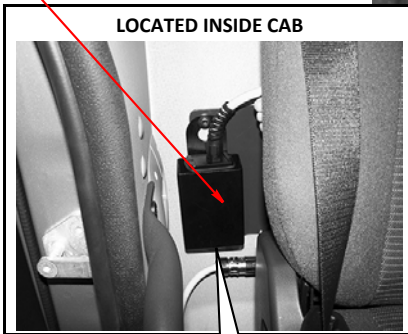
2

3

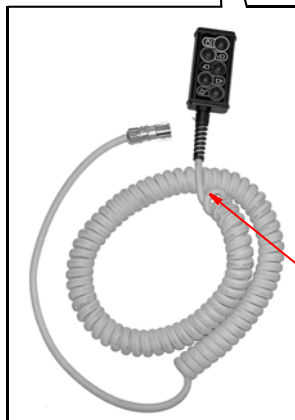
5



12



LOCATED INSIDE CAB



10



6

7

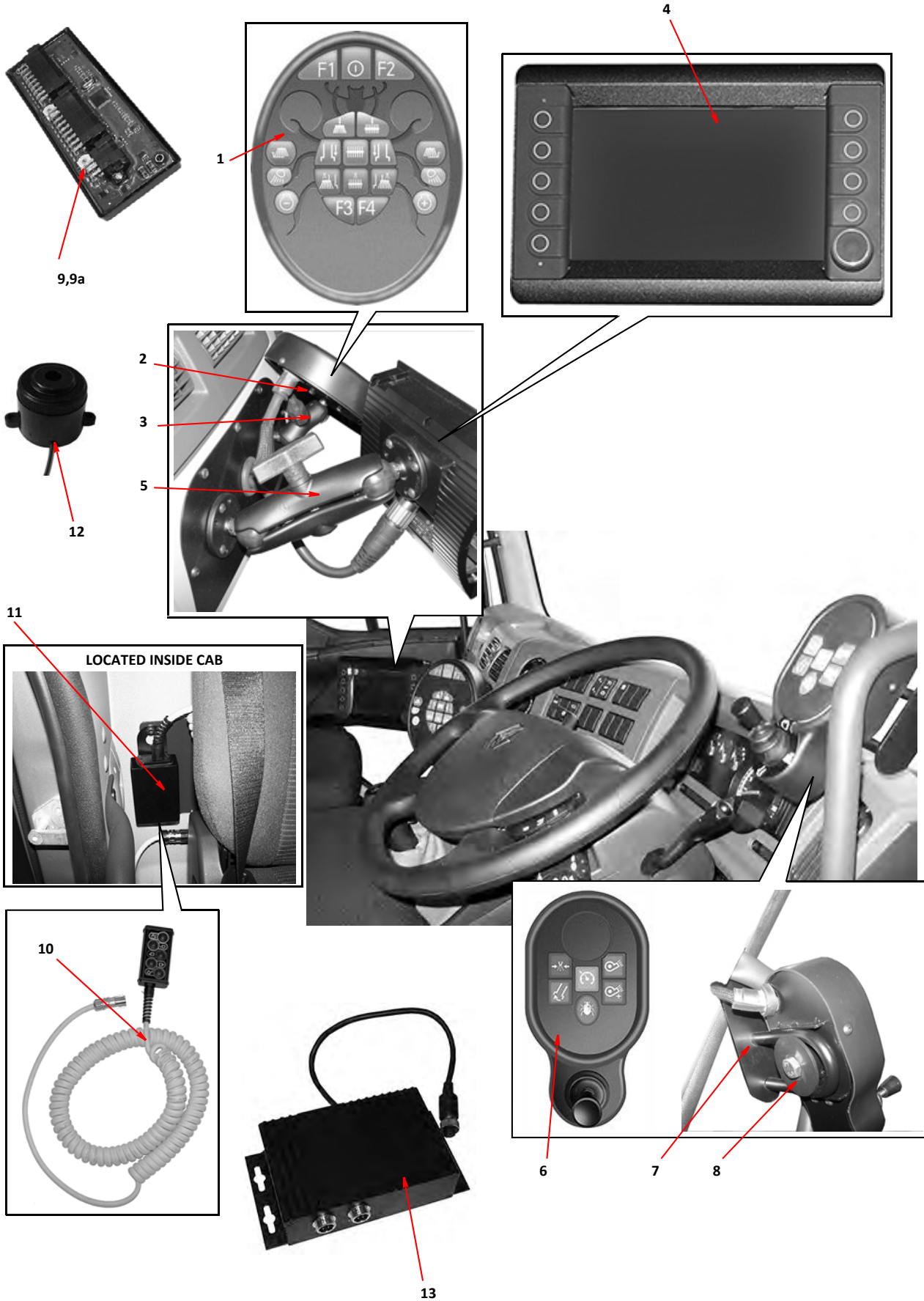
8

MAIN CONTROLS - CANbus 3

<i>Item</i>	<i>Part Number</i>	<i>Quantity</i>	<i>Description</i>
Cab Items - Controls - CANbus 3.1			
1		1	Main control panel Page H1
2	037055	1	. Fixing plate, enclosure, main control panel
	000346	1	. . Screw, socket button head, M5 x 16mm
	000155	1	. . Nut, M5, Nyloc
3	030188*	1	. Ball joint, main control panel
NI	036912	1	. Loom, main control panel Page H5
NI	036914	1	. . Loom, main control panel, power Page H5
4	038553	1	Display screen Page H1
NI	036916	1	. Loom, display screen Page H5
NI	040353	1	. Loom, power supply, rear camera Page C17, H5
NI	040355	1	. Loom, rear camera Page C17, H5
5	032108*	1	. Ball joint, display screen
6		1	Auxiliary controller, (door pod), new fan symbols Page H1
NI	036913	1	. Loom, auxiliary controller, (door pod) Page H5
NI	036915	1	. . Loom, auxiliary controller, power, (door pod) Page H5
7	*	1	. Bracket, mounting, auxiliary controller (door pod)
8	037064	1	. Clamp, fixing plate
NI	038013	1	Loom, cab Page H5
9	036799**	3	Node, cabinet module (CR2012) Page H1
9a	038985**	3	Node, E9G212, cabinet module (CR2012) Page H1
NI	*	AR	. Bracket, mounting, cabinet module
10	037074***	1	Hopper remote controller, complete Page H1
NI	037047	1	. Loom, hopper remote controller Page H5
11	037300	1	. Storage pocket, hopper remote controller
12	037048	1	Sounder (for keypad) Page H6
13	041534	1	Camera splitter unit Page H6

Notes:-

- * These are examples of screen and control mountings. They are subject to the chassis/cab they are being installed on. Please contact Scarab Parts Department for further information.
- ** Please contact the Scarab Parts Department regarding these nodes.
- *** Not used if Hopper and Rear Door Hydraulic Operating Levers are fitted.



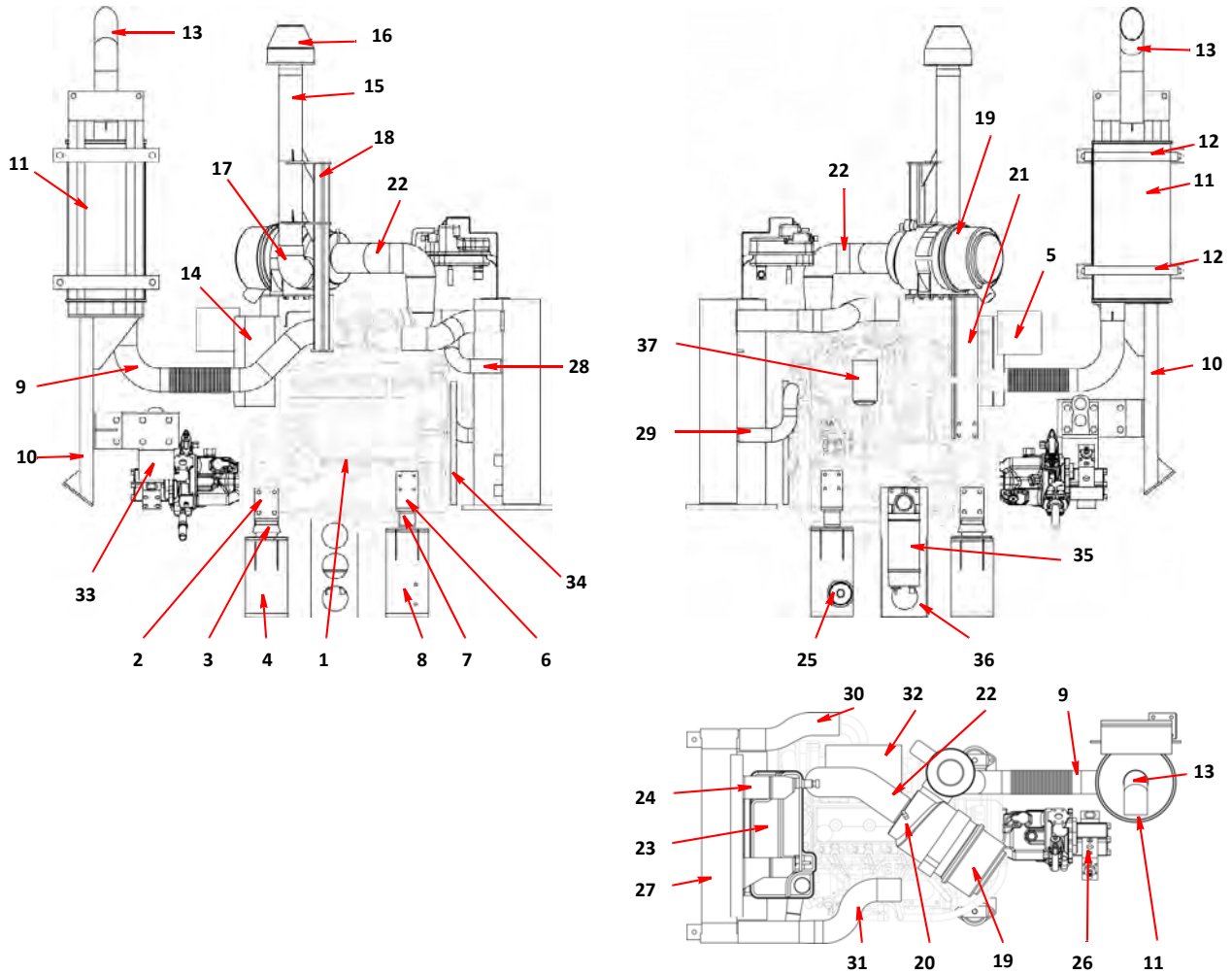
MAIN CONTROLS - CANbus 3.1

AUXILIARY ENGINE SECTION B

TABLE OF CONTENTS

<i>Assembly/Description</i>	<i>Page</i>
Auxiliary Engine General Arrangement	1
Auxiliary Engine General Arrangement	2
Additional Cummins Replacement Components	2
Diesel Fuel Tank and Associated Components	3
Auxiliary Engine - Service Kits	5
First Service	5
250 Hour Service	5
2000 Hour Service	5

<i>Item</i>	<i>Part Number</i>	<i>Quantity</i>	<i>Description</i>
Auxiliary Engine General Arrangement			
1	*	1	Cummins QSB3.3 Auxiliary Engine
2	033615	2	. Engine mounting bracket, rear
3	030724	2	. . Engine mount, rear
4	033527	1	. . Support cradle, rear
NI	038801	1	. . . Frame, junction box (pre WK8239)
NI	038802	1 Mount, junction box (pre WK8239) Page H3
NI	040602	1	. . . Frame, junction box and fuel filter (WK8239 onwards)
5	037308	1 Enclosure, battery junction box Page H3
6	033614	2	. Engine mounting bracket, front
7	013409	2	. . Engine mount, front
8	033523	1	. . Support cradle, front
9	035356	1	. Down pipe, exhaust
	036831	1	. . U Clamp 83mm
10	034372	2	. . Mounting bracket, exhaust
11	035357	1	. . Silencer, exhaust
12	033240	2	. . . Strap, silencer
	011075	2 Nut, M10, Nyloc
	011094	2 Washer, M10
13	035358	1	. . Tail pipe, exhaust
	036831	1	. . . U Clamp 83mm
14	033698	1	. . Heat shield, exhaust
15	034371	1	. Air stack (pre WK8239)
15	040603	1	. Air intake stack (WK8239 onwards)
16	036022	1	. . Cap, air stack
17	025550	1	. . Elbow, air stack, rubber
18	037191	1	. . Support, air stack (pre WK8239)
NI	040604	1	. . Bracket, air stack (WK8239 onwards)
	036831	1	. . U Clamp 83mm
	011064	2	. . . Bolt, high tensile, M12 x 110mm
	011096	4 Washer, M12
	011077	2 Nut, M12, Nyloc
NI	012931	1	. . . Clamp, worm drive, 70-90mm
19	025279	1	. Air box
20	030875	1	. . Sender, air filter blocked
NI	034343	1	. . . Elbow, sender, air filter blocked
NI	025280	1	. . Element, air filter
NI	025281	1	. . Safety element, air filter
21	038019	1	. . Support, air box
NI	041064	1	. . Brace, air box support
NI	041065	2	. . Bobbin mount, male/male, M8
22	033594	1	. Pipe, air inlet
23	034954	1	. Expansion tank Page F1
24	035537	1	. . Bracket, expansion tank (pre WK8239))
NI	040605	2	. . Bracket, expansion tank (WK8239 onwards)
NI	039932	4	. . . Fastener, anti-vibration, M8
	011012	4 Setscrew, high tensile, M8 x 30mm
NI	036678	1	. . Support plate, expansion tank
25	025103	1	. Filter, hydraulic, high-pressure Page F21
26		1	. Pump, hydraulic, arrangement Page F13
27	033711	1	. Radiator, combined oil and intercooler Page F1
28	033593	1	. . Hose, radiator
NI	003006	2	. . . Clamp, worm drive, 35 - 50mm
29	033592	1	. . Hose, radiator
NI	012927	2	. . . Clamp, worm drive, 40 - 55mm
30	033590	1	. Hose, intercooler 'A'
NI	005112	4	. . Clamp, worm drive, 60 - 80mm



AUXILIARY ENGINE - GENERAL ARRANGEMENT

Item	Part Number	Quantity	Description
Auxiliary Engine General Arrangement - Continued			

31	033591	1	. Hose, intercooler 'B'
32	033699	1	. Cover, turbo unit
NI	033703	1	. . Bracket, turbo unit cover
33	034959	1	. Filter, oil
34	034961	1	. Belt, alternator
35	036195	1	. Filter, pre-fuel
36	034593	1	. . Bracket, pre-fuel filter (pre WK8239)
37	034960	1	. Filter, fuel

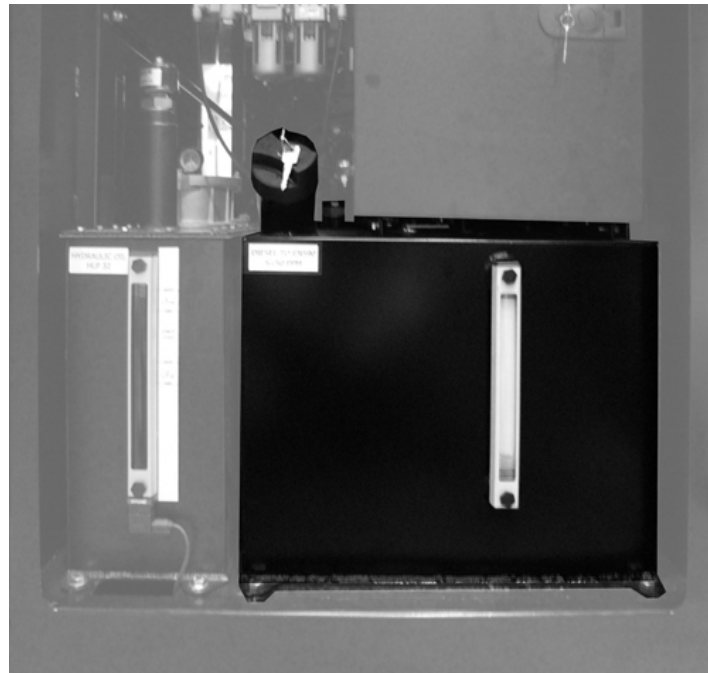
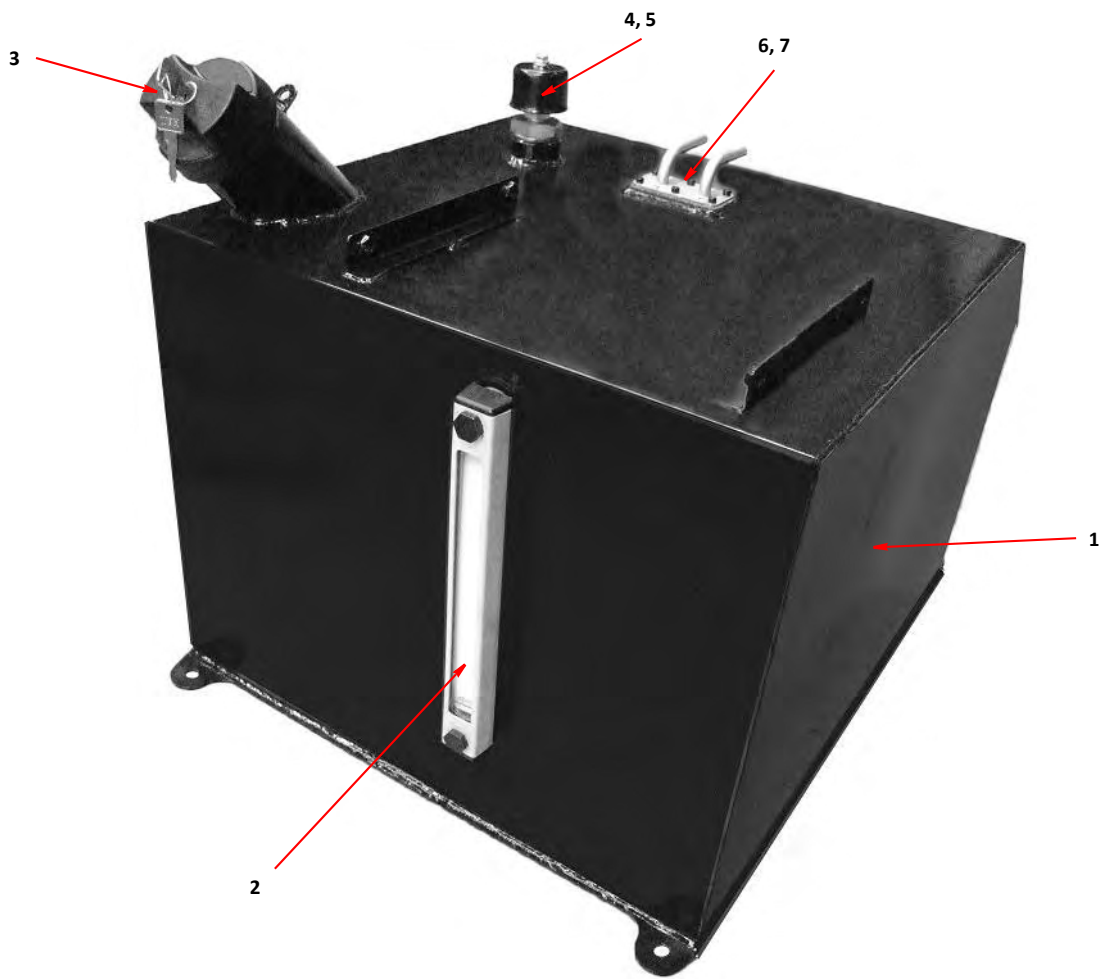
Additional Cummins Replacement Components*

NI	TBA	1	. Starter Motor - QSB3.3 Engine
NI	TBA	1	. Alternator - QSB3.3 Engine
NI	TBA	1	. Turbo-charger - QSB3.3 Engine
NI	TBA	1	. Thermostat - QSB3.3 Engine
NI	TBA	1	. Gasket, valve cover - QSB3.3 Engine
NI	TBA	1	. Oil drain plug & gasket - QSB3.3 Engine

Notes:-

* Please contact Scarab Parts Department regarding this engine as there are different versions depending on the part of the world the engine is intended for also for parts marked 'TBA' and all Cummins Service Kits. Information relating to parts for the Cummins QSB3.3 Auxiliary Diesel Engine can be obtained from the following web site: <https://quickserve.cummins.com/info/index.html>

<i>Item</i>	<i>Part Number</i>	<i>Quantity</i>	<i>Description</i>
Diesel Fuel Tank and Associated Components			
1	034324	1	Diesel fuel tank 120 Litre Page C1
2	032662	1	. Gauge, fuel level
NI	021979	2	. . Washer, rubber
3	033332	1	. Cap, fuel, and key
4	020688	1	. Breather
5	020689	1	. . Plug, breather "
NI	011156	1	. . . Seal, Dowty, 1" BSP
6	034604	1	. Fuel feed/return unit
7	031189	1	. . Gasket, fuel feed/return unit
NI	000142	6	. . Screw, cap head, M4 x 15mm
NI	011243	1	. Plug, 1/2" BSP
NI	011154	1	. . Seal, Dowty, 1/2" BSP
NI	031150	1	. Non-return valve, fuel



FUEL TANK AND ASSOCIATED COMPONENTS

<i>Part Number</i>	<i>Quantity</i>	<i>Description</i>
Auxiliary Engine - Service Kits		
034962		
First Service (250 Hours)		
034959	1	Filter, Engine Oil
034960	1	Filter, Fuel
025280	1	Filter, Main Air
025281	1	Filter, Safety Main Air
013125	1	Filter, Hydraulic Return
025104	1	Filter, Hydraulic, High Pressure
036195	1	Filter, Pre-fuel
005001	2	Oil, Engine, 7.4 litres
005007	1	Grease
034963		
250 Hour Service (Every)*		
034959	1	Filter, Engine Oil
034960	1	Filter, Fuel
025280	1	Filter, Main Air
036195	1	Filter, Pre-fuel
005001	2	Oil, Engine, 7.4 litres
005007	1	Grease
034964		
2000 Hour Service (Every/Annually)**		
034959	1	Filter, Engine Oil
034960	1	Filter, Fuel
025280	1	Filter, Main Air
025281	1	Filter, Safety Main Air
013125	1	Filter, Hydraulic Return
025104	1	Filter, Hydraulic Pressure
020687	1	Filter, Suction
036195	1	Filter, Pre-fuel
005001	2	Oil, Engine, 7.4 litres
005007	1	Grease
034961	1	Belt, Alternator
005005	25	Oil, Hydraulic

Notes:-

* If it is first service or it is the 2000 hour service then this service is not required.

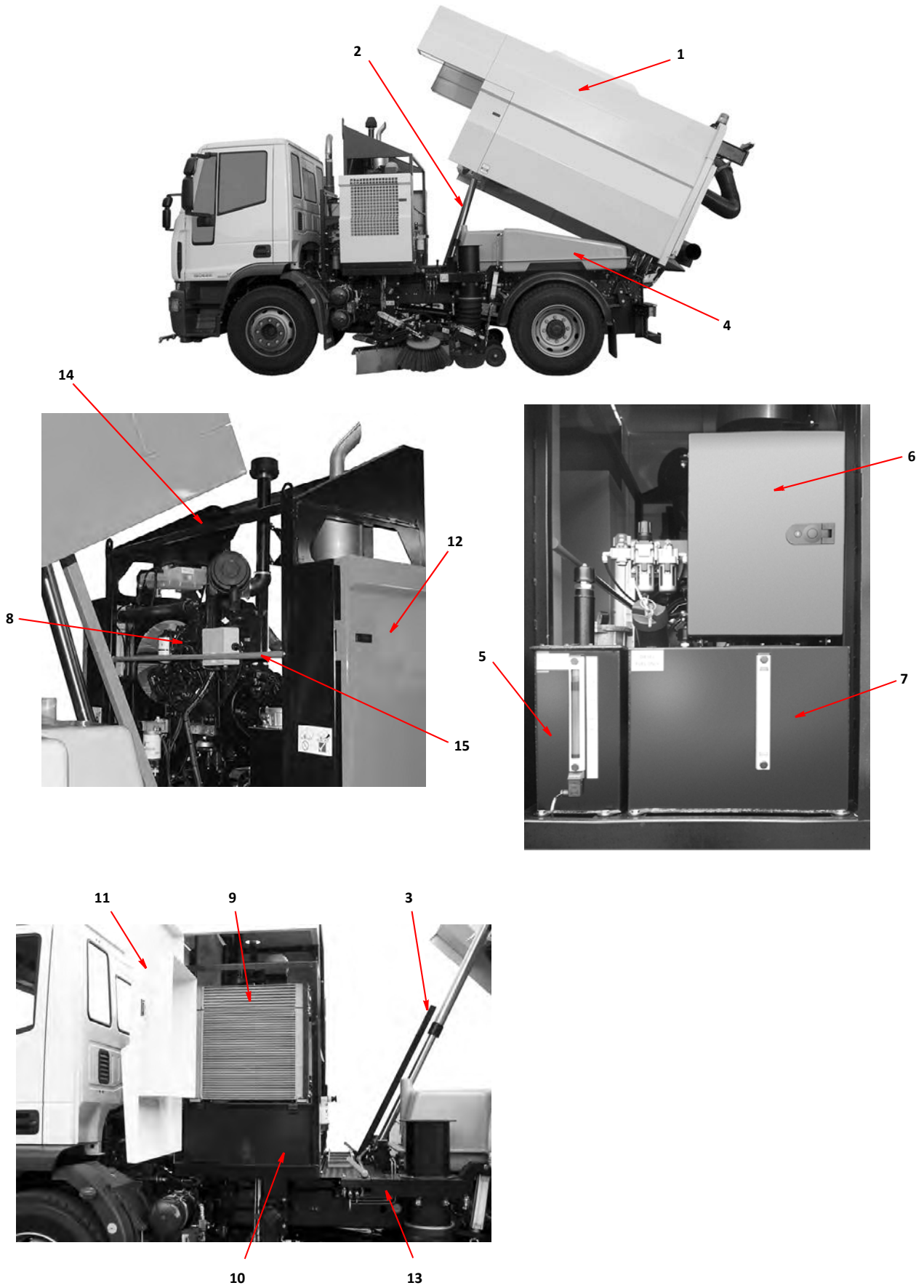
** This service is required every 2000 hours or annually which ever comes first.

SUBFRAME, HOPPER & RELATED EQUIPMENT SECTION C

TABLE OF CONTENTS

<i>Assembly/Description</i>	<i>Page</i>
Hopper and Subframes General Arrangement	1
Manual Hopper Safety Prop and Bypass Valve Controls	3
Hopper General Arrangement	5
Hopper Internal Components	7
Filter Screen Assembly	7
Auto Blanking	9
Deflector Flap Assembly	9
Suction Fan Assembly	11
Rear Door Arrangement	13
Rear Door Ram, Opening and Locking Arrangement	15
Rear Door with Inspection/Cleaning Hatch	17
Rear Door, Door Mounted Wander Hose	19

<i>Item</i>	<i>Part Number</i>	<i>Quantity</i>	<i>Description</i>
Hopper and Subframes General Arrangement			
1	034263	1	Hopper Page C5
2	024249	1	Hopper lifting ram Page F19
3	034373	1	Hopper safety prop Page C3
4	034333	1	Water tank Page E1
5	034328	1	Oil tank, hydraulic Page F3
6	038209	1	Enclosure, (node/pneumatic) Page H3
7	034324	1	Tank, diesel fuel Page B3
8	033194	1	Auxiliary engine Page B1
9	033711	1	Radiator oil/water Page F1
10	034323	1	Enclosure, door (hydraulic valves) Page F5
	033634	1	. Latch, enclosure door
11	034283	1	Door, LH
NI	028583	1	. Hinge, stainless steel
NI	035662	1	. . Latch, door
12	034284	1	Door, RH
NI	028583	1	. Hinge, stainless steel
NI	035662	1	. . Latch, door
13	034264	1	Subframe
14	034282	1	Front subframe
NI	034799	1	. Panel, front
	012969	8	. . Washer, rubber, 40 x 12 x 6
	011092	8	. . . Washer, M8
	011011	6 Setscrew, high tensile, M8 x 25mm
	011073	2 Nut, M8, Nyloc
15	034800	1	. Safety bar
	011010	2	. . Setscrew, M8 x 20mm
	011092	2	. . . Washer, M8

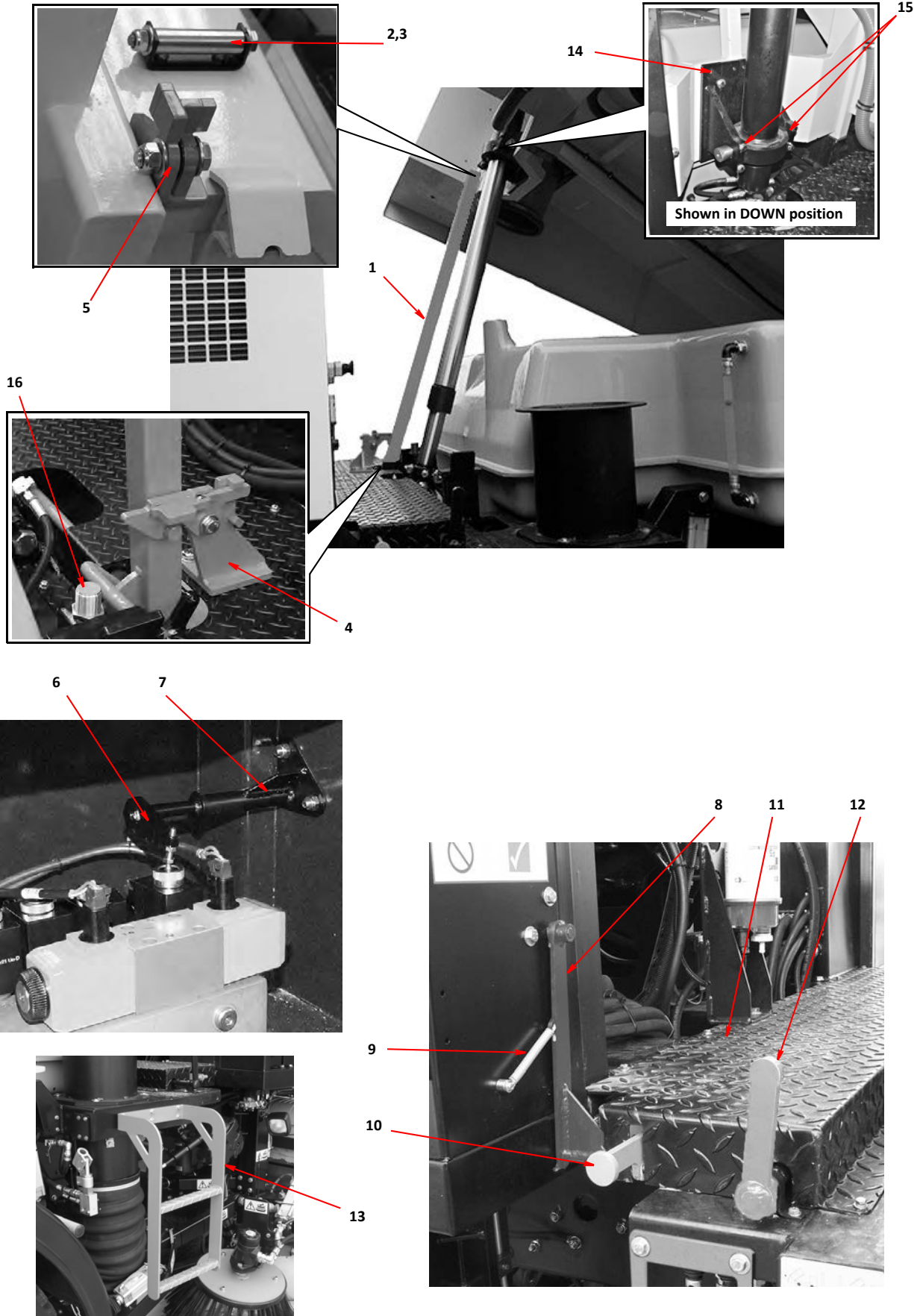


HOPPER AND SUBFRAMES GENERAL ARRANGEMENT

<i>Item</i>	<i>Part Number</i>	<i>Quantity</i>	<i>Description</i>
Manual Hopper Safety Prop and Bypass Valve Controls			
1	034373	1	Hopper safety prop Page C1
NI	036240	1	. Spacer
	011133	1	. Bolt, M16 x 100mm
	011060	1	. Nut, M16, Nyloc
2	034379	1	. Bracket, prop guide
3	011711	1	. Runner, prop guide
	011039	1	. . Bolt, M10 x 100mm
	011075	1	. . Nut, M10, Nyloc
	011067	2	. . Setscrew, M6 x 25mm
	011090	4	. . Washer, M6
	011094	2	. . Nut, M6, Nyloc
4	039557	1	Hopper safety prop catch assembly
	011032	4	. Setscrew, M10 x 30mm
	011094	8	. . Washer M10
	011075	4	. . Nut, M10, Nyloc
5	039560	1	Hopper safety prop catch release assembly
	011032	1	. Setscrew, M10 x 30mm
	011094	2	. . Washer
	011075	1	. . Nut, M10, Nyloc
6	034742*	1	Actuator, bypass valve
	000052	1	. Setscrew, M5 x 16mm
	000054	1	. . Nut, M5
7	035612*	1	. Mounting, bypass valve actuator
	011010	2	. . Setscrew, M8 x 20mm
	011092	4	. . Washer, M8
	011073	2	. . Nut, M8, Nyloc
8	034741*	1	. Link arm, bypass valve
9	020797*	1	. . Spring, link arm
	013344	1	. . . Spacer, spring
	000038	1 Screw, cap head, M6 x 25mm
	011090	1 Washer, M6
	011071	1 Nut, M6
10	034740*	1	Bypass valve push rod
NI	035613*	3	Bypass valve rod runner
	011067	6	. Setscrew, M6 x 20mm
	011090	6	. Washer, M6
11	034380	1	Floor plate
	011087	12	. Setscrew, M6 x 25mm
	011090	12	. Washer, M6
12	034377	1	Safety prop release lever
NI	034378	4	Release lever clamp
	011067	8	. Setscrew, M6 x 20mm
13	034766	1	Access ladder
	011011	6	. Setscrew, M8 x 25mm
	011092	12	. Washer, M8
	011073	6	. Nut, M8, Nyloc
14	010719	1	Ram pivot bracket
	011043	6	. Setscrew, M10 x 70mm
	011094	12	. Washer, M10
	011094	6	. Nut, M10, Nyloc
15	034395	2	Ram pivot retaining bar
	011034	4	. Setscrew, M10 x 40mm
	011095	4	. Spring washer, M10
16	032627	1	Hopper 'RAISED' sensor Page H5

Notes:-

* Part and associated parts not fitted to sweeper with hopper remote control switch box.

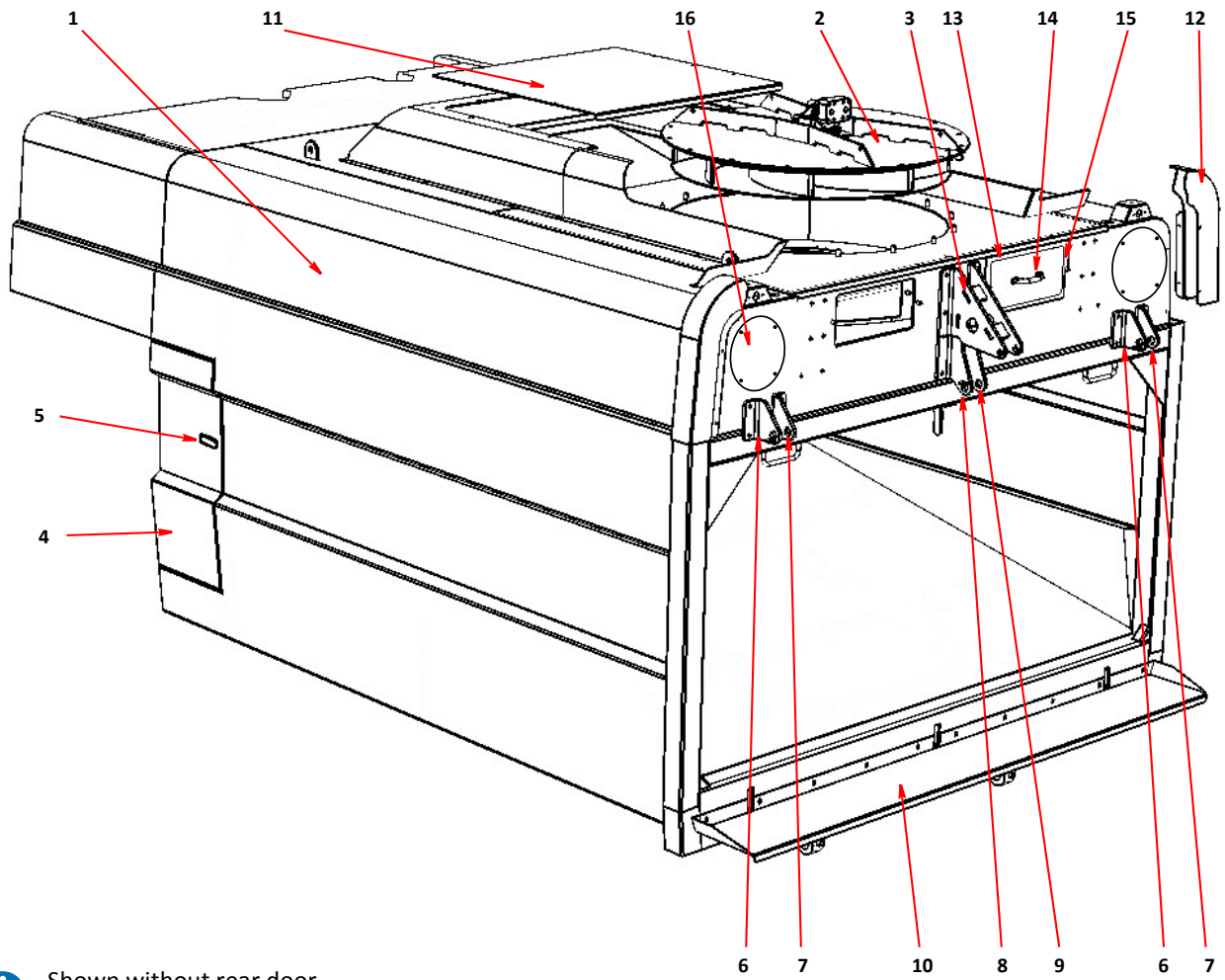


MANUAL HOPPER SAFETY PROP AND BYPASS VALVE CONTROL

<i>Item</i>	<i>Part Number</i>	<i>Quantity</i>	<i>Description</i>
Hopper General Arrangement			
1	034263	1	Hopper Body Page C1
2	025564	1	. Suction fan assembly Page C11
3	034309	1	. Hinge bracket, door ram
	011032	8	. . Setscrew, M10 x 30mm
	011075	8	. . Nut, M10, Nyloc
	011094	16	. . Washer, M10
4	034290	1	. Locker door LH
NI	034291	1	. Locker door RH
NI	034809	4	. . Hinge, locker door
5	035662	2	. . Latch, locker door
6	034310	2	. Door hinge, outer LH
	011032	4	. . Setscrew, M10 x 30mm
	011075	4	. . Nut, M10, Nyloc
	011094	4	. . Washer, M10
7	034311	2	. Door hinge, outer, RH
	011032	4	. . Setscrew, M10 x 30mm
	011075	4	. . Nut, M10, Nyloc
	011094	8	. . Washer, M10
8	035709	1	. Door hinge, centre, LH
	011032	2	. . Setscrew, M10 x 30mm
	011075	2	. . Nut, M10, Nyloc
	011094	4	. . Washer, M10
9	035710	1	. Door hinge, centre, RH
	011032	2	. . Setscrew, M10 x 30mm
	011075	2	. . Nut, M10, Nyloc
	011094	4	. . Washer, M10
10	034337	1	. Chute, discharge
	000257	10	. . Setscrew, M8 x 25mm, stainless steel
	000262	10	. . Nut, M8, Nyloc, stainless steel
	000264	20	. . Washer, M8, stainless steel
11	035797	1	. Cover, hopper
	011001	13	. . Setscrew, M6 x 16mm
	011090	13	. . Washer, M6
12	034729*	1	. Capping, RH
NI	040018*	1	. Capping RH (slotted)
NI	034728*	1	. Capping, LH
NI	040017*	1	. Capping LH (slotted)
13	030728	2	. Inspection cover, outer
14	010502	2	. . Handle
15	000248	4	. . Grip nut with brass insert, M8
16	025486	2	. Cover plate, wander boom attachment Page C13, C17
	000264	8	. . Washer, M8, stainless steel
	000263	8	. . Nut, M8, Nyloc, stainless steel

Notes:-

* Please contact Scarab Part Department regarding these parts.



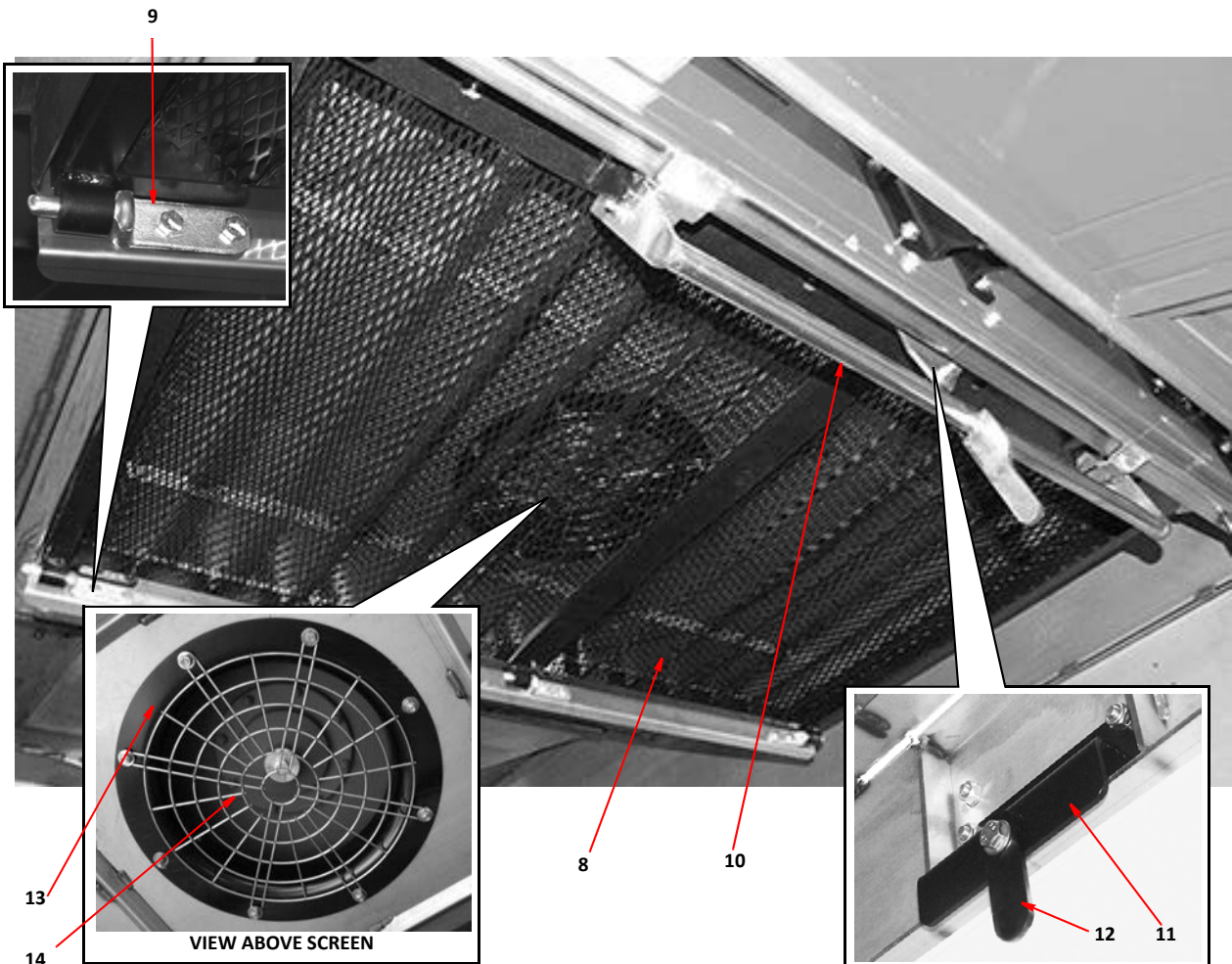
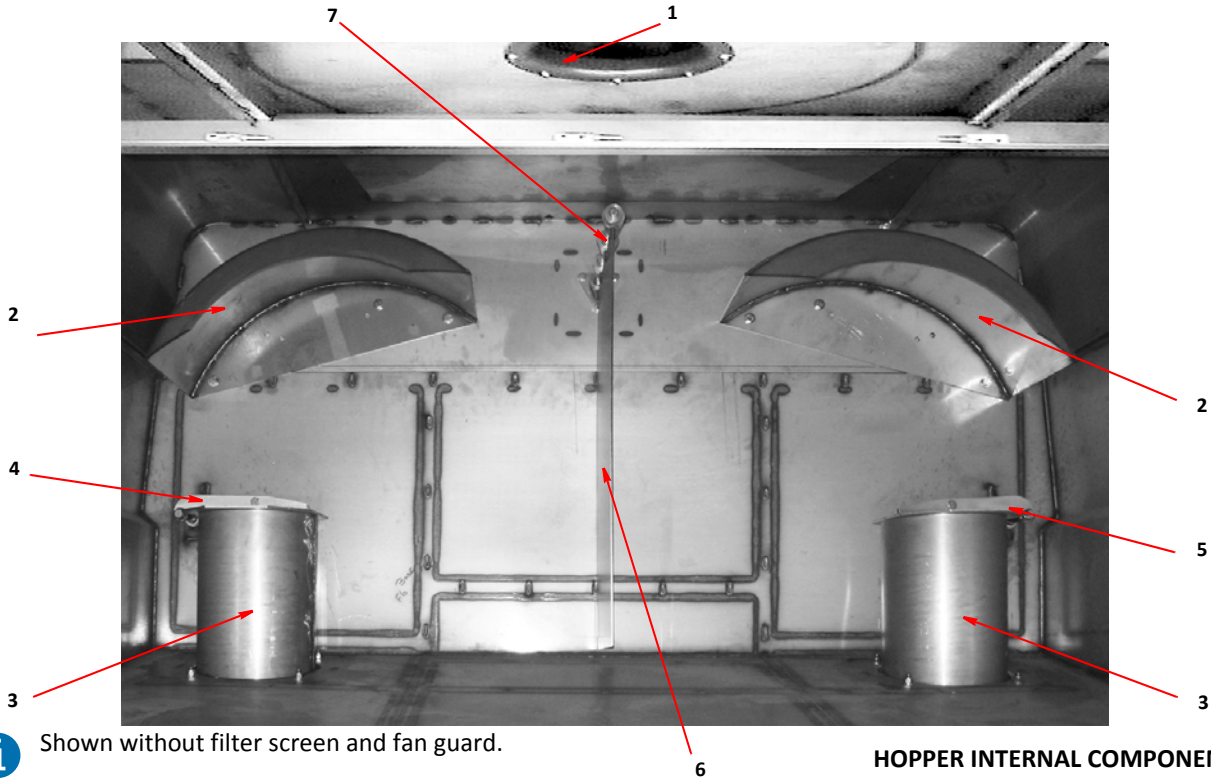
i Shown without rear door.

HOPPER GENERAL ARRANGEMENT

Subframe, Hopper & Related Equipment

<i>Item</i>	<i>Part Number</i>	<i>Quantity</i>	<i>Description</i>
Hopper Internal Components			
1	024790	1	Cone, inlet, suction fan
2	022644	AR	Deflector, universal
2	034718	AR	Deflector, universal, PU coated (option)
	011055	AR	. Bolt, M12 x 65mm
	011051	AR	. Setscrew, M12 x 25mm
	011077	AR	. Nut, M12, Nyloc
3	034367	AR	Deflector tube
3	035280	AR	Deflector tube, PU coated (option)
4	021517	1	Flap arm LH Page C9
5	021518	1	Flap arm RH Page C9
6	031888	1	Deflector flap Page C9
7	030536	1	. Mounting bar, deflector flap
NI	030537	1	. . Washer 40mm OD x10.5mm ID x 5mm
	011095	1	. . . Spring washer, M10
	011031	1	. . . Setscrew, M10 x 25mm
	011032	3	. . Setscrew, M10 x 30mm
	011094	3	. . . Washer, M10
	011075	3 Nut, M10, Nyloc

<i>Item</i>	<i>Part Number</i>	<i>Quantity</i>	<i>Description</i>
Filter Screen Assembly			
8	024668	1	Screen, filter
9	025245	3	. Hinge, points
	000257	6	. . Setscrew, M8 x 25mm, stainless steel
	000263	6	. . Nut, M8, Nyloc
10	039312	1	. Screen handle catch
	000257	4	. . Setscrew, M8 x 25mm, stainless steel
	000263	4	. . Nut, M8, Nyloc, stainless steel
	011092	4	. . Washer, M8
11	028052	1	. Bracket, safety link
12	028053	1	. . Safety link
	000280	1	. . . Setscrew, M10 x 25mm, stainless steel
	011075	1	. . . Nut, M10, Nyloc, stainless steel
	000270	2	. . . Washer, M10, stainless steel
13	024790	1	Cone, inlet, suction fan
14	039674	1	. Fan guard
	000263	8	. Nut, M8, Nyloc, stainless steel
	000264	8	. Washer, M8, stainless steel
NI	034091	1	. Repair ring (requires welding)

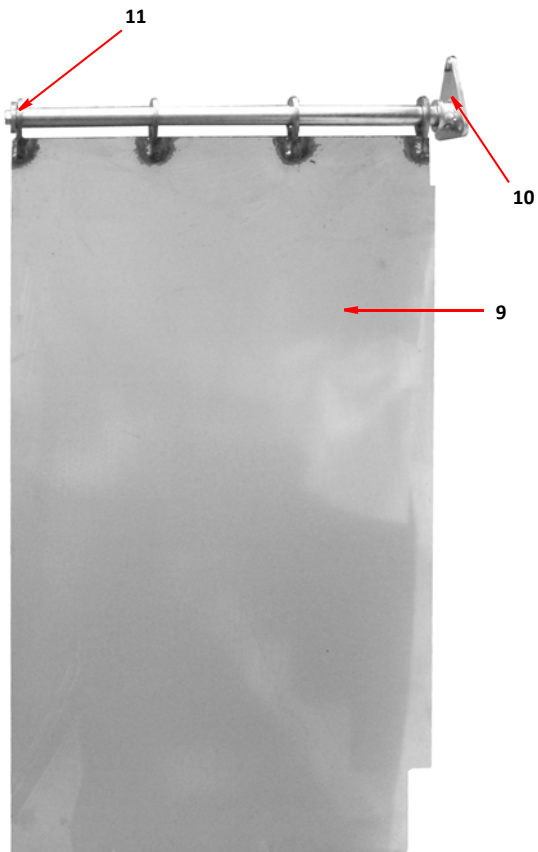
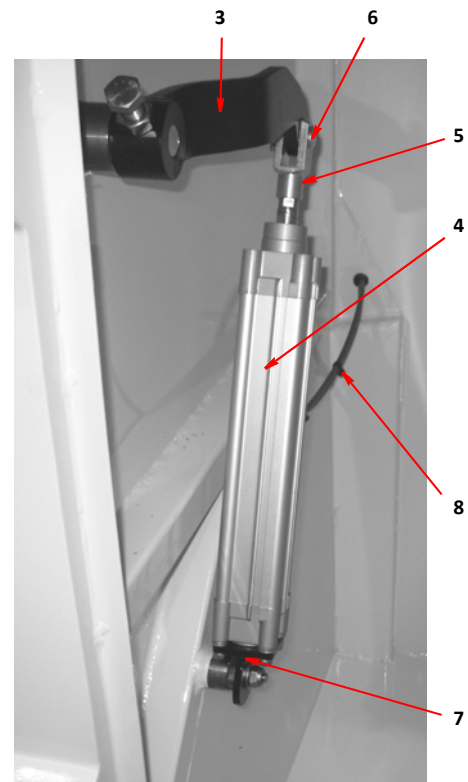
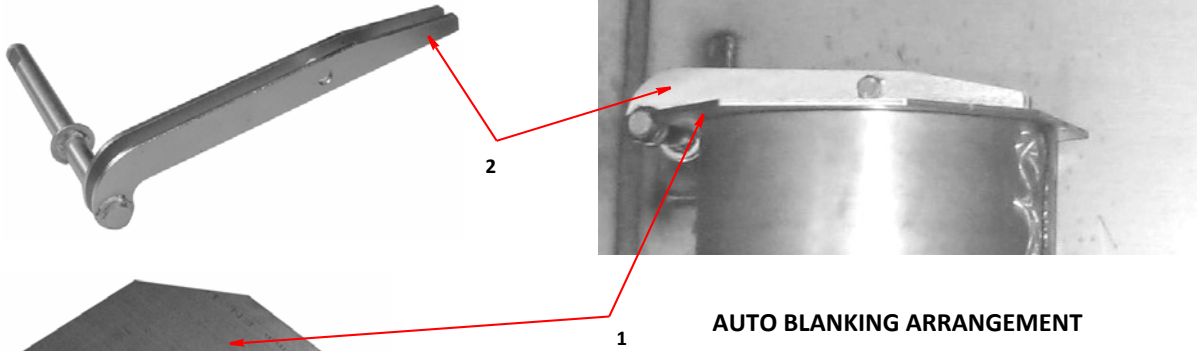


Item	Part Number	Quantity	Description
Auto Blanking - Arrangement (per side)*			
1	021514	1	Flap, blanking
1	034716	1	Flap, blanking, PU coated (option)
2	021517	1	. . Flap arm LH Page C7
NI	021518	1	. . Flap arm RH Page C7
3	034397	2	. . Flap lever, RH
NI	034396	2	. . Flap lever, LH
NI	013488	4	. . Bush
4	021467	2	. . Pneumatic cylinder 40mm x 200mm Page G9
NI	024646	3	. . . Elbow, 6mm x 1/4" BSP
NI	021158	2	. . . Regulator, air flow
NI	021560	2	Seal kit (pneumatic cylinder)
5	014469	2	. . Clevis M12 x 1.25
6	023270	2	. . . Pin, clevis
NI	023269	2	. . . Safety fastener
7	014457	2	. . Bracket, cylinder mounting
8	024650	AR	. Tubing, air, flexible nylon, 6mm Superflex
NI	034860	1	Guard

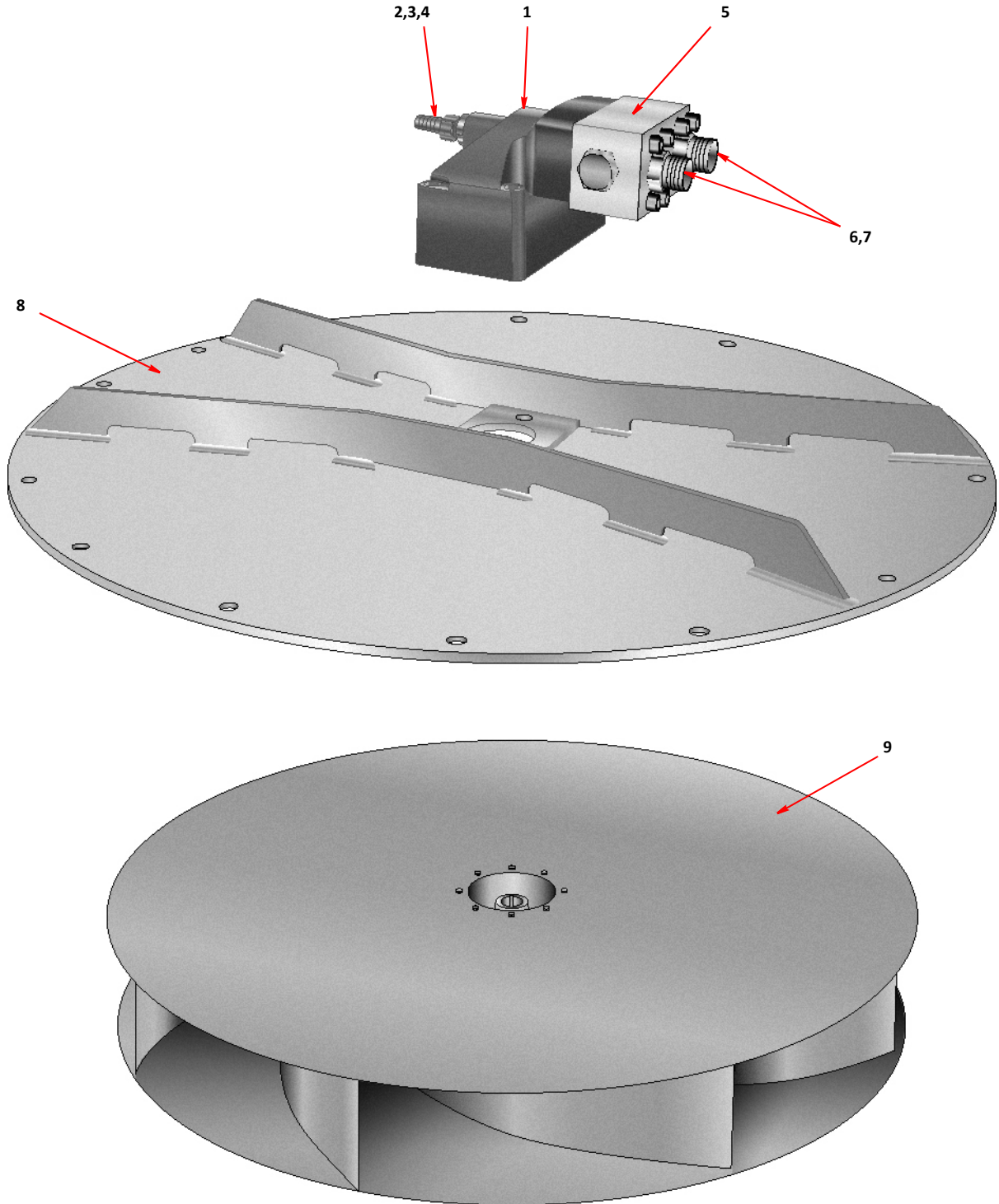


Item	Part Number	Quantity	Description
Deflector Flap Assembly			
9	031888	1	Deflector flap Page C7
9	034723	1	Deflector flap, PU coated (option)
10	030536	1	Mounting Bar
NI	011032	3	. . Setscrew, M10 x 30mm
NI	011075	3	. . Nut, M10, Nyloc
NI	011094	3	. . Washer M10
11	030537	1	. Locking ring
NI	011031	1	. . Setscrew, M10 x 25mm
NI	011095	1	. . Spring washer, M10

Notes:-
* Items listed in this parts list are identical for both LH and RH blanking assemblies, except where identified specifically for one side only.

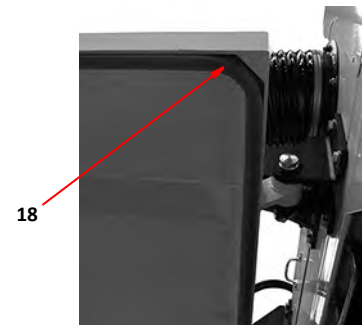
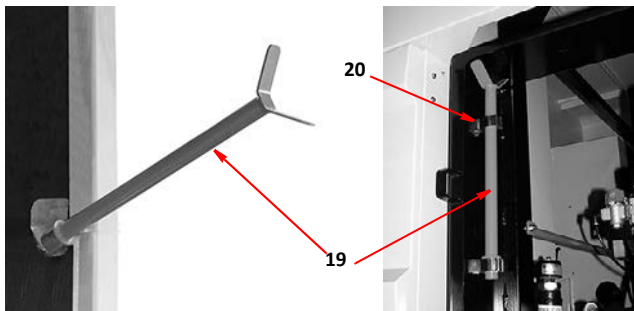
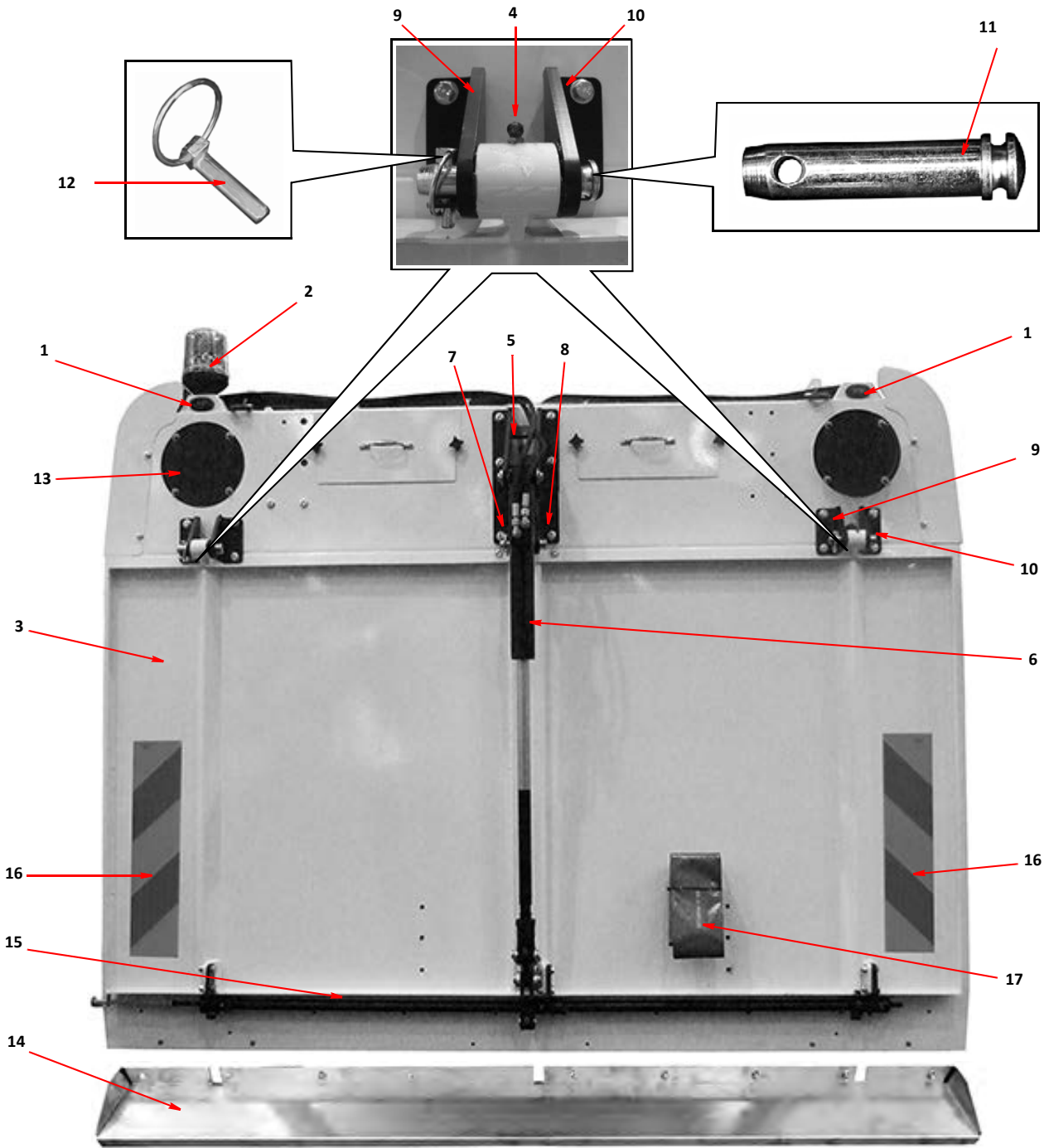


<i>Item</i>	<i>Part Number</i>	<i>Quantity</i>	<i>Description</i>
Suction Fan Assembly			
1	024641	1	. Fan motor assembly Page F15
2	011248	1	. . Adaptor, M/M, M18 x $\frac{3}{8}$ " BSP
3	011247	1	. . Seal, Dowty, M18
4	010921	1	. . Hose tail, $\frac{3}{8}$ " BSP female x $\frac{3}{8}$ " hose
5	035967	1	. . Valve block
	000048	8	. . . Screw, socket cap head, M10 x 80mm
	011095	8	. . . , Washer, spring, M10
6	011151	2	. . . Adaptor, M/M, $\frac{3}{4}$ " BSP
7	011155	2	. . . Seal, Dowty, $\frac{3}{4}$ " BSP
8	024679	1	. Fan Plate
	000343	2	. . Bolt, socket cap head, M14 x 50mm
	011127	2	. . . Nut, M14, Nyloc
	011424	16	. . Washer, M10
	011075	16	. . Nut, M10, Nyloc
9	025241	1	. Impellor
	011052	1	. . Setscrew, M12 x 30mm
	024791	1	. . Cap Washer, Voac Motor
NI	013514	1	. Fan scraper (mounted in side locker)
NI	013631	2	. . Clip, firtree



SUCTION FAN ASSEMBLY

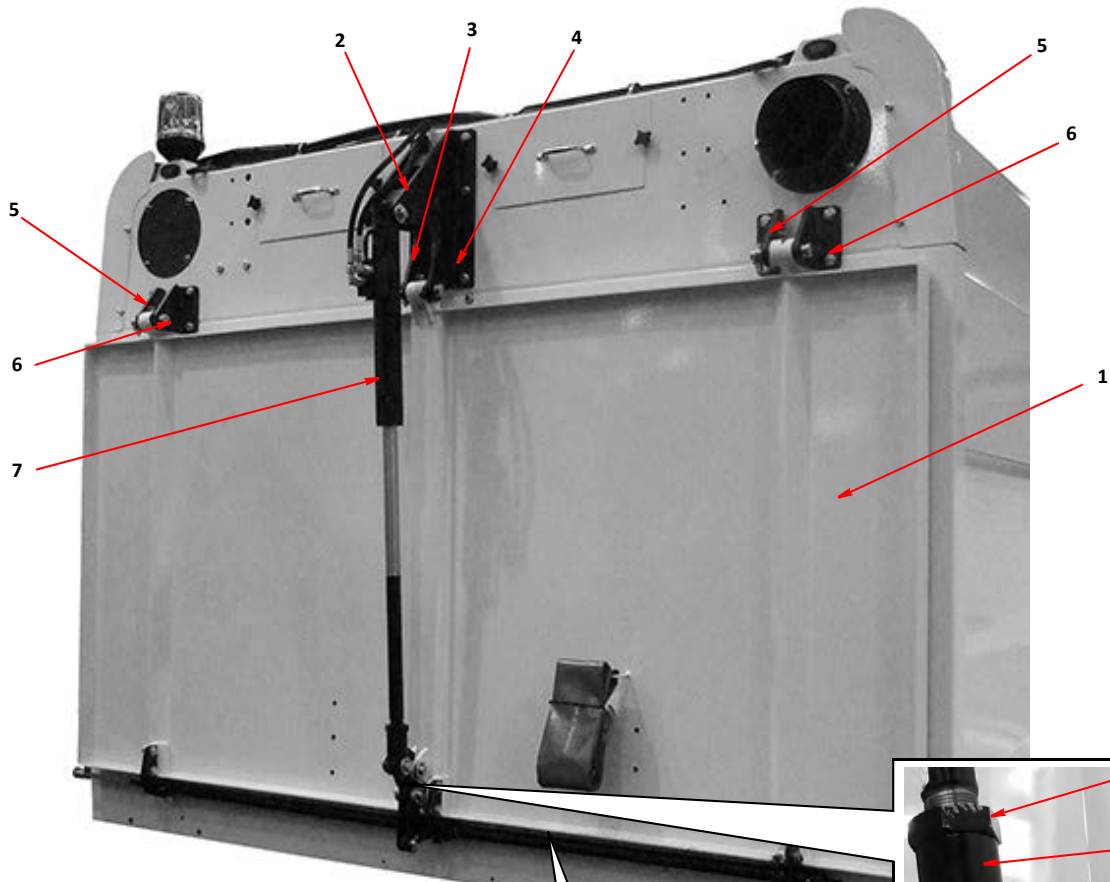
<i>Item</i>	<i>Part Number</i>	<i>Quantity</i>	<i>Description</i>
Rear Door Arrangement			
1	030773	2	Marker light, LED Page H6
2	014064	1	Beacon, 24 Volt Page H6
3	039262	1	Rear door, standard
NI		1	Rear door, with inspection/cleaning hatch Page C17
NI	034298	1	Rear door, for door attached wander hose Page D17
4	010902	3	. Greasing point, 90 degree, $\frac{1}{8}$ BSP
5	034309	1	. Bracket, hinge, rear door hydraulic ram
	011032	4	. . Setscrew, M10 x 30mm
	011074	8	. . Washer, M10
	011075	4	. . Nut, M10, Nyloc
6	034816	1	. Ram, hydraulic Page F19
7	035709	1	. Centre door hinge, LH
	011032	2	. . Setscrew, M10 x 30mm
	011074	4	. . Washer, M10
	011075	2	. . Nut, M10, Nyloc
8	035710	1	. Centre door hinge, RH
	011032	2	. . Setscrew, M10 x 30mm
	011074	4	. . Washer, M10
	011075	2	. . Nut, M10, Nyloc
9	034310	2	. Bracket, hinge LH
	011032	4	. . Setscrew, M10 x 30mm
	011074	8	. . Washer, M10
	011075	4	. . Nut, M10, Nyloc
10	034311	2	. Bracket, hinge RH
	011032	4	. . Setscrew, M10 x 30mm
	011074	8	. . Washer, M10
	011075	4	. . Nut, M10, Nyloc
11	013051	3	. Hinge pin
12	013053	3	. . Linch pin
13	025486	2	Cover plate, wander boom attachment Page C5, C17
	000264	8	. Washer, M8, stainless steel
	000263	8	. Nut, M8, Nyloc, stainless steel
14	034337	1	Chute, discharge
NI	035285	AR	. Spacer, discharge chute
15	034317	1	. Locking assembly, rear door Page C15
16	022389	2	. Marker plate
17	010998	AR	. Hose, layflat
NI	012931	1	. . Clamp, worm drive, 70-90mm
NI	030481	1	. Seal
NI			Rear wander boom arrangement Page D15
18	030806	1	Door seal
19	039683	1	Safety prop, hopper rear door
20	014806	2	. Clip, stowage, safety prop, hopper rear door



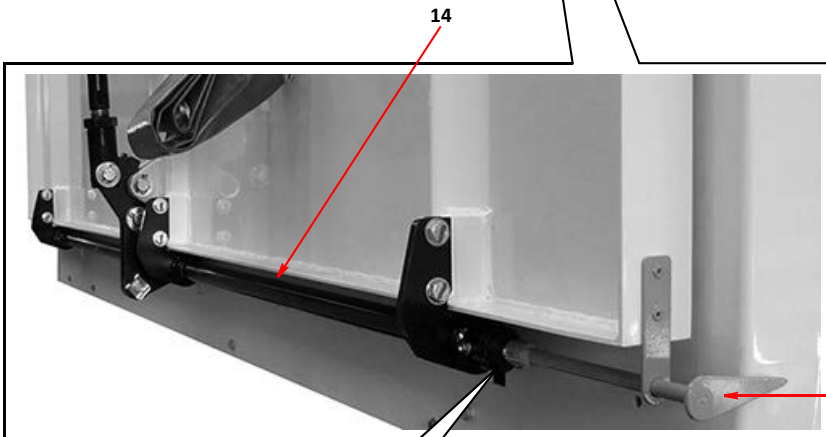
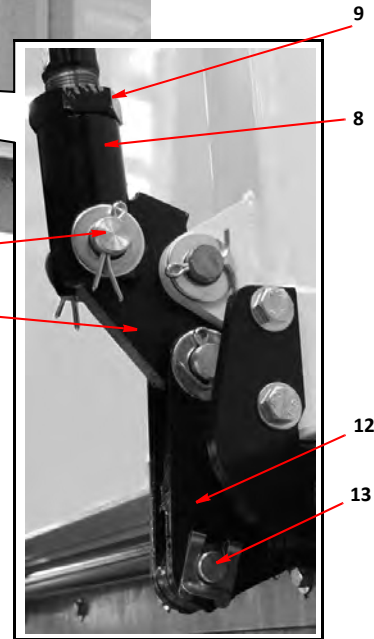
i Rear door shown without optional rear wander boom or optional rear inspection/cleaning hatch.

REAR DOOR & HOPPER ARRANGEMENT

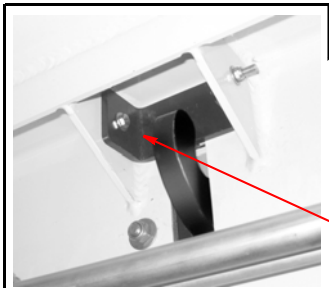
<i>Item</i>	<i>Part Number</i>	<i>Quantity</i>	<i>Description</i>
Rear Door Ram, Opening and Locking Arrangement			
1	039262	1	Rear door, standard
2	034309	1	Bracket, rear door hydraulic ram hinge
	011032	4	. Setscrew, M10 x 30mm
	011074	8	. Washer, M10
	011075	4	. Nut, M10, Nyloc
3	035709	1	Bracket, door hinge, centre. LH
	011032	2	. Setscrew, M10 x 30mm
	011074	4	. Washer, M10
	011075	2	. Nut, M10, Nyloc
4	035710	1	Bracket, door hinge, centre, RH
	011032	2	. Setscrew, M10 x 30mm
	011074	4	. Washer, M10
	011075	2	. Nut, M10, Nyloc
5	034310	2	. Bracket, door hinge, LH
	011032	4	. Setscrew, M10 x 30mm
	011074	8	. Washer, M10
	011075	4	. Nut, M10, Nyloc
6	034311	2	Bracket, door hinge, RH
	011032	4	. Setscrew, M10 x 30mm
	011074	8	. Washer, M10
	011075	4	. Nut, M10, Nyloc
NI	013051	3	. Hinge pin
NI	013053	3	. Linch pin
7	034816	1	Ram, hydraulic, rear door Page F19
8	042284	1	. Clevis, door ram
9	042285	1	. Clevis nut, door ram
10	034314	1	. . Locking cam
11	014038	3	. . . Pin $\varnothing 20 \times 70\text{mm}$
	011102	AR Washer M20
	011122	6 Split pin $\frac{3}{16}'' \times 1\frac{1}{2}''$
12	034315	2	. . Push link
13	022673	1	. . . Clevis pin (turned)
	022674	1 Clip retaining
14	034317	1	Locking bar assembly Page C13
15	035654	1	. Locking flag
16	034322	3	. Wear plate
			Wander boom, rear door mounted arrangement Page D17



i Rear door shown without optional rear wander boom or optional rear inspection/cleaning hatch.

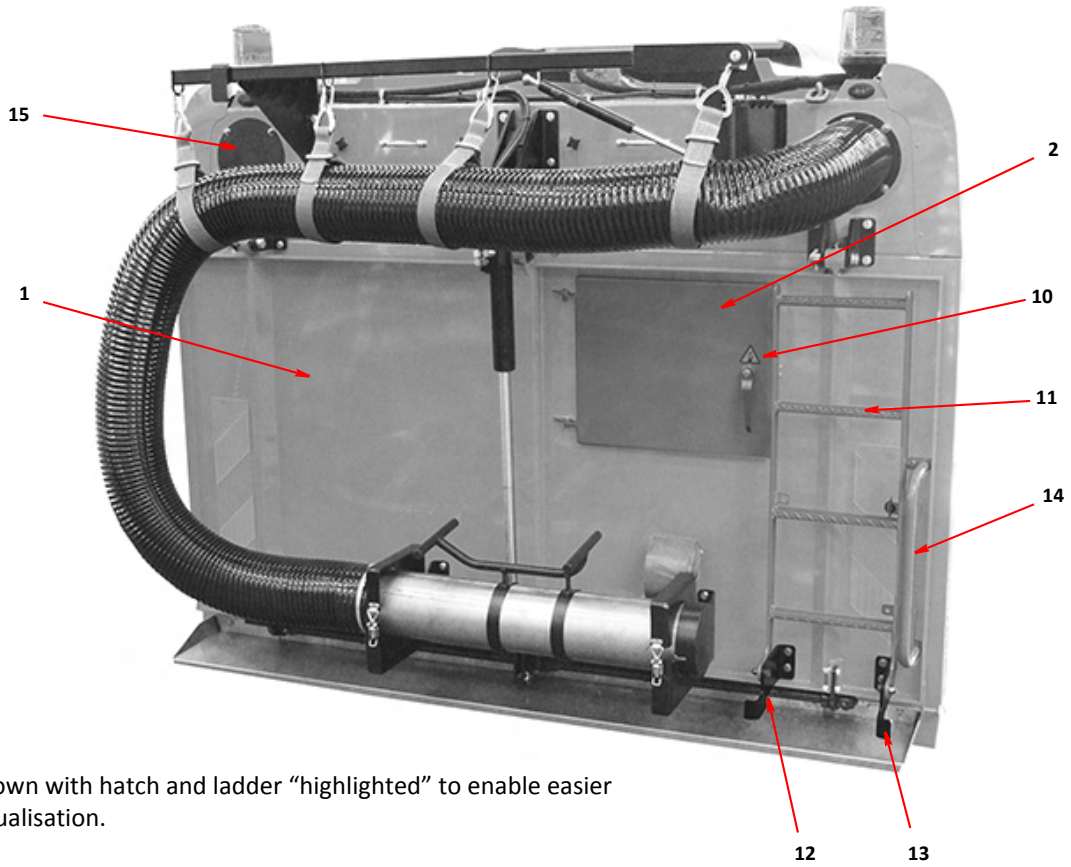


i Locking flag can be on either end of the locking bar assembly.

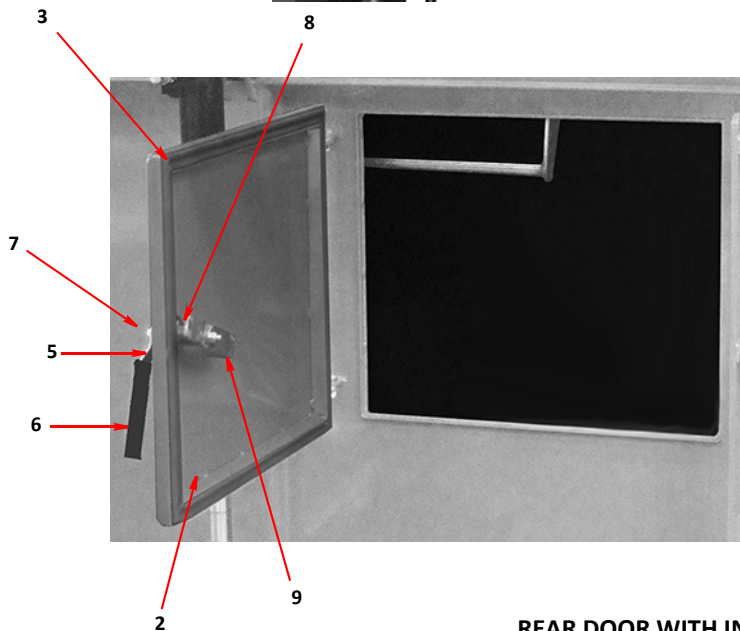
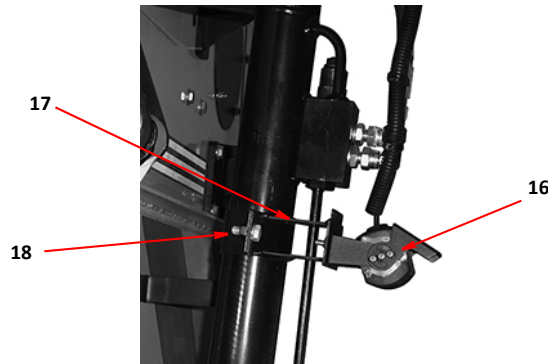


REAR DOOR RAM, OPENING AND LOCKING ARRANGEMENT

<i>Item</i>	<i>Part Number</i>	<i>Quantity</i>	<i>Description</i>
Rear Door with Inspection/Cleaning Hatch			
1	039263	1	Rear door, with RH inspection/cleaning hatch Page C13
NI	039311	1	Rear door, with LH inspection/cleaning hatch Page C13
2	036363	1	. Door, inspection/cleaning hatch
3	013599	1	. . Seal, inspection/cleaning hatch
NI	027932	1	. Striker, inspection/cleaning hatch (on inside of rear door)
5	027933	1	. Handle, inspection/cleaning hatch
6	040032	1	. . Sleeve, door handle
7	027934	1	. Spindle, catch, inspection/cleaning hatch
8	027935	1	. Bearing, catch, inspection/cleaning hatch
9	040033	1	. Catch, with stop, RH inspection/cleaning hatch
NI	040034	1	. Catch, with stop, LH inspection/cleaning hatch
	027937	1	. Back nut, $\frac{3}{4}$ " BSP
10	039550	1	. Label, Warning, Debris warning Page J1
11	039284	1	Ladder, rear door
	000278	2	. Setscrew, M12 x 40mm, stainless steel
	000277	6	. Washer, M12, stainless steel
	000275	2	. . Nut, M12, Nyloc, stainless steel
12	039285	1	. Hinge, ladder, LH
NI	040133	1	. Plate, load spreader
	011034	2	. Setscrew, M10 x 40mm
	011094	4	. . Washer, M10 I
	011075	2	. . Nut, M10, Nyloc
13	039286	1	. Hinge, ladder, RH
NI	040133	1	. Plate, load spreader
	011034	2	. Setscrew, M10 x 40mm,
	011094	4	. . Washer, M10
	011075	2	. . Nut, M10, Nyloc
14	039287	1	Handle, grab, rear ladder
	011034	2	. Setscrew, M10 x 40mm
	011094	4	. . Washer, M10
	011075	2	. . Nut, M10, Nyloc
NI	013702	1	. Antiluce
15	025486	1	. Cover plate, wander boom attachment Page C5, C13
	000264	4	. . Washer, M8, stainless steel
	000263	4	. . Nut, M8, Nyloc, stainless steel
16	040354	1	Rear camera Page H6
	000444	2	. Screw, socket cap head, M5 x 12mm
NI	038193	2	. . Insulated spacer
17	040676	1	. Mount, rear camera
18	040677	1	. Mount clamp, rear camera
	011010	2	. . Setscrew, M8 x 20mm
NI	040353	1	. Loom, power supply, rear camera Page A3, H5
NI	040355	1	. Loom, rear camera Page A3, H5
			Rear wander boom arrangement Page D15
NI	039866	1	Label, Warning, Ladder stowage, on rear door Page J1



i Shown with hatch and ladder “highlighted” to enable easier visualisation.

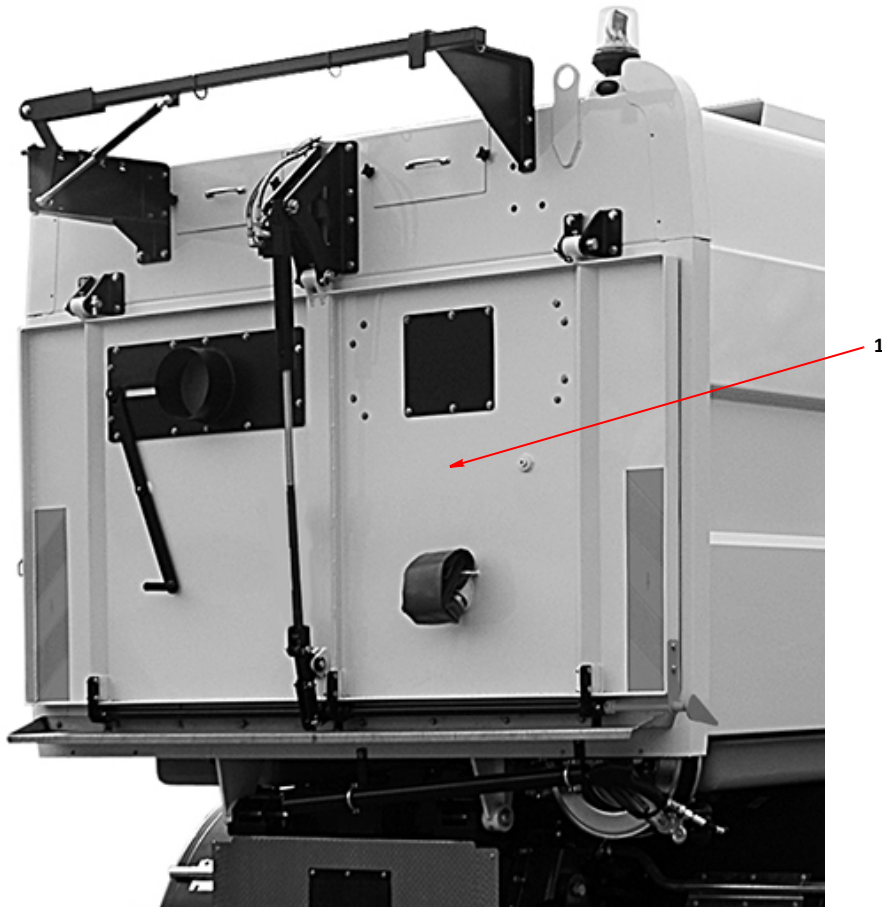


REAR DOOR WITH INSPECTION/CLEANING HATCH

<i>Item</i>	<i>Part Number</i>	<i>Quantity</i>	<i>Description</i>
1	034298*	1	Rear Door, Door Mounted Wander Hose Rear door, for door mounted wander hose Page D17 Wander boom, rear door mounted arrangement Page D17

Notes:-

* The door mounted rear wander hose arrangement has been superseded by the hopper mounted rear wander hose. See Page C17 and Page D15.



i Rear door for rear door mounted wander hose shown for reference purposes and shown without rear wander hose to aid clarity.

REAR DOOR, DOOR MOUNTED WANDER HOSE

SWEEPING AND SUCTION SECTION D

TABLE OF CONTENTS

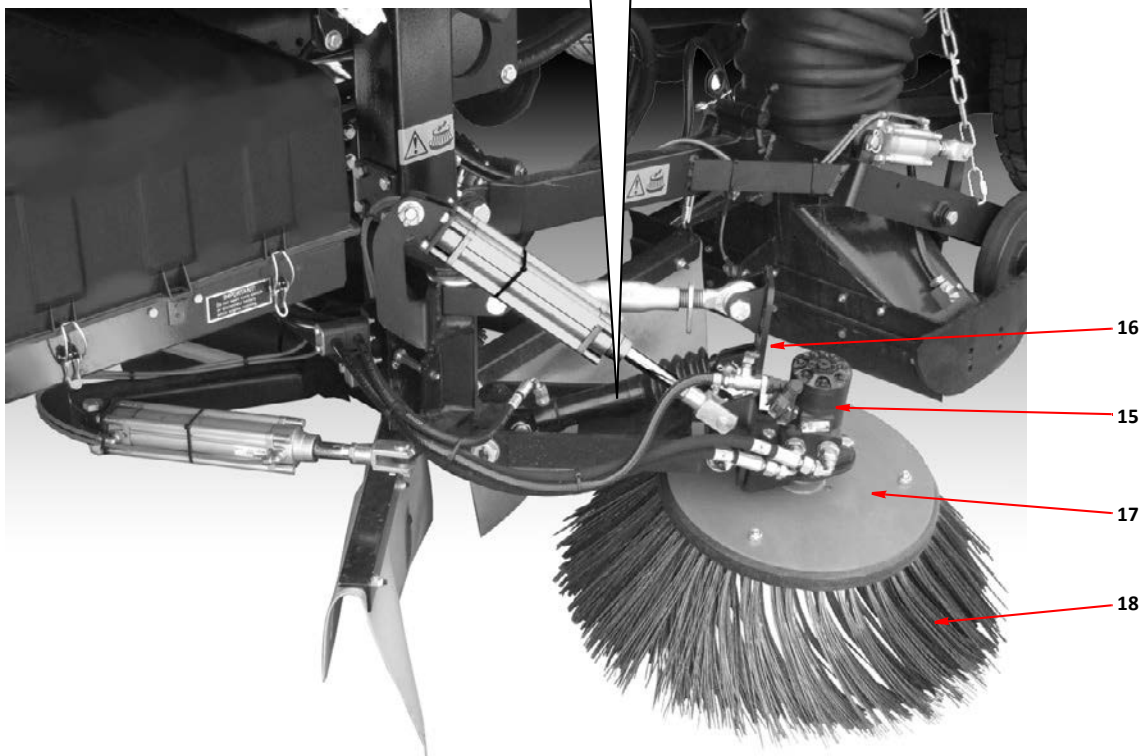
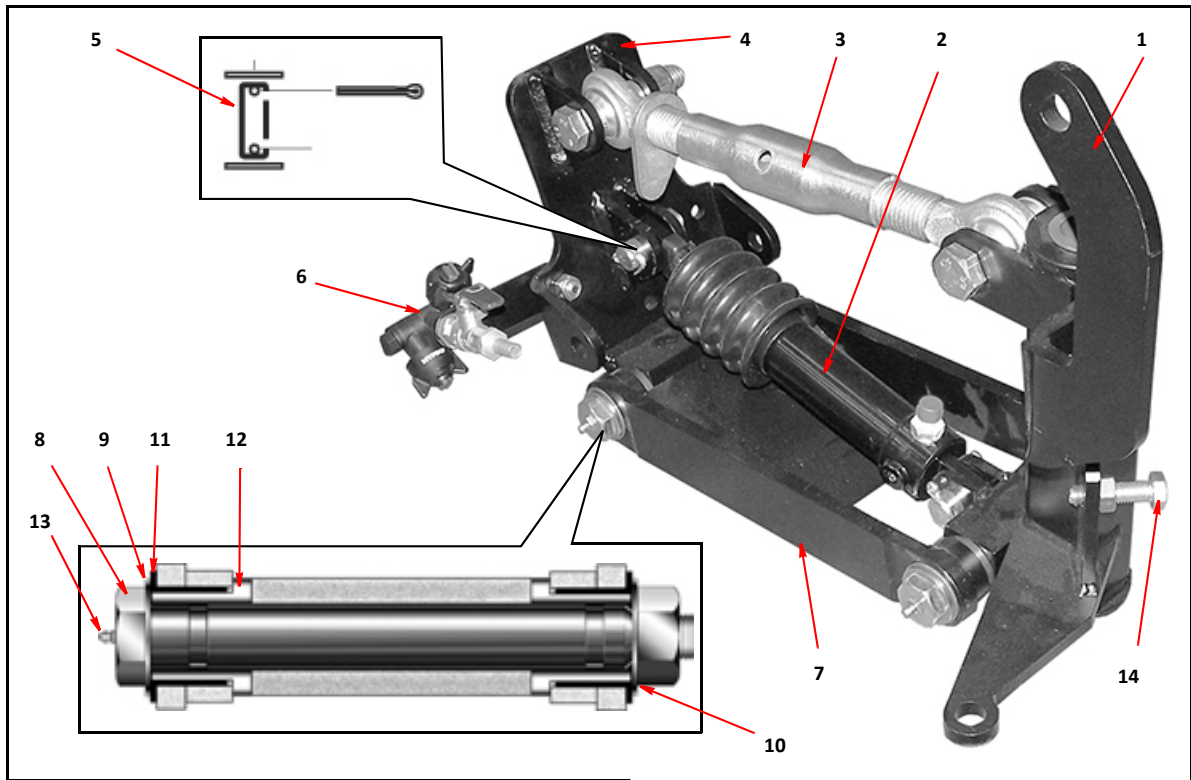
<i>Assembly/Description</i>	<i>Page</i>
Side Brush Lift Arrangement	1
Side Brush Swing Out	3
Side Brush Pressure Arrangement	3
Wide Sweep Assembly	5
Wide Sweep Bearing Assembly	7
Wide Sweep Slewing Arrangement	7
Tilting Suction Nozzle Assembly	9
Suction Spigot	11
Suction Nozzle Raise/Lower Arrangement	11
Associated Sweeping Equipment - Brushes and Skirts	13
Rear Wander Boom Arrangement	15
Rear Door Wander Boom Arrangement	17
Rear Door Wander Boom Blanking Arrangement	19

<i>Item</i>	<i>Part Number</i>	<i>Quantity</i>	<i>Description</i>
Side Brush Lift Arrangement			
1	023124	1	. Kingpost, RH
NI	023120	1	. Kingpost, LH
2	024539	1	. . Ram, hydraulic (raise/lower) Page F19
3	013011	1	. . Link, top (turnbuckle)
	011140	2	. . . Bolt, M18 x 90mm
	011138	2	. . . Washer, M18
	011139	2	. . . Nut, M18, Nyloc
4	023121	1	. . Plate, Swivel
5	010067	2	. . . Pin, Ram Pivot, Ø20mm x 50mm
	011103	2 Washer, M20
	011122	2	. . . Pin, split, cotter, $\frac{3}{16}$ " x $1\frac{1}{2}$ "
6		1	. . Brush spray nozzle assembly Page E19
7	014801	1	. . Link, lower
8	014796*	2	. . . Bolt, pivot, M16 (special with greasing point)
9	014798*	2	. . . Washer, 24 x 40 x 3mm
10	014797*	2	. . . Washer, 17 x 40 x 3mm
	011060*	2	. . . Nut, M16, Nyloc
11	013012*	4	. . . Bush, plastic
12	014799*	4	. . . Sleeve, spacer
13	010903	2	. . . Greasing point, straight, $\frac{1}{8}$ " BSP
14	011055	1	. . . Bolt, M12 x 60mm
	011076	1	. . . Nut, M12
15	010749	1	. . . Motor, hydraulic Page F17
16	023121	1	. . . Plate, motor swivel
	011075	2 Nut, M10, Nyloc
17	014067	1 Hub, side brush, 3 holes
NI	040058**	1 Spacer, brush hub
	040197	1 Washer, safety, Schnorr
	011012	1 Screw, M8 x 30mm
18	023473	1 Side brush, Ø400mm, 3 stud (steel) Page D13
NI	020921	1 Side brush, Ø400mm, 3 stud (weed ripping) Page D13
NI	025744	1 Side brush, Ø400mm, 3 stud (poly) Page D13

Notes:-

* These items comprise the lower link bush kit 024611

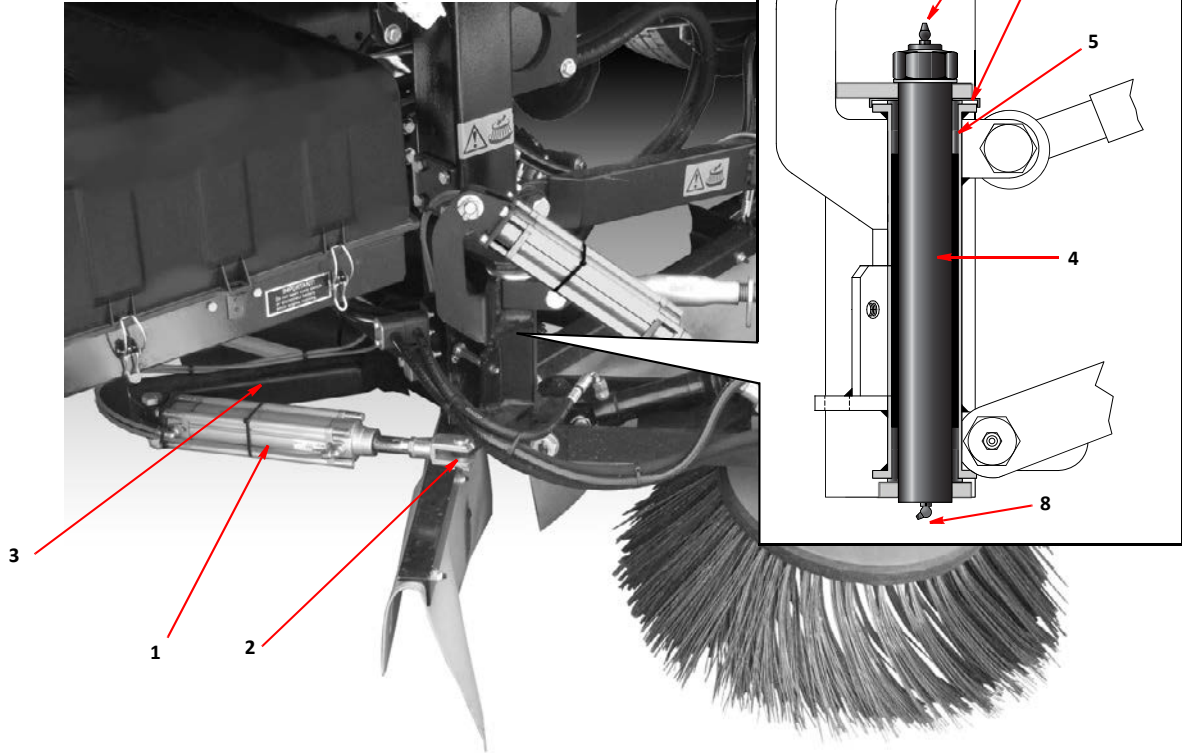
** This part is required if the drive motor is manufactured by Eaton, please contact Scarab Parts Department.



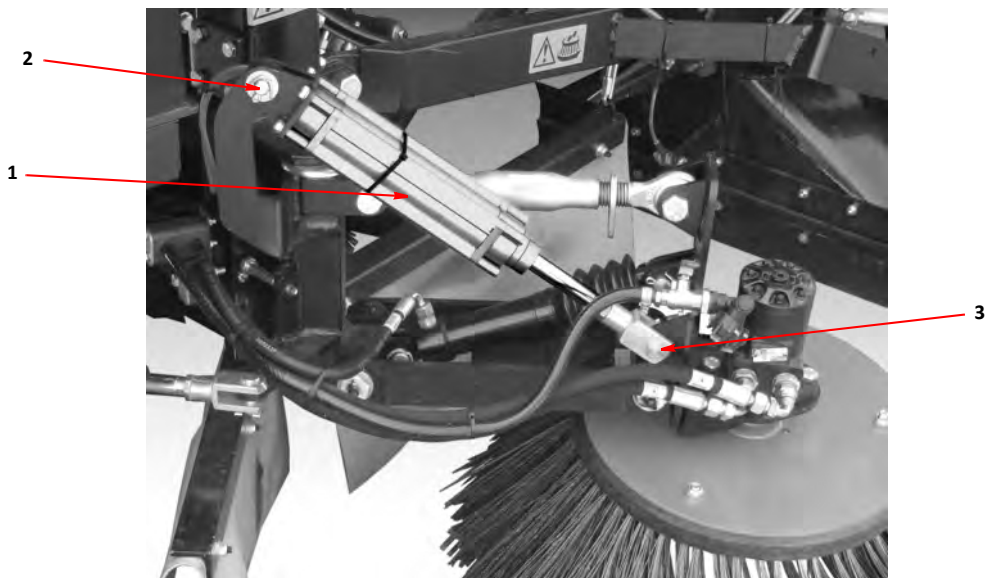
SIDE BRUSH LIFT ARRANGEMENT

<i>Item</i>	<i>Part Number</i>	<i>Quantity</i>	<i>Description</i>
Side Brush Swing Out			
1	020298	1	Cylinder, pneumatic, swing in/out, 50mm x 160mm Page G9
	011260	1	. Bolt, M14 x 70mm
	011127	1	. Nut, M14, Nyloc
2	022673	1	. Pin, clevis
	022674	1	. Pin, clevis, retainer
3	021520	1	Bracket, swing out cylinder, RH
NI	021519	1	Bracket, swing out cylinder, LH
	011407	2	. Bolt, M10 x 120mm
	011077	2	. Nut, M10, Nyloc
4	013007	1	. Kingpin
	011102	1	. . Washer, M20
	011082	1	. . Nut, M20 Nyloc
5	013012	2	. . Bush, plastic
6	013013	1	. . Cap
7	010903	3	. . Greasing point, straight, $\frac{1}{8}$ " BSP
8	010901	1	. . Greasing point, 45°, $\frac{1}{8}$ " BSP

<i>Item</i>	<i>Part Number</i>	<i>Quantity</i>	<i>Description</i>
Side Brush Pressure Arrangement - (option)			
1	020298	1	Cylinder, pneumatic, brush pressure, 50mm x 160mm Page G9
2	023123	1	. Pin, cylinder retaining
	011135	2	. Washer, M16
	011122	2	. Pin, split, $\phi_{16}^{3/16}$ x $1\frac{1}{2}$ "
3	022673	1	. Pin, clevis



SIDE BRUSH SWING OUT ARRANGEMENT

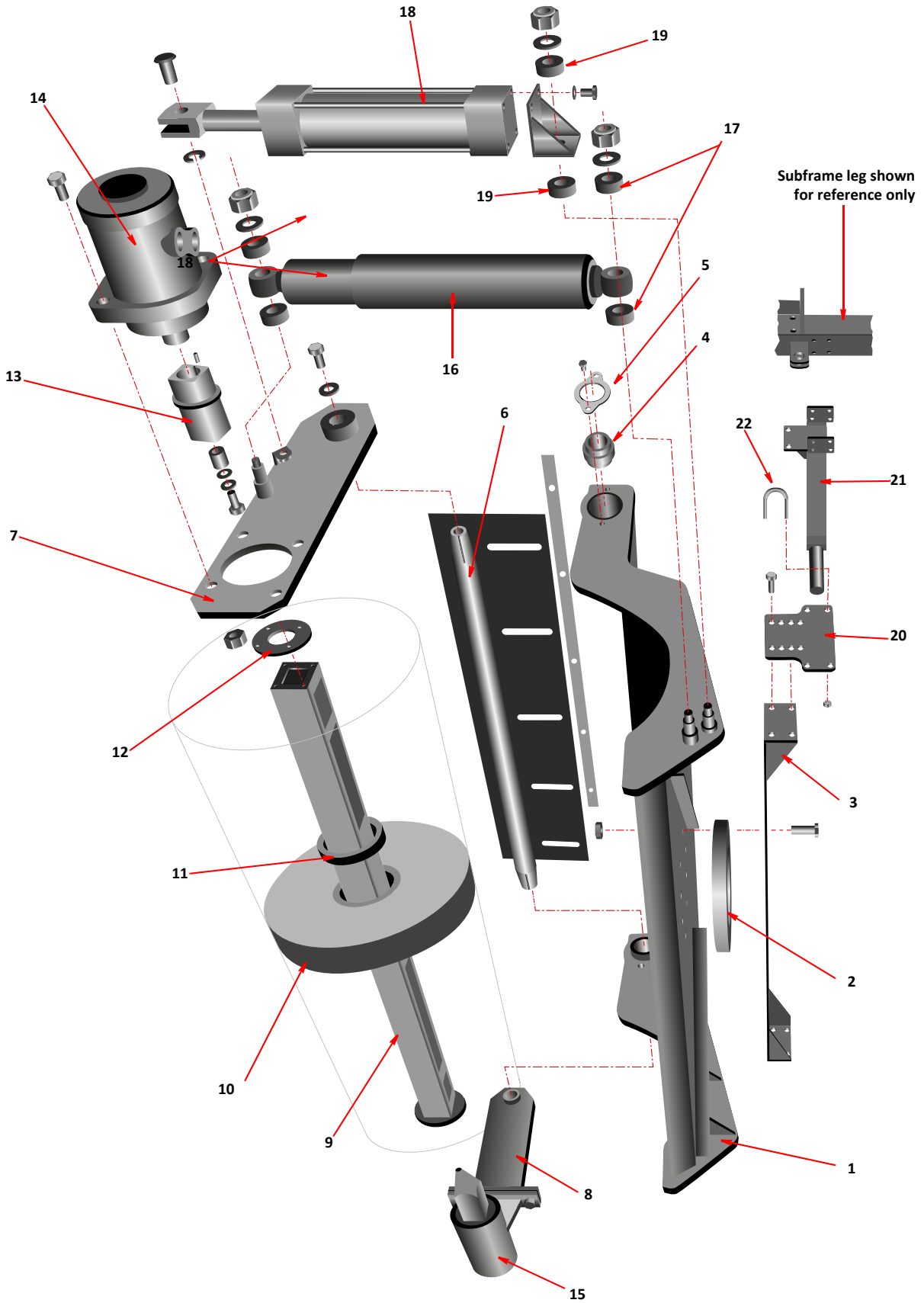


SIDE BRUSH PRESSURE ASSEMBLY

Item	Part Number	Quantity	Description
Wide Sweep Assembly			
1	036216	1	Cover, wide sweep, standard Page D7
2	020919	1	. Ring, adaptor, fixed slew
	011031	8	. . Setscrew, M10 x 25mm
	011095	8	. . Spring washer, M10
3	024155	1	. Support, wide sweep
	011031	8	. . Setscrew, M10 x 25mm
	011095	8	. . Spring washer, M10
4	036789	2	. Spherical bearing, wide sweep pivot
5	037172	2	. . Bearing retaining plate
	011010	4	. . . Setscrew, M8 x 20mm
	010903	2	. Greasing point, straight, $\frac{1}{8}$ " BSP
NI	040301	2	. . Extension, greasing point, $\frac{1}{8}$ " BSP
NI	020729*	2	. Bush, plastic, wide sweep pivot
6	023080	1	. . Shaft, tapered, wide sweep pivot
	013439	2	. . . Washer, special, 50 x 16.5 x 5
	011141	2	. . . Setscrew, M16 x 35mm
NI	013292	2	. . . Key
7	023077	1	. . Plate, motor, LH
8	023078	1	. . Plate, bearing housing, RH
9	013646**	1	. . Brush core, wide sweep
10	023474**	35	. . . Brush element, \varnothing 400mm, poly Page D13
11	023472**	33	. . . Spacer, brush core
12	013649**	1	. . End Cap, brush core
	011417**	4	. . . Screw, socket countersunk, $\frac{3}{8}$ " UNC x 1"
13	024535	1	. . Shaft, drive
	011012	1 Setscrew, M8 x 30mm
	011093	1 Spring washer, M8
	038106	1 Spacer
	024538	1 Washer, cone, special
	011515	1 Key
NI	040058***	1 Spacer
14	010566	1	. . Motor, hydraulic, OMP 100 Page F17
	011053	2	. . . Setscrew, M12 x 35mm
	011077	2	. . . Nut, M12, Nyloc
15	024224	1	. . Bearing assembly, wide sweep Page D7
	011053	2	. . . Setscrew, M12 x 35mm
	011077	2	. . . Nut, M12, Nyloc
16	014063	2	. Shock Absorber
	011075	4	. . Nut, M10, Nyloc
	011096	4	. . Washer, M12
17	011000	8	. . Spacer, rubber, $\frac{5}{8}$ " bore x $\frac{1}{2}$ " long
18	020602	2	. Cylinder, pneumatic, wide sweep raise/lower Page G5
	011075	2	. . Nut, M10, Nyloc
	011094	2	. . Washer, M10
19	011000	4	. . Spacer, rubber, $\frac{5}{8}$ " bore x $\frac{1}{2}$ " long
20	034336	2	. Drop Plate
21	034334	1	. Wide sweep Adjuster Bar LH
N1	034335	1	. Wide sweep Adjuster Bar RH
22	023148	4	. . U Clamp
	000041	8	. . Bolt, M10 x 140mm
	000075	4	. . Bolt, M10 x 130mm
	011094	24	. . Washer, M10
	011075	20	. . Nut, M10, Nyloc

Notes:-

- * Only used on wide sweep covers without the spherical bearing.
- ** These items comprise the Wide Sweep Brush assembly 037588
- *** This part is required if the drive motor is manufactured by Eaton, please contact Scarab Parts Department.



Subframe leg shown
for reference only



Right hand shock absorber and pneumatic ram omitted to aid clarity.

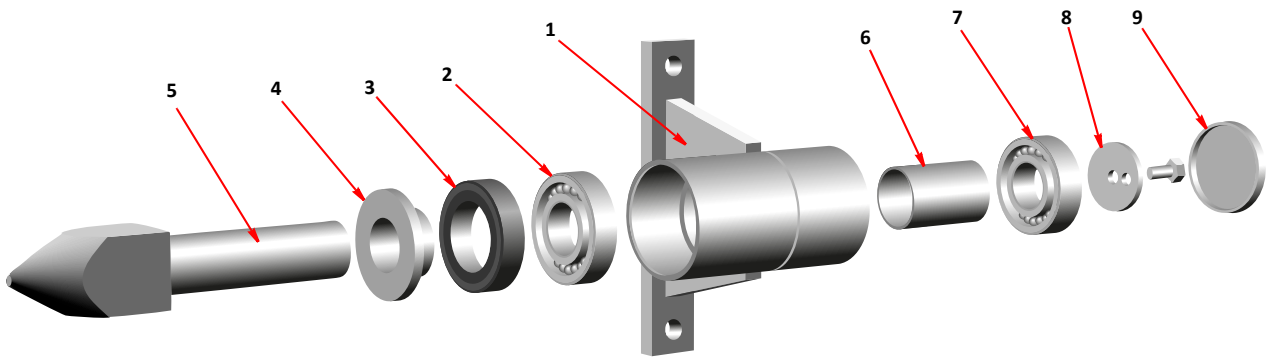
WIDE SWEEP ASSEMBLY

<i>Item</i>	<i>Part Number</i>	<i>Quantity</i>	<i>Description</i>
			Wide Sweep Bearing Assembly
	024224	1	Bearing assembly complete Page D5
1	024219	1	. Housing, bearing assembly
2	010578	1	. . Bearing, ball race
3	024220	1	. . . Oil seal
4	024221	1	. . Spacer
5	024223	1	. Shaft
6	024531	1	. . Spacer
7	010578	1	. . Bearing, ball 6206
8	010004	1	. . . Washer, special 45mm OD x 9mm ID x 4mm thick
	011010	1	. . . Setscrew, M8 x 20mm
9	024222	1	. Cap, bearing

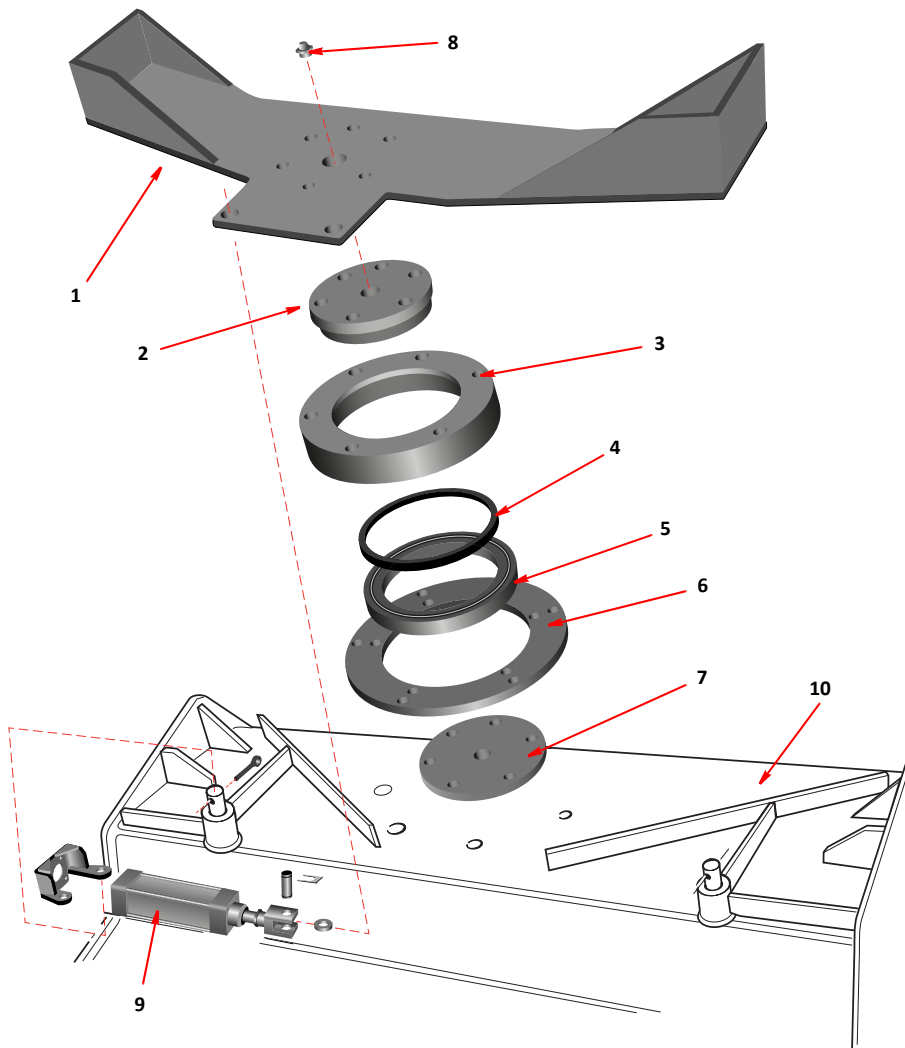
<i>Item</i>	<i>Part Number</i>	<i>Quantity</i>	<i>Description</i>
			Wide Sweep Slewing Arrangement
1	024155	1	Support, wide sweep
2	024150	1	. Spigot
	000178	6	. . Screw, socket countersunk, M10 x 65mm
	011075	6	. . Nut, M10, Nyloc
3	024152	1	. Housing, bearing
4	024148	1	. . Oil seal
5	024149	1	. . Bearing
6	024154	1	. . Clamp ring
	011032	8	. . . Setscrew, M10 x 30mm
	011075	8	. . . Nut, M10, Nyloc
	000167	6	. . . Screw, socket countersunk, M10 x 40mm
7	024151	1	. . Plate, clamp
8	013792*	1	. . Greasing point, straight, $\frac{1}{4}$ " BSP
8	010901*	1	. . Greasing point, 135°, $\frac{1}{8}$ " BSP, fitted from July 2012
9	020767	1	. Cylinder, pneumatic, wide sweep slew Page G5
10	036216	1	Cover, wide sweep, standard Page D5

Notes:-

* Please ensure to identify the correct sized greasing point.



WIDE SWEEP BEARING ASSEMBLY

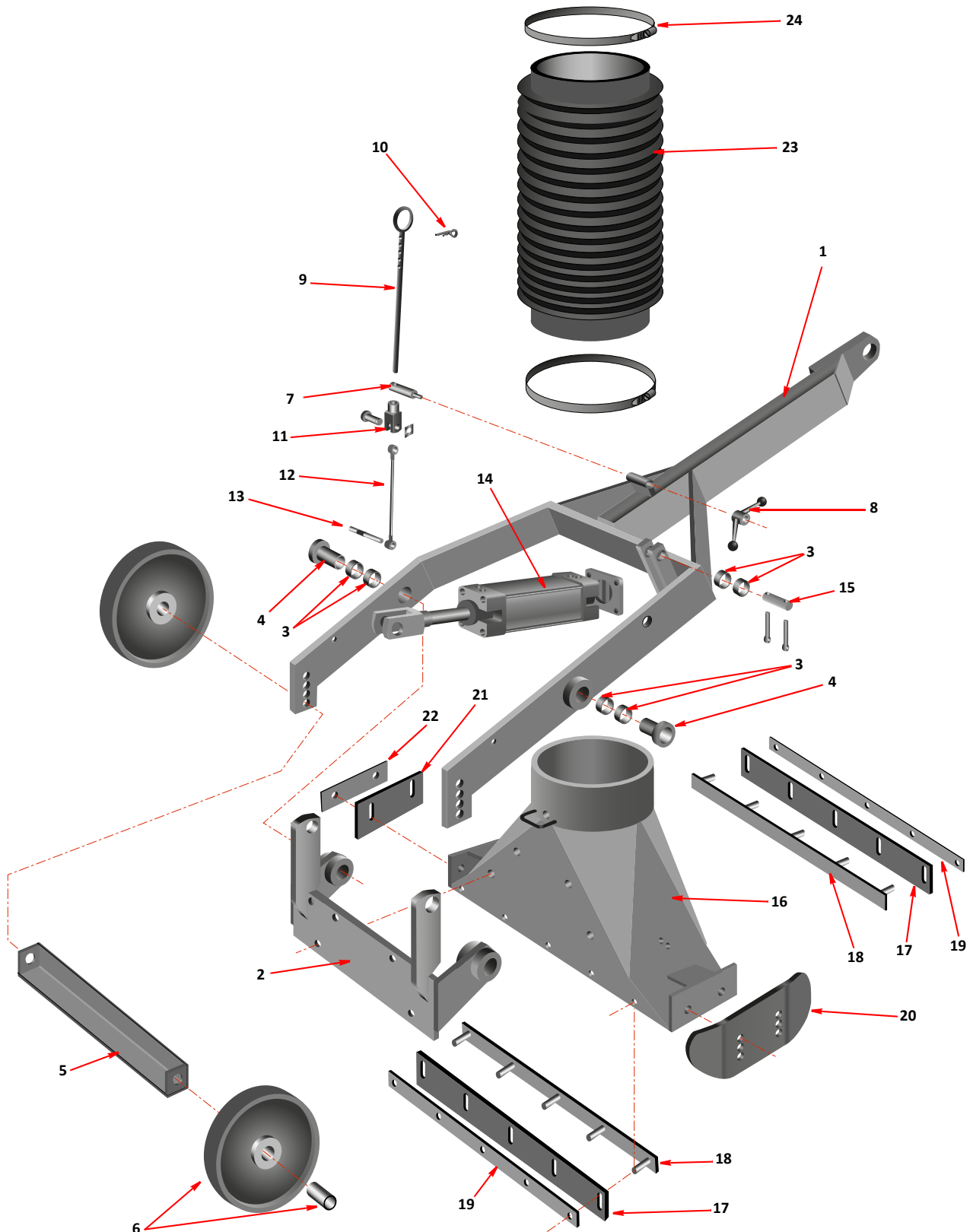


WIDE SWEEP SLEWING ARRANGEMENT

<i>Item</i>	<i>Part Number</i>	<i>Quantity</i>	<i>Description</i>
Tilting Suction Nozzle Assembly			
1	023606	1	. Frame, RH
NI	023605	1	. Frame, LH
2	023607	1	. . . Pivot, tilting nozzle
	000351	2 Bolt, M14 x 70mm
	011127	2 Nut, M14, Nyloc
3	024682	6	. . . Bush, hardened
4	021416	2	. . . Sleeve
NI	010606	3	. . . Carabiner
5	031833	1	. . Axle
6	031831	2	. . . Wheel, ø250mm complete with spacer
	011135	4 Washer, M16
	011133	2 Bolt, M16 x 100mm
	011060	2 Nut, M16, Nyloc
7	023625	1	. . Adjuster, nozzle
	000182	1	. . . Special locknut, nozzle adjuster
8	024051	1	. . . Turn wheel, nozzle adjuster
9	023610	1	. . . Rod, nozzle adjuster
10	021944	1	. . . Double wound grip, R clip 3mm wire
11	020291	1 Clevis, M10 x 1.25
NI	010525	AR Chain, large link, welded, nozzle adjuster
12	025681	1 Leash assembly, nozzle adjuster
13	039766	1 Stud, leash cable
	011071	1 Nut, M10
14	032119	1	. . Cylinder, pneumatic, nozzle tilt, 40 x 160mm Page G7
15	010067	1	. . . Pin, ø20 x 50mm
	011122	2 Split pin, $\frac{3}{16}$ " x $1\frac{1}{4}$ "
16	023604	1	. Suction nozzle box
	011031	4	. . Setscrew, M10 x 25mm
	011075	4	. . Nut, M10, Nyloc
17	013023*	2	. . Flap, rubber, suction nozzle box, front and rear
18	013362	2	. . . Retainer, bolt, flap
19	013025	2	. . . Clamp, retainer, flap
	011073	5 Nut, M8, Nyloc
20	013277	1	. . Skid plate, suction nozzle box
	011021	2	. . . Screw, socket cap head, M8 x 25mm
	011073	2	. . . Nut, M8, Nyloc
21	013283*	1	. . Flap, rubber, suction nozzle box, side
22	013024	1	. . . Clamp, retaining, side flap
	011012	2 Setscrew, M8 x 30mm
	011073	2 Nut, M8, Nyloc
23	013028	1	. . Hose, suction nozzle Page D11
24	012933	2	. . . Clamp, hose, worm drive, 235-267mm

Notes:-

* For a FULL set of suction nozzle rubber flaps order part number 024550



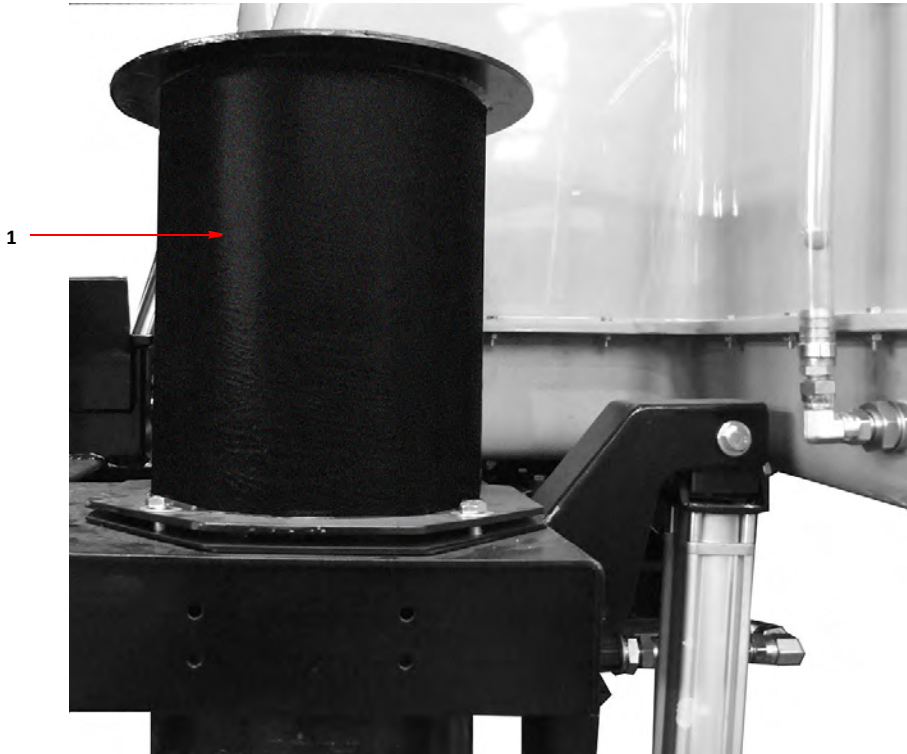
i Right hand tilting suction nozzle assembly shown, left hand similar.

Frame tow-point ball ends are welded to the frame but can be procured as replacements if required. Please contact the Scarab Parts Department for details.

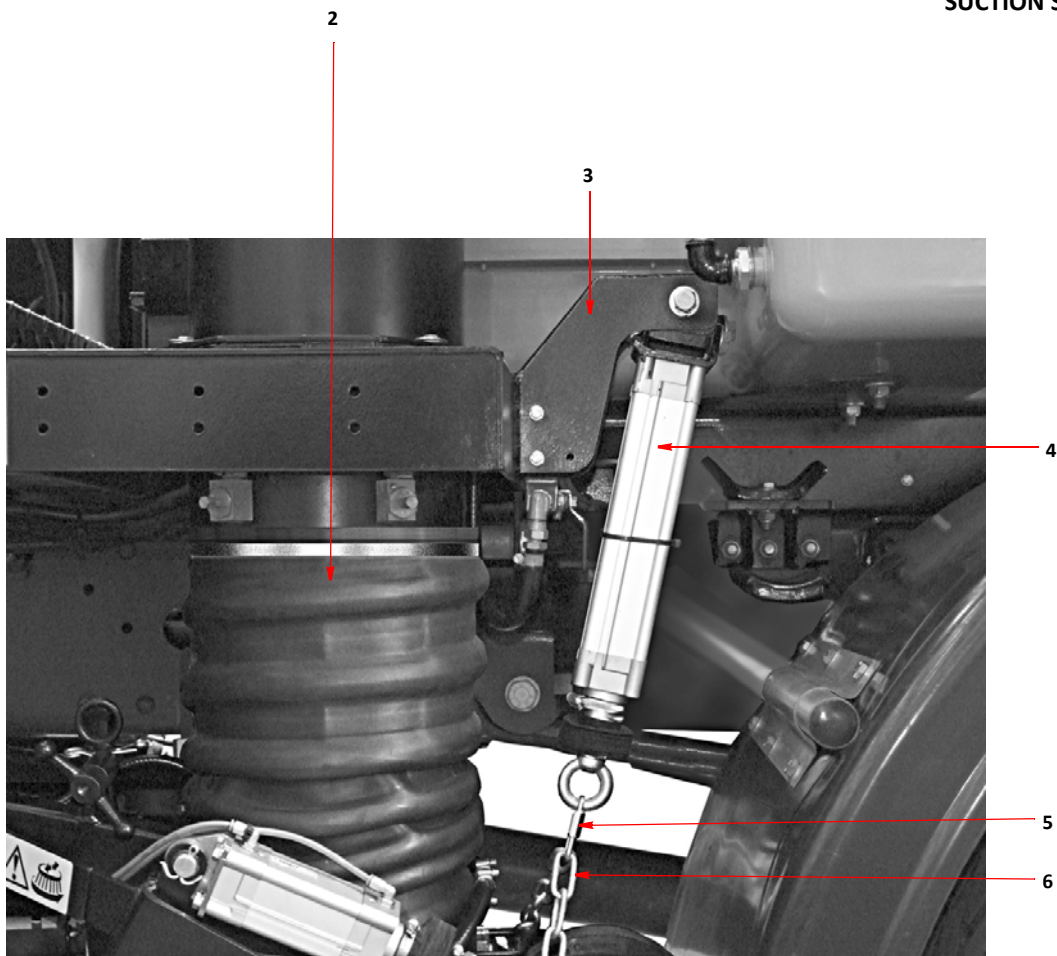
TILTING SUCTION NOZZLE ASSEMBLY

<i>Item</i>	<i>Part Number</i>	<i>Quantity</i>	<i>Description</i>
Suction Spigot			
1	034368	1	. Suction spigot
1	035282	1	. Suction spigot, PU coated (option)
	011054	4	. . Setscrew, M12 x 45mm
	011096	8	. . Washer, M12
	011077	4	. . Nut, M12, Nyloc
2	013028	1	. Hose/trunking, suction nozzle box Page D9
NI	012933	2	. . Clamp, hose, worm drive, 235-267mm

<i>Item</i>	<i>Part Number</i>	<i>Quantity</i>	<i>Description</i>
Suction Nozzle Raise/Lower Arrangement			
3	030775	1	. Bracket, Cylinder, mounting
	011031	4	. . Setscrew, M10 x 25mm
	011094	8	. Washer, M10
	011075	4	. . Nut, M10, Nyloc
4		1	. Cylinder, pneumatic, nozzle lift, assembly Page G7
5	010606	4	. Carabiner
6	010525	AR	. Chain, large link, nozzle lift

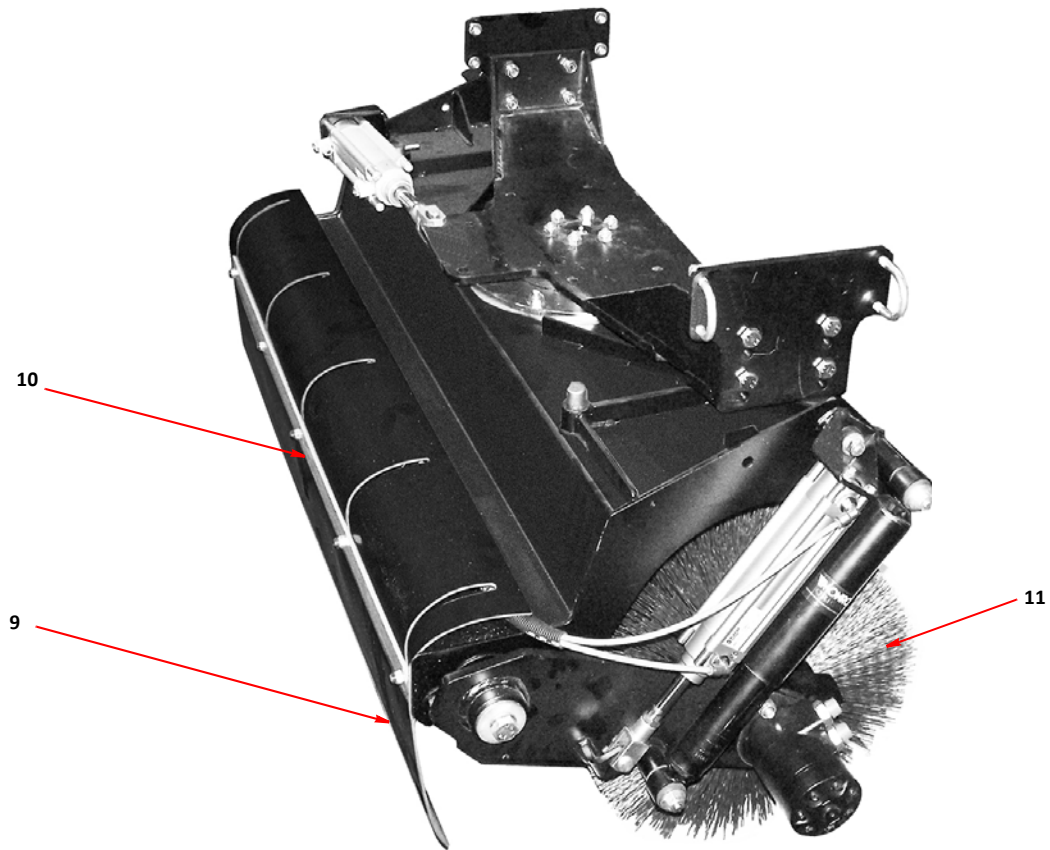
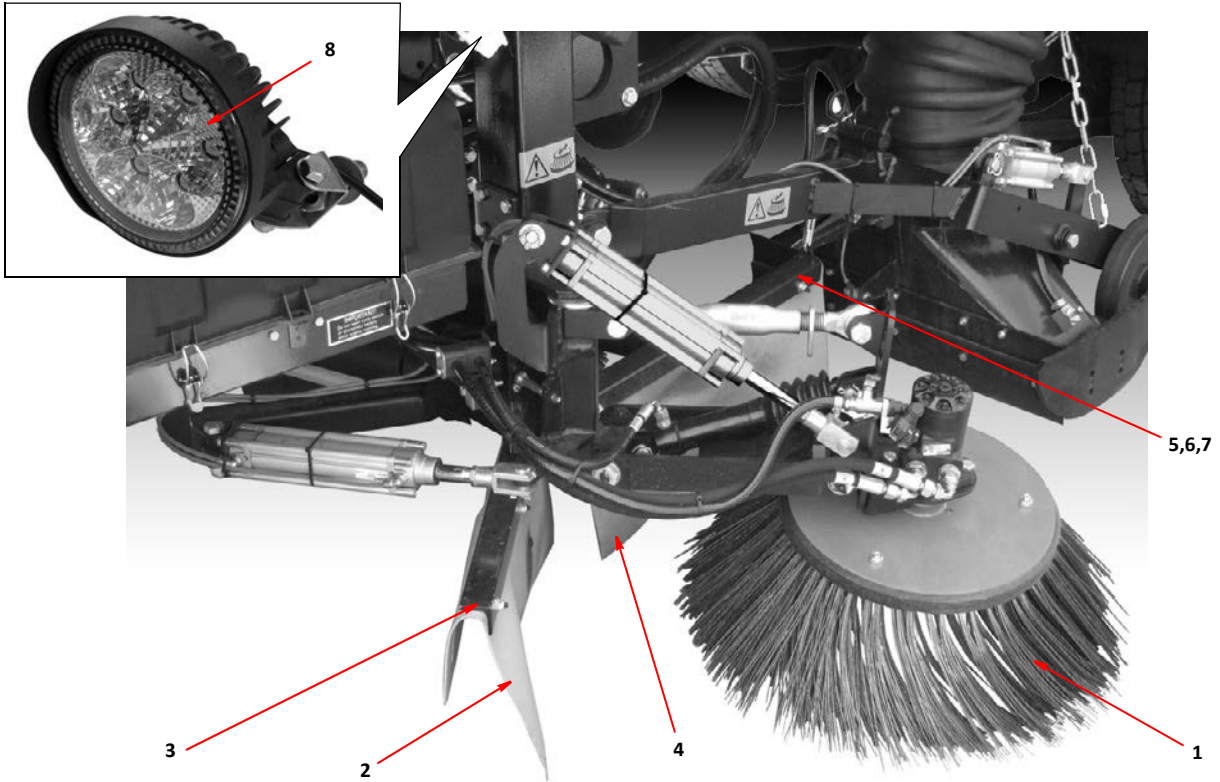


SUCTION SPIGOT



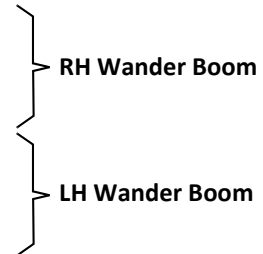
SUCTION NOZZLE - RAISE/LOWER ARRANGEMENT

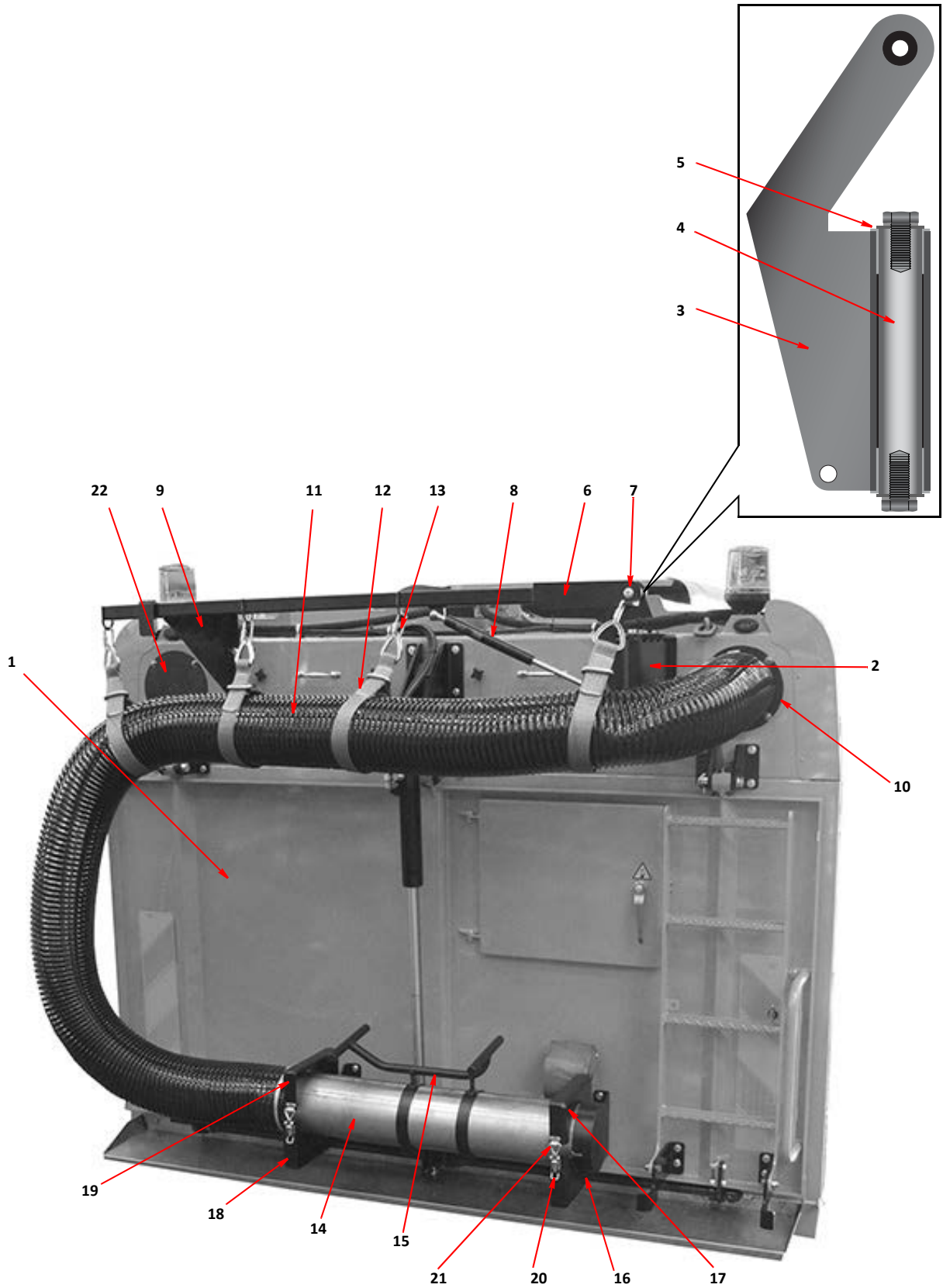
<i>Item</i>	<i>Part Number</i>	<i>Quantity</i>	<i>Description</i>
Associated Sweeping Equipment - Brushes and Skirts			
1	023473	1	Side brush, ø400mm, 3 stud (steel) Page D1
NI	020921	1	Side brush, ø400mm, 3 stud (weed ripping) Page D1
NI	025744	1	Side brush, ø400mm, 3 stud (poly) Page D1
2	010247	1	. Skirt, side brush, front, 3 slot
3	010275	1	. . Clamp, skirt, 3 stud
	011092	6	. . . Washer, M8
	011073	3	. . . Nut, M8, Nyloc
4	010247	1	. Skirt, side brush, side, 3 slot
5	013145	1	. . Clamp, angle, 3 hole
6	010275	1	. . Clamp, skirt, 3 stud
	011092	6	. . . Washer, M8
	011073	3	. . . Nut, M8, Nyloc
7	010607	2 Carabiner
8	038769	1	Work light, LED Page H6
NI	037084	1	Work light, 24V x 70W Page H6
9	022516	1	Skirt, wide sweep
10	022517	1	. Clamp, wide sweep
	011073	5	. . Nut, M8, Nyloc
11	023474	1	Brush element, wide sweep, ø400mm, box of 44 Page D5



ASSOCIATED SWEEPING EQUIPMENT - BRUSHES AND SKIRTS

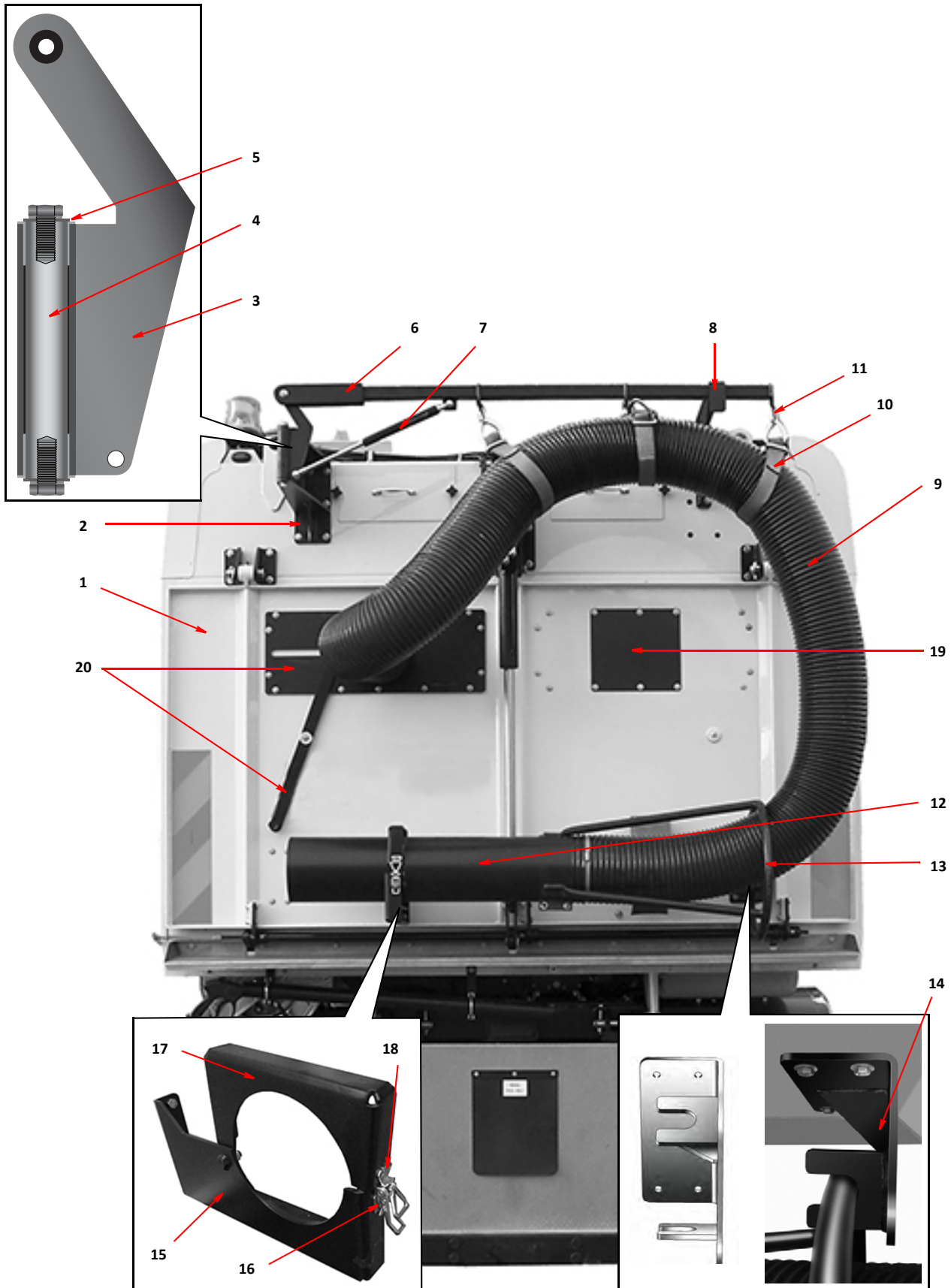
Item	Part Number	Quantity	Description
Rear Wander Boom Arrangement			
1	039263	1	Rear door, with RH inspection/cleaning hatch Page C13,C17
NI	039311	1	Rear door, with LH inspection/cleaning hatch Page C13,C17
2	034767	1	. Hinge, wander boom, RH
NI	034312	1	. Hinge, wander boom, LH
	011032	6	. . Setscrew, M10 x 35mm
	011094	12	. . Washer, M10
	011075	6	. . Nut, M10, Nyloc
3	028025	1	. . . Hinge, boom arrangement
4	013662	2 Bush, plastic
5	023490	1 Hinge, shaft, boom arrangement
	011097	2 Spring washer, M12
	011052	2 Setscrew, M12 x 35mm
	010903	1	. . . Greasing point, straight, 1/8" BSP
6	025218	1	. . Support arm, boom
	011032	2	. . . Setscrew, M10 x 35mm
	011094	4	. . . Washer, M10
	011075	2	. . . Nut, M10, Nyloc
7	012548	1	. . . Bracket, angle (carabiner)
8	021993	1	. . Gas strut, boom support arm
9	034313	1	. . Stowage hook, boom support arm
10	025225	1	. Wander hose sleeve
	000263	4	. Washer, M8, stainless steel
	000264	4	. Nut, M8, Nyloc, stainless steel
11	036062	1	. . Wander hose, ø180mm x 5m
12	025235	4	. . . Strap, wander hose
13	010606	4	. . . Carabiner
	012933	2 Clamp, hose, worm drive, 235-267mm
14	035959	1	. . . Tube, wander boom
15	039283	1 Handle, wander boom tube
16	039280	1	. Stowage bracket, lower (used on right side)
17	039283	1	. . Stowage bracket, upper, (used on right side)
18	035963	1	. Stowage bracket, lower, (used on left side)
19	035962	1	. . Stowage bracket, upper, (used on left side)
NI	039281	1	. Stowage bracket, lower, (used on left side)
19	035962	1	. . Stowage bracket, upper, (used on left side)
18	035963	1	. Stowage bracket, lower, (used on right side)
19	035962	1	. . Stowage bracket, upper, (used on right side)
20	010509	2	. . Fastener, hinge, toggle clip
21	021841	2	. . Fastener, hook, toggle clip
	000389	8	. . . Screw, Pozidriv, countersunk, M5 x 16mm
	000155	8	. . . Nut, M5, Nyloc
22	025486	1	. . Cover plate, wander boom attachment
	000264	4	. . . Washer, M8, stainless steel
	000263	4	. . . Nut, M8, Nyloc, stainless steel





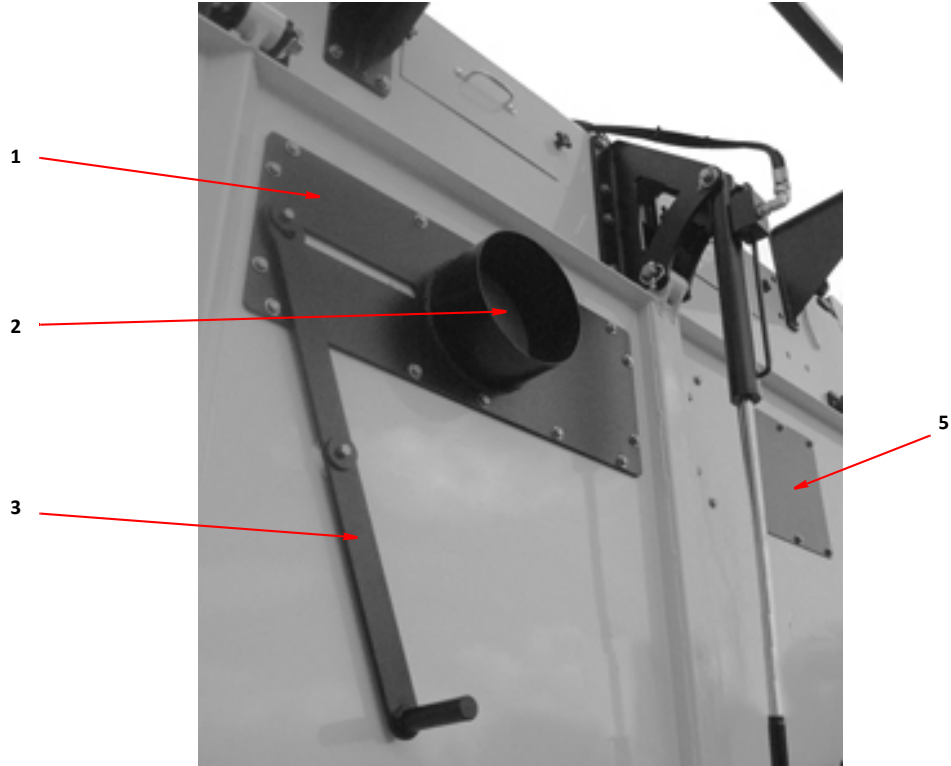
REAR WANDER BOOM ARRANGEMENT

<i>Item</i>	<i>Part Number</i>	<i>Quantity</i>	<i>Description</i>
Rear Door Wander Boom Arrangement			
1	034298	1	. Rear door Page C13
2	034312	1	. Hinge bracket, boom arrangement, LH
NI	034767	1	. Hinge bracket, boom arrangement, RH
	011032	6	. . Setscrew, M10 x 35mm
	011094	12	. . Washer, M10
	011075	6	. . Nut, M10, Nyloc
3	028025	1	. . . Hinge, boom arrangement
4	013662	2 Bush, plastic
5	023490	1 Hinge, shaft, boom arrangement
	011097	2 Spring washer, M12
	011052	2 Setscrew, M12 x 35mm
	010903	1	. . . Greasing point, straight, 5/8" BSP
6	025218	1	. . Support arm, boom
	011032	2	. . . Setscrew, M10 x 35mm
	011094	4	. . . Washer, M10
	011075	2	. . . Nut, M10, Nyloc
7	021993	1	. . Gas strut, boom support arm
8	034313	1	. . Stowage hook, boom support arm
9	026974	1	. . . Wander hose, suction, 8" ID
NI	012933	2 Clamp, hose, worm drive, 235-267mm
10	025235	3 Retaining strap, hose support
11	010606	3 Carabiner, hose support
12	034797	1	. . . Suction tube
13	034744	1	. . . Handle, suction tube/hose
14	034821	1 Hook, stowage, suction tube handle
	011032	4 Setscrew, M10 x 35mm
	011094	8 Washer, M10
	011075	4 Nut, M10, Nyloc
15	034822	1	. . . Bracket, boom mounting cup
	011032	3 Setscrew, M10 x 35mm
	011094	6 Washer, M10
	011075	3 Nut, M10, Nyloc
16	010509	1 Fastener, hinge, toggle clip
		2 Screw, countersunk, slotted M6 x 16
		2 Nut, M6, Nyloc
17	034823	1	. . . Bracket, boom mounting lock
18	010509	1 Fastener, hook, toggle clip
		2 Screw, countersunk, slotted M6 x 16
		2 Nut, M6, Nyloc
19	034304	1	. . Blanking plate
	011011	6	. . . Setscrew, M8 x 25mm
	011092	12	. . . Washer, M8
	011073	6	. . . Nut, M8, Nyloc
20		1	. . Manual blanking, rear wander boom Page D19



REAR DOOR WANDER BOOM ARRANGEMENT

<i>Item</i>	<i>Part Number</i>	<i>Quantity</i>	<i>Description</i>
Rear Door Wander Boom Blanking Arrangement			
1	034299	1	. Spigot, rear door wander boom Page D17
NI	034301	1	. . Spacer plate
	011011	14	. . . Setscrew, M8 x 25mm
	011092	28	. . . Washer, M8
	011073	14	. . . Nut, M8, Nyloc
2	034300	1	. . Shutter, rear wander boom
3	034302	1	. . Arm, blanking, rear wander boom
	034303	2	. . . Washer, 40mm OD x 9mm ID x 4mm thick
4	034305	1	. . Deflector, inner, rear wander boom, LH
NI	034306	1	. . Deflector, inner, rear wander boom, RH
5	034304	1	. Blanking plate
	011011	6	. . Setscrew, M8 x 25mm
	011092	12	. . Washer, M8
	011073	6	. . Nut, M8, Nyloc



REAR DOOR WANDER BOOM BLANKING ARRANGEMENT

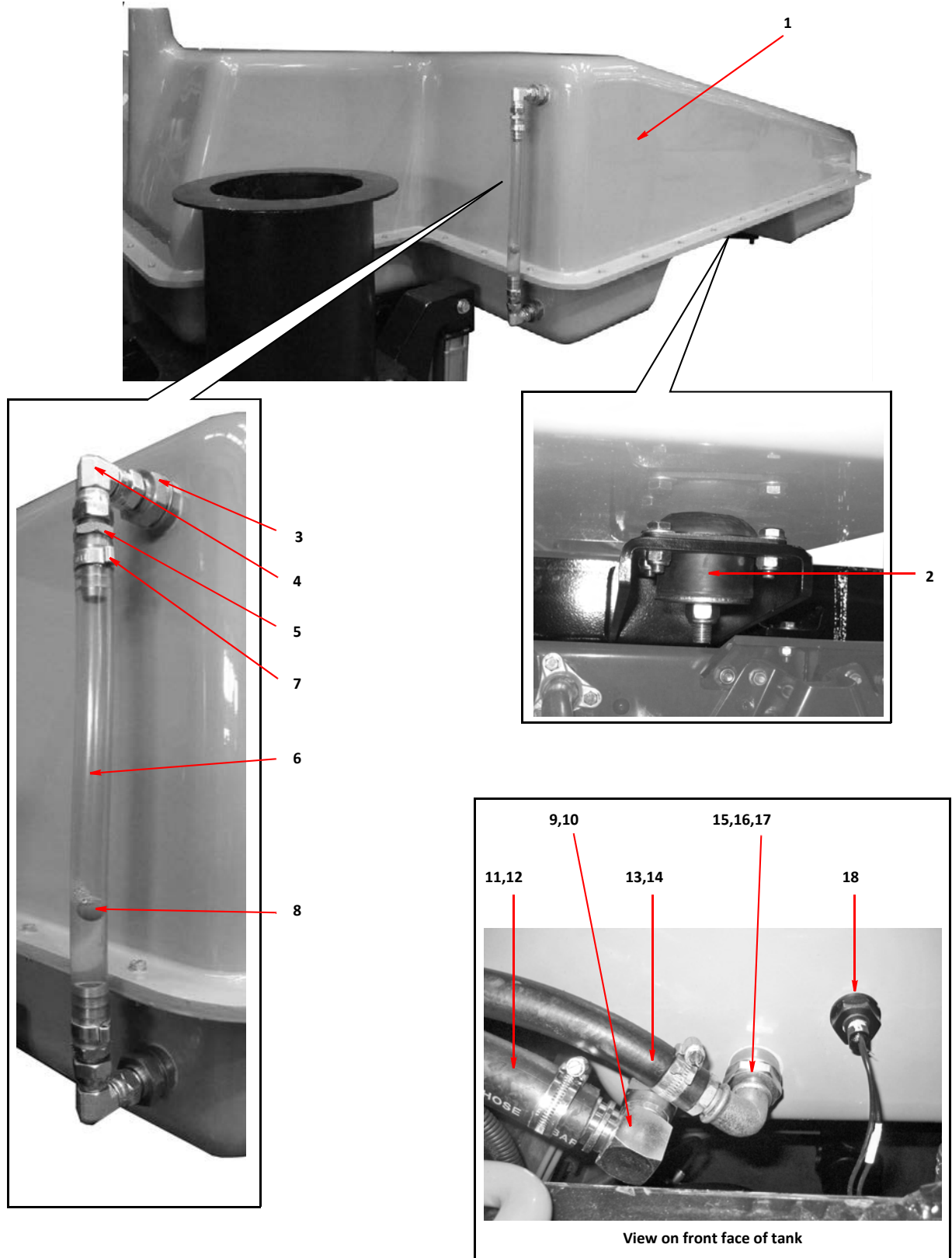
WASHING AND DUST SUPPRESSION

SECTION E

TABLE OF CONTENTS

<i>Assembly/Description</i>	<i>Page</i>
Water Tank Assembly	1
Water Tank Drain Valve Assembly	3
Water Filter Assembly - High Pressure	3
Water Tank Filler Arrangement(s)	5
Low Pressure Water Pump Electric- Arrangement	7
Low Pressure Water Pump Roller Type - Arrangement	9
Low Pressure Water Pump Roller Type - Components	11
Low Pressure Water Pump Twin Diaphragm - Arrangement	13
Low Pressure Water Pump Twin Diaphragm - Components	15
Water Valve Assembly	17
Side brush Low Pressure Water Spray Nozzle	19
Front Low Pressure Spray Bar	19
Combined High & Low Pressure Front Spray Bar Arrangement	21
Suction Nozzle Box - Dust Suppression	23
Suction Tube - Dust Suppression	23
Automatic Hose Reel and Lance Assembly	25
High Pressure Water Pump 30 LPM - Arrangement	27
High Pressure Water Pump 30 LPM - Seal and Valve Kits	29
High Pressure Water Pump 42 LPM - Arrangement	31
High Pressure Water Pump 42 LPM - Components	33
High Pressure Water Pump 42 LPM - Seal Kits	34

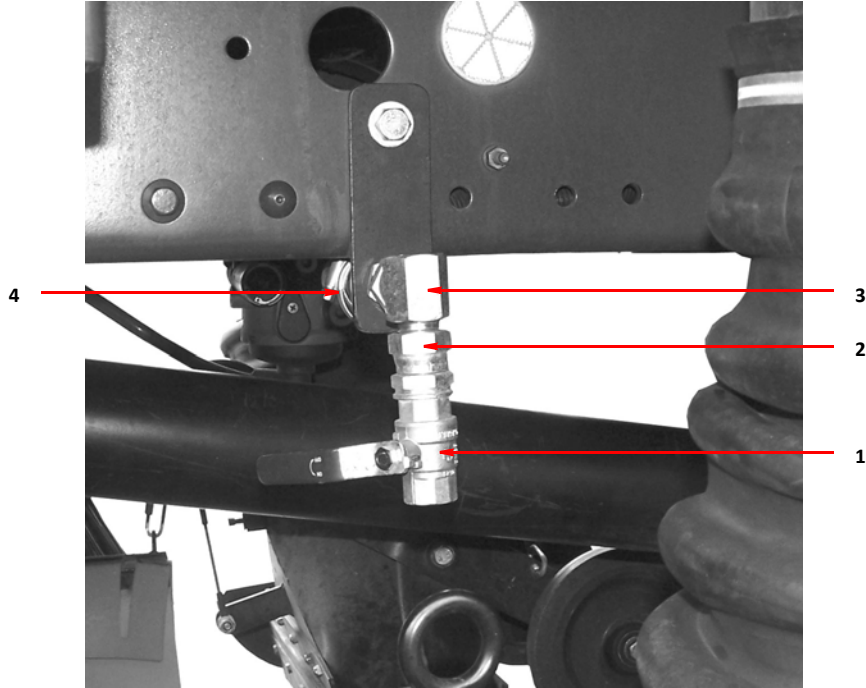
Item	Part Number	Quantity	Description
Water Tank Assembly			
1	034333	1	. Water tank (GRP) Page C1
2	033838	4	. . Anti-vibration mount, rubber
	011060	4	. . . Nut, M16, Nyloc
	011032	16	. . . Setscrew, M10 x 30mm
	011094	16	. . . Washer, M10
	011075	16	. . . Nut, M10, Nyloc
3	010946	2	. . Bush, reducer, $\frac{3}{4}$ " x $\frac{3}{8}$ " BSP
NI	011155	2	. . . Seal, Dowty $\frac{3}{4}$ " BSP
4	010913	2	. . Elbow, galvanised, M/M, $\frac{3}{8}$ " BSP
5	010930	2	. . Hose tail, $\frac{3}{8}$ " BSP x $\frac{5}{8}$ " hose
6	040424	1	. . . Tube, clear PVC, $\frac{5}{8}$ " ID
7	000202	2 O clamp $\frac{7}{8}$ "
8	025335	1 Ball, float, $\frac{1}{2}$ " plastic
9	011210	1	. . Elbow, $\frac{3}{4}$ " BSP x 1" hose
10	011161	2	. . . Adaptor, M/M, straight $\frac{3}{4}$ " BSP
NI	011155	4	. . . Seal, Dowty $\frac{3}{4}$ " BSP
NI	034760	1	. . Lid, water tank
NI	034870	1	. . Plate, sump, water tank
NI	034873	2	. . . Gasket, lid/sump plate. water tank
11	014827	AR	. . Hose, rubber, 1" bore
12	010518	1	. . . Clamp, hose, worm drive, 30-40mm
13	011100	AR	. . Hose, rubber, $\frac{5}{8}$ " bore
14	010517	1	. . . Clamp, hose, worm drive, 18-25mm
15	010913	2	. . Elbow, galvanised, M/M, $\frac{3}{8}$ " BSP
16	010946	2	. . Bush, reducer, $\frac{3}{4}$ " x $\frac{3}{8}$ " BSP
NI	011155	2	. . . Seal, Dowty $\frac{3}{4}$ " BSP
17	010930	2	. . Hose tail, $\frac{3}{8}$ " BSP x $\frac{5}{8}$ " hose
18	036871	1	. . Float switch and amp (option) Page H5



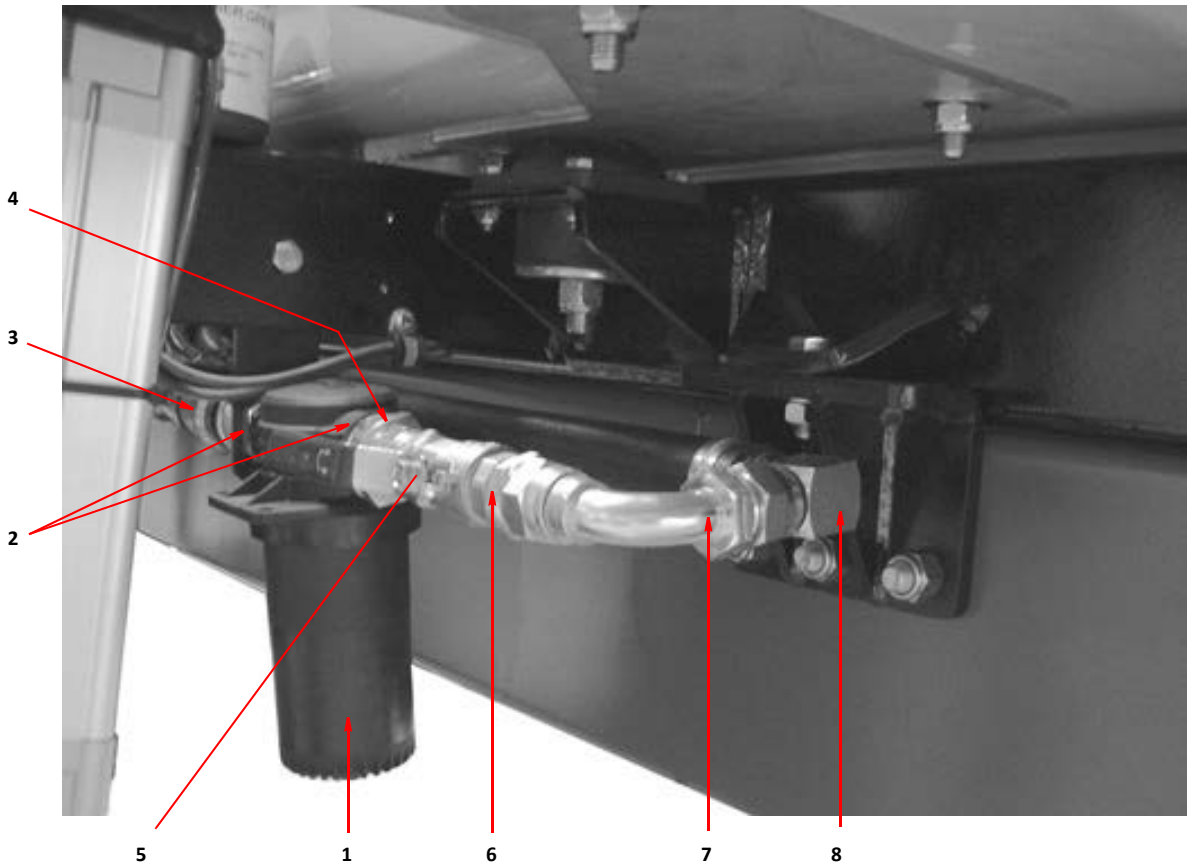
WATER TANK ASSEMBLY

<i>Item</i>	<i>Part Number</i>	<i>Quantity</i>	<i>Description</i>
Water Tank Drain Valve Assembly			
1	013757	1	. Valve, ball $\frac{3}{4}$ " BSP
2	012228	1	. . Coupling, M/M, $\frac{3}{4}$ " BSP
3	002044	1	. . Elbow, compact, M/F, $\frac{3}{4}$ " BSP
4	011161	1	. . Adaptor, M/M, $\frac{3}{4}$ " BSP
NI	010934	1	. . Socket, $\frac{3}{4}$ " BSP
NI	010931	1	. . Hose tail, $\frac{3}{4}$ " BSP x 1" hose
NI	010518	1	. . . Clamp, hose, worm drive, 30-40mm

<i>Item</i>	<i>Part Number</i>	<i>Quantity</i>	<i>Description</i>
Water Filter Assembly - High Pressure			
1	023862	1	. Filter, water (complete with element)
NI	023863	1	. . Element, gauze
NI	023897	1	. . . 'O' Ring
2	000154	2	. Bush, reducing, galvanised, M/F, 1" x $\frac{3}{4}$ " BSP
3	010931	1	. Hose tail, $\frac{3}{4}$ " BSP x 1" hose
4	010916	1	. Adaptor, M/M, $\frac{3}{4}$ " BSP
5	013757	1	. Valve, ball $\frac{3}{4}$ " BSP
6	011161	1	. Adaptor, M/M, $\frac{3}{4}$ " BSP
7	011196	1	. Elbow, swept, M/F, $\frac{3}{4}$ " BSP
8	011210	1	. Elbow, $\frac{3}{4}$ " BSP x 1" hose
NI	010518	1	. Clamp, hose, worm drive, 30-40mm

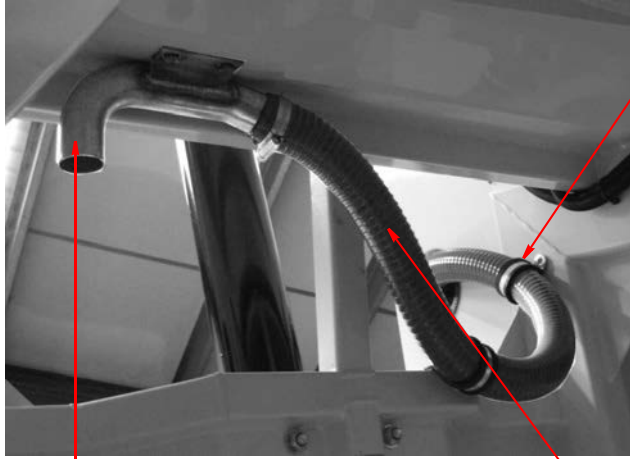


WATER TANK DRAIN VALVE



WATER FILTER ASSEMBLY - HIGH PRESSURE

<i>Item</i>	<i>Part Number</i>	<i>Quantity</i>	<i>Description</i>
Water Tank Filler Arrangement(s)			
1	034388	1	. Filler pipe
	000257	2	. . Setscrew, M8 x 25mm, stainless steel
	000264	2	. . Washer, M8, stainless steel
2	001045	AR	. Hose, green, medium duty, 1½" bore
3	005055	2	. . Clip 50mm OD
NI	003007	2	. . Clamp, hose, worm drive, 35-50mm
4	035669	1	. Water tank filler RH
	011011	4	. . Setscrew, M8 x 25mm
	011092	8	. . . Washer, M8
	011703	4	. . . Nut, M8, Nyloc
5	013661	1	. . Cap, water tank
6	025140	1	. Hydrant adaptor, includes back nut
7	039313	1	. . Bracket, mounting
	000257	4	. . . Setscrew, M8 x 25mm, stainless steel
	000264	8 Washer, M8, stainless steel
	000263	4 Nut, M8, Nyloc, stainless steel



WATER TANK FILLER HOSE
ROUTING RH

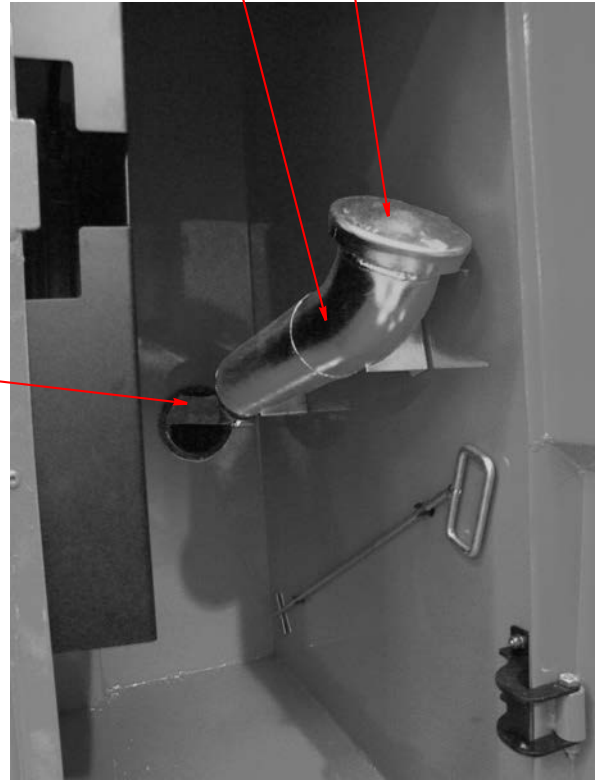
1

2

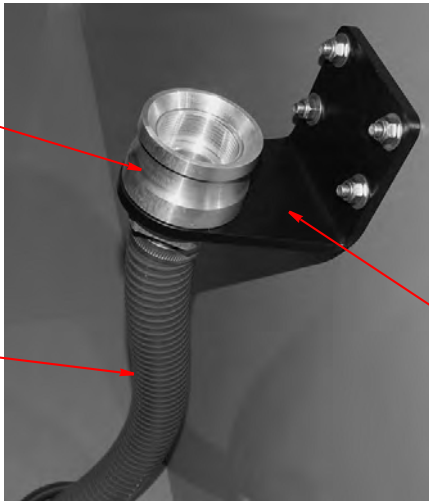
3

4

5



WATER TANK FILLER RH LOCATED INSIDE
RIGHT HAND SIDE LOCKER



HYDRANT ADAPTOR WATER TANK FILLER
LOCATED IN RIGHT HAND SIDE LOCKER

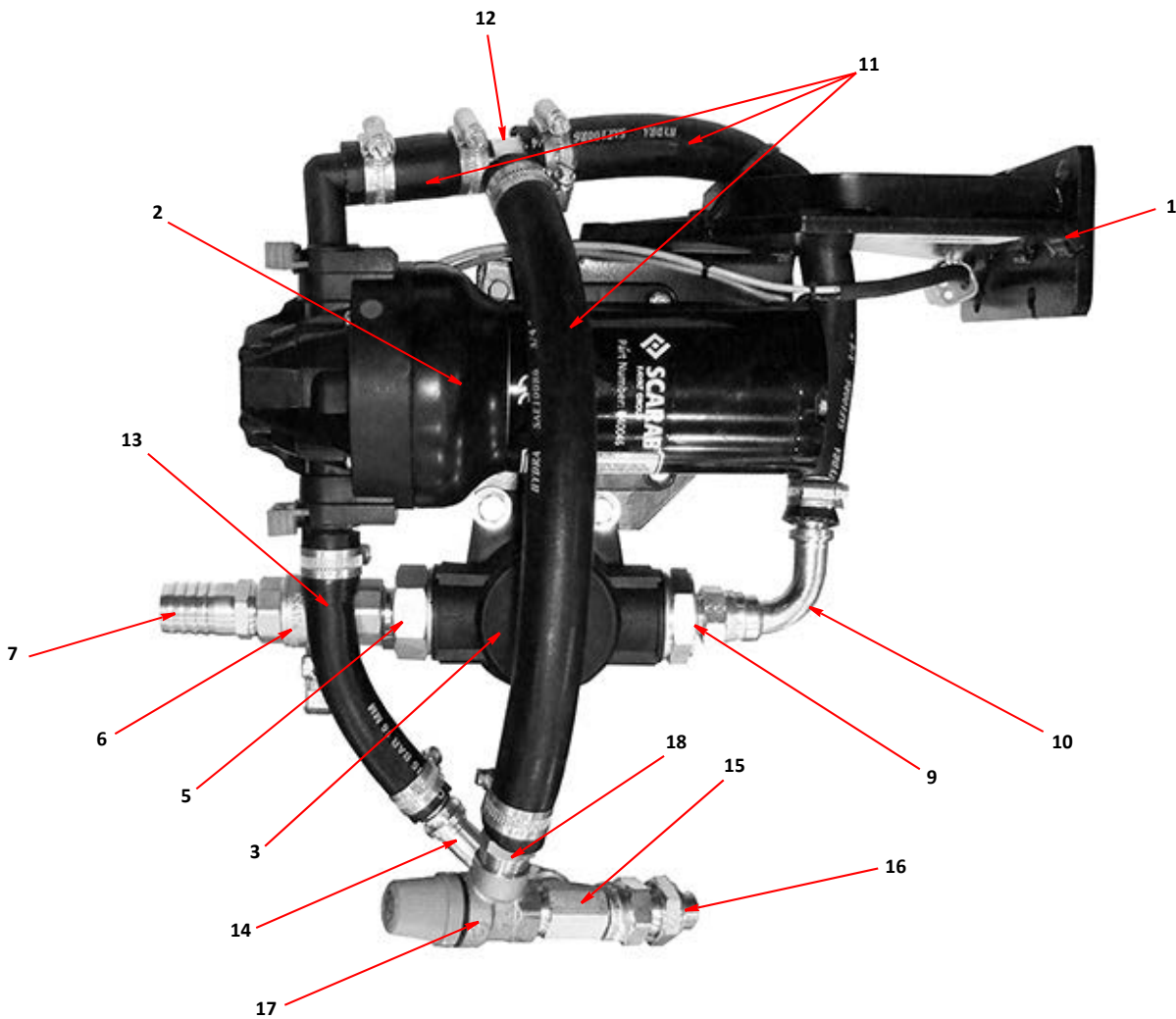
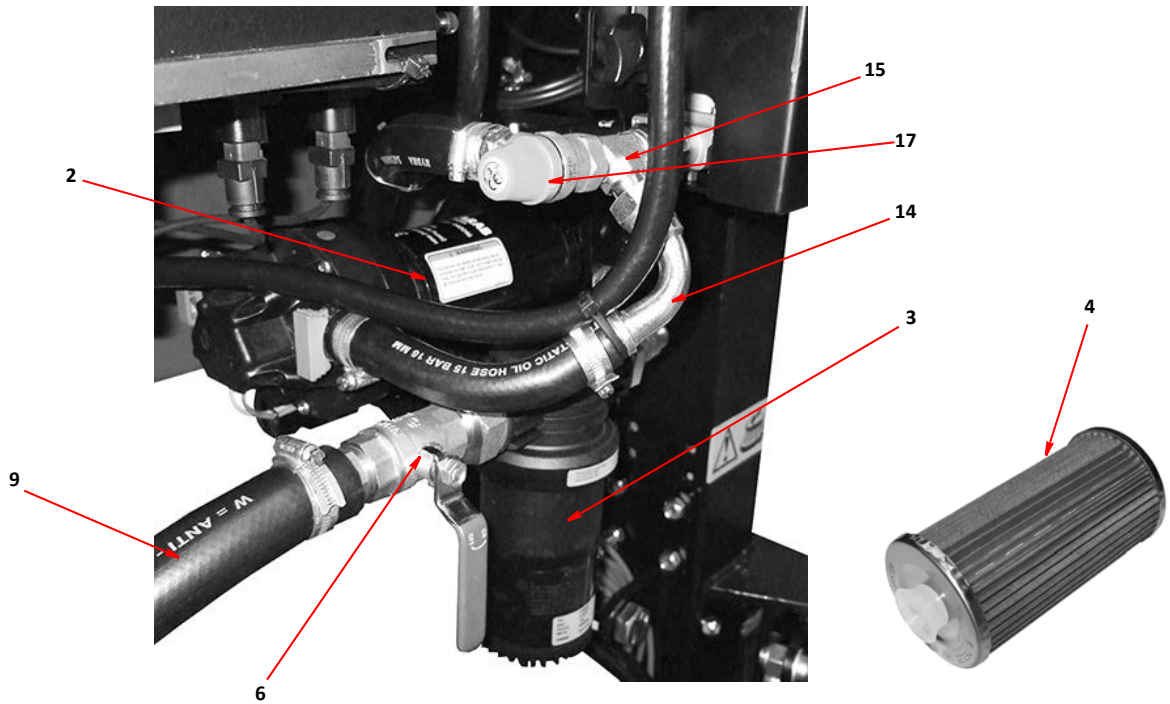
6

7

2

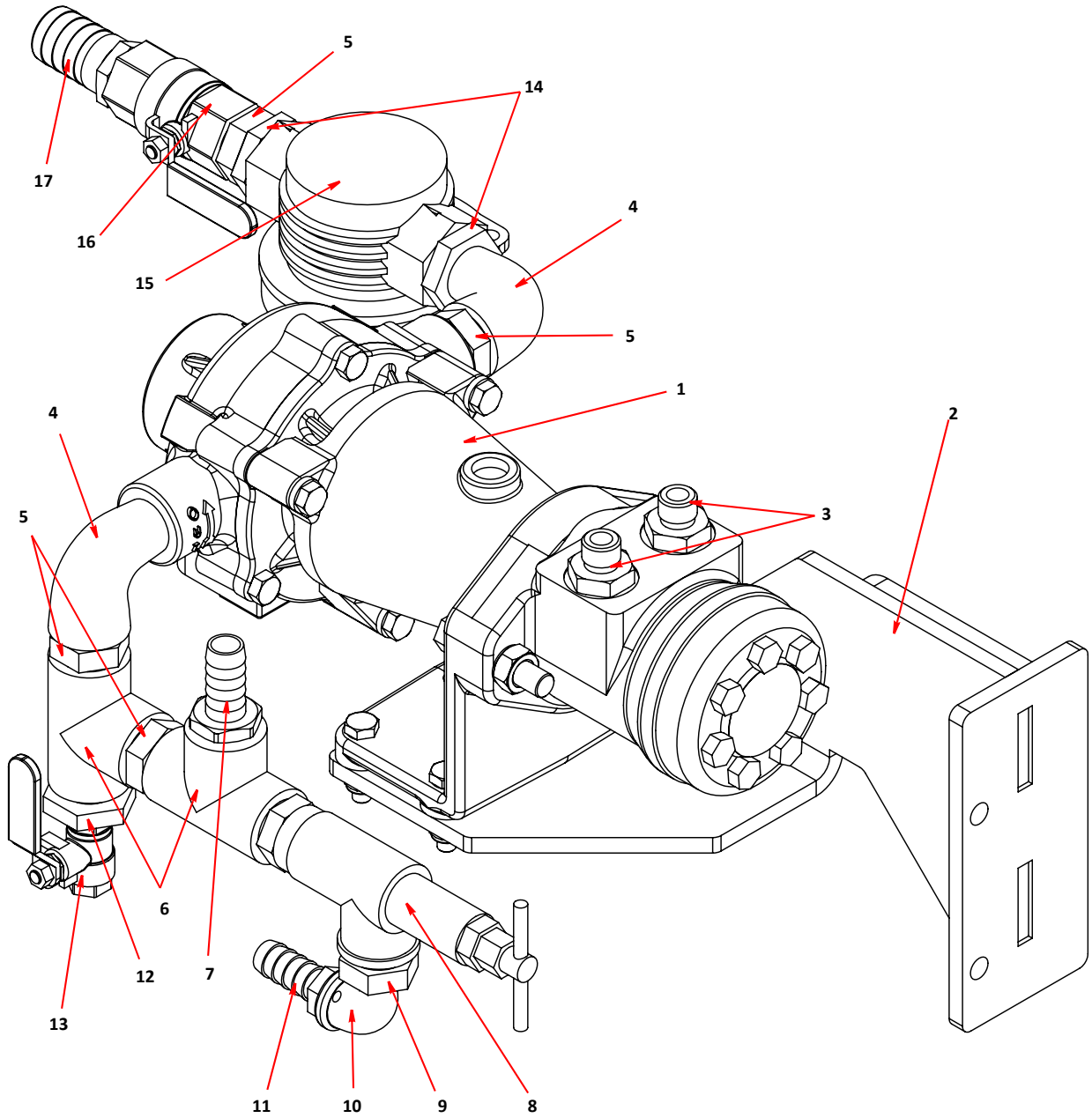
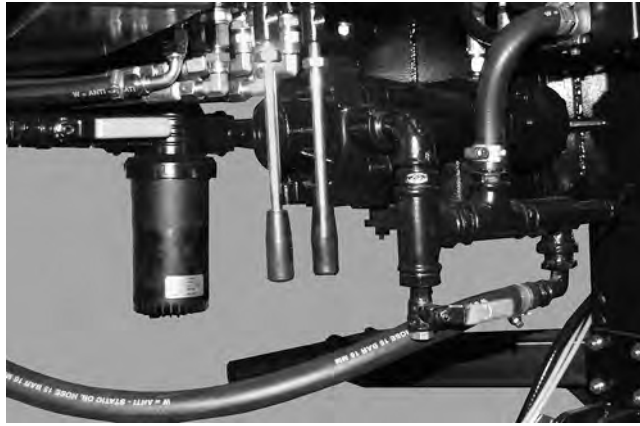
WATER TANK FILLER ARRANGEMENT(S)

<i>Item</i>	<i>Part Number</i>	<i>Quantity</i>	<i>Description</i>
Low Pressure Water Pump Electric- Arrangement			
1	038503	1	. Mounting bracket
2	040046	1	. . Water pump, low-pressure (Electric)Page F25,H6
	000230	4	. . . Setscrew, M5 x 45mm
	000410	4 Washer, M5
	000155	4 Nut, M5, Nyloc
3	023862	1	. . Filter (complete with element)
4	023863	1	. . . Filter, element
	011011	2	. . . Setscrew, M8 x 25mm
	011902	4 Washer, M8
	011073	2 Nut, M8, Nyloc
5	011193	2	. . . Reducer, 1 x $\frac{3}{4}$ " BSP
	011156	1 Seal, Dowty, $\frac{1}{2}$ " BSP
6	013757	1 Valve, ball, $\frac{3}{4}$ " BSP
7	010931	1 Hose-tail, $\frac{3}{4}$ " BSP x 1"
8	014827	AR Hose, rubber, 1" bore (from water tank)
	010518	1	. . . Clamp, hose, worm drive, 30-40mm
9	011228	1	. . . Reducer, 1 x $\frac{1}{2}$ " BSP
	011156	1 Seal, Dowty, 1" BSP
10	011234	1 Elbow, $\frac{1}{2}$ " BSP x $\frac{5}{8}$ " hose
11	002188	AR Hose, rubber, $\frac{3}{4}$ " bore
12	031510	1 Tee, plastic, $\frac{3}{4}$ " hose
	010517	6 Clamp, hose, worm drive, 18-25mm
13	011000	AR	. . . Hose, rubber $\frac{5}{8}$ " bore
14	011234	1 Elbow, $\frac{1}{2}$ " BSP x $\frac{5}{8}$ " hose
	010517	2 Clamp, hose, worm drive, 18-25mm
15	011182	1 Tee, nut on run, $\frac{1}{2}$ " BSP
16	011167	1 Adaptor, $\frac{1}{2}$ " BSP x $\frac{5}{8}$ " BSP (to water valves)
	011153	1 Seal, Dowty, $\frac{5}{8}$ " BSP
17	030741	1 Pressure reducer, $\frac{1}{2}$ " BSP
18	011235	1 Hose-tail, $\frac{1}{2}$ " BSP x $\frac{3}{4}$ " hose



LOW PPRESSION WATER PUMP ELECTRIC

<i>Item</i>	<i>Part Number</i>	<i>Quantity</i>	<i>Description</i>
Low Pressure Water Pump Roller Type - Arrangement			
1	037812	1	. Water pump, low-pressure (roller type) Page F25
2	038503	1	. . Mounting bracket
	011013	4	. . . Setscrew, M8 x 35mm
	011073	4	. . . Nut, M8, Nyloc
3	002196	2	. . Adaptor, M/M, $\frac{7}{8}$ -14 UNF x $\frac{3}{8}$ " BSP
4	010917	2	. . Elbow, 90°, M/F, $\frac{3}{4}$ " BSP
5	010916	4	. . Adaptor, M/M, $\frac{3}{4}$ " BSP
6	010919	2	. . Tee, F/F/F, $\frac{3}{4}$ " BSP
7	003036	1	. . Insert, brass, $\frac{3}{4}$ " BSPT male x $\frac{3}{8}$ "
8	010101	1	. . Valve, pressure relief, $\frac{3}{4}$ " BSP
9	010946	1	. . . Reducer, $\frac{3}{4}$ " BSP x $\frac{3}{8}$ " BSP
10	010913	1 Elbow, 90°, M/F, $\frac{3}{8}$ " BSP
11	010930	1 Hose-tail, $\frac{3}{8}$ " BSP x $\frac{5}{8}$ "
12	011164	1	. . Adaptor, M/M, $\frac{3}{4}$ " BSP x $\frac{1}{4}$ " BSP
13	011743	1	. . . Valve, ball, $\frac{1}{4}$ " BSP
14	000154	2	. . Reducer, galvanised, 1" x $\frac{3}{4}$ " BSP
15	023862	1	. . Filter (complete)
NI	023863	1	. . . Filter, element
16	013757	1	. . Valve, ball, $\frac{3}{4}$ " BSP
17	010931	1	. . Hose-tail, $\frac{3}{4}$ " BSP x 1"

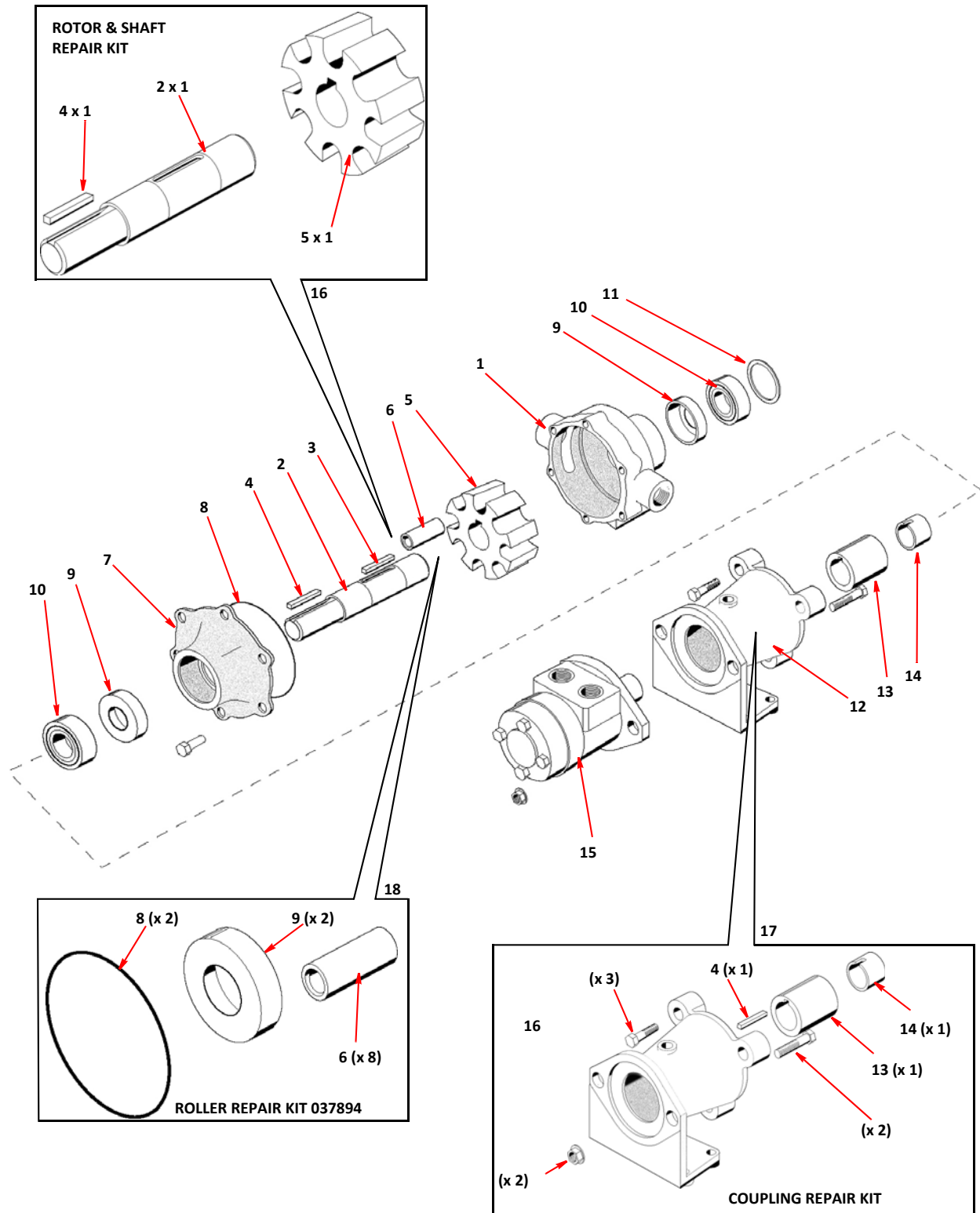


LOW-PRESSURE WATER PUMP ROLLER TYPE

<i>Item</i>	<i>Part Number</i>	<i>Quantity</i>	<i>Description</i>
Low Pressure Water Pump Roller Type - Components			
1	*	1	. Pump, body
NI	037893	1	. Pump, body (complete less motor)
2	*	1	. . Shaft, drive
3	*	1	. . Key, drive
4	*	1	. . Key, drive
5	*	1	. . Rota
6	*	8	. . . Roller
7	*	1	. . End plate
8	*	1	. . . O-ring
	*	3	. . . Setscrew
	*	3	. . . Setscrew
	*	6	. . . Nut
9	*	2	. . . Seal (Viton)
10	*	2	. . . Bearing
11	*	1 Cover, bearing
12	*	1	. . Flange, mounting
13	*	1	. . Coupling, drive
14	*	1	. . . Spacer
15	*	1	. . Motor, hydraulic
	*	2	. . . Setscrew
	*	2	. . . Nut
16	*	1	. Repair kit, rotor & shaft
17	*	1	. Repair kit, coupling
18	037894	1	. Repair kit, roller

Notes:-

* These part number are To Be Advised, please contact the Scarab Parts department if you require any of these parts.



LOW-PRESSURE WATER PUMP ROLLER TYPE - COMPONENTS

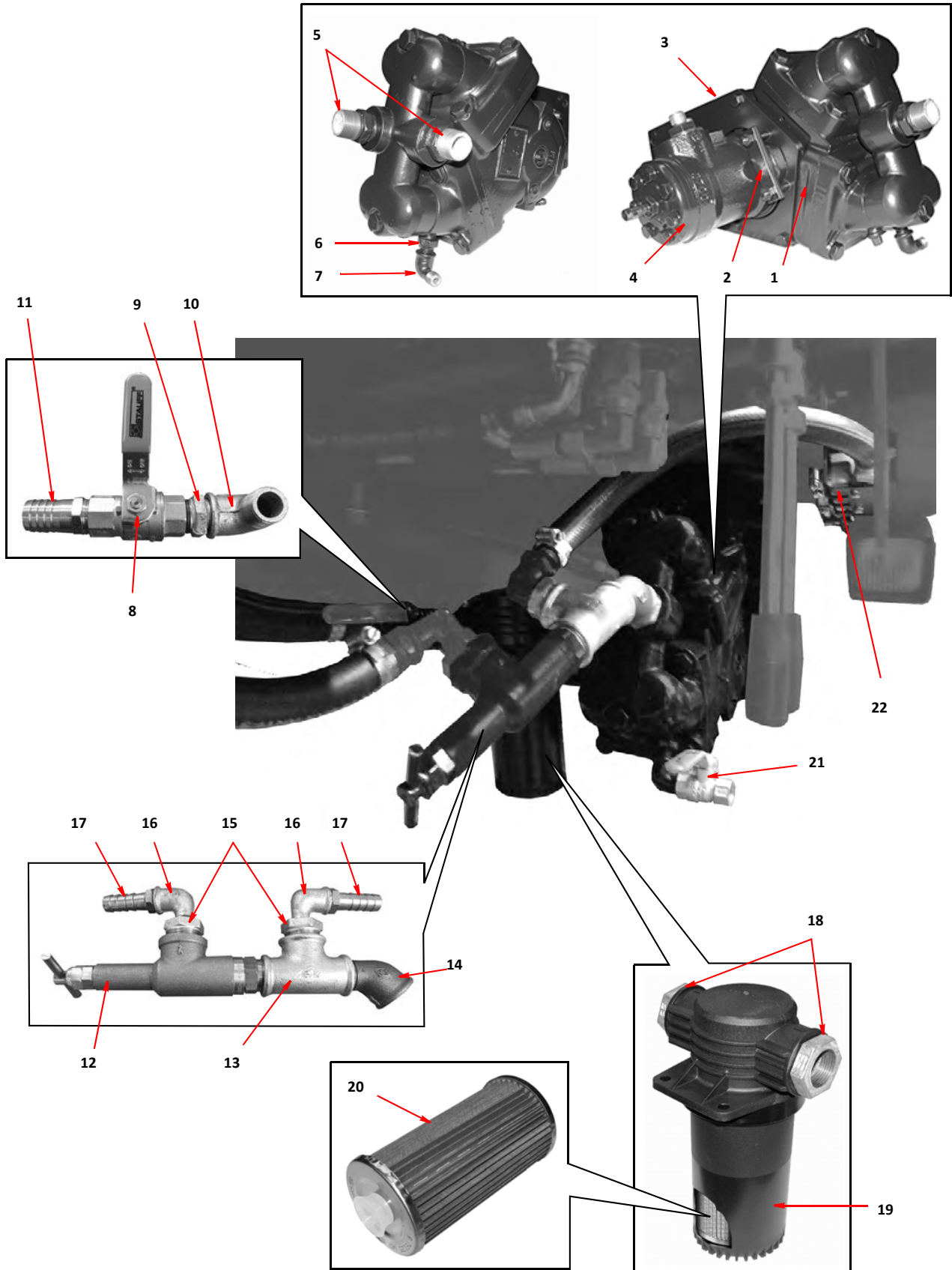
Item	Part Number	Quantity	Description
Low Pressure Water Pump Twin Diaphragm - Arrangement			
1	024385*	1	. Pump assembly, twin Page F25
NI	010903	1	. . Greasing point, straight, $\frac{1}{8}$ " BSP
NI	024241	1	. . Locating ring
2	024245	2	. . Clamp, water pump
3	034925	1	. . Plate, mounting, water pump
NI	014873	4	. . Spacer, 20mm OD x 11mm ID x 37mm
	011018	4	. . . Bolt, M8 x 90mm
	011073	4	. . . Nut, M8, Nyloc
NI	024908	4	. . Stud
4	013527	1	. Motor hydraulic, OMP50 Page F17
5	010916	2	. . Adaptor, galvanised, M/M, $\frac{3}{4}$ " BSP
6	010944	1	. . Adaptor, galvanised, M/M, $\frac{1}{4}$ " BSP
7	010910	1	. . Elbow, galvanised, M/F, $\frac{1}{4}$ " BSP
8	013757	1	. Valve, ball, $\frac{3}{4}$ " BSP
9	010916	1	. . Adaptor, galvanised, M/M, $\frac{3}{4}$ " BSP
10	010917	1	. . Elbow, galvanised, M/F, $\frac{3}{4}$ " BSP
11	010931	1	. . Hose tail, $\frac{3}{4}$ " BSP x 1 hose
12	010101	1	. Valve, pressure relief, $\frac{3}{4}$ " BSP
13	010919	1	. . Tee, galvanised, F/F/F, $\frac{3}{4}$ " BSP
14	003031	1	. . Elbow, galvanised, 45°, M/F, $\frac{3}{4}$ " BSP
15	010946	2	. . Adaptor, galvanised, M/F, $\frac{3}{4}$ " BSP x $\frac{3}{8}$ " BSP
16	010913	2	. . Elbow, galvanised, M/F, $\frac{3}{8}$ " BSP
17	010930	2	. . Hose tail, $\frac{3}{4}$ " BSP x $\frac{5}{8}$ " hose
18	000154	2	. Adaptor, galvanised, M/F, 1" x $\frac{3}{4}$ " BSP
19	023862	1	. . Filter, water (complete)
20	023863	1	. . . Filter, element
NI	023897	1	. . . O-ring
21	011743	1	. . Valve, ball, $\frac{1}{4}$ " BSP
22	038370	1	. Water valve assembly Page E17

Notes:-

*

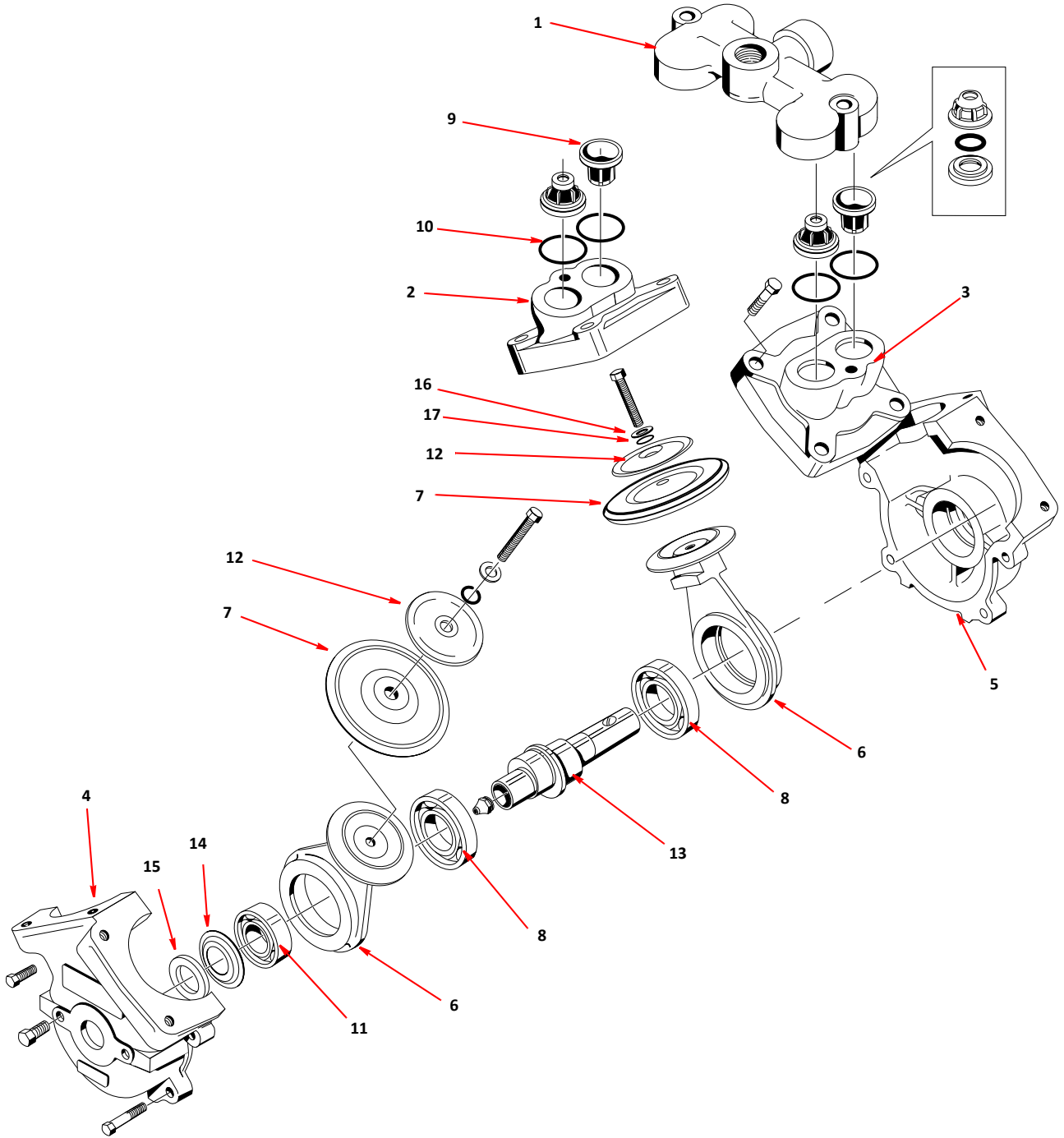
A service exchange unit is available by ordering part number 024385SE.

Please be aware that the bridge on these pumps as supplied may need to be turned through 180° dependant on chassis configuration. Refer to diagram on Page E16.



LOW PRESSURE WATER PUMP TWIN DIAPHRAGM ARRANGEMENT

<i>Item</i>	<i>Part Number</i>	<i>Quantity</i>	<i>Description</i>
Low Pressure Water Pump Twin Diaphragm - Components			
1	020460	1	. Pump bridge
2	020464	1	. Pump head (modified)
3	020463	1	. Pump head
4	020461	1	. Pump crankcase
5	020462	1	. Pump crankcase (modified)
6	014682	2	. . Conrod
7	013629	2	. . Diaphragm
8	013522	2	. . Bearing, ball 6007
9	013627	4	. . Poppet valve
10	013628	1	. . . Sealing ring
11	022726	1	. . Bearing, ball 6205
12	014882	2	. . Pump backing plate
13	014869	1	. . Pump eccentric
14	014881	1	. . Retainer
15	014879	1	. . . Felt washer
16	031560	2	. . Seal
17	031561	2	. . Washer



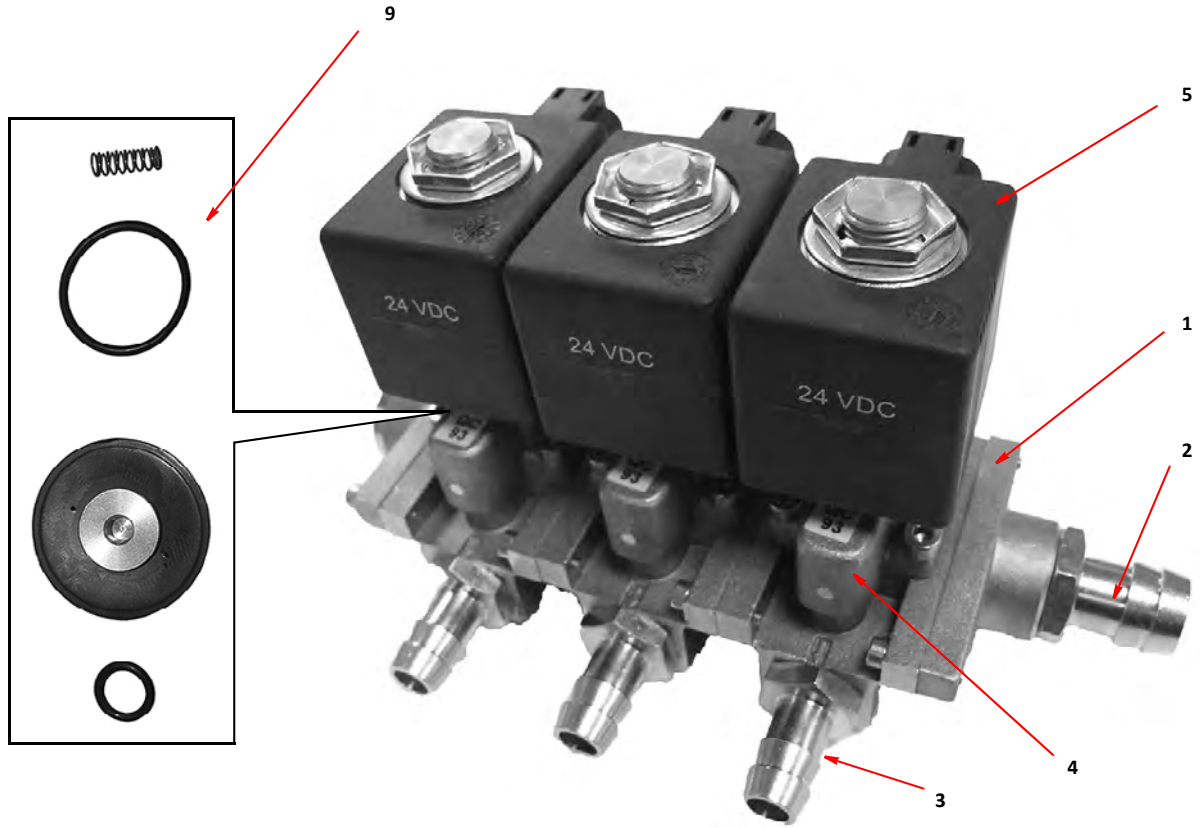
LOW PRESSURE WATER PUMP TWIN DIAPHRAGM COMPONENTS

<i>Item</i>	<i>Part Number</i>	<i>Quantity</i>	<i>Description</i>
Water Valve Assembly			
1	038370*	1	. Water Valve, 3 way, assembly Page E13
	000052	4	. . Setscrew, M5 x 16mm
	000155	4	. . Nut, M5, Nyloc
2	010930	1	. . . Hose tail, $\frac{3}{8}$ " BSP x $\frac{5}{8}$ " hose (roller & twin diaphragm pumps only)
NI	010517	1Clamp, hose, worm drive, 18-25mm
3	010922	3	. . . Hose tail, $\frac{1}{4}$ " BSP x $\frac{3}{8}$ " hose
NI	010516	3 Clamp, hose, worm drive, 11-16mm
NI	010950	AR Hose, plastic reinforced, $\frac{3}{8}$ " bore
4	037969	3	. . Solenoid, complete body assembly, BSV122NC24D
5	037059	3	. . Coil, 24 Volt, 8 Watt, BVC24D
6	038384	1	. . Bracket, mounting, water valve assembly
	011001	4	. . . Setscrew, M6 x 16mm
	011071	4	. . . Nut, M6, Nyloc
7	038385	1	. . Cover, water valve assembly
8	000248	2	. . . Knob, plastic, brass insert, M8
9	034624	AR	. Repair kit, BSVRK

Notes:-

*

The water valve assembly is shown as 3 way and hence all associated parts are based on that, but depending on actual configuration of the sweeper may contain more or less valves and hence associated components.



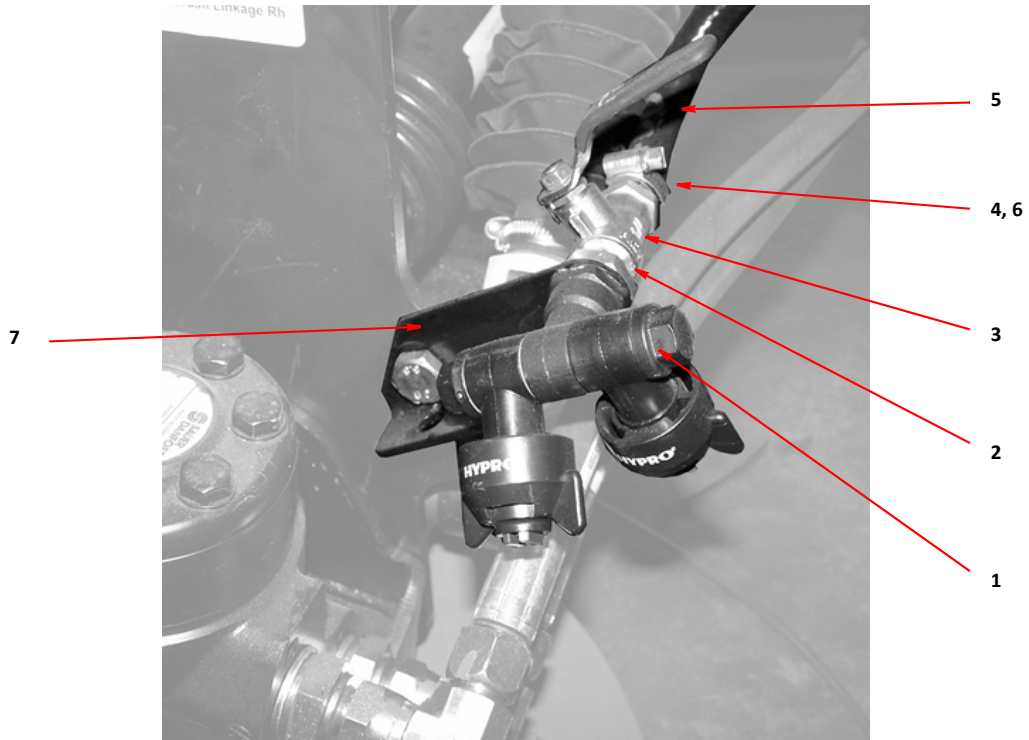
WATER VALVE ASSEMBLY

<i>Item</i>	<i>Part Number</i>	<i>Quantity</i>	<i>Description</i>
Side brush Low Pressure Water Spray Nozzle			
1	036044	1	. Spray jet assembly complete Page D1
	030746	2	. . Spray body cap
	030748	2	. . . Spray jet
	030633	2	. . . Filter
	030636	2	. . . Washer, rubber
2	011199	1 Adaptor, M/M, $\frac{3}{8}$ " x $\frac{1}{4}$ " BSP
3	011743	1 Valve, ball, $\frac{1}{4}$ " BSP
4	010922	1 Hose tail
5	010950	AR Hose, water
6	010516	1 Clamp, hose, worm drive, 11 - 16mm
7	036043	1	. . Bracket, double spray jet, LH
NI	036042	1	. . Bracket, double spray jet, RH
	011031	1	. . . Bolt, M10 x 25mm
	011075	1	. . . Nut, M10 Nyloc

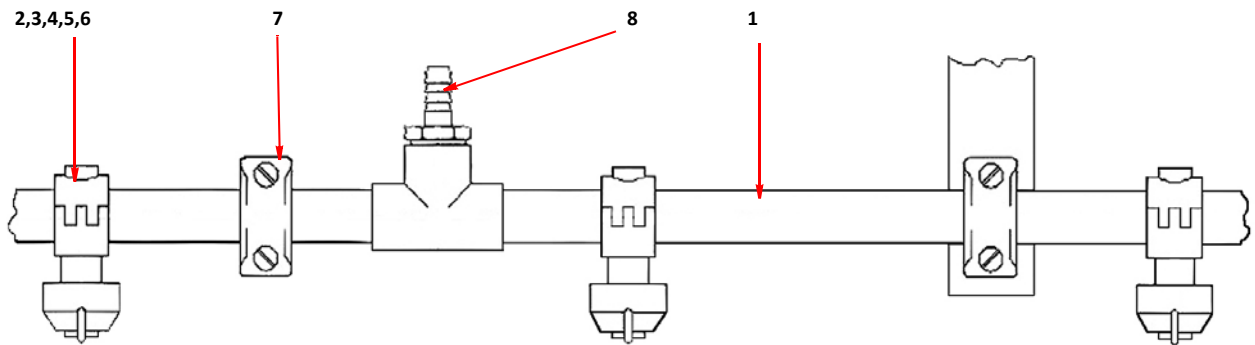
<i>Item</i>	<i>Part Number</i>	<i>Quantity</i>	<i>Description</i>
Front Low Pressure Spray Bar			
1	030323*	1	. Low-pressure spray bar
2	030632	7	. . Jet
3	030633	7	. . Filter
4	030634	7	. . Nozzle holder
5	030635	7	. . Cap, jet
6	030636	7	. . Washer, rubber
7	031338	AR	. . Clamp
8	031339	1	. . Hose tail

Notes:-

- * Mounting brackets for the spray bar are dependant on the vehicle being fitted to. Please contact your local Scarab Dealer or the Scarab Parts Department regarding these parts.



SIDE BRUSH LOW PRESSURE SPRAY NOZZLE

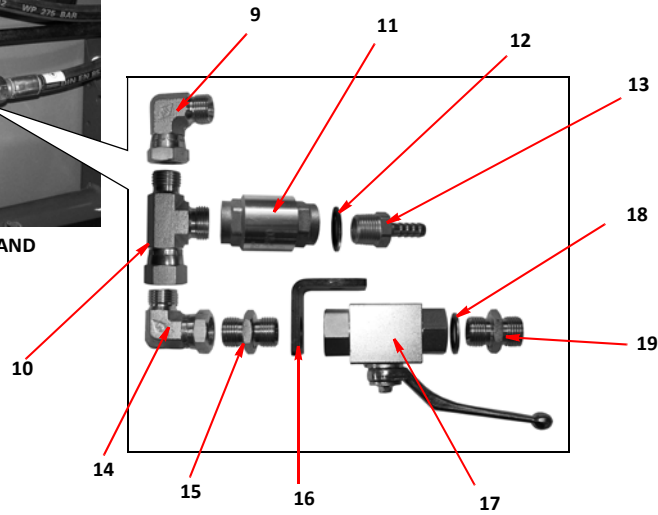
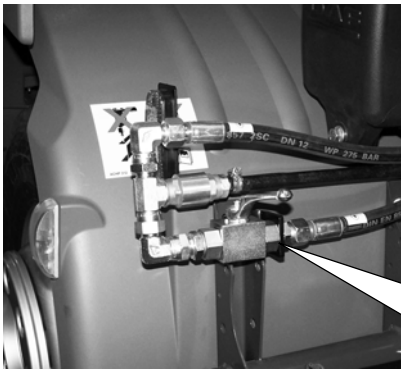
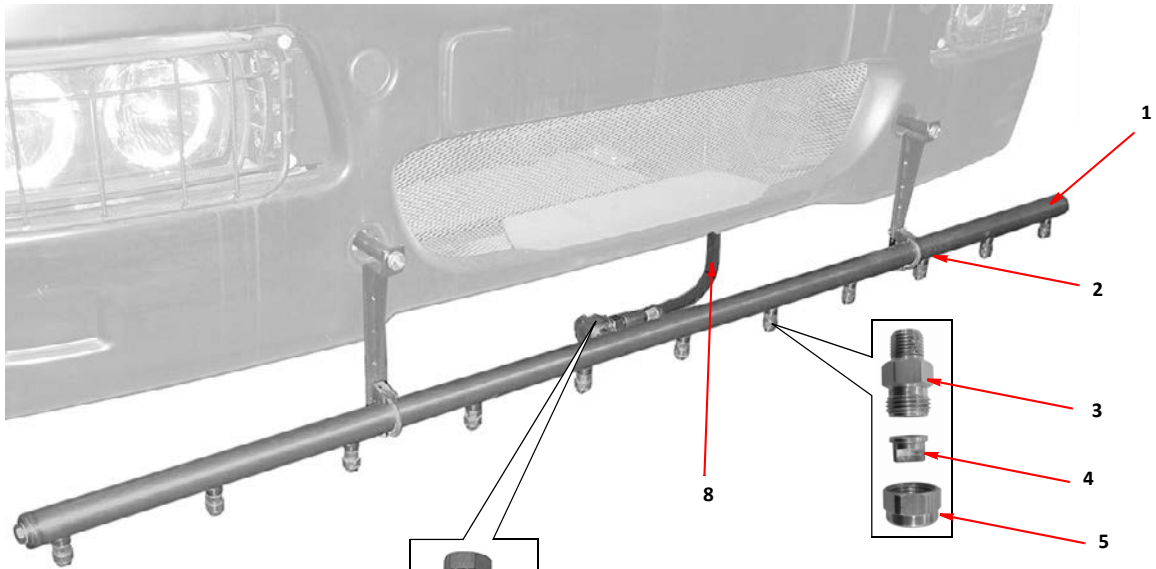


FRONT LOW PRESSURE SPRAY BAR

Item	Part Number	Quantity	Description
Combined High & Low Pressure Front Spray Bar Arrangement			
1	020405*	1	. Spray bar, stainless steel
2	014983	AR	. . U-Clamp
3	010112	11	. . Nozzle body
4	023377	11	. . . Jet
5	030951	11	. . . Nozzle cap
6	011188	1	. . Banjo elbow, $\frac{1}{2}$ " BSP (complete)
7	011154	2	. . . Seal, Dowty, $\frac{1}{2}$ " BSP
8	001067	1	. . Hose, 4500mm long, straight ends, $\frac{1}{2}$ " BSP (to front spray bar)
9	011173	2	. . Elbow, swivel, M/F, $\frac{1}{2}$ " BSP
10	011182	1	. . . Tee, swivel, M/M/F, $\frac{1}{2}$ " BSP
11	003033	1 Valve, non-return, $\frac{1}{2}$ " BSP
12	011154	4 Seal, Dowty, $\frac{1}{2}$ " BSP
13	003034	1 Hose tail, $\frac{1}{2}$ " BSP x $\frac{3}{8}$ " hose
NI	010958	AR Hose, plastic re-enforced, $\frac{3}{8}$ " bore (from water valve)
NI	010516	1 Clamp, hose, worm drive, 11-16mm
14	011173	2 Elbow, swivel, M/F, $\frac{1}{2}$ " BSP
15	011160	1 Adaptor, M/M, $\frac{1}{2}$ " BSP
16	025007	1 Bracket, angle, valve support
17	023176	1 Valve, ball, F/F, $\frac{1}{2}$ " BSP
18	011154	4 Seal, Dowty, $\frac{1}{2}$ " BSP
19	011160	1 Adaptor, M/M, $\frac{1}{2}$ " BSP
NI	001068	1 Hose, 4000mm long, straight ends, $\frac{1}{2}$ " BSP (from H-P pump)

Notes:-

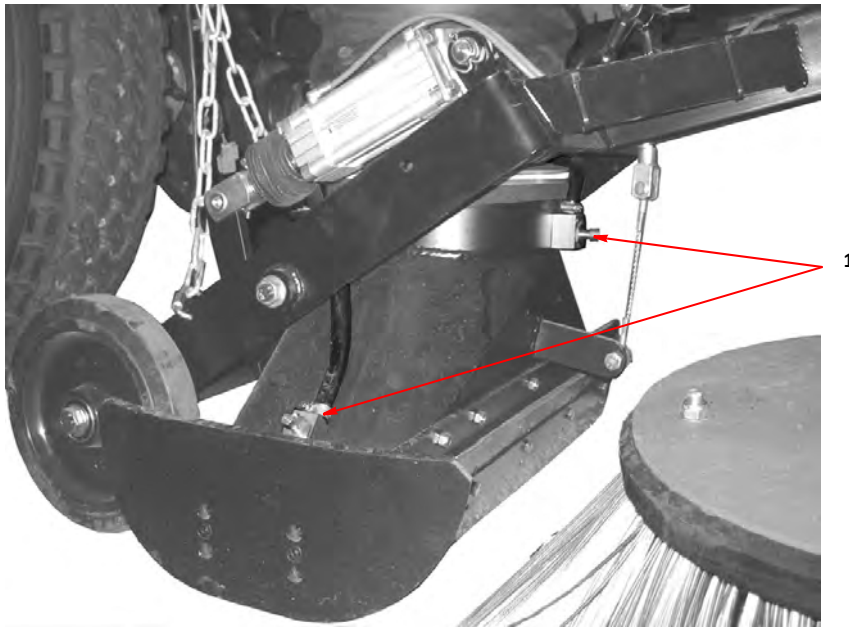
- * Mounting brackets for the spray bar are dependant on the vehicle being fitted to. Please contact your local Scarab Dealer or the Scarab Parts Department regarding these parts.



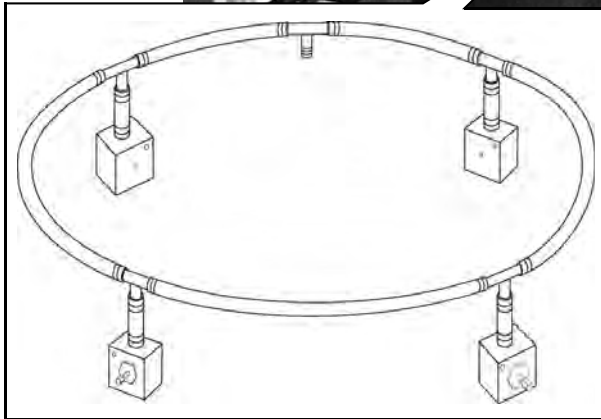
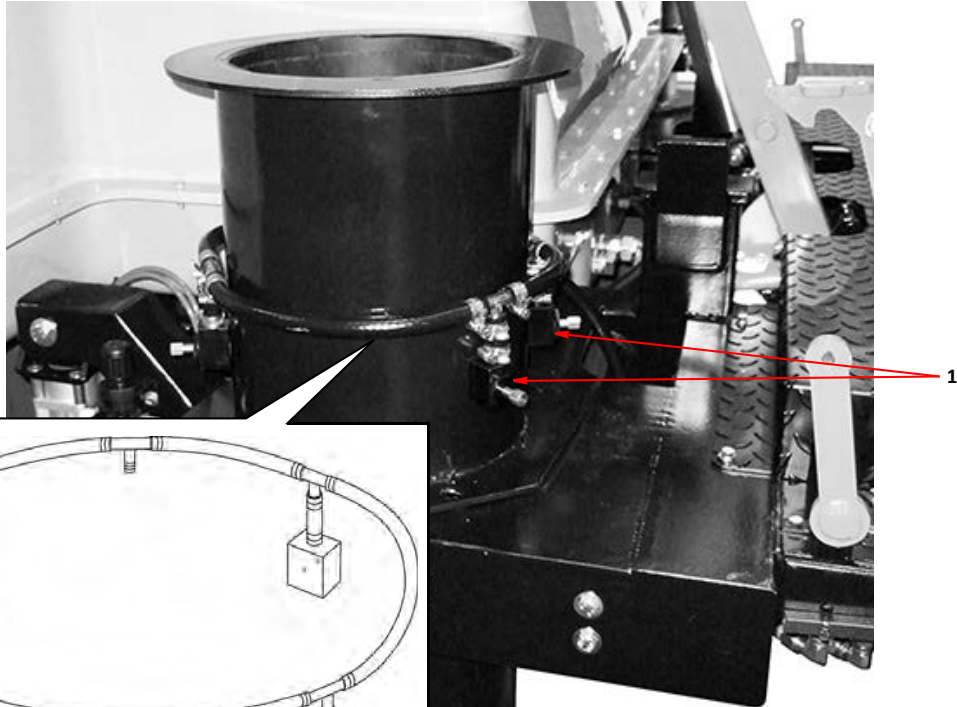
COMBINED HIGH & LOW PRESSURE FRONT SPRAY BAR ARRANGEMENT

<i>Item</i>	<i>Part Number</i>	<i>Quantity</i>	<i>Description</i>
Suction Nozzle Box - Dust Suppression			
1	013360	4	. Jet assembly
	011001	4	. . Bolt, M6 x 16mm
	003000	3	. . . Tee, brass, $\frac{3}{8}$ "
	010950	AR Hose, plastic reinforced, $\frac{3}{8}$ "
	010516	11 Clamp, hose, worm drive, 11-16mm

<i>Item</i>	<i>Part Number</i>	<i>Quantity</i>	<i>Description</i>
Suction Tube - Dust Suppression			
1	013360	4	. Jet assembly
	011001	4	. . Bolt, M6 x 16mm
	003000	5	. . . Tee, brass, $\frac{3}{8}$ "
	010950	AR Hose, plastic reinforced, $\frac{3}{8}$ "
	010516	18 Clamp, hose, worm drive, 11-16mm

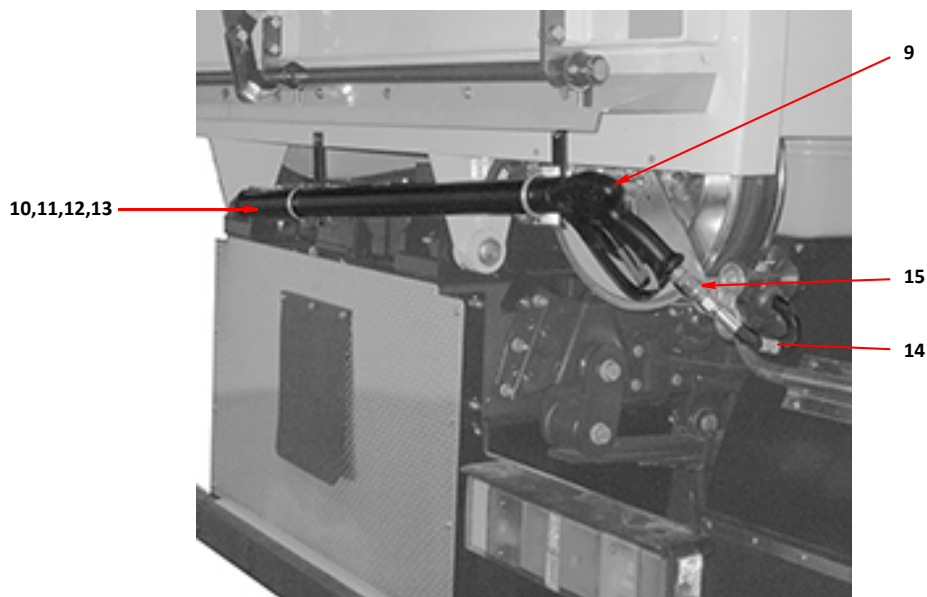
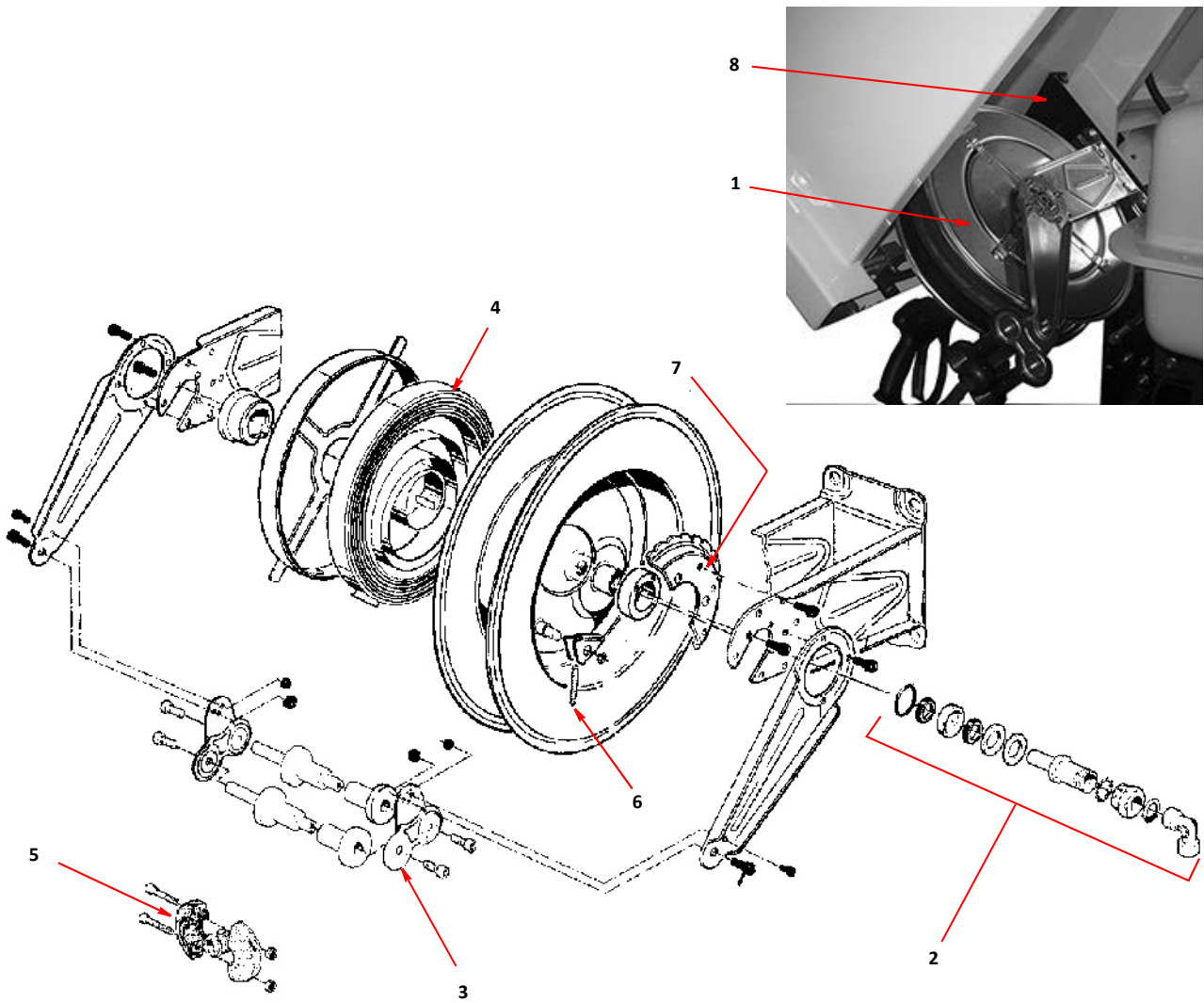


SUCTION NOZZLE BOX DUST SUPPRESSION



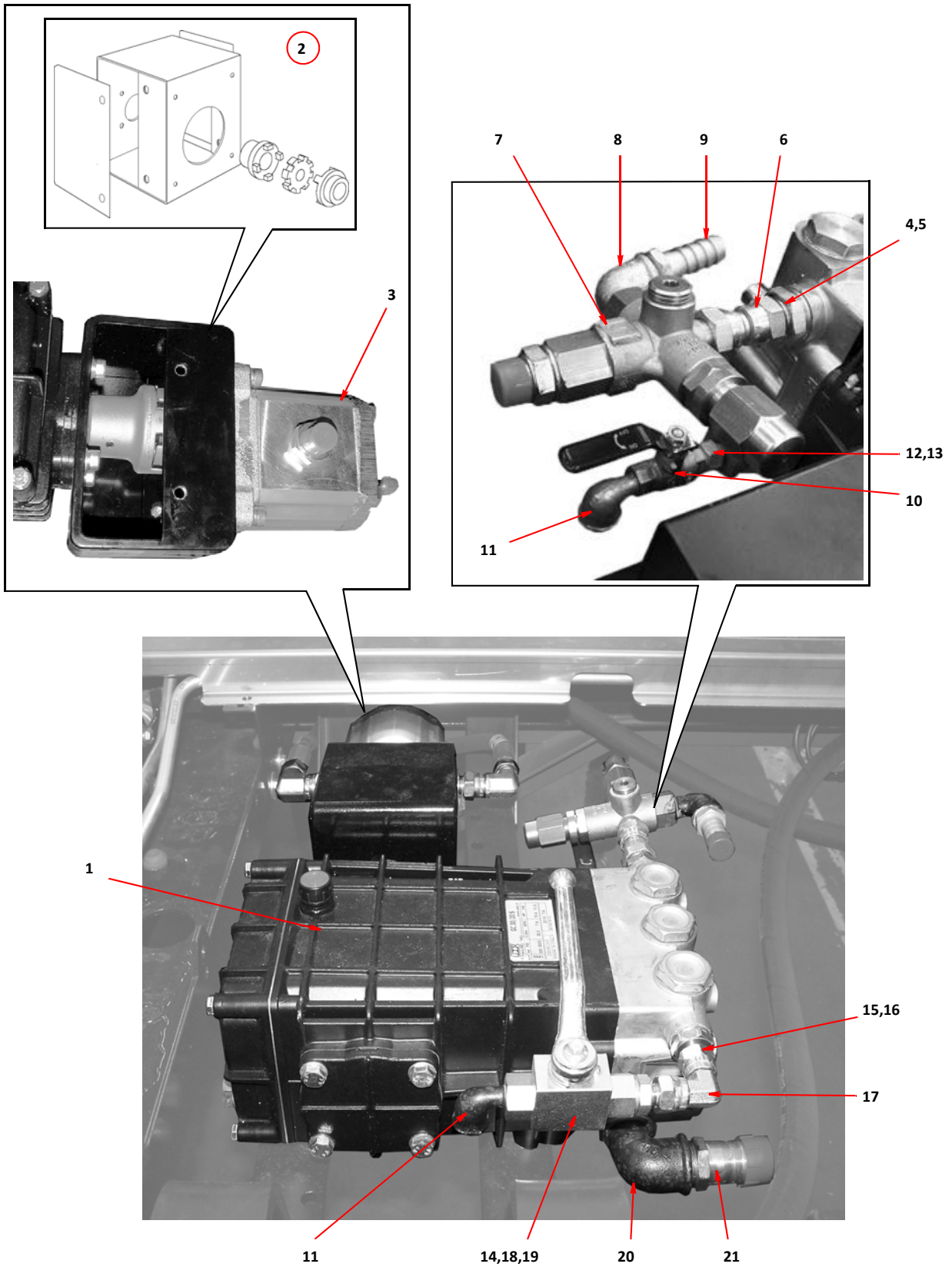
SUCTION TUBE DUST SUPPRESSION

<i>Item</i>	<i>Part Number</i>	<i>Quantity</i>	<i>Description</i>
Automatic Hose Reel and Lance Assembly			
1	020451	1	. Automatic hose reel assembly (less hose)
2	024230	1	. . Elbow, swivel assembly
3	025238	1	. . Roller assembly
4	026753	1	. . Coiled spring
5	026217	1	. . Clamp
6	026754	1	. . Spring, tensioning
7	030570	1	. . Ratchet
8	034390	1	. . Bracket, hose reel
9	010748	1	. . Hand lance
10	025473	1	. . Holder, hand lance
11	012901	2	. . . U-clamp, 2"
12	032265	1 Bracket, lance holder, short
13	032266	1 Bracket, lance holder, long
14	010601	13m	. . Hose, rubber, reinforced
15	011159	1	. . Adaptor, M/M, $\frac{3}{8}$ " BSP



AUTOMATIC HOSE REEL & LANCE ASSEMBLY

Item	Part Number	Quantity	Description
High Pressure Water Pump 30 LPM - Arrangement			
1	039940	1	. Pump, High-Pressure, 30 litres/minute - 100 bar Page F23
	011031	4	. . Setscrew, M10 x 25mm
	011095	4	. . Spring washer, M10
2	036654	1	. . Drive box kit (with cover plate)
	000017	4	. . . Screw, socket cap head, M8 x 30mm
	011093	4	. . . Spring washer, M8
3	025373	1	. . Motor, hydraulic, 19cc (reversible), Page F17
NI	011154	2	. . . Seal, Dowty $\frac{1}{2}$ " BSP
NI	011160	1 Adaptor, M/M, $\frac{1}{2}$ " BSP
NI	011167	1 Adaptor, M/M, $\frac{1}{2}$ " BSP x $\frac{1}{2}$ " BSP
	000017	4	. . . Screw, socket cap head, M8 x 30mm
	011093	3	. . . Spring washer, M8
4	011159	1	. . . Adaptor, M/M, $\frac{3}{8}$ " BSP
5	011153	1 Seal, Dowty, $\frac{3}{8}$ " BSP
6	011214	1	. . . Adaptor, F/F, $\frac{3}{8}$ " BSP
7	010599	1	. . Valve unloader
8	010913	1	. . . Elbow, galvanised, M/F, $\frac{3}{8}$ " BSP
9	010930	1	. . . , Hose tail, $\frac{3}{8}$ " BSP x $\frac{5}{8}$ " hose
10	011743	1	. . . Valve, ball, pump low pressure drain, $\frac{1}{4}$ " BSP
11	010910	2 Elbow, galvanised, M/F, $\frac{1}{4}$ " BSP
12	003006	1	. . . Adaptor, galvanised, M/F, $\frac{3}{4}$ " BSP x $\frac{1}{4}$ " BSP
13	010944	1	. . . Adaptor, galvanised, M/M, $\frac{1}{4}$ " BSP
14	011257	1	. . . Valve, ball, pump high pressure drain, $\frac{1}{4}$ " BSP
15	011199	1 Adaptor, M/M, $\frac{3}{8}$ " BSP x $\frac{1}{4}$ " BSP
16	011153	1 Seal, Dowty, $\frac{3}{8}$ " BSP
17	011171	1 Elbow, swivel, F/F, $\frac{1}{4}$ " BSP
18	011152	1 Seal, Dowty, $\frac{1}{4}$ " BSP
19	011158	1 Adaptor, M/M, $\frac{1}{4}$ " BSP
20	010918	1	. . . Elbow, galvanised, M/F, $\frac{3}{4}$ " BSP
21	010931	1 Hose tail, $\frac{3}{4}$ " BSP x 1" hose

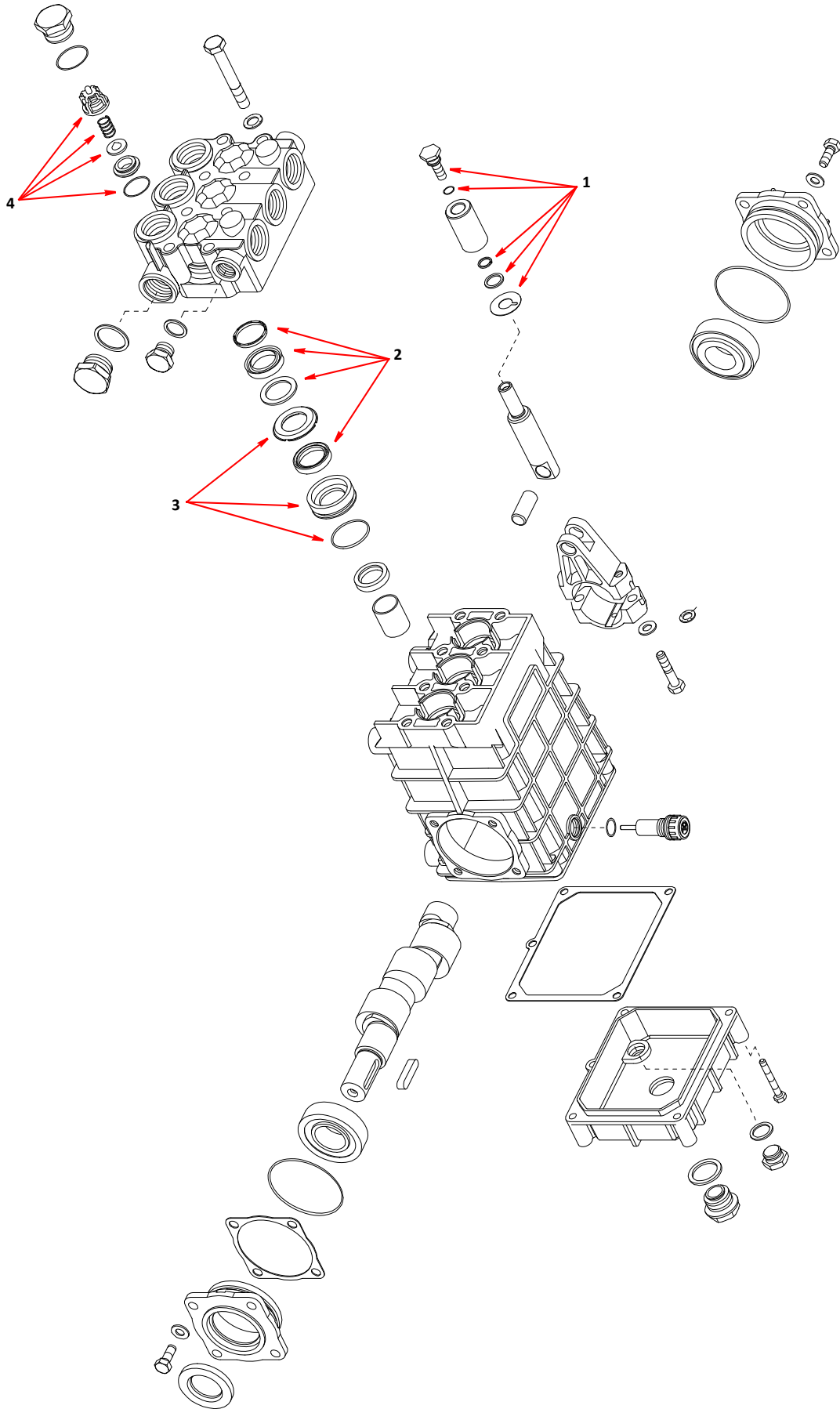


HIGH PRESSURE WATER PUMP 30 LPM - ARRANGEMENT

<i>Item</i>	<i>Part Number</i>	<i>Quantity</i>	<i>Description</i>
			High Pressure Water Pump 30 LPM - Seal and Valve Kits
1	*	1	. Seal kit (KIT 6)
2	*	1	. Water seal kit (KIT 11)
3	*	1	. Water seal kit (KIT 18)
4	*	1	. Valve kit Including (KIT 31)

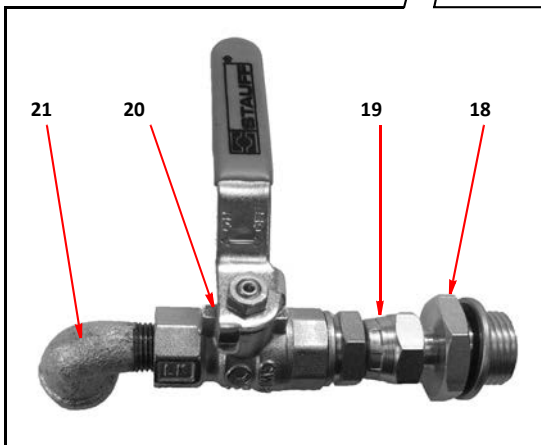
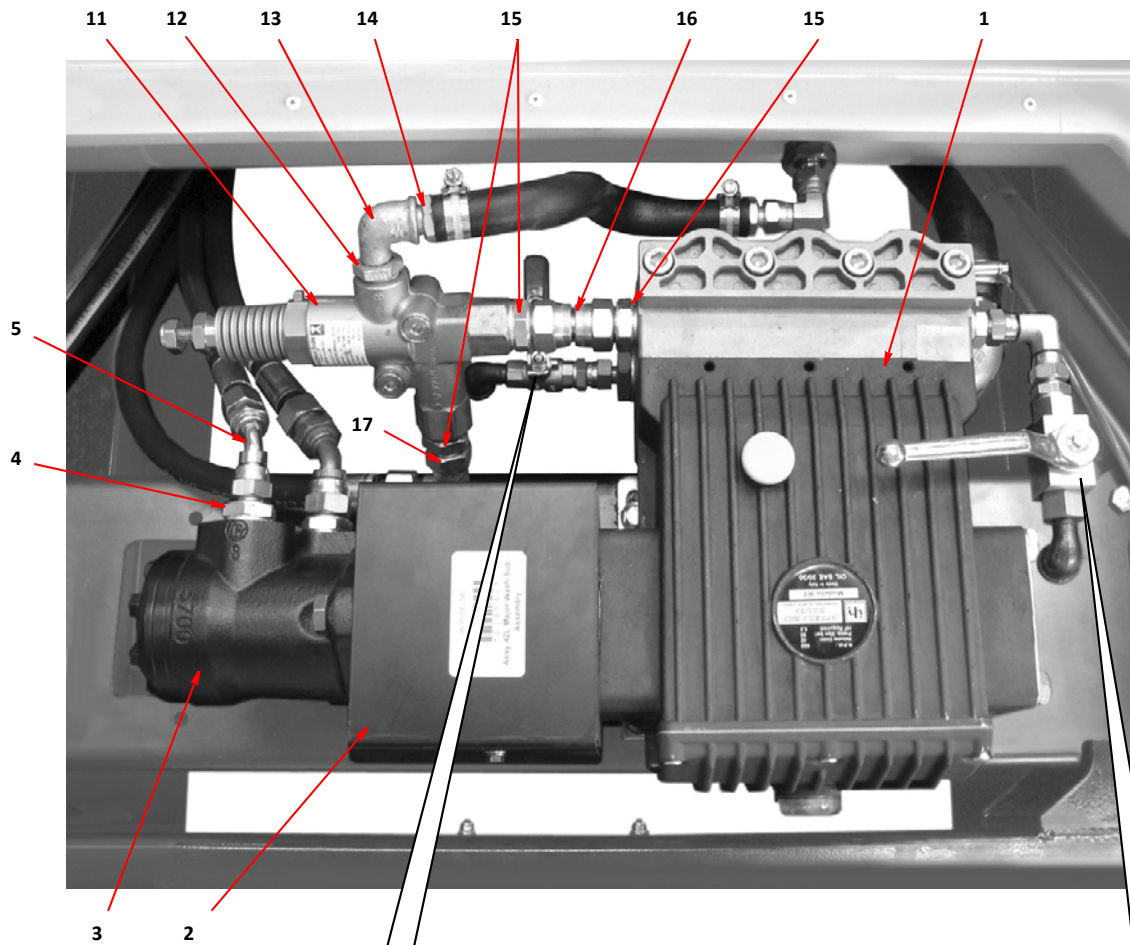
Notes:-

* To Be Advised. Please contact the Scarab Parts Department for confirmation of required kits and parts.

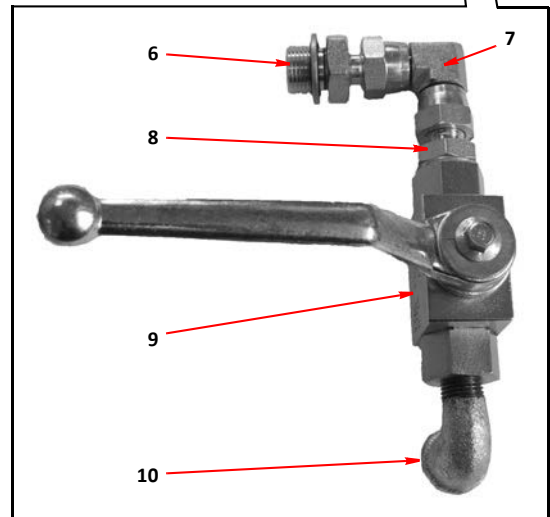


HIGH PRESSURE WATER PUMP 30 LPM - SEAL AND VALVE KITS

Item	Part Number	Quantity	Description
High Pressure Water Pump 42 LPM - Arrangement			
1	020308	1	. Pump, high-pressure, 42 litres/minute
NI	020311	1	. . Coupling half, 1 bore
NI	020309	1	. . Coupling half, 35 bore
NI	020312	1	. . Sleeve, coupling
2	020643	1	. . . Guard, coupling
3	013527	1	. . Motor, hydraulic, OMP50 Page F17
4	011167	2	. . . Adaptor, $\frac{1}{2}$ " BSP x $\frac{3}{8}$ " BSP
NI	011154	1 Seal, Dowty, $\frac{1}{2}$ " BSP
5	011172	2	. . . Elbow, swivel, M/F, $\frac{3}{8}$ " BSP
NI	020347	1	. . . Mounting bracket, motor
6	011199	1	. . Adaptor, $\frac{3}{8}$ " BSP x $\frac{1}{4}$ " BSP
NI	011153	1	. . . Seal, Dowty, $\frac{3}{8}$ " BSP
7	011169	1 Elbow, swivel, F/F, $\frac{1}{4}$ " BSP
8	011158	1 Adaptor, M/M, $\frac{1}{4}$ " BSP x $\frac{1}{4}$ " BSP
NI	011152	1 Seal, Dowty, $\frac{1}{4}$ " BSP
9	011257	1 Valve, ball, pump high-pressure drain, $\frac{1}{4}$ " BSP
10	010910	1 Elbow, galvanised, M/F, $\frac{1}{4}$ " BSP
11	022739	1	. . Valve, unloader, ($\frac{1}{2}$ " BSP ports)
12	010914	1	. . . Adaptor, reducing, $\frac{1}{2}$ " BSP x $\frac{3}{8}$ " BSP
13	010942	1 Elbow, galvanised, M/F, $\frac{1}{2}$ " BSP
14	010930	1 Hose tail, $\frac{3}{8}$ " BSP x $\frac{5}{8}$ " BSP
15	011160	3	. . . Adaptor, M/M, $\frac{1}{2}$ " BSP x $\frac{1}{2}$ " BSP
NI	011154	3 Seal, Dowty, $\frac{1}{2}$ " BSP
16	011178	1 Adaptor, F/F, $\frac{1}{2}$ " BSP
17	011173	1	. . . Elbow, swivel, F/F, $\frac{1}{2}$ " BSP
18	003006	1	. . Adaptor, galvanised, M/F, $\frac{3}{4}$ " BSP x $\frac{1}{4}$ " BSP
	011155	1	. . . Seal, Dowty, $\frac{3}{4}$ " BSP
19	010944	1 Adaptor, galvanised, M/M, $\frac{1}{4}$ " BSP
20	011743	1 Valve, ball, pump low pressure drain, $\frac{1}{4}$ " BSP
21	010910	2 Elbow, galvanised, M/F, $\frac{1}{4}$ " BSP



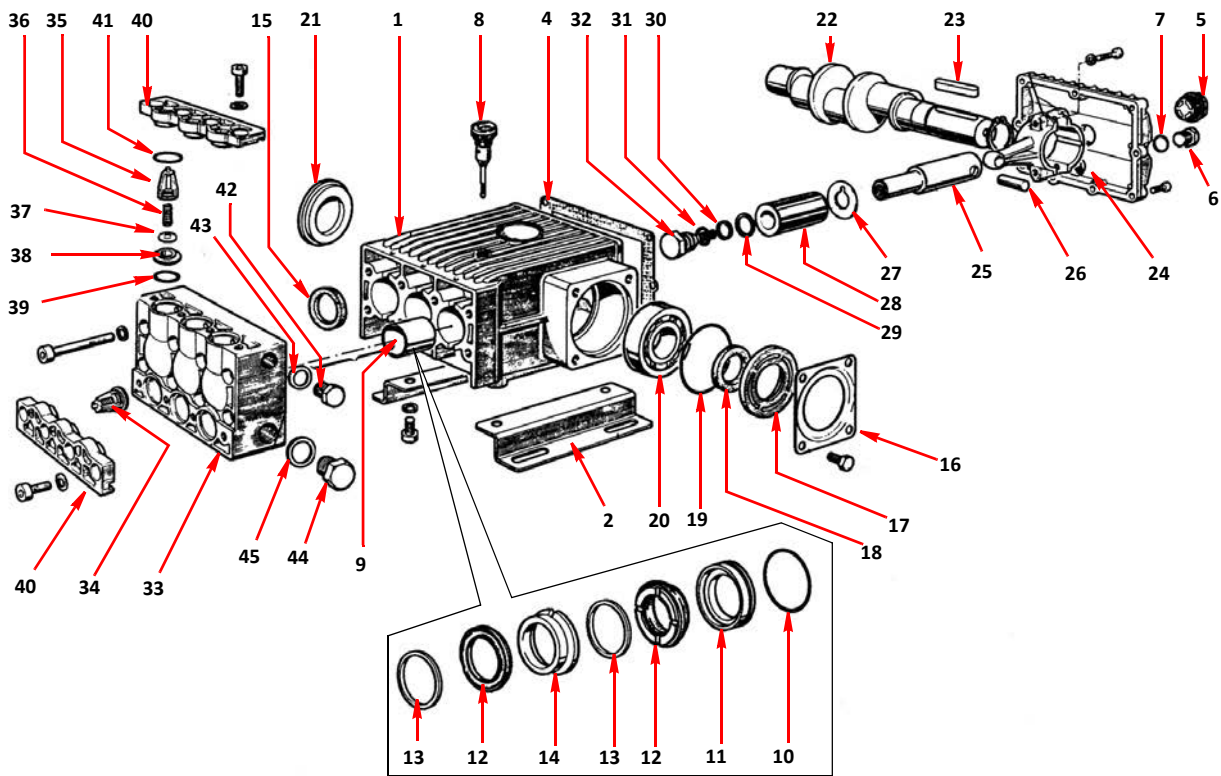
LOW PRESSURE DRAIN VALVE



HIGH PRESSURE DRAIN VALVE

HIGH PRESSURE WATER PUMP 42 LPM - ARRANGEMENT

<i>Item</i>	<i>Part Number</i>	<i>Quantity</i>	<i>Description</i>
High Pressure Water Pump 42 LPM - Components			
1	022110	1	Crankcase
2	022136	2	. Foot
	022139	4	. . Bolt
	022138	4	. . Washer
3	022119	1	. Rear cover
	022126	9	. . Bolt
4	022112	1	. . Gasket, rear cover
5	022124	1	. . Oil sight glass
6	022125	1	. . Cap
7	022123	1	. . . O-Ring
8	022111	1	. Dipstick
9	022137	3	. Cylinder guide
10	022144	3	. O-Ring
11	022145	3	. Oil seal
12	022146	6	. Oil seal
13	022147	6	. Oil seal
14	022148	3	. Collar
15	022109	3	. Oil seal
16	022131	2	. Crankcase cover, bearing assembly
	022130	8	. . Bolt
17	022132	1	. Spacer
18	022133	1	. Seal
19	022134	2	. O-Ring
20	022135	2	. Bearing
21	022151	1	. Spacer
22	022118	1	. Crankshaft
23	022149	1	. . Key
	022150	1	. . Circlip
24	022120	3	. . Connecting rod
25	022128	3	. . . Piston guide
26	022127	3 Pin
27	022129	3 Washer
28	022117	3 Piston
29	022116	3 Washer
30	022115	3 Washer
31	022114	3 O-Ring
32	022113	3 Piston bolt
33	022143	1	. Head
	022098	8	. . Bolt, M10 x 80mm
	022099	8	. . Washer
34	022105	6	. . Valve, complete
35	022104	6	. . . Valve
36	022103	6	. . . Spring
37	022102	6	. . . Valve ring
38	022101	6	. . . Valve seat
39	022100	6	. . . O-Ring
40	022107	2	. . Cover
	022108	4	. . . Bolt
	022099	4	. . . Washer
41	022106	6	. . . O-Ring
42	022125	2	. . Cap
43	022142	1	. . . Washer
44	022140	1	. . Plug
45	022141	1	. . . Washer



HIGH PRESSURE WATER PUMP 42 LPM - COMPONENTS

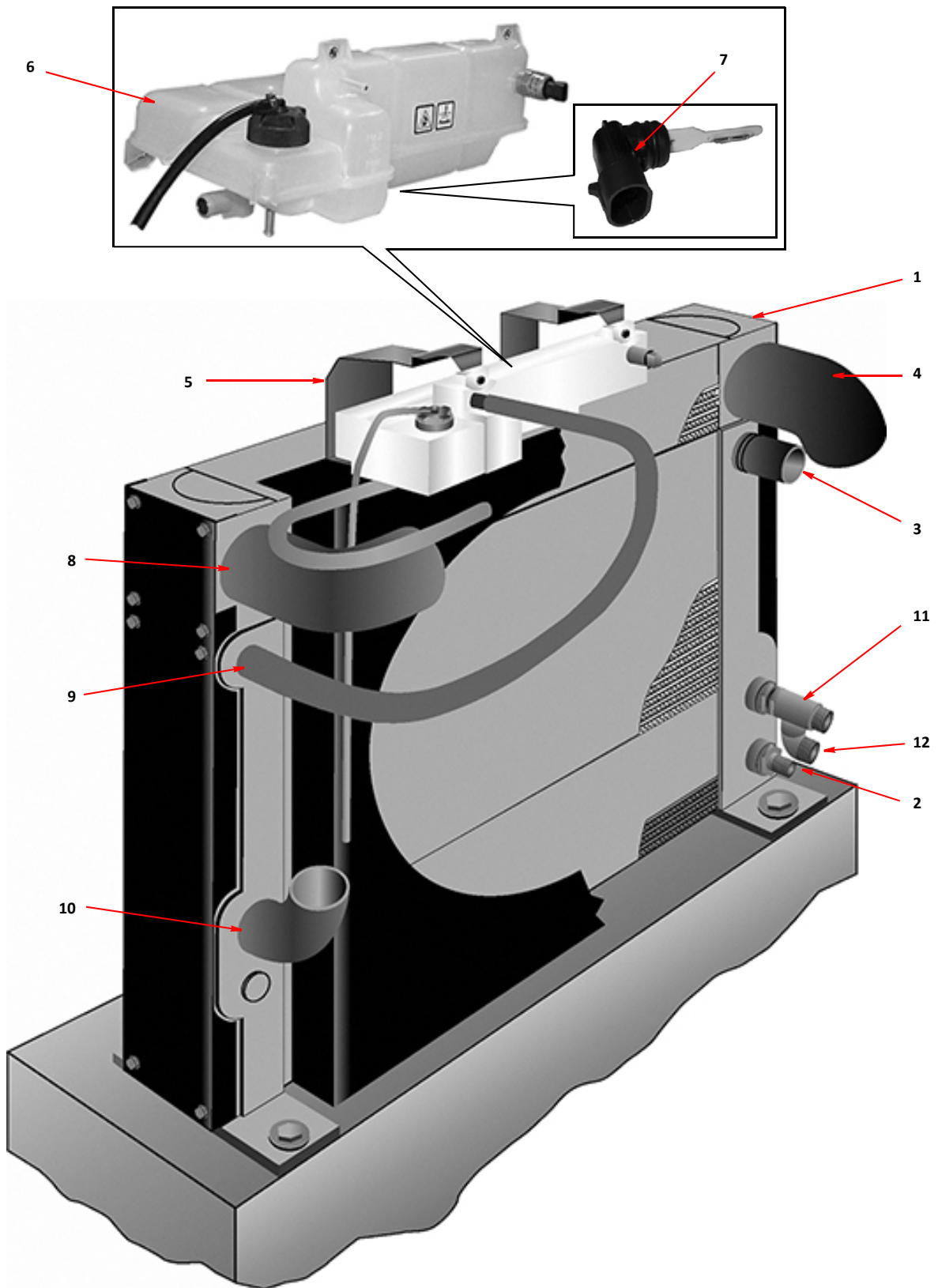
<i>Item</i>	<i>Part Number</i>	<i>Quantity</i>	<i>Description</i>
NI	022152	1	High Pressure Water Pump 42 LPM - Seal Kits
NI	022153	1	. Kit No 32 , Comprising 2 x Item 18
NI	022154	1	. Kit No 37 , Comprising 3 x Item 15
NI	022155	1	. Kit No 38 , Comprising 3 x Item 12
NI	022156	1	. Kit No 39 , Comprising 1 x Items 10, 11, 12, 13 & 14
NI	022157	1	. Kit No 40 , Comprising 3 x Items 10 & 11
NI	022158	1	. Kit No 41 , Comprising 6 x Item 13
NI	022159	1	. Kit No 42 , Comprising 6 x Item 14
NI	022160	1	. Kit No 62 , Comprising 6 x Items 35, 36, 37, 38 & 39
NI	022160	1	. Kit No 74 , Comprising 3 x Items 29, 30, 31 & 32

HYDRAULIC SYSTEM SECTION F

TABLE OF CONTENTS

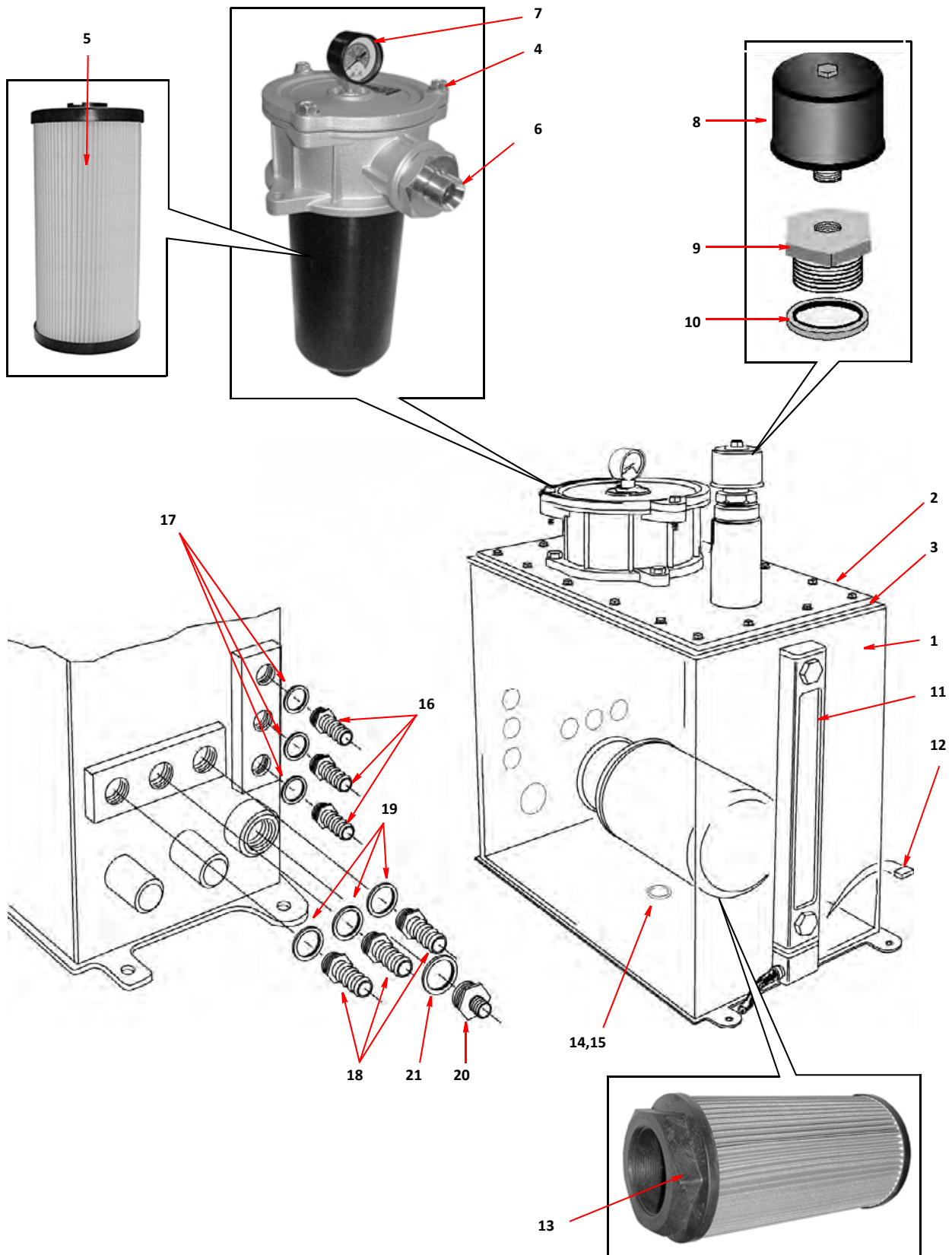
<i>Assembly/Description</i>	<i>Page</i>
Combined Radiator/Oil Cooler	1
Hydraulic Oil Tank Arrangement	3
Valve Block - Main Control	5
Valve Block - Hopper Controls	7
Valve Block - Hopper Controls	9
Hopper and Rear Door, Hydraulic Operating Levers	11
Gear and Suction Fan Pump Arrangement	13
Suction Fan Motor Assembly	15
Low Pressure Water Pump Twin Diaphragm - Arrangement.	15
Hydraulic Motor, High Pressure Water Pump 30 LPM.	17
Hydraulic Motor, OMP50	17
Low Pressure Water Pump	17
High Pressure Water Pump 42 LPM	17
Hydraulic Motor, OMP100 - Wide Sweep	17
Hydraulic Motor, OMP200 - Side Brush.	17
Hopper Lift Ram Assembly	19
Rear Door Open/Close Ram Assembly.	19
Side Brush Lift Ram Assembly.	19
Auxiliary Hand Pump	21
Filter High-Pressure	21
Hydraulic Circuit - Hopper, Rear Door and HP Pump	23
Hydraulic Circuit - Brushes, LP Water and Suction Fan	25
Clamps for Steel Piping	27

<i>Item</i>	<i>Part Number</i>	<i>Quantity</i>	<i>Description</i>
Combined Radiator/Oil Cooler			
1	033711	1	. Combined radiator/oil cooler matrix Page B1
	000110	4	. . Bolt, M12 x 80mm
	012969	8	. . Washer, rubber
	013448	4	. . Washer
	011077	4	. . Nut, M12, Nyloc
2	011235	1	. . Hose Tail, 1/2" BSP x 16mm hose
NI	002074	2	. . . Adaptor, 26mm x 1/2" BSP
NI	002082	2 Seal, Dowty 26mm
3	033593	1	. . Hose, rubber (moulded)
	003007	1	. . . Clamp, worm-drive, 35-50mm
4	033590	1	. . Hose, rubber (moulded)
	005112	2	. . . Clamp, worm-drive, 60-80mm
5	035537	1	. . Bracket, expansion tank, (pre WK8239)
NI	040605	2	. . Bracket, expansion tank (WK8239 onwards)
	039932	4	. . . Fastener, anti-vibration, M8
	011012	4 Setscrew, high tensile, M8 x 30mm
6	034954	1	. Expansion tank Page B1
7	037226	1	. . Fluid level sensor, located in bottom of expansion tank Page H5
8	033591	1	. . Hose, rubber (moulded)
	005112	2	. . . Clamp, worm-drive, 60-80mm
9	010516	AR	. . Hose, rubber, 8mm
NI	010922	1	. . Hose Tail, 1/4" BSP x 3/8" hose
	010517	2	. . . Clamp, worm-drive, 11-16mm
10	033592	1	. . Hose, rubber (moulded)
	012927	1	. . . Clamp, worm-drive, 40-55mm
11	011182	1	. . Tee, F/M/M, 1/2" BSP
12	011173	1	. . . Elbow, M/F, 1/2" BSP



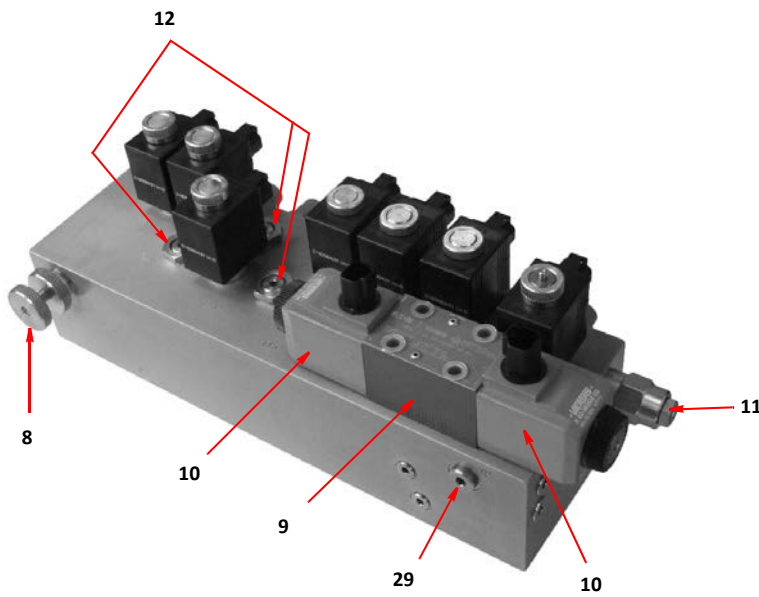
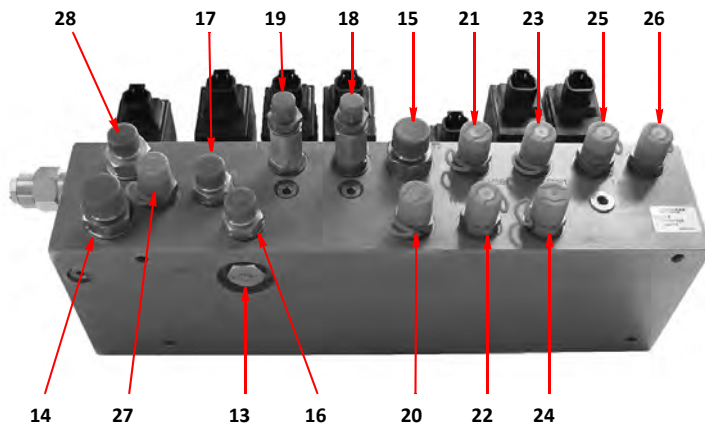
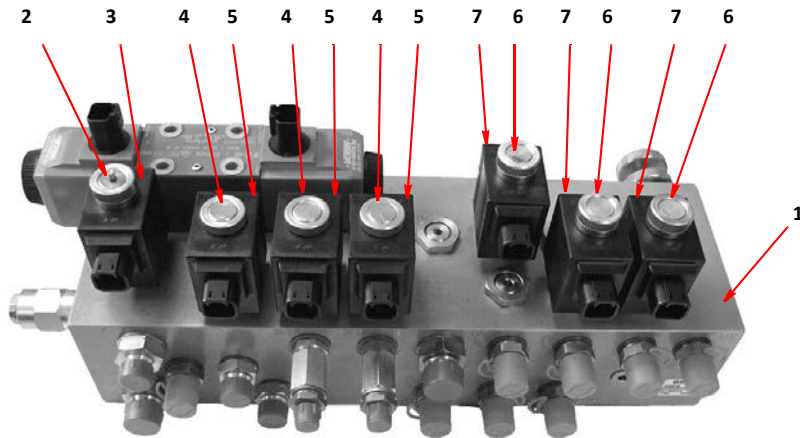
COMBINED RADIATOR/OIL COOLER

Item	Part Number	Quantity	Description
Hydraulic Oil Tank Arrangement			
1	034328	1	. Tank, hydraulic oil Page C1, F23
	011031	4	. . Setscrew, M10 x 30mm
	011075	4	. . Nut, M10, Nyloc
2	034329	1	. . Lid, oil tank
3	034602	1	. . . Gasket, oil tank lid
	011067	18 Setscrew, M6 x 20mm
	000339	18 Washer, shake-proof, M6
4	013123	1	. . Filter, return
NI	024405	1	. . . Seal kit, return filter
5	013125	1	. . . Element, return filter
	011032	3 Setscrew, M10 x 30mm
	011075	3 Nut, M10, Nyloc
6	011184	1	. . . Adaptor, M/M, 1 $\frac{1}{4}$ " BSP x 3 $\frac{3}{4}$ " BSP
NI	011150	1 Seal, Dowty, 1 $\frac{1}{4}$ " BSP
NI	011174	1	. . . Elbow, swivel, 90° x 3 $\frac{3}{4}$ " BSP
7	021719	1	. . . Gauge, pressure, return filter
8	020688	1	. . Oil filler/breather
9	020689	1	. . . Plug, filler/breather, 1" BSP
10	011156	1 Seal, Dowty, 1" BSP
11	024039	1	. . Gauge, fluid level, complete with fixing screws
NI	021979	2	. . . Washer, sealing, rubber
12	010305	1	. . Magnet
13	020687	1	. . Element, suction filter
14	011244	1	. . . Plug, 3 $\frac{3}{4}$ " BSP
15	011155	1 Seal, Dowty, 3 $\frac{3}{4}$ " BSP
16	010923	3	. . Hose tail, 3 $\frac{3}{8}$ " BSP x 3 $\frac{3}{8}$ " hose
17	011153	3	. . . Seal, Dowty, 3 $\frac{3}{8}$ " BSP
18	002159	3	. . Hose tail, 1 $\frac{1}{2}$ " BSP x 5 $\frac{5}{8}$ " hose
19	011154	3	. . . Seal, Dowty, 1 $\frac{1}{2}$ " BSP
20	011164	1	. . Adaptor, M/M, 3 $\frac{3}{4}$ " BSP x 1 $\frac{1}{4}$ " BSP
21	011155	1	. . . Seal, Dowty, 1 $\frac{1}{2}$ " BSP



HYDRAULIC OIL TANK ARRANGEMENT

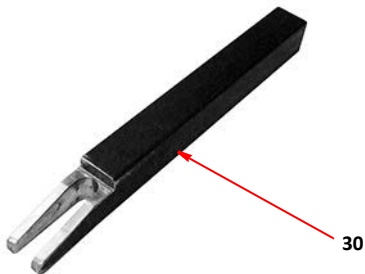
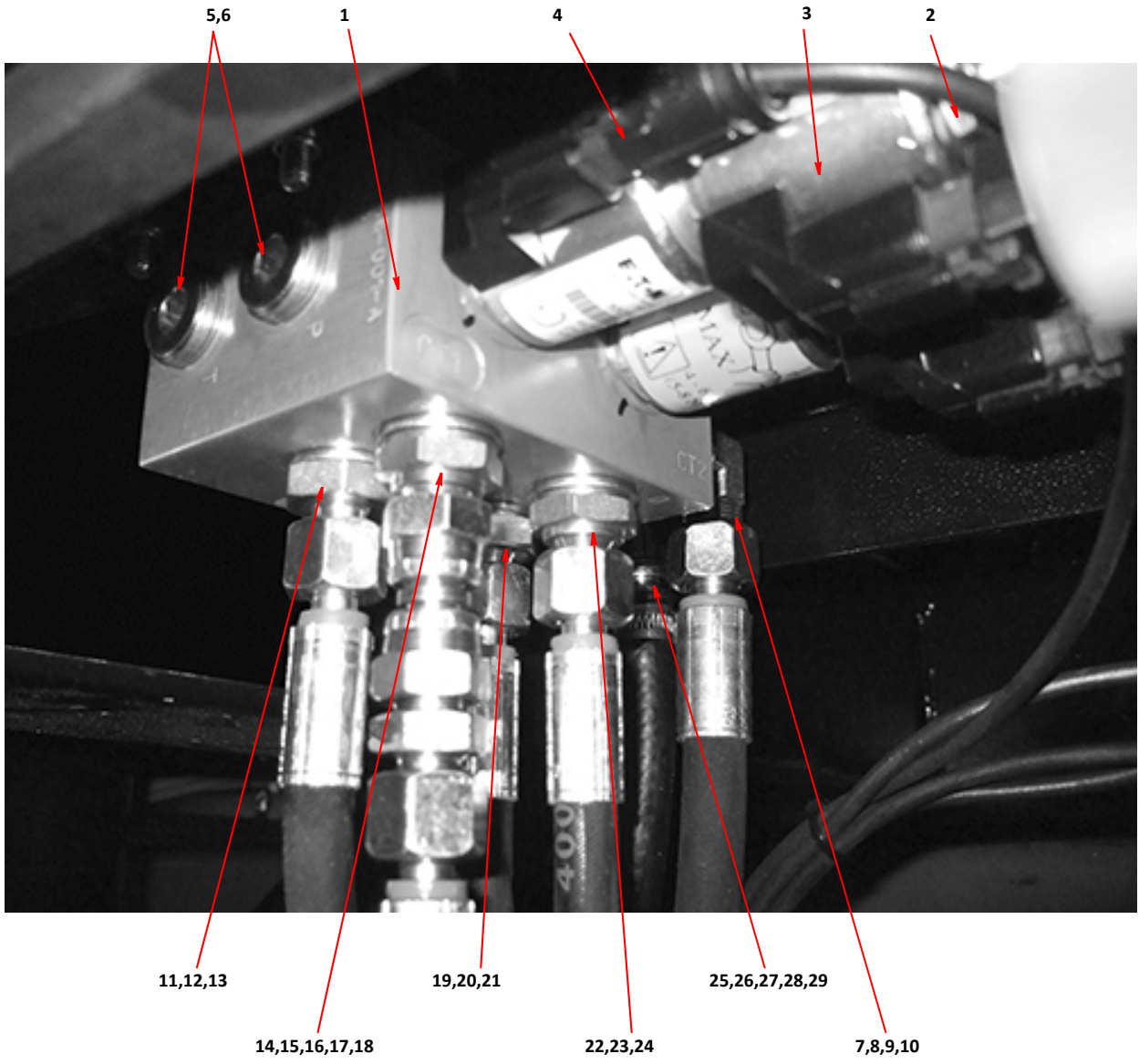
Item	Part Number	Quantity	Description
Valve Block - Main Control			
1	038218	1	. Valve block - main control Page F23
2	034969	1	. . Solenoid valve, S501N-3-B5G
3	038987	1	. . . Coil, 24V DC, C16DM24/21
NI	034971	1 Seal kit, SK1028
4	034979	3	. . Solenoid valve, S502N
5	038987	3	. . . Coil, 24V DC, C16DM24/21
NI	034971	3 Seal kit, SK1028
6	034976	3	. . Solenoid valve, S501N
7	038987	3	. . . Coil, 24V DC, C16DM24/21
NI	034971	3 Seal kit, SK1028
8	034974	1	. . Hand wheel adjuster, AXP 3945-30
NI	031975	1	. . . Seal kit, SK118
9	038232	1	. . Directional control valve, DG4V-3-2C-VM-KUP 5D 2-H7-60
10	038233	2	. . . Coil, 24V DC, 02-365538
11	034967	1	. . Relief valve, 1DR30-P-20S
NI	034968	1	. . . Seal kit, SK243
12	034977	3	. . Check cartridge, 3CA80-3.5S
NI	034978	3	. . . Seal kit, SK226
13	034980	1	. . Check cartridge, 3CA20-0.5S
NI	034981	1	. . . Seal kit, SK396
14	002174	1	. . Adaptor, M20 x 1.5 x $\frac{1}{2}$ " BSP (Port T1)
NI	011267	1	. . . Seal, Dowty, M20
NI	011235	1	. . . Hose tail, $\frac{1}{2}$ " BSP x $\frac{5}{8}$ " hose
15	002174	1	. . Adaptor, M20 x 1.5 x $\frac{1}{2}$ " BSP (Port T2)
NI	011267	1	. . . Seal, Dowty, M20
16	011186	1	. . Adaptor, M16 x 1.5 x $\frac{3}{8}$ " BSP (Port HL)
NI	011217	1	. . . Seal, Dowty, M16
17	011186	1	. . Adaptor, M16 x 1.5 x $\frac{3}{8}$ " BSP (Port HP)
NI	011217	1	. . . Seal, Dowty, M16
18	002176	1	. . Adaptor, fixed, M/F, M16 x 1.5 x $\frac{1}{4}$ " BSP (Port BL1)
NI	011217	1	. . . Seal, Dowty, M16
NI	020902	1	. . . Stud, male, $\frac{1}{4}$ " BSP x 6mm pipe
19	002176	1	. . Adaptor, fixed, M/F, M16 x 1.5 x $\frac{1}{4}$ " BSP (Port BL2)
NI	011217	1	. . . Seal, Dowty, M16
NI	020902	1	. . . Stud, male, $\frac{1}{4}$ " BSP x 6mm
20	002175	1	. . Stud, male, M16 x 1.5 x 12mm pipe (Port WSB2)
NI	011217	1	. . . Seal, Dowty, M16
21	002175	1	. . Stud, male, M16 x 1.5 x 12mm (Port WSB1)
NI	011217	1	. . . Seal, Dowty, M16
22	002175	1	. . Stud, male, M16 x 1.5 x 12mm pipe (Port RHB2)
NI	011217	1	. . . Seal, Dowty, M16
23	002175	1	. . Stud, male, M16 x 1.5 x 12mm pipe (Port RHB1)
NI	011217	1	. . . Seal, Dowty, M16
24	002175	1	. . Stud, male, M16 x 1.5 x 12mm pipe (Port LHB2)
NI	011217	1	. . . Seal, Dowty, M16
25	002175	1	. . Stud, male, M16 x 1.5 x 12mm pipe (Port LHB1)
NI	011217	1	. . . Seal, Dowty, M16
26	002175	1	. . Stud, male, M16 x 1.5 x 12mm pipe (Port LP2)
NI	011217	1	. . . Seal, Dowty, M16
27	002175	1	. . Stud, male, M16 x 1.5 x 12mm pipe (Port LP1)
NI	011217	1	. . . Seal, Dowty, M16
28	011266	1	. . Adaptor, M20 x 1.5 x $\frac{3}{8}$ " BSP (Port P)
NI	011267	8	. . . Seal, Dowty, M20
29	035350	1	. . Port plug, M12 x 1.5 (Port TP)



MAIN CONTROL VALVE BLOCK

Item	Part Number	Quantity	Description
Valve Block - Hopper Controls *			
1	039703	1	. Valve block, hopper controls Page F23
	000136	2	. . Screw, socket cap, M8 x 16mm
	001192	2	. . . Washer, M8
2	039746	2	. . Solenoid valve
3	039747	4	. . . 24VDC coil with diode
NI	039748	2 Coil spacer
4	039705	4 M12 plug wjth cable and Deutsch DT 2way, 3m Page H5
5	011153	2	. . Seal, Dowty, $\frac{3}{8}$ " BSP
6	011242	2	. . . Plug, $\frac{3}{8}$ " BSP
7	011153	2	. . Seal, Dowty, $\frac{3}{8}$ " BSP
8	011159	1	. . . Adaptor, M/M, $\frac{3}{8}$ " BSP x $\frac{3}{8}$ " BSP
9	002148	1 Elbow, swivel, M/F, $\frac{3}{8}$ " BSP
10	011308	1 Hose, rubber, $\frac{3}{8}$ " BSP x 500mm (PORT P, main valve block/hand pump)
11	011153	1	. . Seal, Dowty, $\frac{3}{8}$ " BSP
12	011199	1	. . . Adaptor, M/M, $\frac{3}{8}$ " BSP x $\frac{1}{4}$ " BSP
13	011329	1 Hose, $\frac{1}{4}$ " BSP x 1200mm (PORT A, door open)
14	011153	1	. . Seal, Dowty, $\frac{3}{8}$ " BSP
15	011199	1	. . . Adaptor, M/M, $\frac{3}{8}$ " BSP x $\frac{1}{4}$ " BSP
16	011219	1 Adaptor, swivel, F/F, $\frac{1}{4}$ " BSP
17	040217	1 Restrictor, $\frac{1}{4}$ " x $\frac{3}{8}$ " BSP ($\frac{3}{64}$ " Orange)
18	011329	1 Hose, $\frac{1}{4}$ " BSP x 1200mm (PORT B, door close)
19	011153	1	. . Seal, Dowty, $\frac{3}{8}$ " BSP
20	011199	1	. . . Adaptor, M/M, $\frac{3}{8}$ " BSP x $\frac{1}{4}$ " BSP
21	001002	1 Hose, $\frac{1}{4}$ " BSP x 3700mm (PORT C, hopper open)
22	011153	1	. . Seal, Dowty, $\frac{3}{8}$ " BSP
23	011199	1	. . . Adaptor, M/M, $\frac{3}{8}$ " BSP x $\frac{1}{4}$ " BSP
24	001002	1 Hose, $\frac{1}{4}$ " BSP x 3700mm (PORT D, hopper close)
25	011153	1	. . Seal, Dowty, $\frac{3}{8}$ " BSP
26	011159	1	. . . Adaptor, M/M, $\frac{3}{8}$ " BSP x $\frac{3}{8}$ " BSP
27	002048	1 Elbow, swivel, $\frac{3}{8}$ " BSP x $\frac{3}{8}$ " hose
28	010958	AR Hose, rubber, $\frac{3}{8}$ " bore (PORT T, to return)
29	010517	1 Clamp, hose, worm drive, 18-25mm
30	040190	1	. Unloader tool, solenoid valve

Notes:-
 * Please also see Page F9 to identify the correct valve block, solenoids and coils used on your sweeper.
 Not used if Hopper and Rear Door, Hydraulic Operating Levers are fitted. See Page F11.

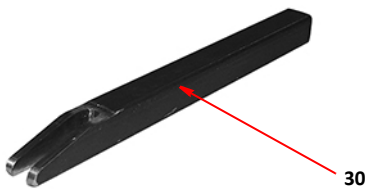
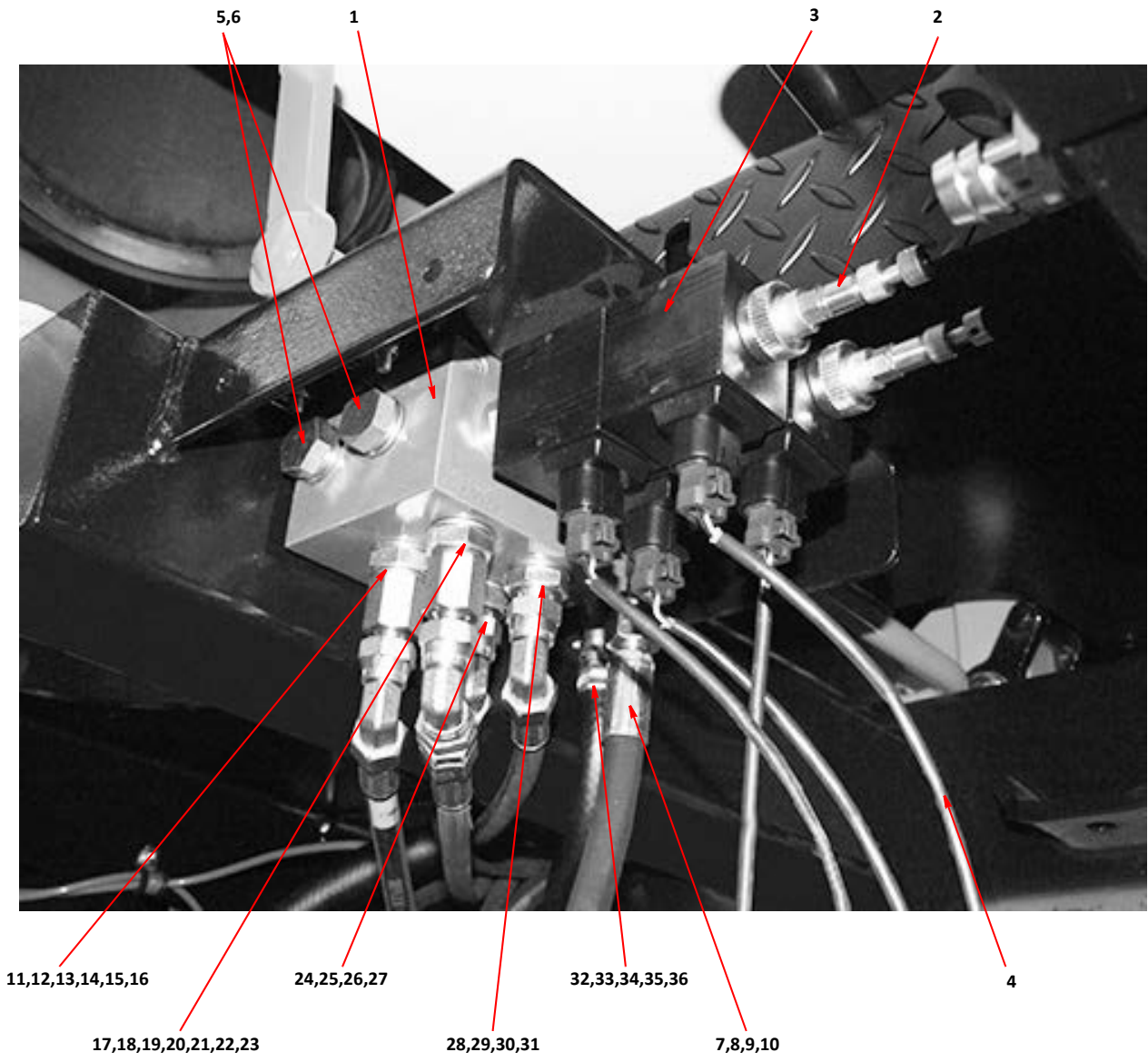


VALVE BLOCK - HOPPER CONTROLS

Item	Part Number	Quantity	Description
			Valve Block - Hopper Controls *
1	039871	1	. Valve block, hopper controls Page F23
	000136	2	. . Screw, socket cap, M8 x 16mm
	001192	2	. . . Washer, M8
2	035218	2	. . Solenoid valve (S571N-4)
3	038987	4	. . . 24VDC coil, (C16DM24/21 UN-D)
4	039705	4 M12 plug with cable and Deutsch DT 2way, 3m Page H5
5	011153	2	. . Seal, Dowty, $\frac{3}{8}$ " BSP
6	011242	2	. . . Plug, $\frac{3}{8}$ " BSP
7	011153	2	. . Seal, Dowty, $\frac{3}{8}$ " BSP
8	011159	1	. . . Adaptor, M/M, $\frac{3}{8}$ " BSP x $\frac{3}{8}$ " BSP
9	011172	1 Elbow, swivel, M/F, $\frac{3}{8}$ " BSP
10	011308	1 Hose, rubber, $\frac{3}{8}$ " BSP x 500mm (PORT P)
11	011153	1	. . Seal, Dowty, $\frac{3}{8}$ " BSP
12	011199	1	. . . Adaptor, M/M, $\frac{3}{8}$ " BSP x $\frac{1}{4}$ " BSP
13	011152	1 Seal, Dowty, $\frac{1}{4}$ " BSP
14	002014	1 Adaptor, fixed, M/F, $\frac{1}{4}$ " BSP x $\frac{1}{4}$ " BSP
15	011169	1 Elbow, swivel, M/F, $\frac{1}{4}$ " BSP
16	011329	1 Hose, $\frac{1}{4}$ " BSP x 1200mm (PORT A)
17	011153	1	. . Seal, Dowty, $\frac{3}{8}$ " BSP
18	011199	1	. . . Adaptor, M/M, $\frac{3}{8}$ " BSP x $\frac{1}{4}$ " BSP
19	011152	1 Seal, Dowty, $\frac{1}{4}$ " BSP
20	002014	1 Adaptor, fixed, M/F, $\frac{1}{4}$ " BSP x $\frac{1}{4}$ " BSP
21	011169	1 Elbow, swivel, M/F, $\frac{1}{4}$ " BSP
22	027804	1 Restrictor No.14, $\frac{1}{4}$ " BSP x $\frac{1}{4}$ " BSP (3/64 Orange)
23	011329	1 Hose, $\frac{1}{4}$ " BSP x 1200mm (PORT B)
24	011153	1	. . Seal, Dowty, $\frac{3}{8}$ " BSP
25	011199	1	. . . Adaptor, M/M, $\frac{3}{8}$ " BSP x $\frac{1}{4}$ " BSP
26	011169	1 Elbow, swivel, M/F, $\frac{1}{4}$ " BSP
27	001002	1 Hose, $\frac{1}{4}$ " BSP x 3700mm (PORT D)
28	011153	1	. . Seal, Dowty, $\frac{3}{8}$ " BSP
29	011199	1	. . . Adaptor, M/M, $\frac{3}{8}$ " BSP x $\frac{1}{4}$ " BSP
30	011169	1 Elbow, swivel, M/F, $\frac{1}{4}$ " BSP
31	001002	1 Hose, $\frac{1}{4}$ " BSP x 3700mm (PORT C)
32	011153	1	. . Seal, Dowty, $\frac{3}{8}$ " BSP
33	011159	1	. . . Adaptor, M/M, $\frac{3}{8}$ " BSP x $\frac{3}{8}$ " BSP
34	002048	1 Elbow, swivel, $\frac{3}{8}$ " BSP x $\frac{3}{8}$ " hose
35	010958	AR Hose, rubber, $\frac{3}{8}$ " bore (PORT T, to return)
36	010517	1 Clamp, hose, worm drive, 18-25mm
37	036462	1	. Unloader tool, solenoid valve

Notes:-

- * Please also see Page F7 to identify the correct valve block, solenoids and coils used on your sweeper.
Not used if Hopper and Rear Door, Hydraulic Operating Levers are fitted. See Page F11.

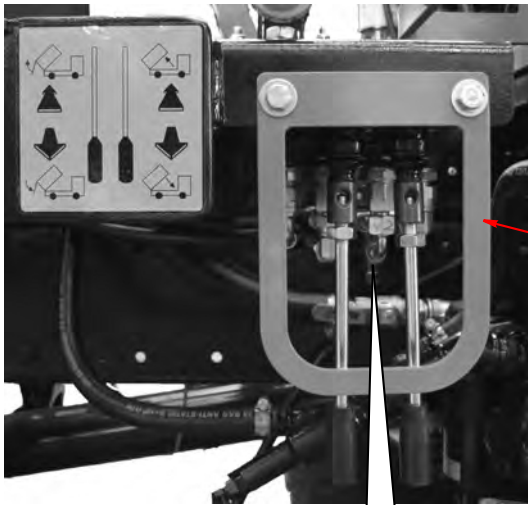


VALVE BLOCK - HOPPER CONTROLS

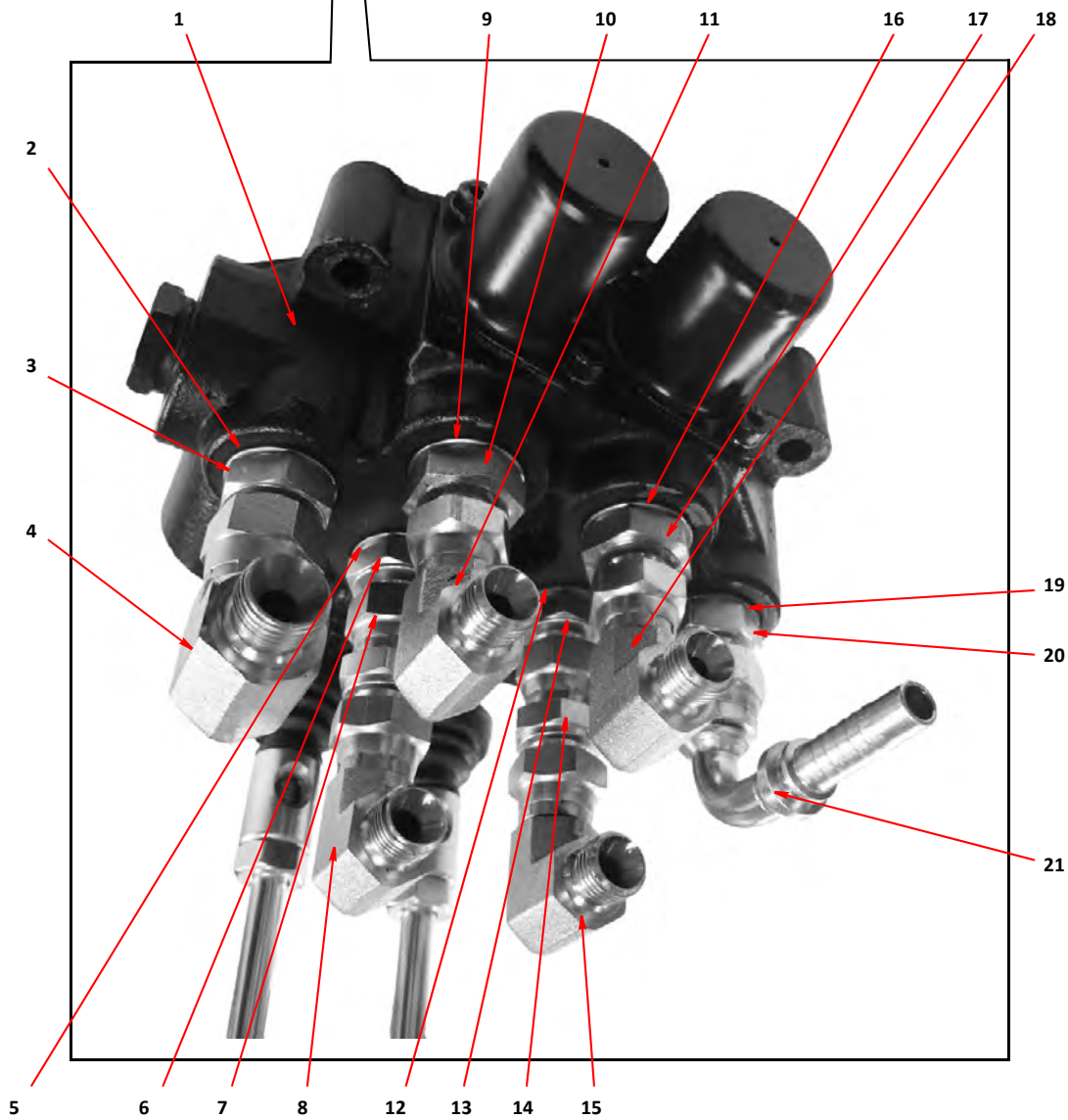
Item	Part Number	Quantity	Description
Hopper and Rear Door, Hydraulic Operating Levers *			
1	034179	1	. Valve, manual, hopper & rear door Page F23
2	011153	1	.. Seal, Dowty, $\frac{3}{8}$ " BSP
3	011159	1	... Adaptor, M/M, $\frac{3}{8}$ " BSP x $\frac{3}{8}$ " BSP
4	002148	1 Elbow, swivel, M/F, $\frac{3}{8}$ " BSP
NI	011308	1 Hose, rubber, $\frac{3}{8}$ " BSP x 500mm
5	011153	1	.. Seal, Dowty, $\frac{3}{8}$ " BSP
6	011199	1	... Adaptor, M/M, $\frac{3}{8}$ " BSP x $\frac{1}{4}$ " BSP
7	002012	1 Adaptor, swivel, M/F, $\frac{1}{4}$ " BSP x $\frac{1}{4}$ " BSP
8	002148	1 Elbow, swivel, M/F, $\frac{1}{4}$ " BSP x $\frac{1}{4}$ " BSP
NI	011329	1 Hose, $\frac{1}{4}$ " BSP x 1200mm (hopper, port A)
9	011153	1	.. Seal, Dowty, $\frac{3}{8}$ " BSP
10	011199	1	... Adaptor, M/M, $\frac{3}{8}$ " BSP x $\frac{1}{4}$ " BSP
11	002148	1 Elbow, swivel, M/F, $\frac{1}{4}$ " BSP x $\frac{1}{4}$ " BSP
NI	027804	1 Restrictor No.14 $\frac{1}{4}$ " x $\frac{1}{4}$ " BSP (3/64 Orange)
NI	011329	1 Hose, $\frac{1}{4}$ " BSP x 1200mm (hopper, port B)
12	011153	1	.. Seal, Dowty, $\frac{3}{8}$ " BSP
13	011199	1	... Adaptor, M/M, $\frac{3}{8}$ " BSP x $\frac{1}{4}$ " BSP
14	002012	1 Adaptor, swivel, M/F, $\frac{1}{4}$ " BSP x $\frac{1}{4}$ " BSP
15	002148	1 Elbow, swivel, M/F, $\frac{1}{4}$ " BSP x $\frac{1}{4}$ " BSP
NI	001002	1 Hose, $\frac{1}{4}$ " BSP x 3700mm (rear door, port A)
16	011153	1	.. Seal, Dowty, $\frac{3}{8}$ " BSP
17	011199	1	... Adaptor, M/M, $\frac{3}{8}$ " BSP x $\frac{1}{4}$ " BSP
18	002148	1 Elbow, swivel, M/F, $\frac{1}{4}$ " BSP x $\frac{1}{4}$ " BSP
NI	001002	1 Hose, $\frac{1}{4}$ " BSP x 3700mm (rear door, port B)
19	011153	1	.. Seal, Dowty, $\frac{3}{8}$ " BSP
20	011159	1	... Adaptor, M/M, $\frac{3}{8}$ " BSP x $\frac{3}{8}$ " BSP
21	002048	1 Elbow, swivel, $\frac{3}{8}$ " BSP x $\frac{3}{8}$ " hose
NI	010958	AR Hose, rubber, $\frac{3}{8}$ " bore
22	035623	1	. Guard, manual operating levers

Notes:-

* Not used if Remote Hopper Controller and Valve Block, Hopper Control is fitted. See Page A1, F7 & F9.

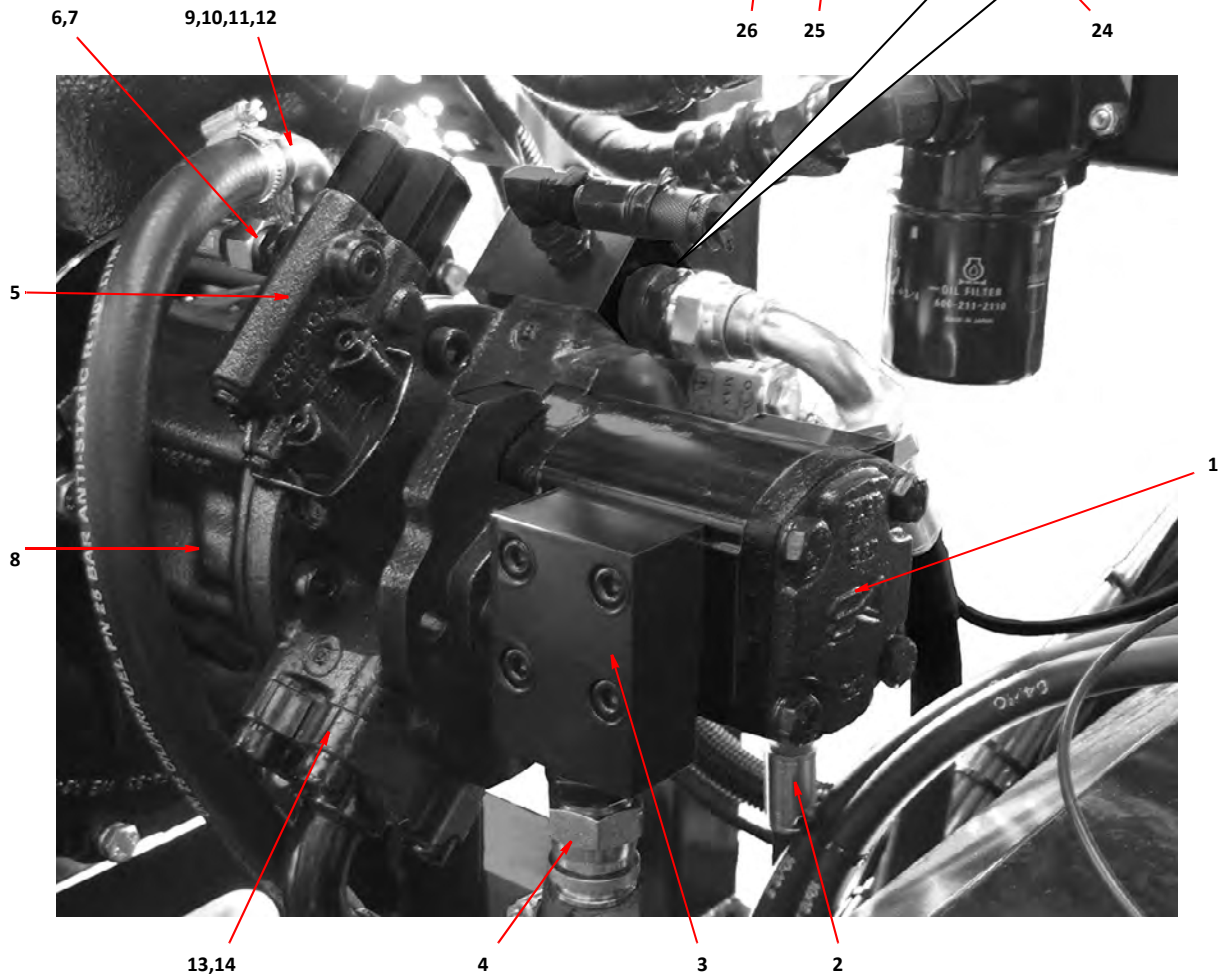
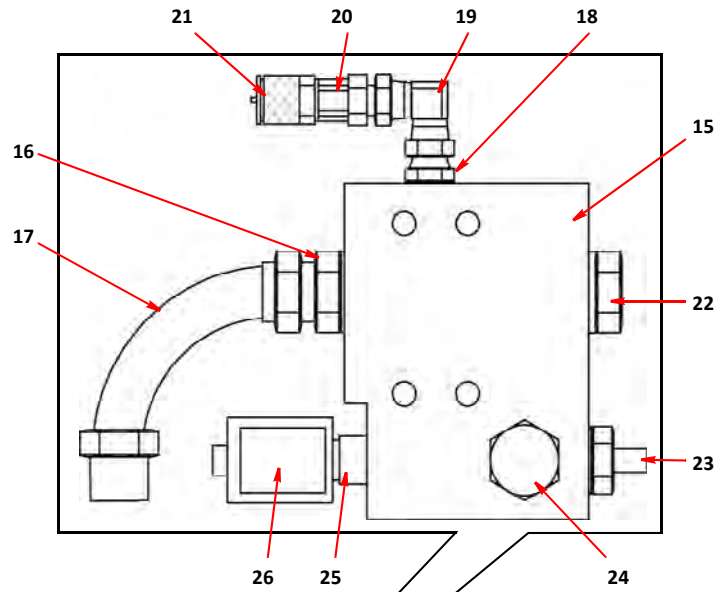


22



HOPPER & REAR DOOR, HYDRAULIC OPERATING LEVERS

Item	Part Number	Quantity	Description
Gear and Suction Fan Pump Arrangement			
1	034268	1	. Gear pump 19.2cc Page F23
2	011224	1	. . Adaptor, M/M, $\frac{3}{4}$ " BSP x $\frac{3}{8}$ " BSP
	011155	1	. . . Seal, Dowty $\frac{3}{4}$ " BSP
3	026335	1	. . Adaptor block
	013517	1	. . . O-ring, 33mm ID x ϕ 3.5mm section
	000096	4 Screw, socket cap, M8 40mm
4	011161	1	. . . Adaptor, M/M, $\frac{3}{4}$ " BSP x $\frac{3}{4}$ " BSP
	011155	3 Seal, Dowty $\frac{3}{4}$ " BSP
5	014217	1	. . DFR valve, flow control Page F15
6	011227	1	. . . Adaptor, M/M, $\frac{7}{16}$ " SAE x $\frac{1}{4}$ " BSP, includes o-ring
7	011234	1 Hose, hydraulic, $\frac{1}{4}$ " BSP straight ends x 360mm
8	023620	1	. . Pump, hydraulic, suction fan, A10VO45 Page F15
9	011160	1	. . Adaptor, M/M, $\frac{1}{2}$ " BSP x $\frac{1}{2}$ " BSP
10	011234	1	. . . Elbow, $\frac{1}{2}$ " BSP x $\frac{5}{8}$ " hose
11	011154	1	. . . Seal, Dowty, $\frac{1}{2}$ " BSP
12	010518	1 Clamp, worm drive, 18-25mm
13	011231	1	. . Elbow, flanged, 1 hose
	014828	1	. . . Clamp, worm drive, high torque, ϕ 25-40mm
14	011230	2	. . . Flange, split clamp
	011108	4 Screw, socket cap head, $\frac{1}{2}$ " UNC x $1\frac{1}{2}$ "
15	037454	1	. . Valve block, fan control
16	011161	1	. . . Adaptor, M/M, $\frac{3}{4}$ " BSP x $\frac{3}{4}$ " BSP
	011155	1 Seal, Dowty $\frac{3}{4}$ " BSP
17	011196	1 Elbow, swept, M/F, $\frac{3}{4}$ " BSP x $\frac{3}{4}$ " BSP
18	011163	1	. . Adaptor, $\frac{1}{8}$ " BSP x $\frac{1}{4}$ " BSP
	011151	1	. . . Seal, Dowty $\frac{1}{8}$ " BSP
19	011169	1	. . . Elbow, swivel, F/F, $\frac{1}{4}$ " BSP x $\frac{1}{4}$ " BSP
20	002014	1 Adaptor, M/F, $\frac{1}{4}$ " BSP x $\frac{1}{4}$ " BSP
	011152	1 Seal, Dowty $\frac{1}{4}$ " BSP
21	013036	1 Test point, $\frac{1}{4}$ " BSP
22	011242	1	. . . Plug, $\frac{3}{4}$ " BSP
	011155	1 Seal, Dowty, $\frac{3}{4}$ " BSP
23	011199	1	. . . Adaptor, M/M, $\frac{3}{8}$ " BSP x $\frac{1}{4}$ " BSP
	011153	1 Seal, Dowty, $\frac{3}{8}$ " BSP
24	011242	1	. . . Plug, $\frac{3}{4}$ " BSP
	011155	1 Seal, Dowty, $\frac{3}{4}$ " BSP
25	037447	1	. . Solenoid valve, SV5-8-C-0-00
26	037456	1	. . . Coil, 24V, S Series, MCSCS024N 000010



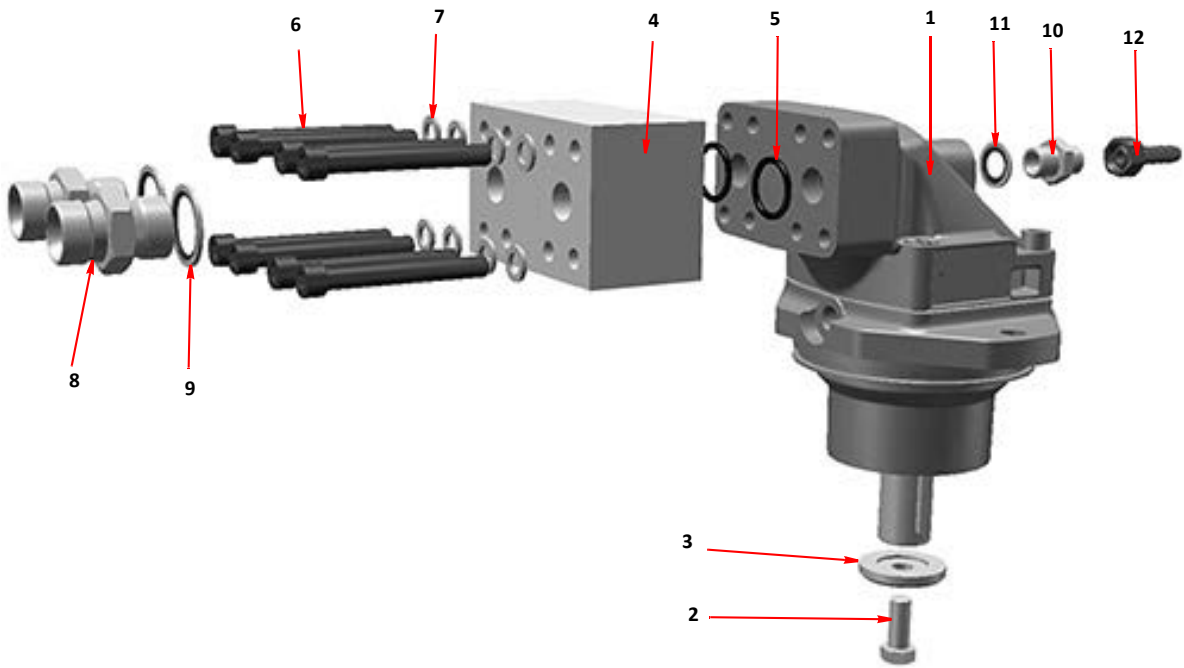
GEAR & SUCTION FAN PUMP ARRANGEMENT

<i>Item</i>	<i>Part Number</i>	<i>Quantity</i>	<i>Description</i>
Suction Fan Motor Assembly			
1	024641	1	Motor, hydraulic, fan, VOAC F12-030-MF-CH-K Page C11
NI	000343	2	. Bolt, socket cap, M14 x 50mm
NI	011127	2	. . Nut, M14, Nyloc
2	011052	1	. Fan mounting bolt, M12 x 30mm
3	024791	1	. . Cap washer VOAC motor
4	035967	1	. Valve block assembly
5	013523	2	. . O-ring, \varnothing 25mm ID
6	000048	8	. . Screw, socket cap head, M10 x 80mm
7	011095	8	. . . Spring washer, $\frac{3}{8}$ " M10
8	011151	2	. . Adaptor, M/M, $\frac{3}{4}$ " BSP
9	011155	2	. . . Seal, Dowty, $\frac{3}{4}$ " BSP
10	011248	1	. . Adaptor, M18 x $\frac{3}{8}$ " BSP
11	011247	1	. . . Seal, Dowty, M18
12	010921	1	. . . Hose tail, $\frac{3}{8}$ " BSP nut x $\frac{3}{8}$ " hose

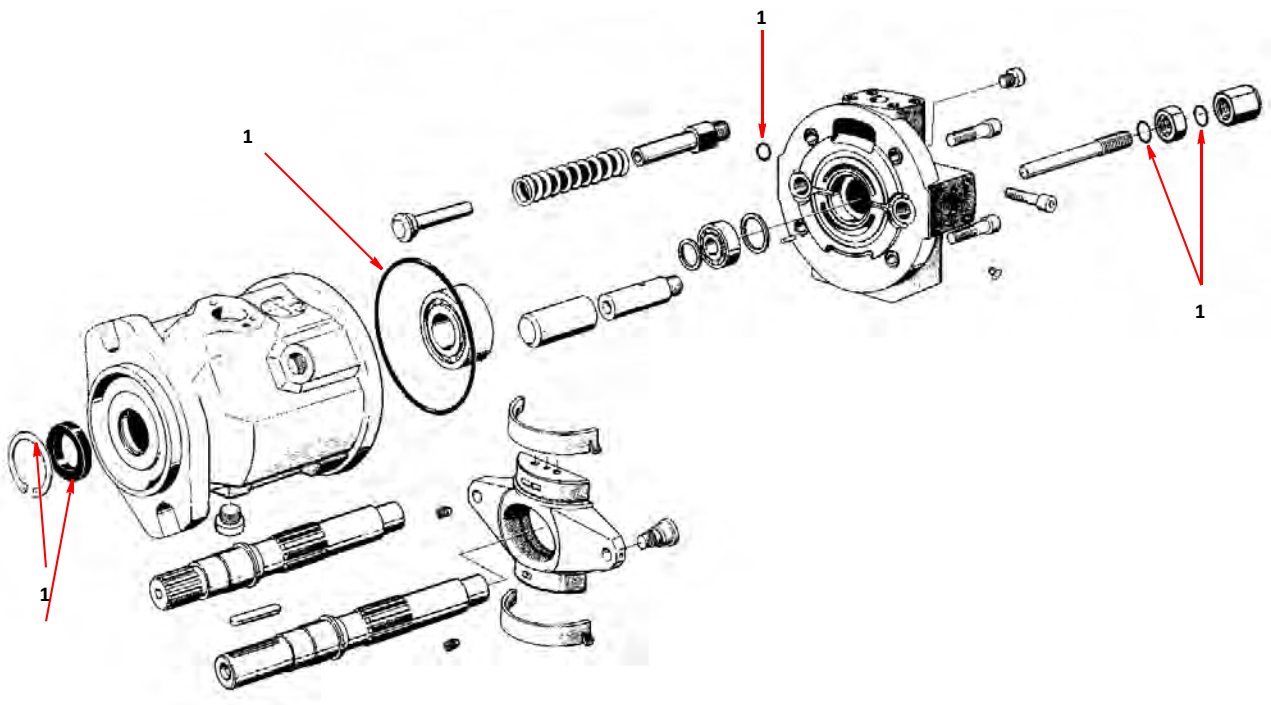
<i>Item</i>	<i>Part Number</i>	<i>Quantity</i>	<i>Description</i>
Low Pressure Water Pump Twin Diaphragm - Arrangement			
	023620	1	. Pump, hydraulic, suction fan, A10V045 Page F13
NI	014217	1	. . DFR valve, flow control Page F13
	011053	2	. . Setscrew, M12 x 35mm
	011097	4	. . Spring washer, M12
1	014552*	1	. . Seal Kit

Notes:-

* Some items in the seal kit are intended for use in the pump's control valve.



SUCTION FAN MOTOR ASSEMBLY



SUCTION FAN PUMP

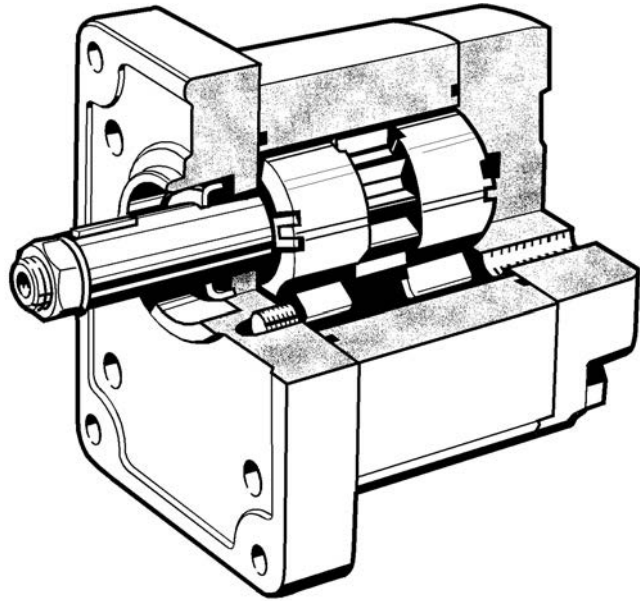
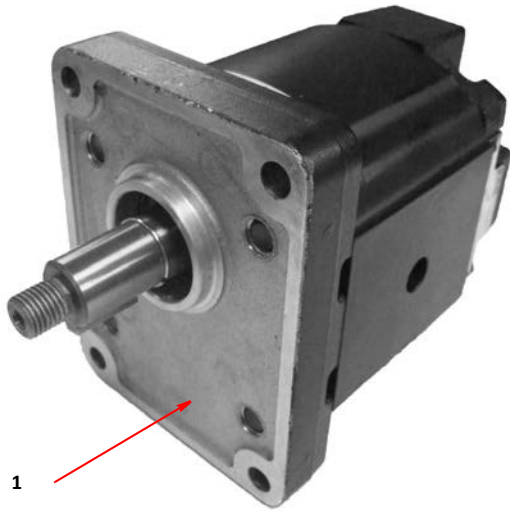
<i>Item</i>	<i>Part Number</i>	<i>Quantity</i>	<i>Description</i>
Hydraulic Motor, High Pressure Water Pump 30 LPM			
1	025373	1	. Motor, hydraulic, for 19cc, 30 LPM water pumps Page E27,F23
	000020	4	. . Setscrew, M6 x 30mm
	011090	8	. . . Washer, M6
	011071	4 Nut, M6, Nyloc

<i>Item</i>	<i>Part Number</i>	<i>Quantity</i>	<i>Description</i>
Hydraulic Motor, OMP50 Low Pressure Water Pump and High Pressure Water Pump 42 LPM			
1	013527	1	. Motor, hydraulic, for LP water pump Page E13,F25
1	013527	1	. Motor, hydraulic, for HP water pump 42 LPM Page E31,F23
	011069	2	. . Setscrew, M12 x 40mm
	011077	2	. . . Nut, M12, Nyloc
2	*	1	. . Seal kit

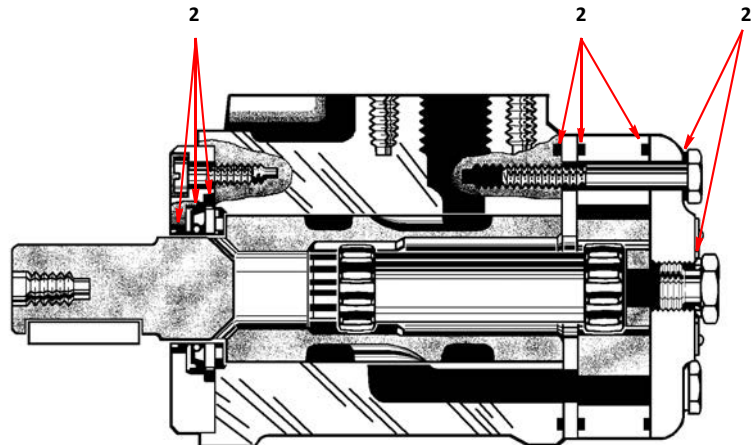
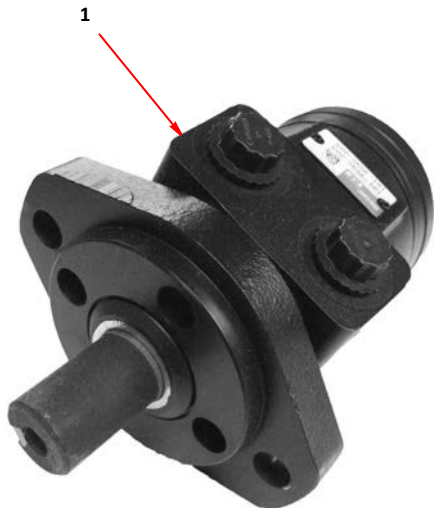
<i>Item</i>	<i>Part Number</i>	<i>Quantity</i>	<i>Description</i>
Hydraulic Motor, OMP100 - Wide Sweep			
1	010566	1	. Motor, hydraulic, for wide sweepPage D5,F25
	011053	2	. . Setscrew, M12 x 35mm
	011077	2	. . . Nut, M12, Nyloc
2	*	1	. . Seal kit

<i>Item</i>	<i>Part Number</i>	<i>Quantity</i>	<i>Description</i>
Hydraulic Motor, OMP200 - Side Brush			
1	010749	1	. Motor, hydraulic, for side brushPage D1,F25
	011069	2	. . Setscrew, M12 x 40mm
	011077	2	. . . Nut, M12, Nyloc
2	*	1	. . Seal kit

Notes:-
* Contact Scarab Parts Department before ordering.



HYDRAULIC MOTOR, 19cc, 30 LPM HIGH PRESSURE WATER PUMP



Shows an indication of the location for the seal kit components

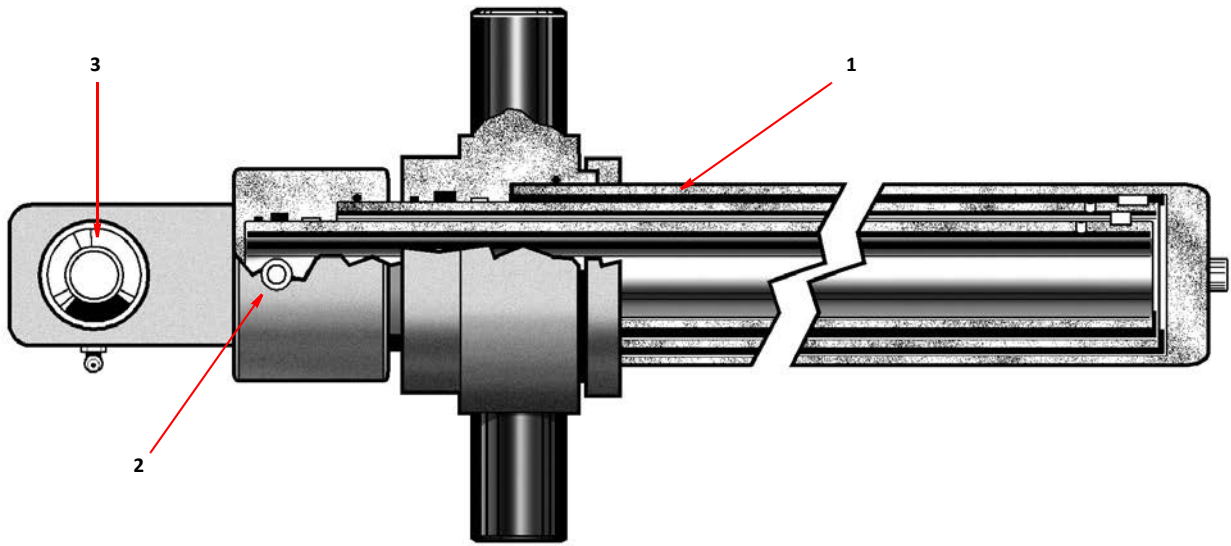
OMP50 shown, OMP100 & OMP200 similar

HYDRAULIC MOTOR - LOW PRESSURE WATER PUMP
HIGH PRESSURE WATER PUMP
WIDE SWEEP BRUSH
SIDE BRUSH

<i>Item</i>	<i>Part Number</i>	<i>Quantity</i>	<i>Description</i>
Hopper Lift Ram Assembly			
1	024249	1	. Hydraulic ram, two stage, hopper liftPage C1,F23
NI	028178	1	. . Check valve, integrated, ICEB30F
2	002017	4	. . Elbow, banjo $\frac{1}{4}$ " BSP
NI	011152	4	. . . Seal, Dowty, $\frac{1}{4}$ " BSP
3	012881	1	. . Bearing, spherical
NI	027785	1	. . Seal kit, hydraulic ram, two stage, hopper lift

<i>Item</i>	<i>Part Number</i>	<i>Quantity</i>	<i>Description</i>
Rear Door Open/Close Ram Assembly			
1	034816	1	. Hydraulic ram, double acting, with load control Page C13,F23
2	011158	2	. . Adaptor, M/M, $\frac{1}{4}$ " BSP
3	011152	2	. . . Seal, Dowty, $\frac{1}{4}$ " BSP
4	042284	1	. . Clevis, door ram
5	042285	1	. . Clevis nut, door ram

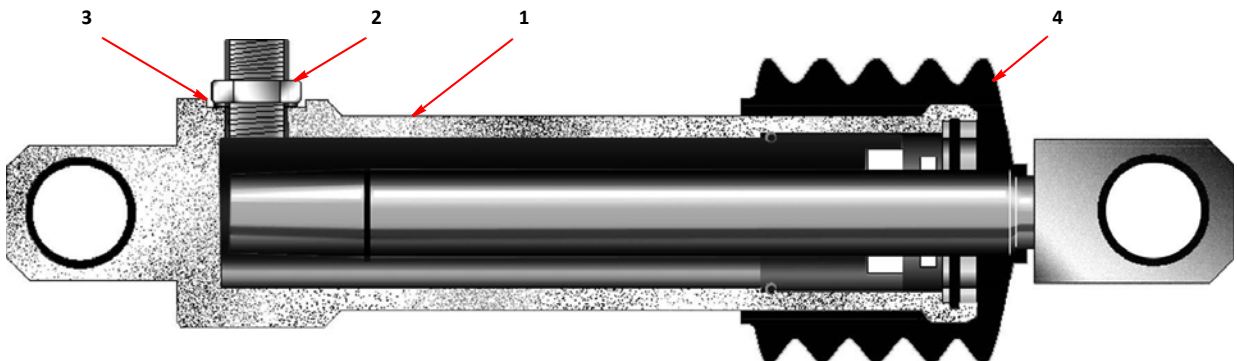
<i>Item</i>	<i>Part Number</i>	<i>Quantity</i>	<i>Description</i>
Side Brush Lift Ram Assembly			
1	024539	1	. Hydraulic ram, side brush liftPage D1,F25
2	012539	1	. . Restrictor, No 5 White, M/M, $\frac{1}{4}$ " BSP x $\frac{1}{4}$ " BSP
3	011152	1	. . . Seal, Dowty, $\frac{1}{4}$ " BSP
NI	002016	1	. . Plug, hex socket head, $\frac{1}{4}$ " BSP
4	011629	1	. . Seat kit, hydraulic ram, side brush lift



HOPPER LIFT RAM ASSEMBLY



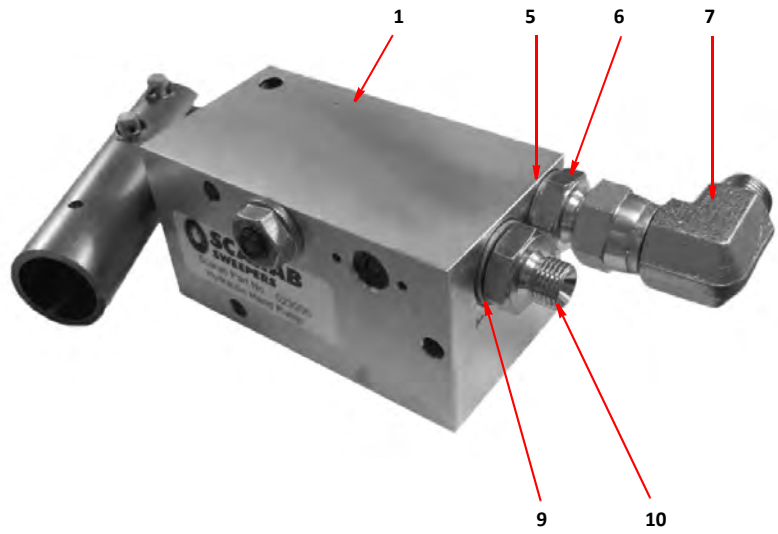
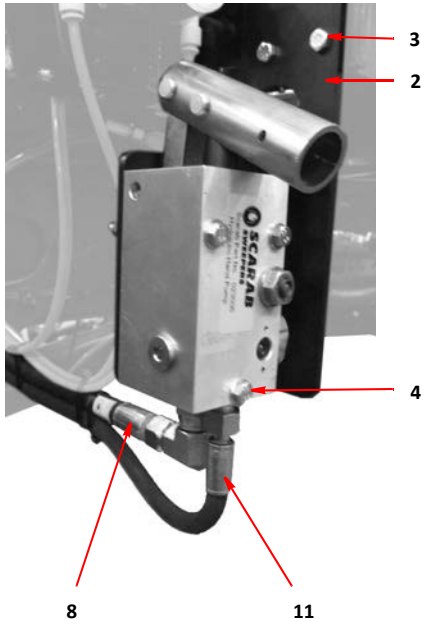
REAR DOOR OPEN/CLOSE RAM ASSEMBLY



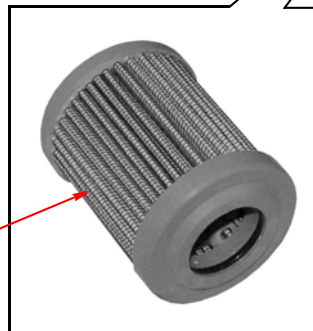
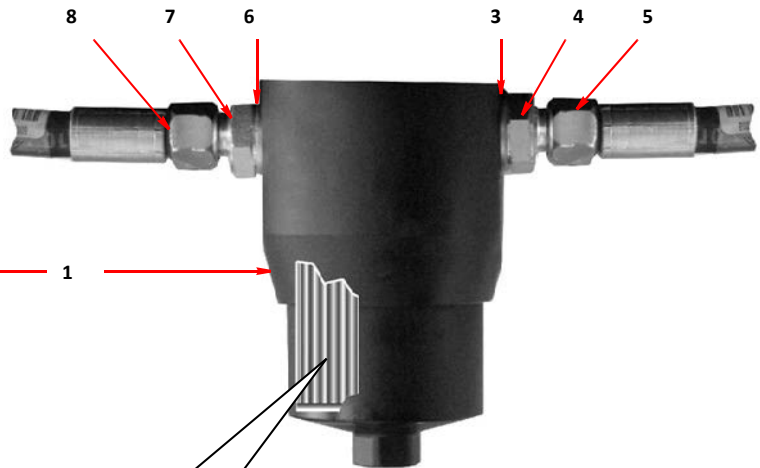
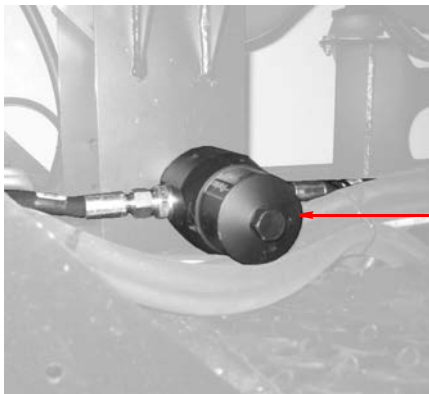
BRUSH RAM ASSEMBLY

Item	Part Number	Quantity	Description
Auxiliary Hand Pump			
1	023006	1	. Hand pump Page F23
NI	038657	1	. . Handle, hand pump
2	038257	1	. . . Bracket, mounting, hand pump, R/H
NI	038256	1	. . . Bracket, mounting, hand pump, L/H
3	011001	4 Setscrew, M6 x 16mm
	011071	4 Nut, M6 Nyloc
4	000221	3	. . . Bolt, M6 x 70mm
	011090	6 Washer, M6
	011071	3 Nut, M6 Nyloc
5	011152	1	. . Washer, Dowty $\frac{1}{4}$ " BSP
6	011199	1	. . . Adaptor, M/M, $\frac{3}{8}$ " BSP x $\frac{1}{4}$ " BSP
7	011172	1 Elbow, swivel, M/F, $\frac{3}{8}$ " BSP x $\frac{3}{8}$ " BSP
8	001023	1 Hose, $\frac{3}{8}$ " BSP x 710mm
9	011153	1	. . Washer, Dowty, $\frac{3}{8}$ " BSP
10	011199	1	. . . Adaptor, M/M, $\frac{3}{8}$ " BSP x $\frac{1}{4}$ " BSP
11	011328	1 Hose, $\frac{1}{4}$ " BSP x 1780mm

Item	Part Number	Quantity	Description
Filter High-Pressure			
1	025103	1	. Filter, high-pressure Page B1,F23
2	025104	1	. . Filter element
3	011154	1	. . Seal, Dowty, $\frac{1}{2}$ " BSP
4	011167	1	. . . Adaptor, $\frac{1}{2}$ " BSP x $\frac{3}{8}$ " BSP
5	011307	1 Hose, $\frac{3}{8}$ " BSP x 1300mm
6	011154	1	. . Seal, Dowty, $\frac{1}{2}$ " BSP
7	011167	1	. . . Adaptor, $\frac{1}{2}$ " BSP x $\frac{3}{8}$ " BSP
8	011310	1 Hose, $\frac{3}{8}$ " BSP x 300mm

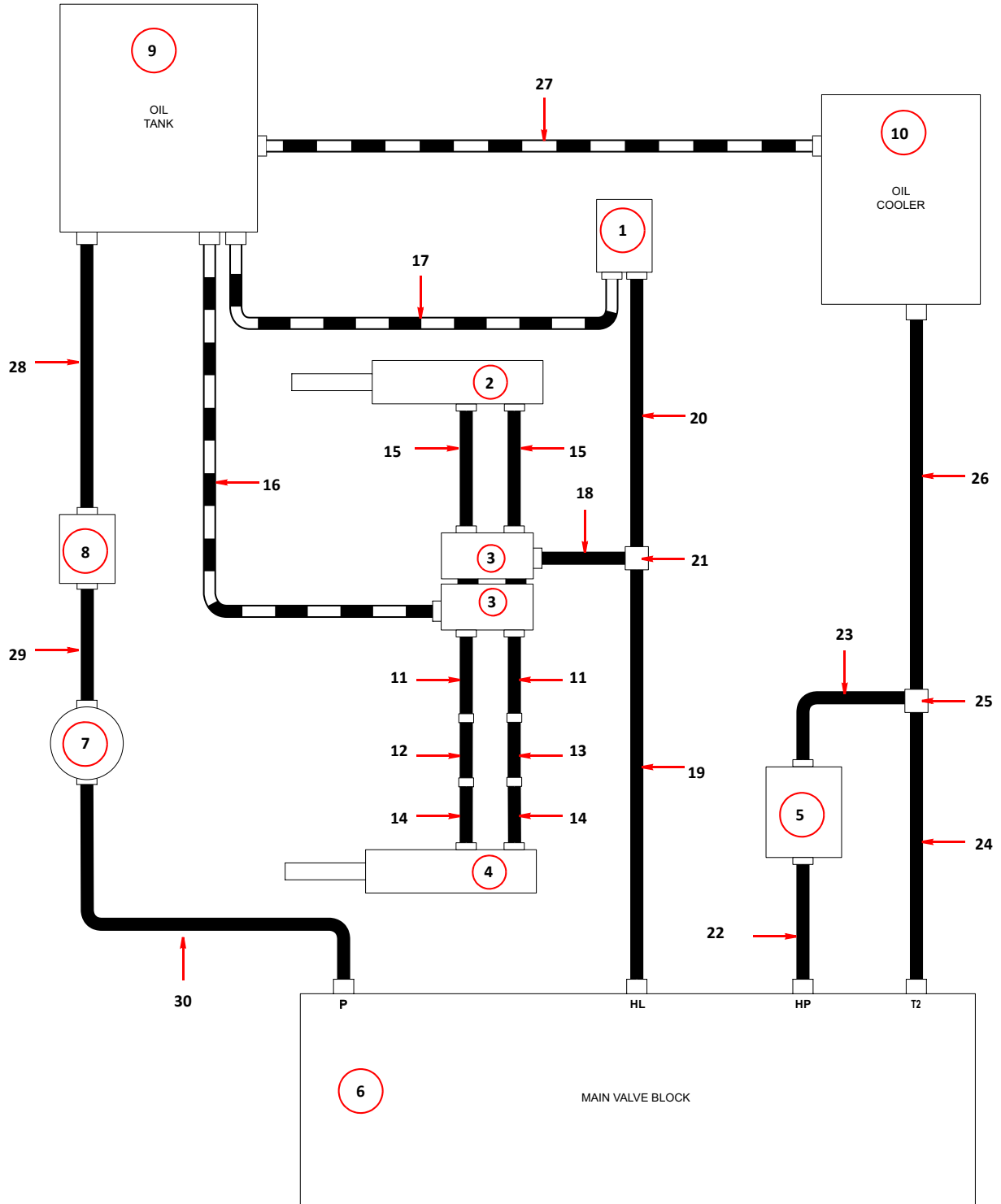


AUXILIARY HAND PUMP



HIGH-PRESSURE FILTER

Item	Part Number	Quantity	Description
Hydraulic Circuit - Hopper, Rear Door and HP Pump			
1	023006	1	Hand pump Page F21
2	024249	1	Hopper lift ram assembly Page C1, F19
3			Hopper/rear door valve block or operating levers Page F7,F9,F11
4	034816	1	Rear door open/close ram assembly Page C13,F19
5		1	High-pressure water pump Page E27,E31
6	038219	1	Main valve control block Page F5
7	025103	1	Filter high pressure Page B1,F21
8	034268	1	Hydraulic gear pump, 19.2cc Page F13
9	034415	1	Hydraulic oil tank Page F3
10	033711	1	Radiator oil/water Page F1
11	001002	2	. Hose, rubber, $\frac{1}{4}$ " BSP x 3700mm
12	034894	1	. Pipe, steel, \varnothing 12mm
13	034893	1	. Pipe, steel, \varnothing 12mm
14	011328	2	. Hose, rubber, $\frac{1}{4}$ " BSP x 1780mm
15	010980	2	. Hose, rubber, $\frac{1}{4}$ " BSP x 432mm
16	010958	AR	. Hose, rubber, $\frac{3}{8}$ " bore
17	010985	1	. Hose, rubber, $\frac{1}{4}$ " BSP x 2150mm
18	001023	1	. Hose, rubber, $\frac{3}{8}$ " BSP x 710mm
19	001171	1	. Hose, rubber, $\frac{3}{8}$ " BSP x 250mm
20	001023	1	. Hose, rubber, $\frac{3}{8}$ " BSP x 710mm
21	011198	1	. Tee, M/M/M, $\frac{5}{8}$ " BSP
22	011343	1	. Hose, rubber, $\frac{3}{8}$ " BSP x 4000mm
23	001058	1	. Hose, rubber, $\frac{1}{2}$ " BSP x 3500mm
24	001239	1	. Hose, rubber, $\frac{1}{2}$ " BSP x 150mm
25	011181	1	. Tee, M/M/M, $\frac{1}{2}$ " BSP
26	010995	1	. Hose, rubber, $\frac{1}{2}$ " BSP x 1065mm
27	011000	AR	. Hose, rubber, $\frac{5}{8}$ " bore
28	014827	AR	. Hose, rubber, 1" bore (Red Line)
29	011307	1	. Hose, rubber, $\frac{3}{8}$ " BSP x 1300mm
30	011310	1	. Hose, rubber, $\frac{3}{8}$ " BSP x 300mm



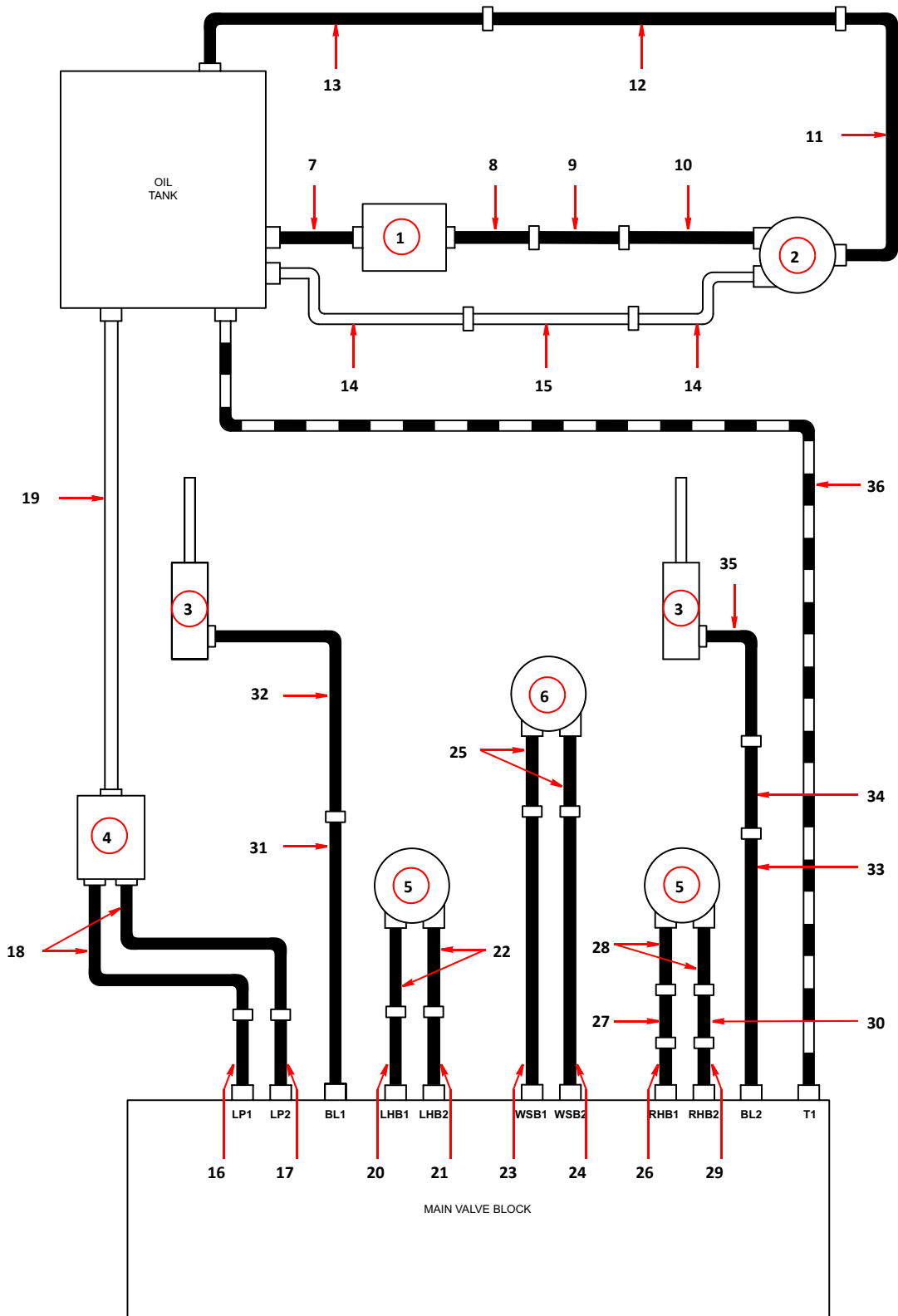
LEGEND

— Suction/High Pressure

- - - Return Pressure

HOPPER, REAR DOOR & HP PUMP, HYDRAULIC CIRCUIT

Item	Part Number	Quantity	Description
Hydraulic Circuit - Brushes, LP Water and Suction Fan			
1	023620	1	Suction fan pump Page F13
2	024641	1	Suction fan motor Page F15
3	024539	2	Hydraulic ram, brush lift Page D1,F19
4		1	LP water pump Page E9,E13
5	010749	2	Motor hydraulic, LH/RH side brush Page D1,F17
6	010566	1	Motor hydraulic, wide sweep brush Page D5,F17
7	014827	AR	. Hose, rubber, 1" Bore (red line)
8	001244	1	. Hose, rubber, 3/4" BSP x 4800mm (fan feed)
9	034899	1	. Pipe, steel, 18mm (fan feed)
10	001245	1	. Hose rubber, 3/4" BSP x 1500mm (fan feed)
11	001245	2	. Hose rubber, 3/4" BSP x 1500mm (fan return)
12	034899	1	. Pipe, steel, 18mm (fan return)
13	001038	1	. Hose, rubber, 3/4" BSP x 3600mm (fan return)
14	010958	AR	. Hose, rubber, 3/8" Bore (fan drain)
15	034893		. Pipe, steel, 12mm (fan drain)
16	034881	1	. Pipe, steel, 12mm (LP pump feed)
17	034880	1	. Pipe, steel, 12mm (LP pump return)
18	001042	2	. Hose, rubber, 3/8" BSP x 680mm (LP pump feed/return)
19	010958	AR	. Hose, rubber, 3/8" bore (LP pump case drain)
20	034886	1	. Pipe, steel, 12mm (LH side brush feed)
21	034887	1	. Pipe, steel, 12mm (LH side brush return)
22	001167	2	. Hose, rubber, 3/8" BSP x 1200mm (LH side brush feed/return)
23	034889	1	. Pipe, steel, 12mm (wide sweep feed)
24	034888	1	. Pipe, steel, 12mm (wide sweep return)
25	001022	2	. Hose, rubber, 3/8" BSP x 770mm (wide sweep feed/return)
26	034882	1	. Pipe, steel, 12mm (RH side brush feed)
27	034883	1	. Pipe, steel, 12mm (RH side brush feed)
28	001167	2	. Hose, rubber, 3/8" BSP x 1200mm (RH side brush feed/return)
29	034884	1	. Pipe, steel, 12mm (RH side brush return)
30	034885	1	. Pipe, steel, 12mm (RH side brush return)
31	034890	1	. Pipe, steel, 6mm (LH side brush lift)
32	001160	1	. Hose, rubber, 1/4" BSP x 950mm (LH side brush lift)
33	034891	1	. Pipe, steel, 6mm (RH side brush lift)
34	034892	1	. Pipe, steel, 6mm (RH side brush lift)
35	001160	1	. Hose, Rubber, 1/4" BSP x 950mm (RH side brush lift)
36	011000	AR	. Hose, rubber, 5/8" bore (valve block return)



LEGEND	
	Suction/High Pressure
	Return Pressure
	Case Drain

**BRUSHES, LP WATER & SUCTION FAN
HYDRAULIC CIRCUIT**

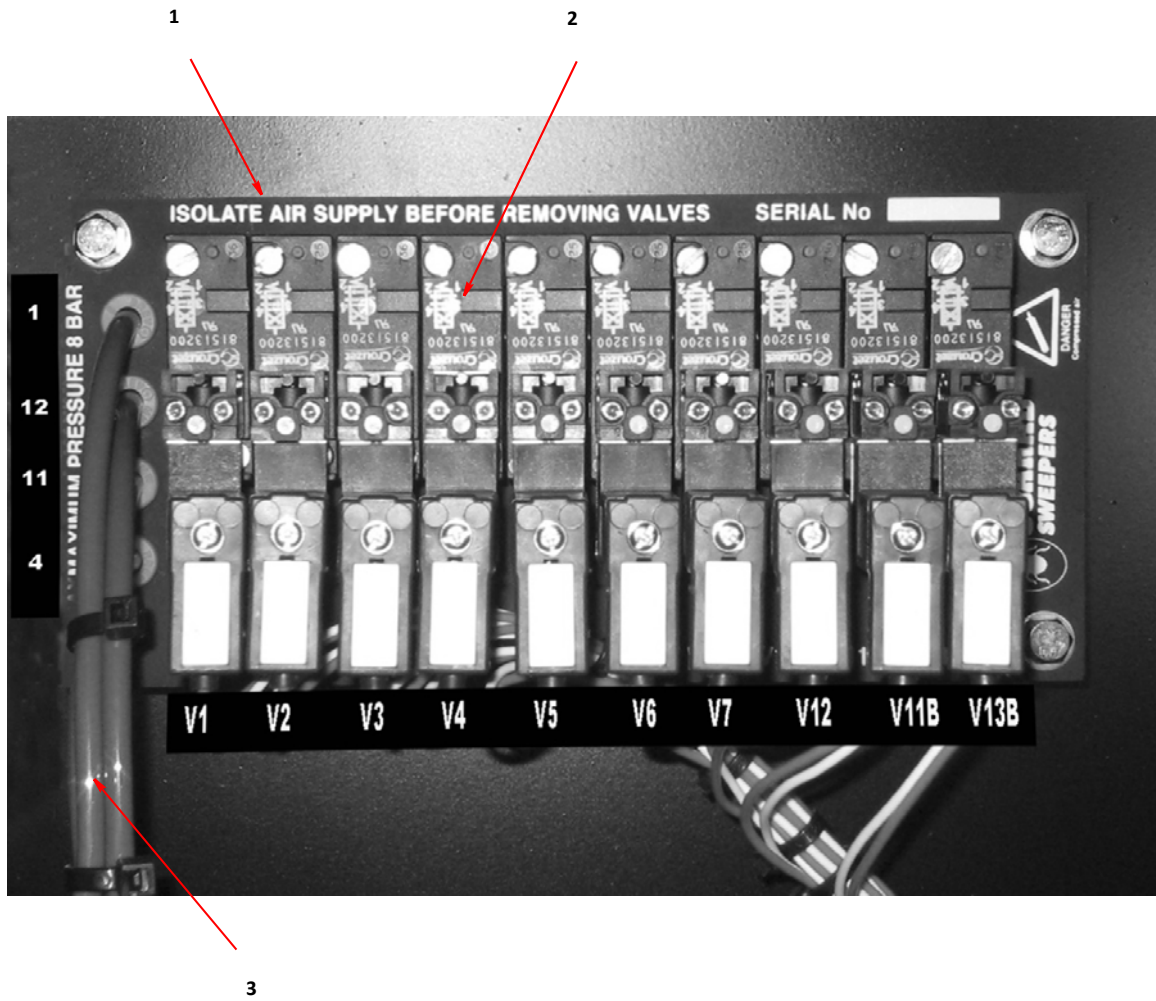
<i>Part Number</i>	<i>Quantity</i>	<i>Description</i>
		Clamps for Steel Piping
027980		Clamp block, single, 6mm
027981		Clamp block, single, 12mm
027982		Clamp block, single, 25mm
027983		Clamp block, double, 6mm x 6mm
027984		Clamp block, double, 12mm x 12mm
027985		Clamp block, double, 6mm x 12mm
027986		Clamp block, double, 12mm x 14mm
027987		Clamp block, double, 17.2mm x 17.2mm
027988		Clamp block, double, 18mm x 18mm
027989		Top plate 2-hole, small
027990		Top plate 2-hole, large
027991		Bottom plate 2-hole, small
027992		Bottom plate 2-hole, large
027993		Bottom plate 1-hole, small
027994		Bottom plate 1-hole, medium
027995		Bottom plate 2-hole, large
027996		Top plate 1-hole, small
027997		Top plate 1-hole, medium
027998		Top plate 1-hole, large

PNEUMATIC SYSTEM SECTION G

TABLE OF CONTENTS

<i>Assembly/Description</i>	<i>Page</i>
Pneumatic Control Valves	1
Pneumatic Filter, Regulator, Lubricator Arrangement	3
Pressure Regulator Valve, Switch, Wide Sweep & Side Brush	3
Pneumatic Cylinder, Wide Sweep Raise/Lower - Assembly	5
Pneumatic Cylinder, Wide Sweep Slewing - Assembly	5
Pneumatic Cylinder, Suction Nozzle Raise/Lower - Assembly	7
Pneumatic Cylinder, Suction Nozzle Tilt - Assembly	7
Pneumatic Cylinder, Side Brush Swing In/Out - Assembly	9
Pneumatic Cylinder, Side Brush Pressure - Assembly	9
Pneumatic Cylinder, Auto Blanking - Assembly	9

<i>Item</i>	<i>Part Number</i>	<i>Quantity</i>	<i>Description</i>
			Pneumatic Control Valves
1	034178	1	. Pneumatic valve block Page H3
2	035673	AR	. . Valve and solenoid (Standard)
3	024650	AR	. . Airline, green, ø6mm



PNEUMATIC CONTROL VALVES

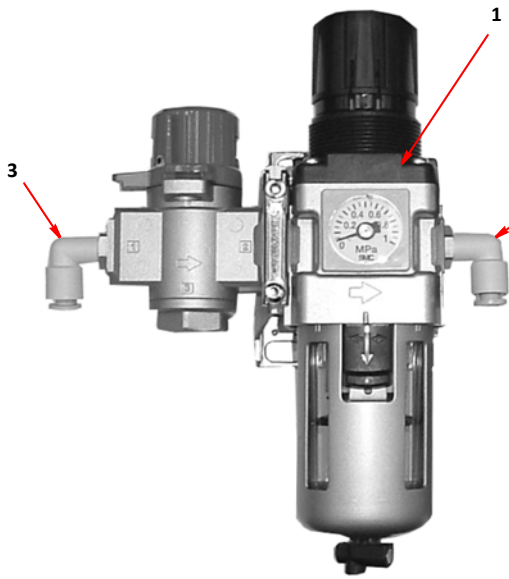
<i>Item</i>	<i>Part Number</i>	<i>Quantity</i>	<i>Description</i>
Pneumatic Filter, Regulator, Lubricator Arrangement			
1	032519	1	Pneumatic filter/regulator without lubricator, assembly
2	039753	1	Pneumatic filter/regulator with lubricator, assembly
3	023203	2	. Elbow, push-in, 6mm x $\frac{1}{4}$ " BSP
	011010	4	. Setscrew, M8 x 20mm
	011092	8	. Washer, M8
	011073	4	. Nut, M8, Nyloc
NI	024650	AR	. . . Airline, green, \varnothing 6mm
NI	005046	50ml	. Lubrication fluid

<i>Item</i>	<i>Part Number</i>	<i>Quantity</i>	<i>Description</i>
Pressure Regulator Valve, Switch, Wide Sweep & Side Brush *			
1	023242**	1	. Valve, pressure regulator
2	023246**	1	. . Gauge, 0 - 10 bar, $\frac{1}{4}$ " BSP
3	024645**	2	. . Connector, elbow, push-fit, 6mm - $\frac{1}{8}$ " BSP
4	024650**	AR	. . . Airline, green, \varnothing 6mm
5	023245**	1	. . Bracket
6	038328	1	. Pneumatic switch, side brush pressure up or down
7	024645	5	. . Connector, elbow, push-fit, 6mm - $\frac{1}{8}$ " BSP
8	024650	AR	. . . Airline, green, \varnothing 6mm

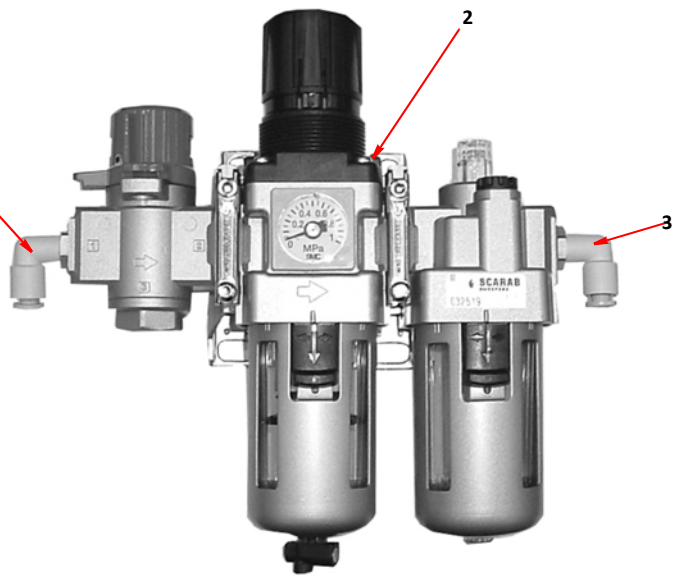
Notes:-

* The location of these components is normally in the Node/Pneumatic cabinet, but could be installed elsewhere. Please contact the Scarab Parts Department for help with correct fittings etc.

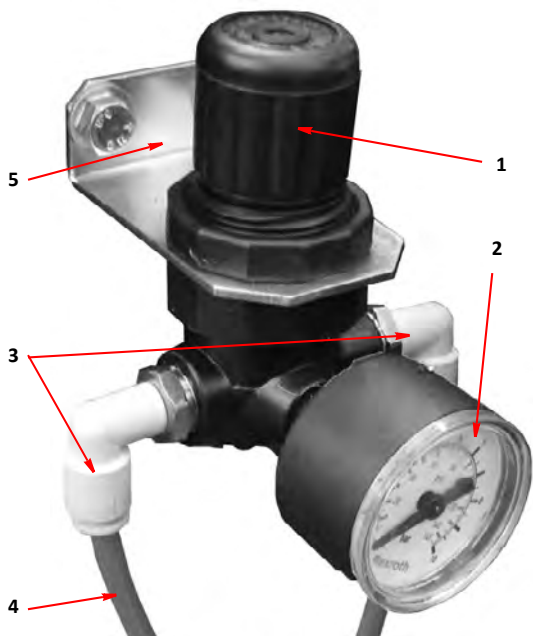
** These components are common to both the wide sweep pressure and the side brush pressure, regulators.



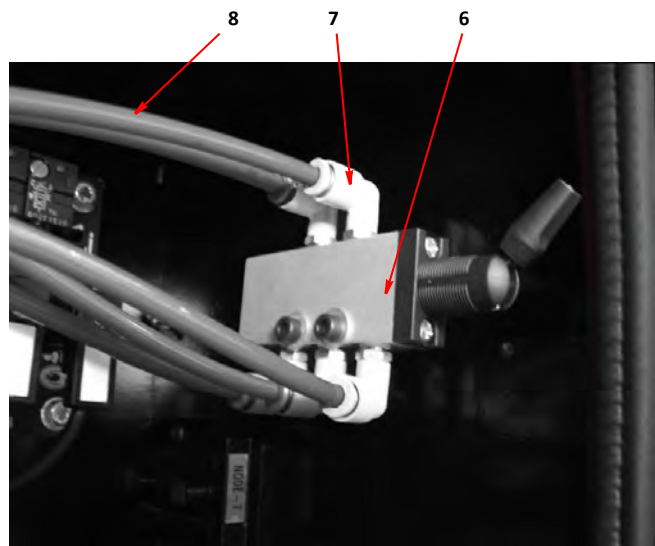
PNEUMATIC FILTER/REGULATOR



PNEUMATIC FILTER/REGULATOR/LUBRICATOR



PRESSURE REGULATOR VALVE AND GAUGE



SIDE BRUSH PRESSURE UP OR DOWN SWITCH

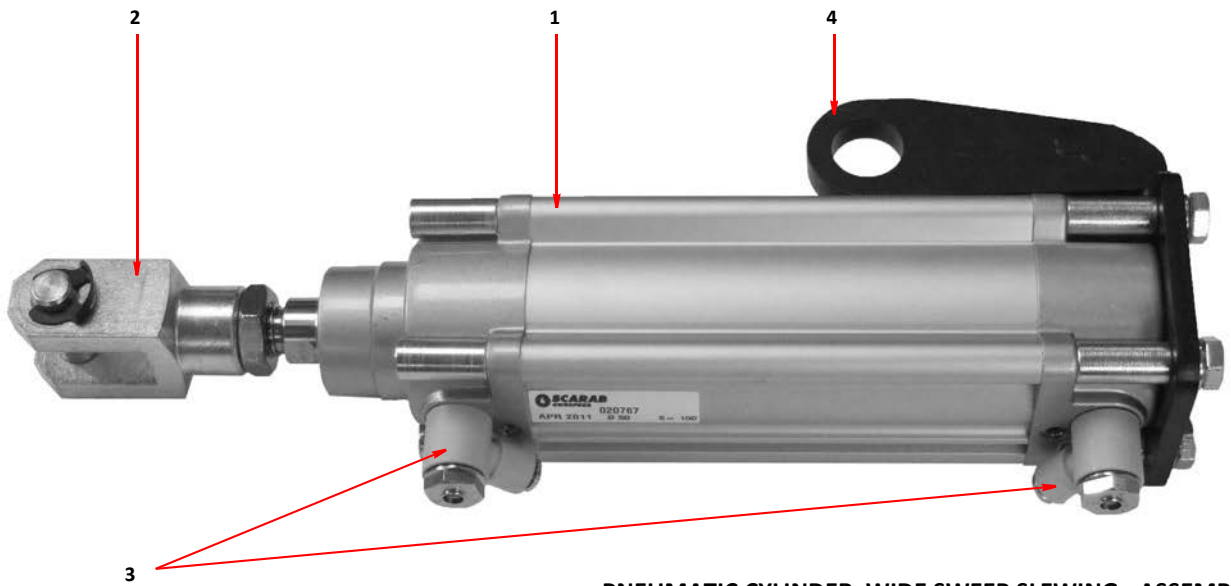
<i>Item</i>	<i>Part Number</i>	<i>Quantity</i>	<i>Description</i>
Pneumatic Cylinder, Wide Sweep Raise/Lower - Assembly *			
1	020602	1	. Pneumatic cylinder, 40 x 125 Page D5
2	014469	1	. . Clevis
3	023270	1	. . . Clevis retaining pin
4	023269	1	. . . Clevis retaining pin clip
5	030532	1	. . Pivot Bracket
	011067	4	. . . Setscrew, M6 x 20mm
	011091	4	. . . Spring washer, M6

<i>Item</i>	<i>Part Number</i>	<i>Quantity</i>	<i>Description</i>
Pneumatic Cylinder, Wide Sweep Slewing - Assembly			
1	020767	1	. Pneumatic cylinder, 40 x 125 Page D7
2	036621	1	. . Clevis, includes pin and retaining clips
3	021158	2	. . Flow regulator
4	036620	1	. . Pivot Bracket
	011010	4	. . . Setscrew, M8 x 20mm
	011093	4	. . . Spring washer, M8

Notes:-
 * There are two wide sweep raise/lower cylinders per wide sweep.



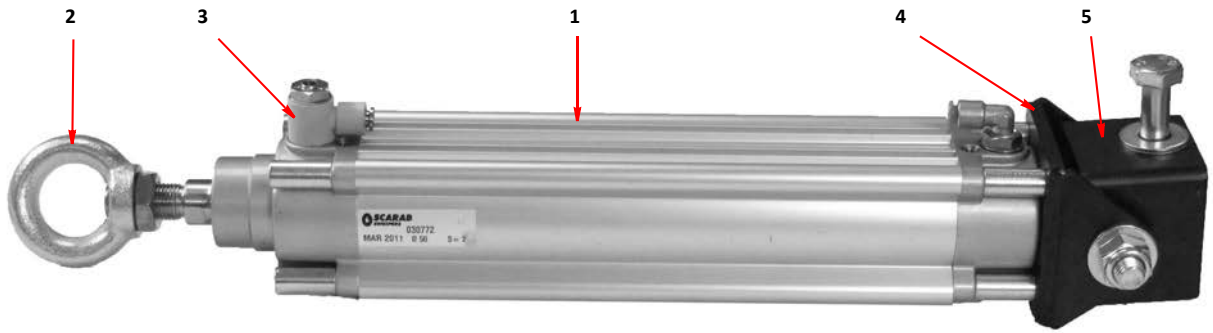
PNEUMATIC CYLINDER, WIDE SWEEP RAISE/LOWER - ASSEMBLY



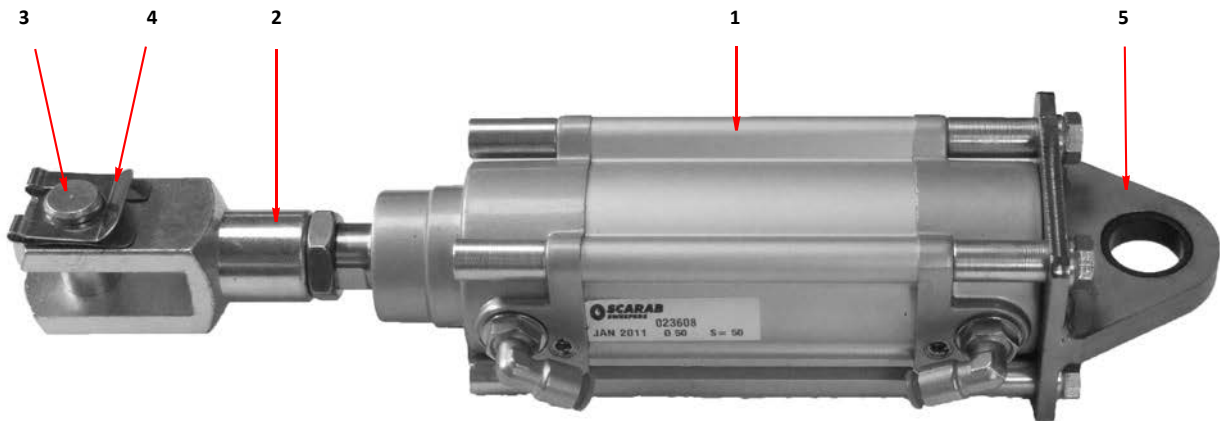
PNEUMATIC CYLINDER, WIDE SWEEP SLEWING - ASSEMBLY

<i>Item</i>	<i>Part Number</i>	<i>Quantity</i>	<i>Description</i>
	031330		Pneumatic Cylinder, Suction Nozzle Raise/Lower - Assembly
1	030772	1	. Pneumatic cylinder, 50 x 200 Page D11
2	032293	1	. . Ring nut
3	021158	1	. . Flow regulator
4	030772	1	. . Pivot bracket
	000003	4	. . . Screw, countersunk socket, M8 x 20mm
5	030776	1	. . . Pivot block
	011057	2 Bolt, M12 x 100mm
	011096	4 Washer, M12
	011077	2 Nut, M12, Nyloc

<i>Item</i>	<i>Part Number</i>	<i>Quantity</i>	<i>Description</i>
	032119		Pneumatic Cylinder, Suction Nozzle Tilt - Assembly
1	023608	1	. Pneumatic cylinder, 40 x 160 Page D9
2	020299	1	. . Clevis
3	022673	1	. . . Clevis retaining pin
4	022674	1	. . . Clevis retaining pin clip
5	023827	1	. . Pivot bracket
	011010	4	. . . Bolt, M8 x 20mm
	011093	4	. . . Spring washer, M8



PNEUMATIC CYLINDER, SUCTION NOZZLE RAISE/LOWER - ASSEMBLY



PNEUMATIC CYLINDER, SUCTION NOZZLE TILT - ASSEMBLY

<i>Item</i>	<i>Part Number</i>	<i>Quantity</i>	<i>Description</i>
	022587		Pneumatic Cylinder, Side Brush Swing In/Out - Assembly
1	020298	1	. Pneumatic cylinder, 50 x 160 Page D3
2	020299	1	. . Clevis
3	022673	1	. . . Clevis retaining pin
4	022674	1	. . . Clevis retaining pin clip
5	020534	1	. . Bracket, pivot
	011011	4	. . . Bolt, M8 x 25mm
	011093	4	. . . Spring washer, M8
NI	024990	1	. . Seal kit, pneumatic cylinder

<i>Item</i>	<i>Part Number</i>	<i>Quantity</i>	<i>Description</i>
	023370		Pneumatic Cylinder, Side Brush Pressure - Assembly
1	020298	1	. Pneumatic cylinder, 50 x 160 Page D3
2	020299	1	. . Clevis
3	022673	1	. . . Clevis retaining pin
4	022674	1	. . . Clevis retaining pin clip
5	023122	1	. . Bracket, pivot
	011011	4	. . . Bolt, M8 x 25mm
	011093	4	. . . Spring washer, M8
6	023123	1	. . . Pin, $\varnothing 16\text{mm} \times 46\text{mm}$
	011135	2 Washer, M16
	011122	2 Split pin, $\frac{3}{16}'' \times 1\frac{1}{2}''$
NI	024990	1	. . Seal kit, pneumatic cylinder

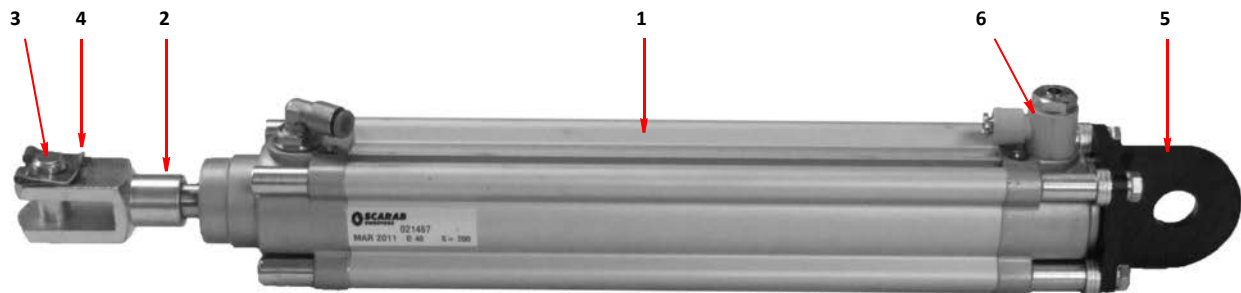
<i>Item</i>	<i>Part Number</i>	<i>Quantity</i>	<i>Description</i>
	026319		Pneumatic Cylinder, Auto Blanking - Assembly
1	021467	1	. Pneumatic cylinder, 40 x 200 Page C9
2	014469	1	. . Clevis
3	023270	1	. . . Clevis retaining pin
4	023269	1	. . . Clevis retaining pin clip
5	014457	1	. . Pivot bracket
	011087	4	. . . Bolt, M6 x 25mm
	011090	12 Washer, M6
	011091	4 Spring washer, M6
6	021158	1	. . Flow regulator



PNEUMATIC CYLINDER, SIDE BRUSH SWING IN/OUT - ASSEMBLY



PNEUMATIC CYLINDER, SIDE BRUSH PRESSURE - ASSEMBLY



PNEUMATIC CYLINDER, AUTO BLANKING - ASSEMBLY

ELECTRICAL SYSTEM SECTION H

TABLE OF CONTENTS

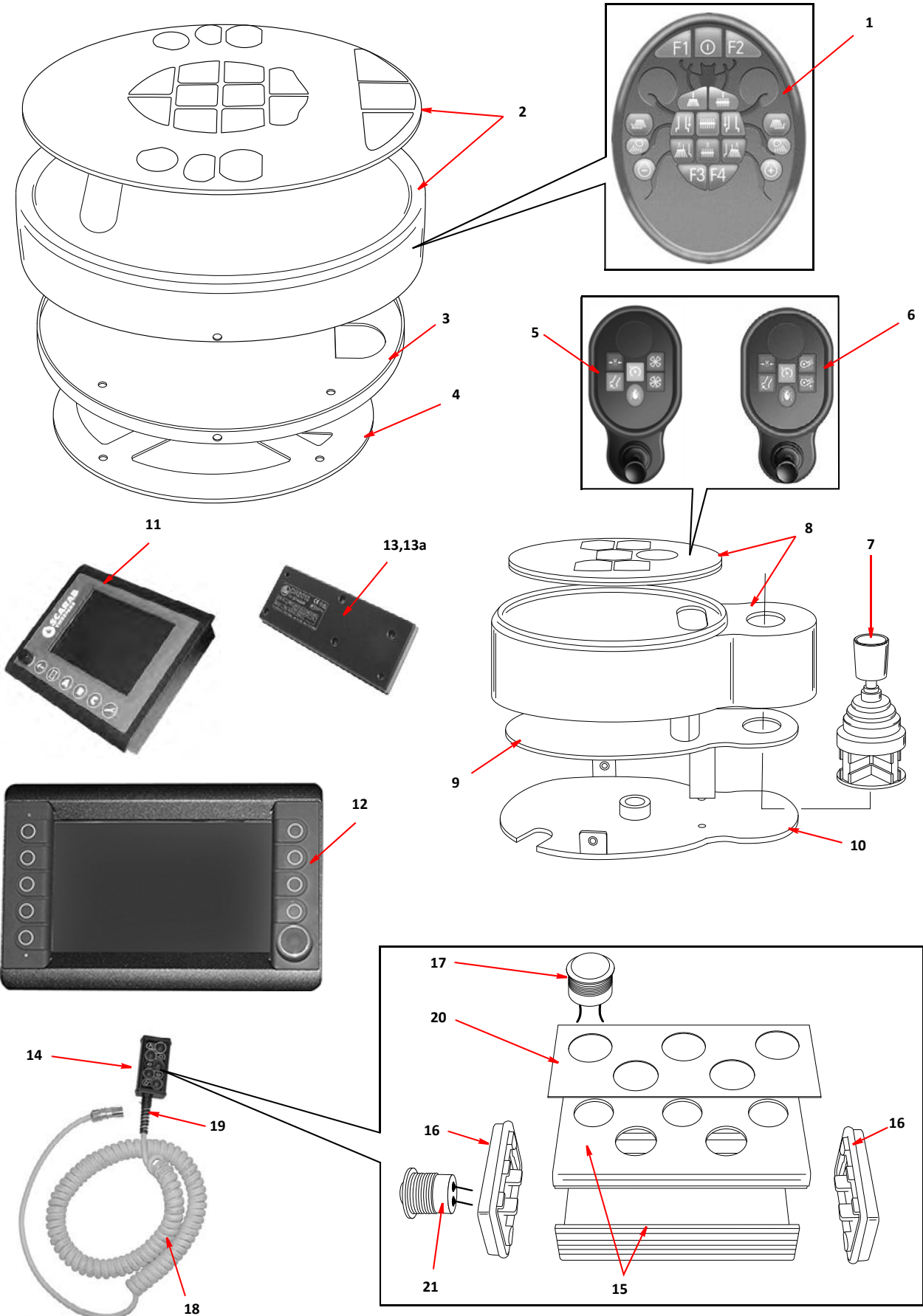
<i>Assembly/Description</i>	<i>Page</i>
Electrical Components - Cab.	1
Node and Pneumatic Enclosure Assembly	3
Battery Junction Box	3
Electrical - Wiring Looms, Connectors	5
Electrical - Switches and Sensors	5
Electrical - Fuses	5
Electrical - Relays	5
Electrical - Lamps and LEDs	6
Electrical - Beacons	6
Electrical - Spare Bulbs	6
Electrical - Other Components	6

<i>Item</i>	<i>Part Number</i>	<i>Quantity</i>	<i>Description</i>
Electrical Components - Cab			
1		1	Main control panel Page A1,A3
2	038640*	1	. Main control panel, keypad and enclosure assembly
3	037053	1	. Enclosure back, main control panel
4	037055	1	. . Fixing plate, main control panel
	000304	8	. . . Screw, socket button-head, M4 x 10mm
	000134	8	. . . Nut, M4, Nyloc
5		1	Auxiliary controller Page A1
6		1	Auxiliary controller, new fan symbols Page A3
7	036873	1	. Switch, multifunction
8	038103*	1	. Auxiliary controller, keypad and enclosure assembly
8	037608*	1	. Auxiliary controller, keypad and enclosure assembly, new fan symbols
9	037057	1	. . Support plate
10	037056	1	. . Back plate, LH mounting (shown)
10	037057	1	. . Back plate, RH mounting
11	037046	1	Display screen Page A1
12	038553	1	Display screen Page A3
13	036799**	3	Node, cabinet module (CR2012) Page A1,A3
13a	038985**	3	Node, E9G212, cabinet module (CR2012) Page A1,A3
14	037074	1	Hopper controller (complete) Page A1,A3
15	037065	1	. Hopper controller, body
16	037066	2	. . Hopper controller, end cap, drilled, (with seal and screws)
	000413	4	. . . Screw, Pozidriv, pan head, No.4 x $\frac{3}{4}$
17	037068	5	. . . Switch, push button Page H5
18	037069	1	. . Hopper controller cable, complete with connector
19	037070	1	. . . Gland, cable strain relief
NI	037071	1 Nut, cable strain relief gland
20	037072	1	. . Hopper controller, controls label
21	038223	1	. . . Switch, push button (Green) Page H5
NI	038224	1	. . . Switch protection bezel

Notes:-

* These are factory bonded as a single item.

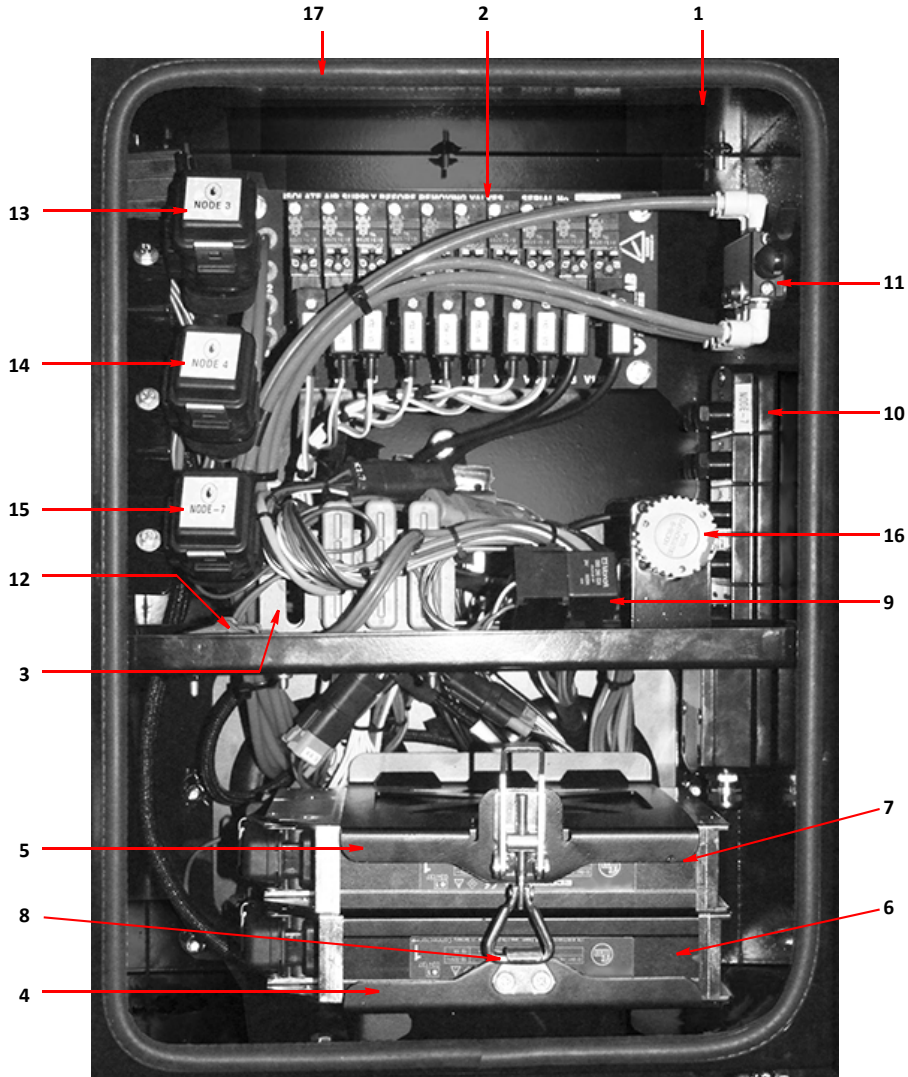
** Please contact the Scarab Parts Department regarding these nodes.



ELECTRICAL COMPONENTS - CAB

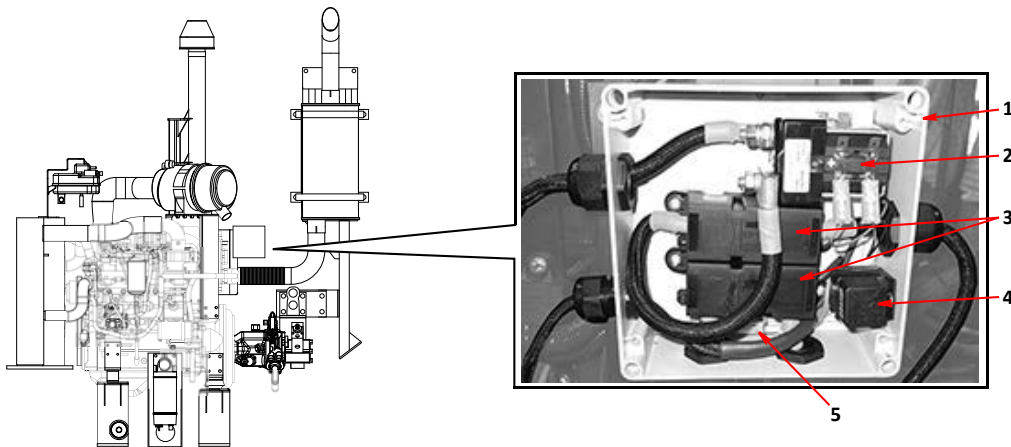
<i>Item</i>	<i>Part Number</i>	<i>Quantity</i>	<i>Description</i>
Node and Pneumatic Enclosure Assembly			
1	038209	1	. Enclosure, Node and pneumatic Page C1
NI	034327	1	. . Door, Node and pneumatic enclosure
NI	033634	1	. . . Catch, sealed, door
	011011	2	. . . Setscrew, M8 x 25mm
	011092	4	. . . Washer, M8
	011073	2	. . . Nut, M8, Nyloc
2	034178	1	. . Pneumatic control valves Page G1
3	038212	1	. . Earth strip frame, (splice saver)
4	038210	1	. . Node carrier, lower
5	038211	1	. . Node carrier, upper
6	036798	1	. . Node 3, mobile controller, CR0505
7	036797	1	. . Node 4, mobile controller, CR0020
8	010509	1	. . . Latch, toggle clip, node carrier
8	021841	1	. . . Hook, toggle clip, node carrier
9	014718	1	. . Relay, cross-over Page H5
10	038214	1	. . Node 7, compact module, CR2031
11	038328	1	. . Side brush pressure toggle switch (Option) Page G3
12			. . Fuse holder, (F29)
13			. . Fuse holder, Node 3 (F1, F2, F3, F4)
14			. . Fuse holder, Node 4 (F25, F26, F27, F28)
15			. . Fuse holder, Node 7 (F30, F31, F32, F33)
16			. . Connector, service interface
17	025222	AR	. . Seal, rubber, (Titanfast, section DX78)
NI	004489	1	. . Boot, rubber, 6mm
NI	034807	2	. . Panel sock
NI	035664	1	. . Loom plate, control box
NI	036843	1	. . Power post red
NI	036844	2	. . Power connection link

<i>Item</i>	<i>Part Number</i>	<i>Quantity</i>	<i>Description</i>
Battery Junction Box			
NI	038802	1	. Mount, junction box Page B1
1	037308	1	. . Enclosure, battery junction box Page B1
2	034207	1	. . . Relay, air heat Page H5
3	004506	2	. . . Fuse holder, Mega
NI	004422	2 Fuse 125 Amp Page H5
4	014718	1	. . . Relay, cross over, 24V Page H5
5	014291	1	. . . Fuse 25 Amp blade Page H5



Enclosure shown with Node 7 and Side Brush Pressure Switch

NODE/PNEUMATIC ENCLOSURE



BATTERY JUNCTION BOX

<i>Part Number</i>	<i>Description</i>
	Electrical - Wiring Looms, Connectors
036911	Hopper loom
036912	Main control panel loom Page A1,A3
036913	Auxiliary controller loom Page A1,A3
036914	Main control panel, power, loom Page A1,A3
036915	Auxiliary controller, power, loom Page A1,A3
036916	Screen loom Page A1,A3
037047	Loom, Hopper controller Page A1,A3
037307	Node 3 Cummins loom
038013	Cab loom Page A1,A3
038116	Node 4 loom
038228	Node 7 loom
038330	Hydraulic loom
039705	Cable, M12 plug with Deutsch DT 2 way x 3m Page F7
040126	Electric water pump loom
040353	Loom, power supply, rear camera Page A3, C17
040355	Loom, rear camera Page A3, C17

<i>Part Number</i>	<i>Description</i>
	Electrical - Switches and Sensors
032627	Hopper 'raised' sensor Page C3
036871	Float switch and amp (water level) Page E1
037068	Switch, push button Page H1
037226	Sensor, fluid level, radiator expansion tank Page F1
038223	Switch, push button (Green) Page H1

<i>Part Number</i>	<i>Description</i>
	Electrical - Fuses
004495	Fuse 2 Amp mini
004392	Fuse 7.5 Amp mini
004393	Fuse 10 Amp mini
004394	Fuse 15 Amp mini
004395	Fuse 20 Amp mini
004397	Fuse 30 Amp mini
004326	Fuse 1 Amp blade
004485	Fuse 2 Amp blade
014284	Fuse 3 Amp blade
014285	Fuse 4 Amp blade
014286	Fuse 5 Amp blade
014287	Fuse 7.5 Amp blade
014288	Fuse 10 Amp blade
014289	Fuse 15 Amp blade
014290	Fuse 20 Amp blade
014291	Fuse 25 Amp blade
014292	Fuse 30 Amp blade
004422	Fuse 125 Amp Mega Page H3

<i>Part Number</i>	<i>Description</i>
	Electrical - Relays
014718	Relay, cross over, 24V Page H3
034207	Relay, contactor 24V Page H3

<i>Part Number</i>	<i>Description</i>
	Electrical - Lamps and LEDs
037084	Work lamp, halogen, 24v x 70Watt Page D13
030773	Marker lamp LED 'Red' (hopper mounted) Page C13
038769	LED work lamp Page D13

<i>Part Number</i>	<i>Description</i>
	Electrical - Beacons
014064	Beacon, 24V (Standard) Page C13
011497	. Bulb, halogen, 24V x 70 Watt (H1) (Beacon)

<i>Part Number</i>	<i>Description</i>
	Electrical - Spare Bulbs
004153	Bulb, halogen, 24V x 5 Watt, (434)
004174	Bulb, halogen, 24V x 70 Watt
004185	Bulb, work lamp, 24V 21 Watt
011489	Bulb, 24V x 5 Watt
011490	Bulb, 24V x 21 Watt, (single contact)
011492	Bulb, 24V x 2.8 Watt, (LLB865)
011497	Bulb, halogen, 24V x 70 Watt (H1) (Beacon)

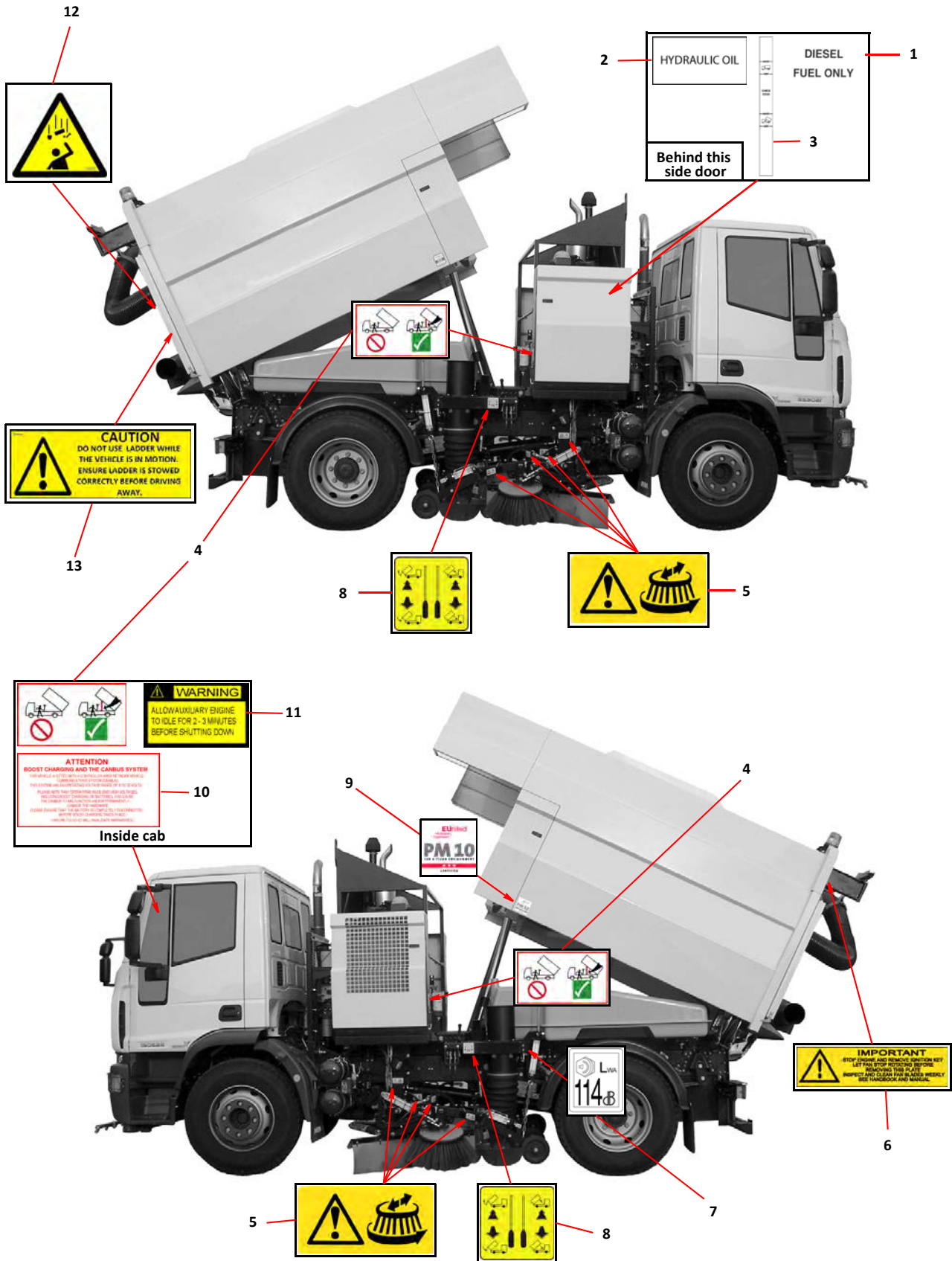
<i>Part Number</i>	<i>Description</i>
	Electrical - Other Components
037048	Sounder (for keypad) Page A1,A3
037666	Sounder, hopper and door operation
040046	Pump, electric, low pressure water Page E7
040354	Camera Page C17
041534	Camera splitter unit Page A3
040597	USB memory stick, 2GB

LABELS AND DECALS SECTION J

TABLE OF CONTENTS

<i>Assembly/Description</i>	<i>Page</i>
Safety and Information Labels	1
Scarab Badges and Vinyl Decals	3

<i>Item</i>	<i>Part Number</i>	<i>Quantity</i>	<i>Description</i>
Safety and Information Labels			
1	021058	1	Diesel fuel oil
2	028408	1	Hydraulic oil
3	035872	1	Hydraulic oil level
4	022384	3	Warning, hopper prop deployment
5	022383	10	Warning, brush movement
6	021061	1	Warning, fan inspection (located inside inspection cover)
7	027774	1	Sound level
8	035767	1	Manual valve operation
9	039869	1	PM10 EUnited 3 Star, (Year of Manufacture)
NI	039868	1	PM10 EUnited 2 Star, (Year of Manufacture)
10	032409	1	Warning, boost charging
11	032935	1	Warning, auxiliary engine shut-down
12	039550	1	Warning, Debris warning, on rear inspection hatch Page C17
13	039866	1	Warning, Ladder stowage, on rear door Page C17



INFORMATION AND SAFETY LABEL LOCATIONS

<i>Item</i>	<i>Part Number</i>	<i>Quantity</i>	<i>Description</i>
			Scarab Badges and Vinyl Decals
1	036374	3	Vinyl decal, Scarab M6
2	030200	2	Body badge, Scarab



An example application but actual application will depend upon livery requirements

INDEX

SECTION K

A

access ladder	C3
air box	B1
air filter	B1, B5
alternator	B2
alternator belt	B1, B5
auxiliary controller	A1, A3
auxiliary controller (door pod)	A3

B

beacon	C13
bearing assembly (wide sweep)	D7
brush element (poly - wide sweep)	D5, D13

C

camera	A3
camera (rear)	C17
chute (hopper discharge)	C13
coil (water valve)	E17
control panel	A1, A3
cover (wide sweep)	D5

D

discharge chute (hopper)	C5
display	A1, A3
door pod	A1, A3

E

engine	B1, C1
engine oil filter	B5
exhaust	B1

F

fan guard	C7
filter (fuel)	B2
filter (hopper)	C7
filter (hydraulic)	B1
filter (oil)	B1
filter (pre-fuel)	B2
filter (water)	E7
filter (water)	E3, E9, E13
filter element (water)	E3, E7, E9, E13
flap front/rear (suction nozzle box)	D9
flap side (suction nozzle box)	D9
fuel filter	B5
fuel level	B3
fuel tank	B3, C1

G

Gas strut (wander boom support)	D15
gas strut (wander boom support)	D17

H

hand lance	E25
hopper	C1, C5
hose (hopper drain)	C13
hose (hose reel)	E25
hose (suction nozzle)	D9
hose reel	E25
hydraulic high pressure filter	B5
hydraulic motor (high pressure water pump)	E27, E31
hydraulic motor (side brush)	D1
hydraulic motor (water pump)	E13
hydraulic motor (wide sweep)	D5
hydraulic oil tank	C1
hydraulic pressure filter	B5
Hydraulic ram	F19
hydraulic ram (hopper rear door)	C13, C15
hydraulic ram (side brush raise/lower)	D1
hydraulic return filter	B5

I

impellor (suction fan)	C11
inspection/cleaning hatch	C17

L

ladder (rear door) C17
lamp H6
light (work) D13
locker door C5
locking assembly (rear door) C13
locking bar (hopper rear door) C15
Loom H5
loom H5
loom (auxiliary control panel) A3
loom (auxiliary controller) A1
loom (cab) A1, A3
loom (display screen) A1, A3
loom (hopper remote controller) A1, A3
loom (main control panel) A1, A3
loom (power - auxiliary controller) A1, A3
loom (power - main control panel) A1, A3
loom (power - rear camera) A3, C17
loom (rear camera) A3, C17

M

marker light C13
Motor F15, F17, F25
motor F25
motor (suction fan) C11

N

node A1, A3

O

oil drain plug B2

oil/water cooler C1

P

Pneumatic cylinder G5, G7, G9

pneumatic cylinder (auto blanking) C9

pneumatic cylinder (side brush pressure) D3

pneumatic cylinder (side brush swing in/out) D3

pneumatic cylinder (suction nozzle raise/lower) D11

pneumatic cylinder (suction nozzle tilt) D9

pneumatic cylinder (wide sweep slew) D7

pneumatic cylinder (wide sweep) D5

pre-fuel filter B5

pressure reducer (water) E7

pressure relief valve (water) E9, E13

Pump F15

pump F25

pump (high pressure water) E27, E31

pump (hydraulic) B1

R

radiator (oil and intercooler) B1

ram F23, F25

ram (hopper lifting) C1

rear door C15

rear door (hopper) C13, D17

rear door with inspection hatch (hopper) C17, D15

remote controller A3

remote controller (hopper) A1, A3

S

safety air filter B5

safety prop (hopper rear door) C13

safety prop (hopper) C1, C3

screen A1, A3

screen (hopper) C7

sensor (hopper 'RAISED') C3

shock absorber (wide sweep) D5

side brush (poly) D1, D13

side brush (steel) D1, D13

side brush (weed ripper) D1, D13

silencer B1

skid plate (suction nozzle box) D9

skirt (side brush) D13

skirt (wide sweep) D13

solenoid (water valve) E17

spray bar E19, E21

spray jet (dust suppression) E23

spray jet (side brush) E19
starter motor B2
suction fan C5
suction filter B5
suction nozzle box D9
suction tube (wander boom) D15
suction tube (wander hose) D17

T

thermostat B2
turbo-charger B2

V

valves (water) E13, E17

W

wander hose D15, D17
warning label C17
water pump (electric) E7
water pump (roller) E9
water pump (twin) E13
water tank C1, E1
wheel (suction nozzle) D9

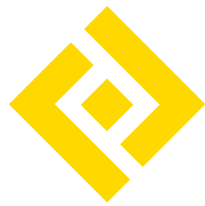


SCARAB
FAYAT GROUP



M6 SKID MOUNTED ROAD SWEEPER

ILLUSTRATED PARTS CATALOGUE



SCARAB
FAYAT GROUP

ILLUSTRATED PARTS CATALOGUE

M6

with CANbus 3.1 Control System

Manual Z043095

Issue: 1.1.3 October 2015



To download the latest version scan the QR Code or visit our website.

Scarab Sweepers Limited
Pattenden Lane - Marden - Kent TN12 9QD, UK
T: +44 (0)1622 831 006 - F: +44 (0)1622 832 417
E: scarab@scarab-sales.com - W: scarab-sweepers.com
Registered in England No. 18923459 - VAT No. GB 374 5002 68
Registered Office: Pattenden Lane, Marden, Tonbridge, Kent TN12 9QD, UK

Manual Number Z043095 / E&OE

 Find us on
Facebook
www.facebook.com/roadsweepers



Cert No. 5757
ISO 9001

© SCARAB SWEEPERS 2015

Important Notice To Users

This manual is published by the Technical Publications Department of Scarab Sweepers Limited and every effort is made to ensure that the information it contains is correct at the time of publication. Due to a policy of continuous development, however, the Company reserves the right to alter the specification and to supply when so altered without reference to illustrations and descriptions in this manual.

Parts depicted or mentioned in this manual may or may not be fitted to your particular road sweeper due to various options that may or may not have been selected and does not therefore infer that the part should be fitted to your particular road sweeper or is missing. If in doubt then please contact the Scarab Parts Department for clarification.

It is imperative that the correct model is FULLY identified when procuring replacement parts for your Scarab Sweeper. To avoid unnecessary confusion and delays caused by incorrectly ordered parts, please refer to the Vehicle Serial Number (CE) Plate and take note of the vehicle's number.

i The Serial Number Plate is located on the left hand side of the subframe, below the hydraulics cabinet door.

The example shown here is for guidance only.



CE	Scarab Road Surface Cleaner	Scarab Sweepers Limited
	www.scarab-sweepers.com	Pattenden Lane, Marden, Tonbridge, Kent, TN12 9QD, England.
Type	<input type="text"/>	
Serial Number	<input type="text"/>	<input type="text"/>
Year of Manufacture	<input type="text"/>	

This information **MUST** accompany **EVERY** parts order to ensure that the correct parts are supplied.

How To Use This Illustrated Parts Catalogue

Introduction

This Illustrated Parts Catalogue has been organised to facilitate ease of use when identifying and procuring replacement parts for the Scarab Sweeper.

The information content has been arranged in a logical manner by creating a number of separate sections, each dealing with a specific aspect or sub-system of the machine, complete with its own table of contents. Where relevant, cross-references from one section to another have been included to enable the user to quickly navigate to the information that gives the required level of detail.

Using The Parts Lists

The breakdown structure within each parts list reflects the inter-relationship of the various components in an assembly.

The order of information (L to R) is: Item/Part No./Quantity/Description.

The first item on a parts list, is the description of the main assembly in question, is shown in bold, thus:

Description of Main Assembly

The succeeding parts generally fall into two categories, namely attaching parts i.e. bolts, screws, nuts, washers etc. or breakdown parts i.e. assemblies/sub assemblies and/or piece parts.

Item Numbers

Item numbers are used to cross-refer items from the parts lists to their associated illustrations and vice-versa, except for, attaching parts.

If the illustration of an item is superfluous, then the item number will be listed as not illustrated:- **NI**.

Part Numbers

Not every item will have a part number associated with it because it might be an assembly that is broken down into its components elsewhere or there might be different versions of that item described elsewhere.

Quantities

When a parts quantity has been marked with **AR** then this means *as required*, for example hose lengths may differ slightly due to the route taken, or you may have one or more of a given part then the quantity will be *as required* due to the quantity of said part that is fitted to a particular sweeper configuration.

PDF Version

The PDF version of this manual has been created to open like you would the real manual with two pages per view, so do not click the one page per view button otherwise it makes it harder to read. It will include bookmarks to each chapter and links to other sections from components that are also referenced elsewhere to make navigation throughout the manual easier.

Warranty Statement

1. Scarab Sweepers Limited (hereinafter referred to as the Company) warrants that (subject to the other provisions of the published Terms and Conditions of Sale - available upon request) upon delivery and for a period of 12 months from the date of actual delivery, or 2,000 running hours from the date of actual delivery whichever is sooner, the Goods correspond with their specification at the time of delivery, and will be free from defects in materials and workmanship.
 2. The Company does not warrant the condition or quality of any used Goods supplied to the Customer, or other truck manufacturers' chassis cab content or to the auxiliary engine fitted in the Scarab Sweeper or to any other component not manufactured by the Company and any such warranty claims must be submitted to the manufacturer of that component, or their locally appointed agent.
 3. The Company shall not be liable for a breach of any of the warranties in condition 1 unless the Customer gives written notice of the defect to the Company, and (if the defect is as a result of damage in transit) to the carrier, within 7 days of the time when the Customer discovers or ought to have discovered the defect.
 4. The Company shall not be liable for a breach of any of the warranties in condition 1 if the Customer makes any further use of such Goods after giving such notice, the defect arises because the Customer failed to follow the Company's oral or written instructions as to the storage, installation, commissioning, use or maintenance of the Goods or (if there are none) good trade practice, or the Customer alters or repairs such Goods without the written consent of the Company, or uses non genuine parts to effect a repair.
 5. The following consumable items listed are excluded from the Company warranty:
 - all fuel oils,
 - antifreeze,
 - all brush link pivots and bushes,
 - wander hoses, suction nozzles,
 - body inlet ducts, wearing plates,
 - high pressure water pump piston seals and valves,
 - door seals,
 - inlet seals,
 - batteries,
 - tyres,
 - all brushes,
 - lift cables,
 - rubber skirts,
 - suction nozzle wheels,
 - flap trunking,
 - deflectors,
 - screens flaps or blanking plates,
 - water pump diaphragm valves and water jets,
 - all filter strainers and elements,
 - windows,
 - glass mirrors,
 - light bulbs,
 - fuses,
 - brake lining pads,
 - auxiliary drive belts and any other part normally regarded as consumable.
 6. Any parts replaced under the terms of this warranty will be covered by the unexpired portion of this warranty.
 7. Subject to conditions 3 and 4, if any of the Goods do not conform with any of the warranties in condition 1 the Company shall at its option repair or replace such Goods (or the defective part) or refund the price of such Goods at the pro rata Contract rate provided that, if the Company so requests, the Customer shall, at the Customer's expense, remove the defective Goods or part of such Goods and return the Goods or the part of such Goods which is defective to the Company. Parts replaced under warranty will be delivered by the Company FOB port of exportation.
 8. If the Company complies with the terms contained in this statement it shall have no further liability for a breach of any of the warranties in condition 1 in respect of such Goods.
 9. No representative or agent of Scarab Sweepers Limited has the authority to add or to vary these Warranty Conditions except with the Company's official confirmation in writing from Scarab Sweepers Limited, head office in Marden Kent, England.
- For further information, please refer to the Company's Terms & Conditions of Sale. In the event of conflict between this Warranty Statement and the Company's Terms & Conditions of Sale the latter will prevail.

Table of Contents

<i>Section/Description</i>	<i>Page</i>
Controls and Instruments	9
Cab Items - Controls - CANbus v3.1	10
Auxiliary Engine	13
Auxiliary Engine General Arrangement	14
Cummins Replacement Parts and Sensors	16
Diesel Fuel Tank and Associated Components	18
Auxiliary Engine - Service Kits	20
First Service	20
250 Hour Service	20
2000 Hour Service	20
Subframe, Hopper & Related Equipment	21
Hopper and Subframes General Arrangement	22
Manual Hopper Safety Prop and Bypass Valve Controls	24
Hopper General Arrangement	26
Hopper Internal Components	28
Filter Screen Assembly	28
Auto Blanking	30
Deflector Flap Assembly	30
Suction Fan Assembly	32
Rear Door Arrangement	34
Rear Door Ram, Opening and Locking Arrangement	36
Rear Door with Inspection/Cleaning Hatch	38
Sweeping and Suction	41
Side Brush Lift Arrangement	42
Side Brush Swing Out	44
Side Brush Pressure Arrangement	44
Wide Sweep Assembly	46
Wide Sweep Bearing Assembly	48
Wide Sweep Slewing Arrangement	48
Hydraulic Tilting Suction Nozzle Assembly	50
Suction Spigot	52
Suction Nozzle Raise/Lower Arrangement	52
Associated Sweeping Equipment - Brushes and Skirts	54
Rear Wander Boom Arrangement	56
Washing and Dust Suppression	59
Water Tank Assembly	60
Water Tank Drain Valve Assembly	62
Water Filter Assembly - High Pressure	62
Water Tank Filler Arrangement	64
Low Pressure Water Pump Electric- Arrangement	66
Water Valve Assembly	68
Side Brush Low Pressure Water Spray Nozzle	70
Front Low Pressure Spray Bar	70
Combined High & Low Pressure Front Spray Bar Arrangement	72
Suction Nozzle Box - Dust Suppression	74
Suction Tube - Dust Suppression	74
Automatic Hose Reel and Lance Assembly	76
High Pressure Water Pump 42 LPM - Arrangement	78
High Pressure Water Pump 42 LPM - Components	80
High Pressure Water Pump 42 LPM - Seal Kits	81
Hydraulic System	83
Combined Radiator/Oil Cooler	84
Hydraulic Oil Tank Arrangement	86
Valve Block - Main Control	88

Suction Nozzle Tilt and Sweep Wash Valves	90
Fan Circuit Relief and Dump Valves	92
Hopper Control Valve Block.	94
Suction Fan Pump and Gear Pump Arrangement	96
Suction Fan Motor Assembly.	96
Hydraulic Motor, OMP50 - High Pressure Water Pump 42 LPM	98
Hydraulic Motor, OMP100 - Wide Sweep	98
Hydraulic Motor, OMP200 - Side Brush	98
Hopper Lift Ram Assembly	100
Rear Door Open/Close Ram Assembly	100
Side Brush Lift Ram Assembly	100
Suction Nozzle Tilt Ram Assembly	100
Auxiliary Hand Pump	102
Filter High-Pressure	102
Hydraulic Circuit - Hopper, Rear Door and HP Pump	104
Hydraulic Pipes Schematic - Brushes, Nozzle Tilt and Suction Fan.	106
Clamps for Steel Piping	108
Pneumatic System	109
Pneumatic Control Valves	110
Pneumatic Filter, Regulator, Lubricator Arrangement	112
Pressure Regulator Valve, Switch, Wide Sweep & Side Brush	112
Pneumatic Cylinder, Wide Sweep Raise/Lower - Assembly	114
Pneumatic Cylinder, Wide Sweep Slewing - Assembly	114
Pneumatic Cylinder, Suction Nozzle Raise/Lower - Assembly	114
Pneumatic Cylinder, Side Brush Swing In/Out - Assembly	116
Pneumatic Cylinder, Side Brush Pressure - Assembly	116
Pneumatic Cylinder, Auto Blanking - Assembly	116
Electrical System	119
Electrical Components - Cab	120
Node and Pneumatic Enclosure Assembly	122
Battery Junction Box	122
Electrical - Wiring Looms, Connectors	124
Electrical - Switches and Sensors	124
Electrical - Fuses	124
Electrical - Relays	124
Electrical - Lamps and LEDs	124
Electrical - Beacons	125
Electrical - Spare Bulbs	125
Electrical - Other Components	125
Labels and Decals	127
Safety and Information Labels	128
Scarab Badges and Vinyl Decals	130

CONTROLS AND INSTRUMENTS

SECTION A

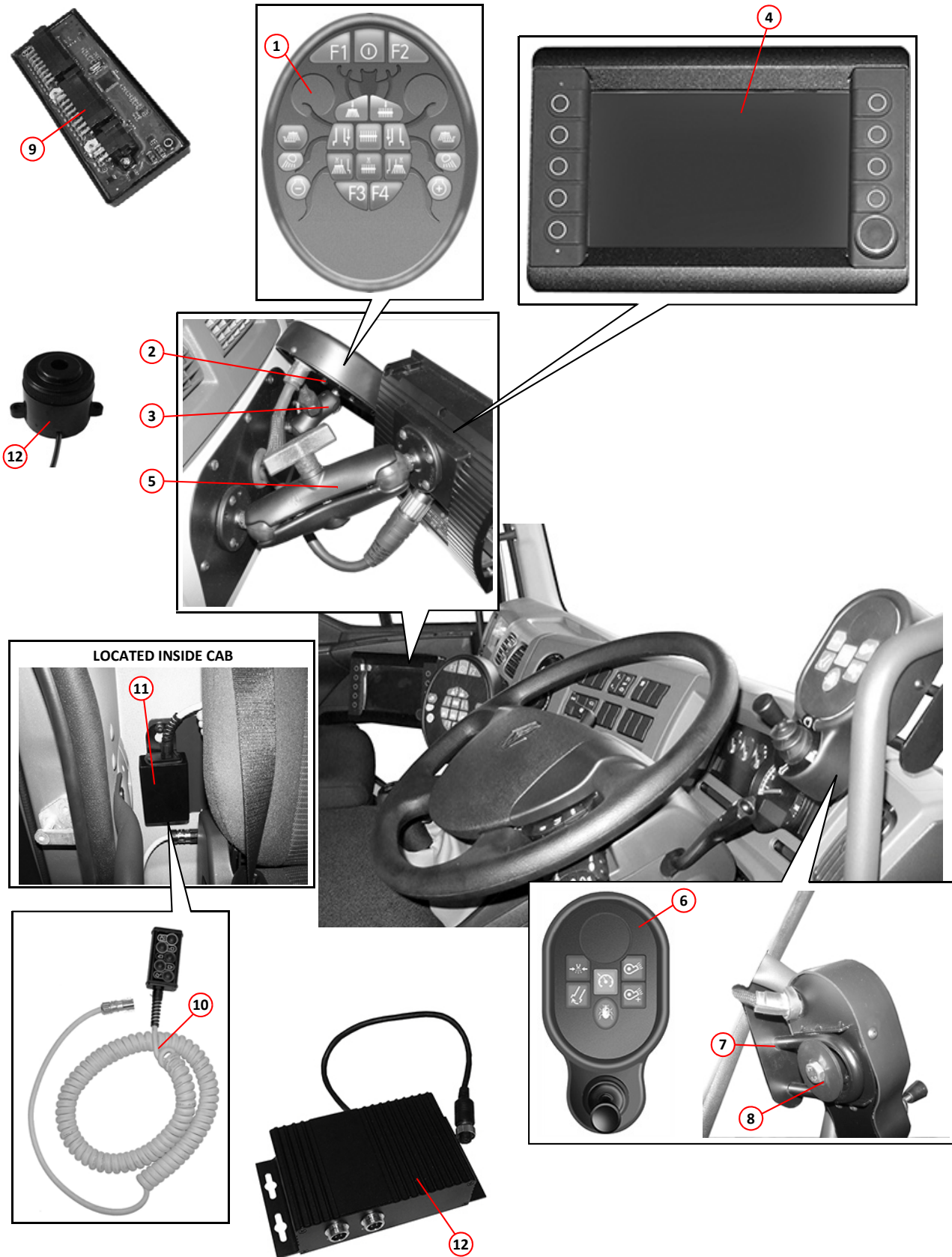
TABLE OF CONTENTS

<i>Assembly/Description</i>	<i>Page</i>
Cab Items - Controls - CANbus v3.1	10

<i>Item</i>	<i>Part Number</i>	<i>Quantity</i>	<i>Description</i>
Cab Items - Controls - CANbus v3.1			
1		1	Main control panel Page 120
2	037055	1	. Fixing plate, enclosure, main control panel
	000346	1	. . Screw, socket button head, M5 x 16mm
	000155	1	. . Nut, M5, Nyloc
3	030188*	1	. Ball joint, main control panel
NI	036912	1	. Loom, main control panel Page 124
NI	036914	1	. . Loom, main control panel, power Page 124
4	042882	1	Display screen, CANbus v3.1 (programmed) Page 120
NI	036916	1	. Loom, display screen Page 124
NI	040353	1	. Loom, power supply, rear camera Page 38, 124
NI	040355	1	. Loom, rear camera Page 38, 124
5	032108*	1	. Ball joint, display screen
6		1	Auxiliary controller, (door pod), Page 120
NI	036913	1	. Loom, auxiliary controller, (door pod) Page 124
NI	036915	1	. . Loom, auxiliary controller, power, (door pod) Page 124
7	*	1	. Bracket, mounting, auxiliary controller (door pod)
8	037064	1	. Clamp, fixing plate
NI	038013	1	Loom, cab Page 124
9	036799	3	Node, cabinet module (CR2012) Page 120
NI	*	AR	. Bracket, mounting, cabinet module
10	037074	1	Hopper remote controller, complete Page 120
NI	037047	1	. Loom, hopper remote controller Page 124
11	037300	1	. Storage pocket, hopper remote controller
12	037048	1	Sounder (for keypad) Page 125
13	041534	1	Camera splitter unit Page 125

Notes:-

* These are examples of screen and control mountings. They are subject to the chassis/cab they are being installed on. Please contact Scarab Parts Department for further information.



MAIN CONTROLS - CANbus 3.1

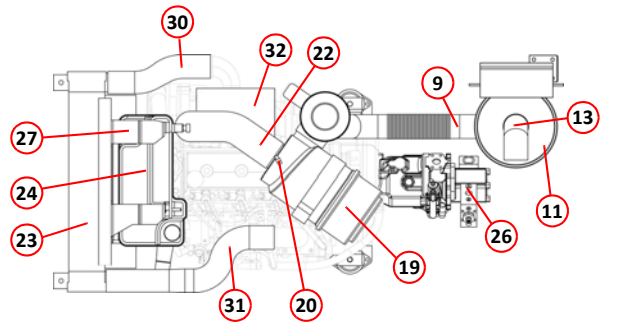
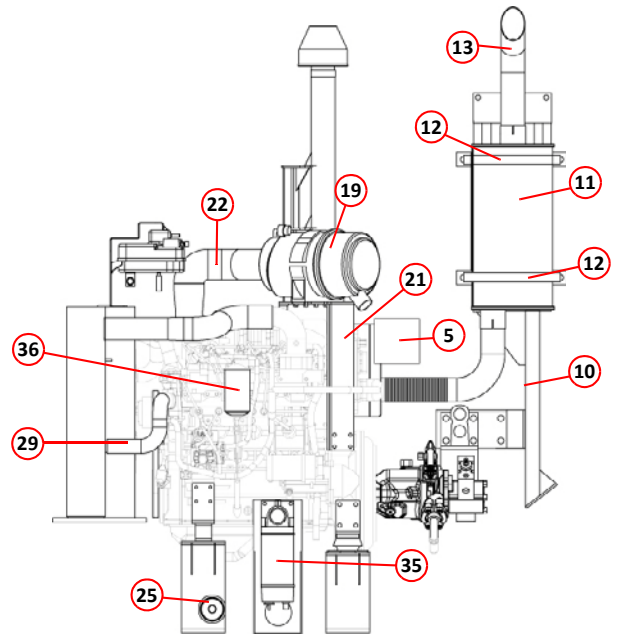
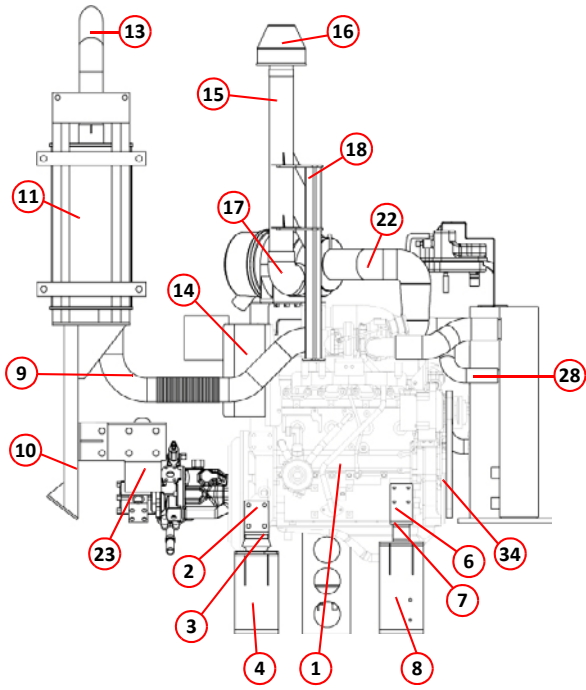
AUXILIARY ENGINE SECTION B TABLE OF CONTENTS

<i>Assembly/Description</i>	<i>Page</i>
Auxiliary Engine General Arrangement.....	14
Cummins Replacement Parts and Sensors	16
Diesel Fuel Tank and Associated Components.....	18
Auxiliary Engine - Service Kits	20
First Service	20
250 Hour Service	20
2000 Hour Service.....	20

Item	Part Number	Quantity	Description
Auxiliary Engine General Arrangement			
1	*	1	Cummins QSB3.3 Auxiliary Engine
2	033615	2	. Engine mounting bracket, rear
3	030724	2	. . Engine mount, rear
4	033527	1	. . Support cradle, rear
NI	040602	1	. . . Frame, junction box and fuel filter
5	037308	1 Enclosure, battery junction box Page 122
6	033614	2	. Engine mounting bracket, front
7	013409	2	. . Engine mount, front
8	033523	1	. . Support cradle, front
9	035356	1	. Down pipe, exhaust
	036831	1	. . U Clamp 83mm
10	034372	2	. . Mounting bracket, exhaust
11	035357	1	. . Silencer, exhaust
12	033240	2	. . . Strap, silencer
	011075	2 Nut, M10, Nyloc
	011094	2 Washer, M10
13	035358	1	. . Tail pipe, exhaust
	036831	1	. . . U Clamp 83mm
14	033698	1	. . Heat shield, exhaust
15	040603	1	. Air intake stack (WK8239 onwards)
16	036022	1	. . Cap, air stack
17	025550	1	. . Elbow, air stack, rubber
18	040604	1	. . Bracket, air stack
	036831	1	. . U Clamp 83mm
	011064	2	. . . Bolt, high tensile, M12 x 110mm
	011096	4 Washer, M12
	011077	2 Nut, M12, Nyloc
NI	012931	1	. . . Clamp, worm drive, 70-90mm
19	025279	1	. Air box
20	030875	1	. . Sender, air filter blocked
NI	034343	1	. . . Elbow, sender, air filter blocked
NI	025280	1	. . Element, air filter
NI	025281	1	. . Safety element, air filter
21	038019	1	. . Support, air box
NI	041064	1	. . Brace, air box support
NI	041065	2	. . Bobbin mount, male/male, M8
22	033594	1	. Pipe, air inlet
23	034954	1	. Expansion tank Page 84
24	040605	2	. . Bracket, expansion tank
NI	039932	4	. . . Fastener, anti-vibration, M8
	011012	4 Setscrew, high tensile, M8 x 30mm
NI	036678	1	. . Support plate, expansion tank
25	025103	1	. Filter, hydraulic, high-pressure Page 102
26		1	. Pump, hydraulic, arrangement Page 96
27	033711	1	. Radiator, combined oil and intercooler Page 84
28	033593	1	. . Hose, radiator
NI	003006	2	. . . Clamp, worm drive, 35 - 50mm
29	033592	1	. . Hose, radiator
NI	012927	2	. . . Clamp, worm drive, 40 - 55mm
30	033590	1	. Hose, intercooler 'A'
NI	005112	4	. . Clamp, worm drive, 60 - 80mm
31	033591	1	. Hose, intercooler 'B'
32	033699	1	. Cover, turbo unit
NI	033703	1	. . Bracket, turbo unit cover
33	034959	1	. Filter, oil
34	034961	1	. Belt, alternator
35	036195	1	. Filter, pre-fuel
36	034960	1	. Filter, fuel

Notes:-

* Please contact Scarab Parts Department regarding this engines.



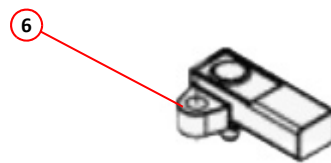
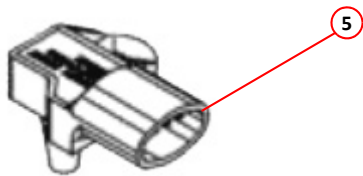
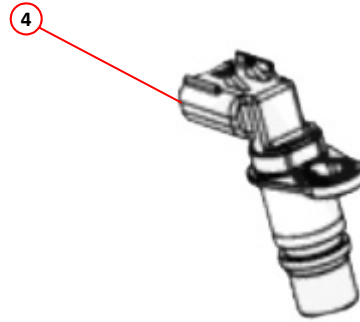
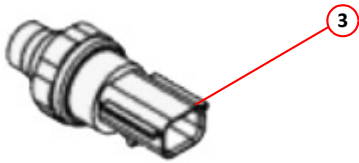
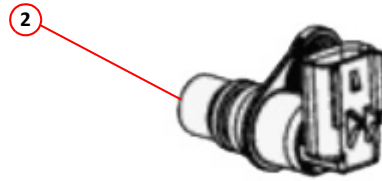
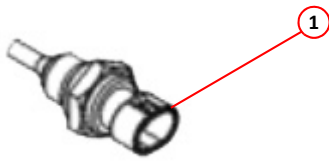
AUXILIARY ENGINE - GENERAL ARRANGEMENT

<i>Item</i>	<i>Part Number</i>	<i>Quantity</i>	<i>Description</i>
Cummins Replacement Parts and Sensors *			
NI	034959	1	Oil filter
NI	034960	1	Fuel filter
NI	034961	1	Alternator belt
NI	036195	1	Pre-fuel filter
NI	038220	1	Starter Motor
1	039082	1	Temperature sender
NI	039084	1	Thermostat kit
NI	039085	1	Dipstick
NI	039086	1	Water pump kit
NI	039087	1	Alternator
2	039088	1	Position sensor, cam or crank, 2872277
3	039089	1	Oil pressure switch
4	039090	1	Position sensor, cam or crank, 2872279
5	039091	1	Intake manifold pressure temperature sensor
NI	039092	1	Wiring harness
6	039093	1	Ambient air pressure sensor

Notes:-

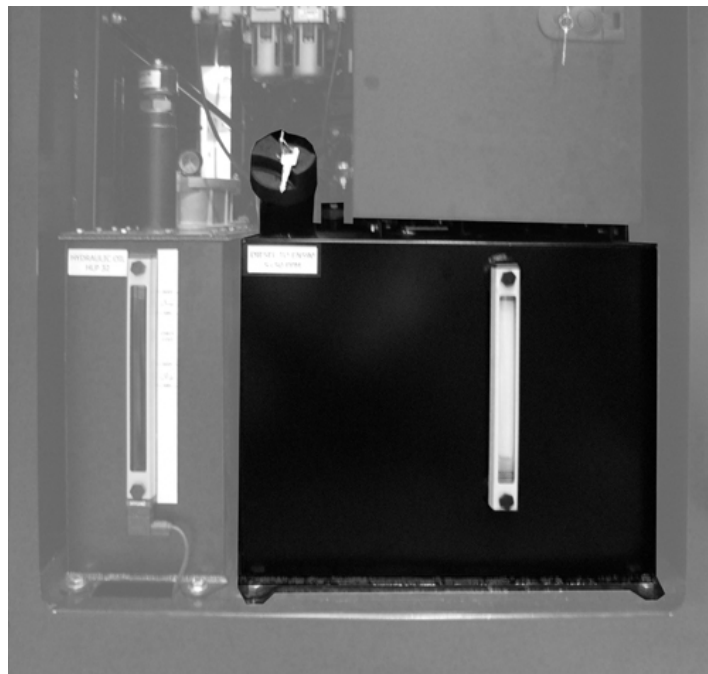
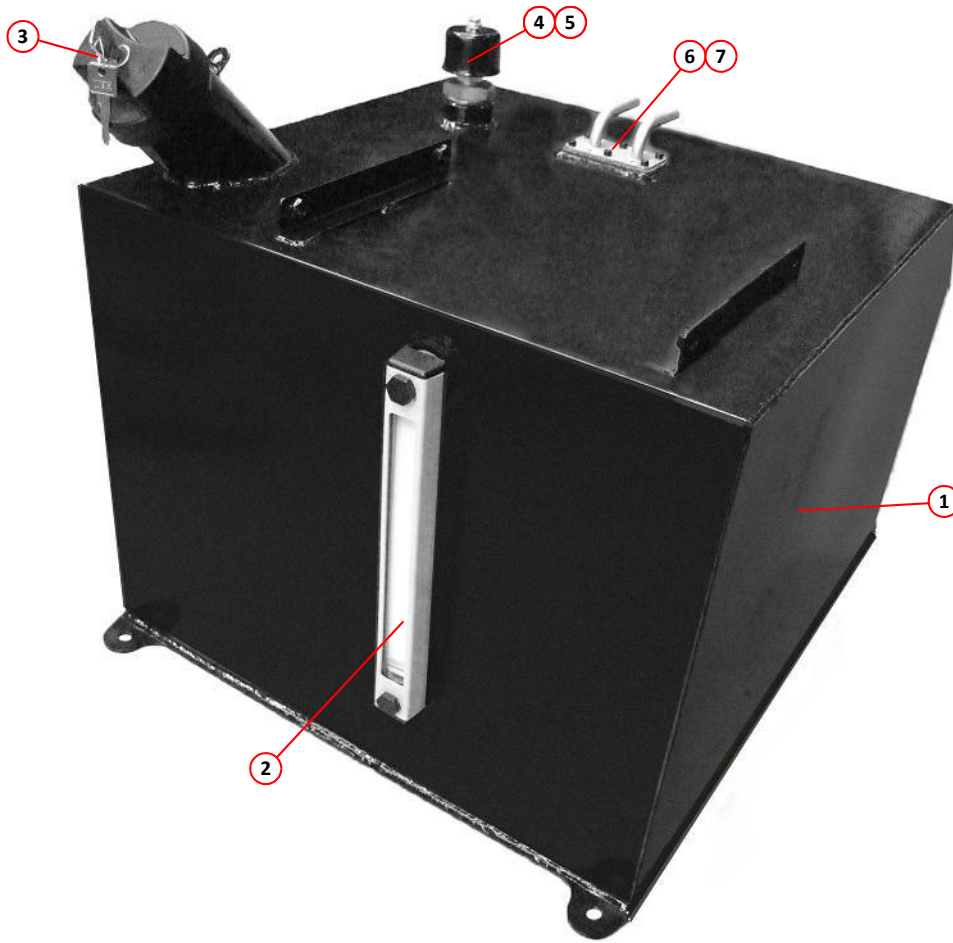
* Please contact Scarab Parts Department regarding the Cummins engines and it's associated parts due to differing engines for different parts of the world.

Information relating to parts for the Cummins QSB3.3 Auxiliary Diesel Engine can be obtained from the following web site:
<https://quickserve.cummins.com/info/index.html>



CUMMINS ENGINE SENSORS

<i>Item</i>	<i>Part Number</i>	<i>Quantity</i>	<i>Description</i>
Diesel Fuel Tank and Associated Components			
1	034324	1	Diesel fuel tank 120 Litre Page 22
2	032662	1	. Gauge, fuel level
NI	021979	2	. . Washer, rubber
3	033332	1	. Cap, fuel, and key
4	020688	1	. Breather
5	020689	1	. . Plug, breather "
NI	011156	1	. . . Seal, Dowty, 1 BSP
6	034604	1	. Fuel feed/return unit
7	031189	1	. . Gasket, fuel feed/return unit
NI	000142	6	. . Screw, cap head, M4 x 15mm
NI	011243	1	. Plug, $\frac{1}{2}$ BSP
NI	011154	1	. . Seal, Dowty, $\frac{1}{2}$ BSP
NI	031150	1	. Non-return valve, fuel



FUEL TANK AND ASSOCIATED COMPONENTS

<i>Part Number</i>	<i>Quantity</i>	<i>Description</i>
Auxiliary Engine - Service Kits		
034962 First Service (250 Hours)		
034959	1	Filter, Engine Oil
034960	1	Filter, Fuel
025280	1	Filter, Main Air
025281	1	Filter, Safety Main Air
013125	1	Filter, Hydraulic Return
025104	1	Filter, Hydraulic, High Pressure
036195	1	Filter, Pre-fuel
005001	2	Oil, Engine, 7.4 litres
005007	1	Grease
034963 250 Hour Service (Every)*		
034959	1	Filter, Engine Oil
034960	1	Filter, Fuel
025280	1	Filter, Main Air
036195	1	Filter, Pre-fuel
005001	2	Oil, Engine, 7.4 litres
005007	1	Grease
034964 2000 Hour Service (Every/Annually)**		
034959	1	Filter, Engine Oil
034960	1	Filter, Fuel
025280	1	Filter, Main Air
025281	1	Filter, Safety Main Air
013125	1	Filter, Hydraulic Return
025104	1	Filter, Hydraulic Pressure
020687	1	Filter, Suction
036195	1	Filter, Pre-fuel
005001	2	Oil, Engine, 7.4 litres
005007	1	Grease
034961	1	Belt, Alternator
005005	25	Oil, Hydraulic

Notes:-

* If it is first service or it is the 2000 hour service then this service is not required.

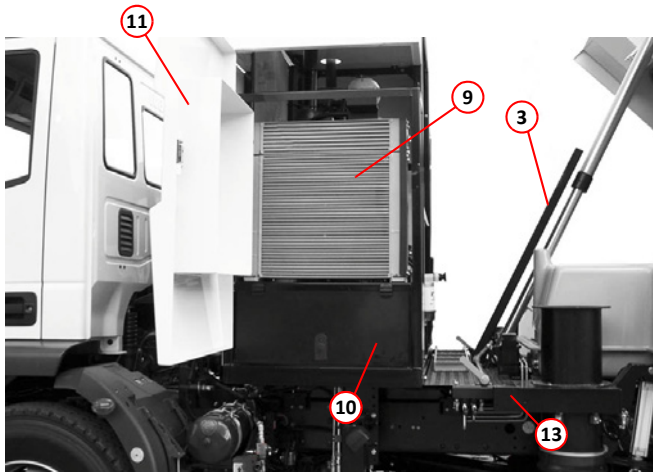
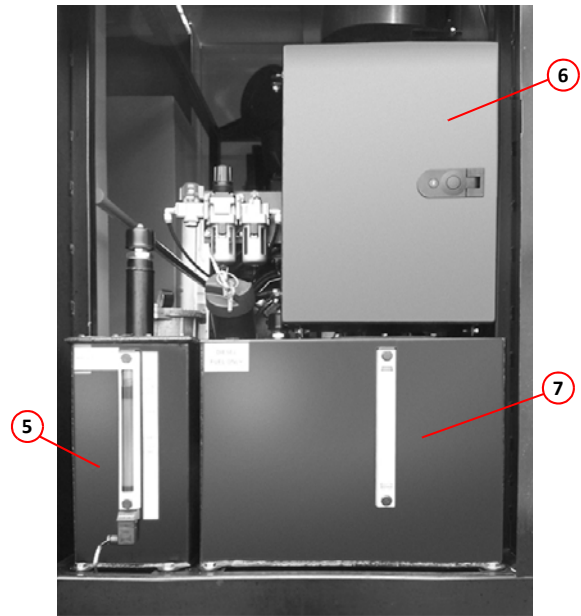
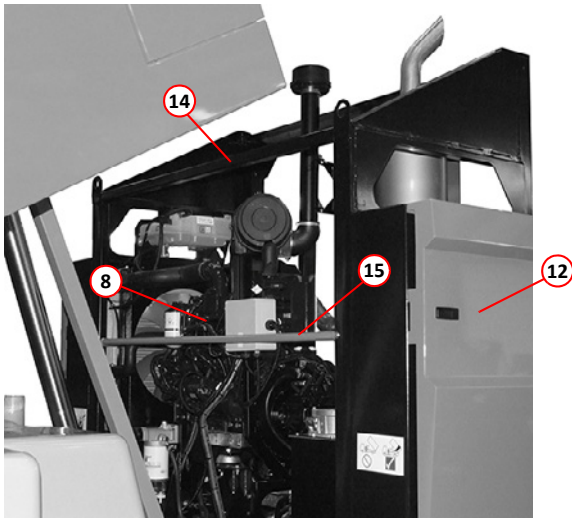
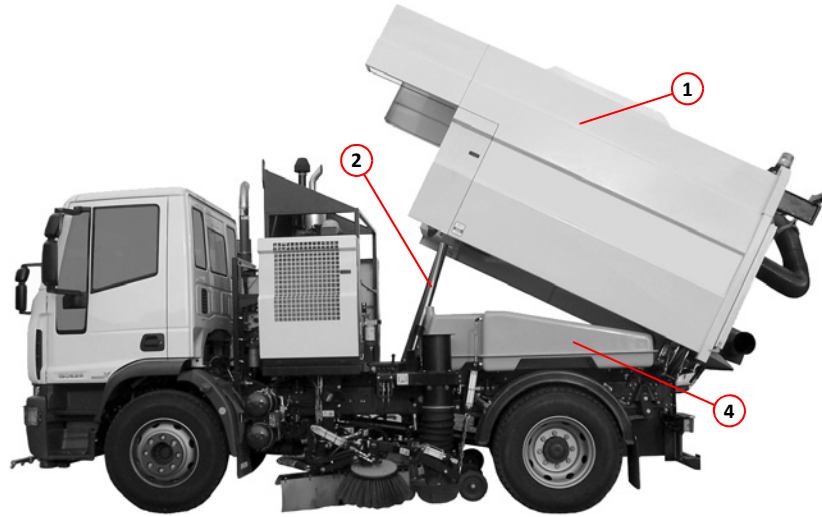
** This service is required every 2000 hours or annually which ever comes first.

SUBFRAME, HOPPER & RELATED EQUIPMENT SECTION C

TABLE OF CONTENTS

<i>Assembly/Description</i>	<i>Page</i>
Hopper and Subframes General Arrangement	22
Manual Hopper Safety Prop and Bypass Valve Controls	24
Hopper General Arrangement	26
Hopper Internal Components	28
Filter Screen Assembly	28
Auto Blanking	30
Deflector Flap Assembly	30
Suction Fan Assembly	32
Rear Door Arrangement	34
Rear Door Ram, Opening and Locking Arrangement	36
Rear Door with Inspection/Cleaning Hatch	38

<i>Item</i>	<i>Part Number</i>	<i>Quantity</i>	<i>Description</i>
Hopper and Subframes General Arrangement			
1	034263	1	Hopper Page 26
2	024249	1	Hopper lifting ram Page 100
3	034373	1	Hopper safety prop Page 24
4	034333	1	Water tank Page 60
5	034328	1	Oil tank, hydraulic Page 86
6	038209	1	Enclosure, (node/pneumatic) Page 122
7	034324	1	Tank, diesel fuel Page 18
8	033194	1	Auxiliary engine Page 14
9	033711	1	Radiator oil/water Page 84
10	034323	1	Enclosure, door (hydraulic valves) Page 88
	033634	1	. Latch, enclosure door
11	034283	1	Door, LH
NI	028583	1	. Hinge, stainless steel
NI	035662	1	. . Latch, door
12	034284	1	Door, RH
NI	028583	1	. Hinge, stainless steel
NI	035662	1	. . Latch, door
13	034264	1	Subframe
14	034282	1	Front subframe
NI	034799	1	. Panel, front
	012969	8	. . Washer, rubber, 40 x 12 x 6
	011092	8	. . . Washer, M8
	011011	6 Setscrew, high tensile, M8 x 25mm
	011073	2 Nut, M8, Nyloc
15	034800	1	. Safety bar
	011010	2	. . Setscrew, M8 x 20mm
	011092	2	. . . Washer, M8

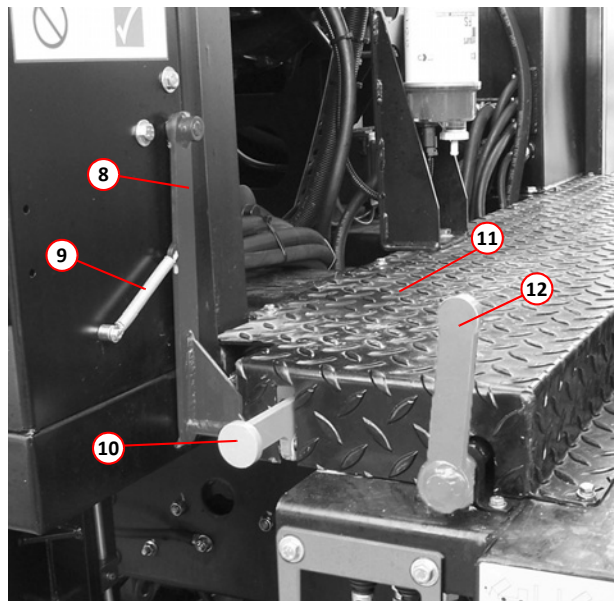
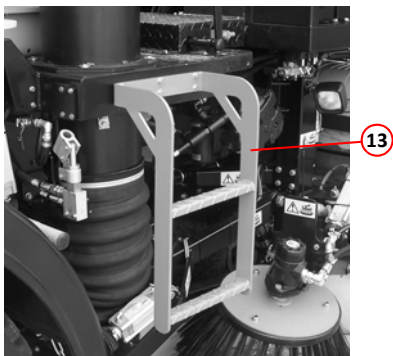
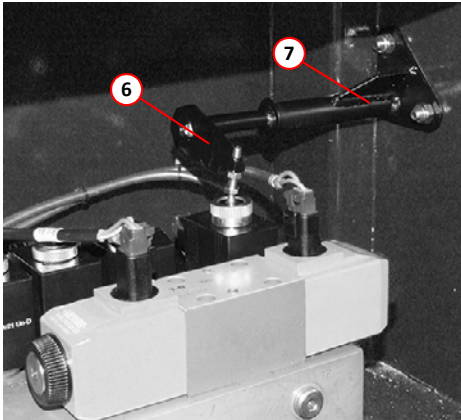
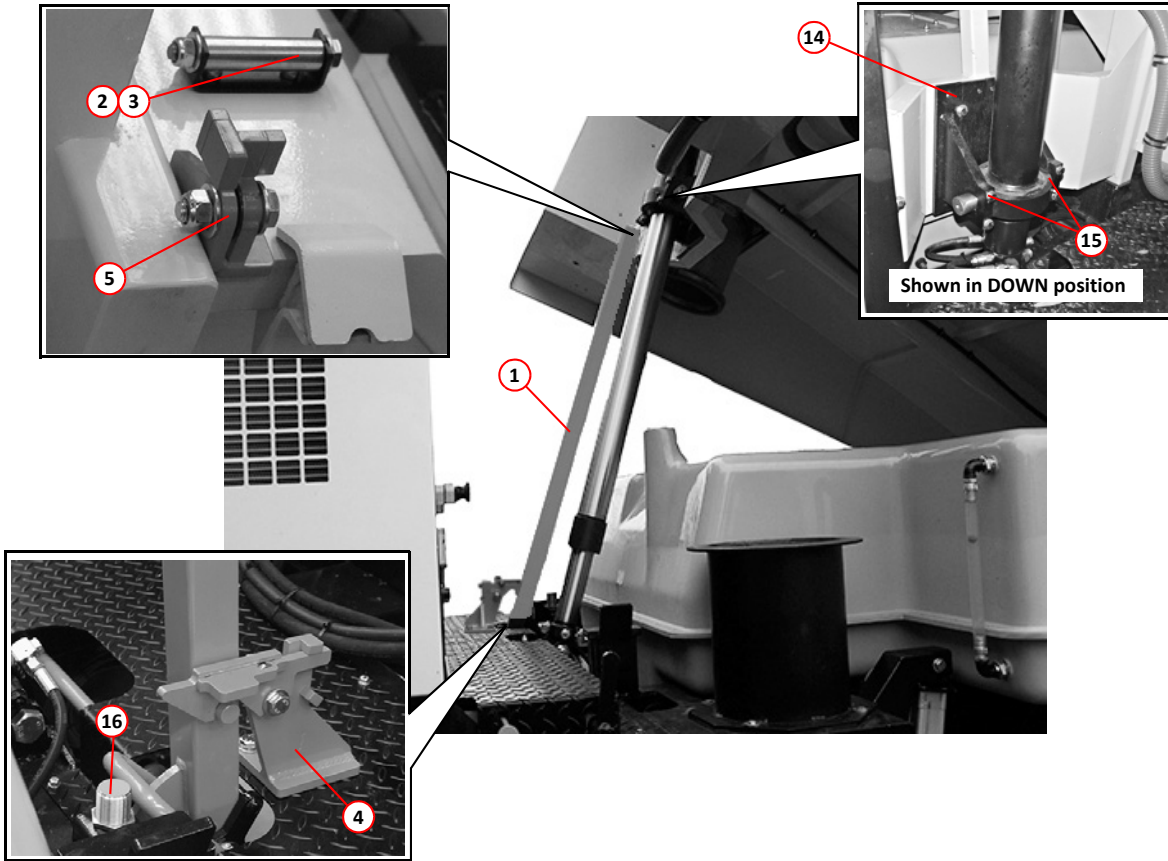


HOPPER AND SUBFRAMES GENERAL ARRANGEMENT

Item	Part Number	Quantity	Description
Manual Hopper Safety Prop and Bypass Valve Controls			
1	034373	1	Hopper safety prop Page 22
NI	036240	1	. Spacer
	011133	1	. Bolt, M16 x 100mm
	011060	1	. Nut, M16, Nyloc
2	034379	1	. Bracket, prop guide
3	011711	1	. Runner, prop guide
	011039	1	. . Bolt, M10 x 100mm
	011075	1	. . Nut, M10, Nyloc
	011067	2	. . Setscrew, M6 x 25mm
	011090	4	. . Washer, M6
	011094	2	. . Nut, M6, Nyloc
4	039557	1	Hopper safety prop catch assembly
	011032	4	. Setscrew, M10 x 30mm
	011094	8	. . Washer M10
	011075	4	. . Nut, M10, Nyloc
5	039560	1	Hopper safety prop catch release assembly
	011032	1	. Setscrew, M10 x 30mm
	011094	2	. . Washer
	011075	1	. . Nut, M10, Nyloc
6	034742*	1	Actuator, bypass valve
	000052	1	. Setscrew, M5 x 16mm
	000054	1	. . Nut, M5
7	035612*	1	. Mounting, bypass valve actuator
	011010	2	. . Setscrew, M8 x 20mm
	011092	4	. . Washer, M8
	011073	2	. . Nut, M8, Nyloc
8	034741*	1	. Link arm, bypass valve
9	020797*	1	. . Spring, link arm
	013344	1	. . . Spacer, spring
	000038	1 Screw, cap head, M6 x 25mm
	011090	1 Washer, M6
	011071	1 Nut, M6
10	034740*	1	Bypass valve push rod
NI	035613*	3	Bypass valve rod runner
	011067	6	. Setscrew, M6 x 20mm
	011090	6	. Washer, M6
11	034380	1	Floor plate
	011087	12	. Setscrew, M6 x 25mm
	011090	12	. Washer, M6
12	034377	1	Safety prop release lever
NI	034378	4	Release lever clamp
	011067	8	. Setscrew, M6 x 20mm
13	034766	1	Access ladder
	011011	6	. Setscrew, M8 x 25mm
	011092	12	. Washer, M8
	011073	6	. Nut, M8, Nyloc
14	010719	1	Ram pivot bracket
	011043	6	. Setscrew, M10 x 70mm
	011094	12	. Washer, M10
	011094	6	. Nut, M10, Nyloc
15	034395	2	Ram pivot retaining bar
	011034	4	. Setscrew, M10 x 40mm
	011095	4	. Spring washer, M10
16	032627	1	Hopper 'RAISED' sensor Page 124

Notes:-

* Part and associated parts not fitted to sweeper with hopper remote control switch box.

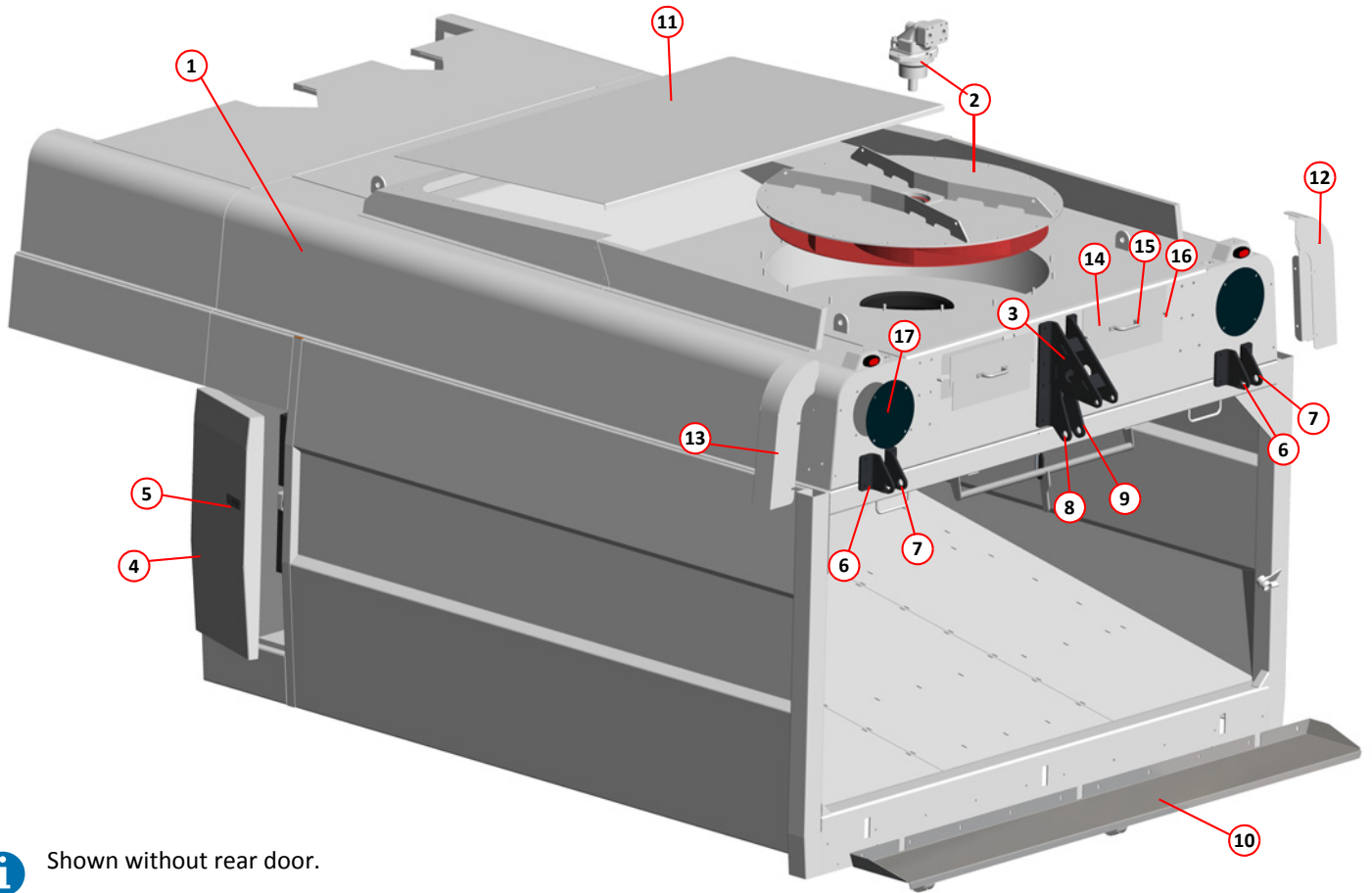


MANUAL HOPPER SAFETY PROP AND BYPASS VALVE CONTROL

Item	Part Number	Quantity	Description
Hopper General Arrangement			
1	034263	1	Hopper Body Page 22
2	025564	1	. Suction fan assembly Page 32
3	034309	1	. Hinge bracket, door ram
	011032	8	. . Setscrew, M10 x 30mm
	011075	8	. . Nut, M10, Nyloc
	011094	16	. . Washer, M10
4	034290	1	. Locker door LH
NI	034291	1	. Locker door RH
NI	034809	4	. . Hinge, locker door
5	035662	2	. . Latch, locker door
6	034310	2	. Door hinge, outer LH
	011032	4	. . Setscrew, M10 x 30mm
	011075	4	. . Nut, M10, Nyloc
	011094	4	. . Washer, M10
7	034311	2	. Door hinge, outer, RH
	011032	4	. . Setscrew, M10 x 30mm
	011075	4	. . Nut, M10, Nyloc
	011094	8	. . Washer, M10
8	035709	1	. Door hinge, centre, LH
	011032	2	. . Setscrew, M10 x 30mm
	011075	2	. . Nut, M10, Nyloc
	011094	4	. . Washer, M10
9	035710	1	. Door hinge, centre, RH
	011032	2	. . Setscrew, M10 x 30mm
	011075	2	. . Nut, M10, Nyloc
	011094	4	. . Washer, M10
10	034337	1	. Chute, discharge
	000257	10	. . Setscrew, M8 x 25mm, stainless steel
	000262	10	. . Nut, M8, Nyloc, stainless steel
	000264	20	. . Washer, M8, stainless steel
11	035797	1	. Cover, hopper
	011001	13	. . Setscrew, M6 x 16mm
	011090	13	. . Washer, M6
12	034729*	1	. Capping, RH
NI	040018*	1	. Capping RH (slotted)
13	034728*	1	. Capping, LH
NI	040017*	1	. Capping LH (slotted)
14	030728	2	. Inspection cover, outer
15	010502	2	. . Handle
16	000248	4	. . Grip nut with brass insert, M8
17	025486	2	. Cover plate, wander boom attachment Page 34, 38
	000264	8	. . Washer, M8, stainless steel
	000263	8	. . Nut, M8, Nyloc, stainless steel

Notes:-

* Please contact Scarab Part Department regarding these parts.

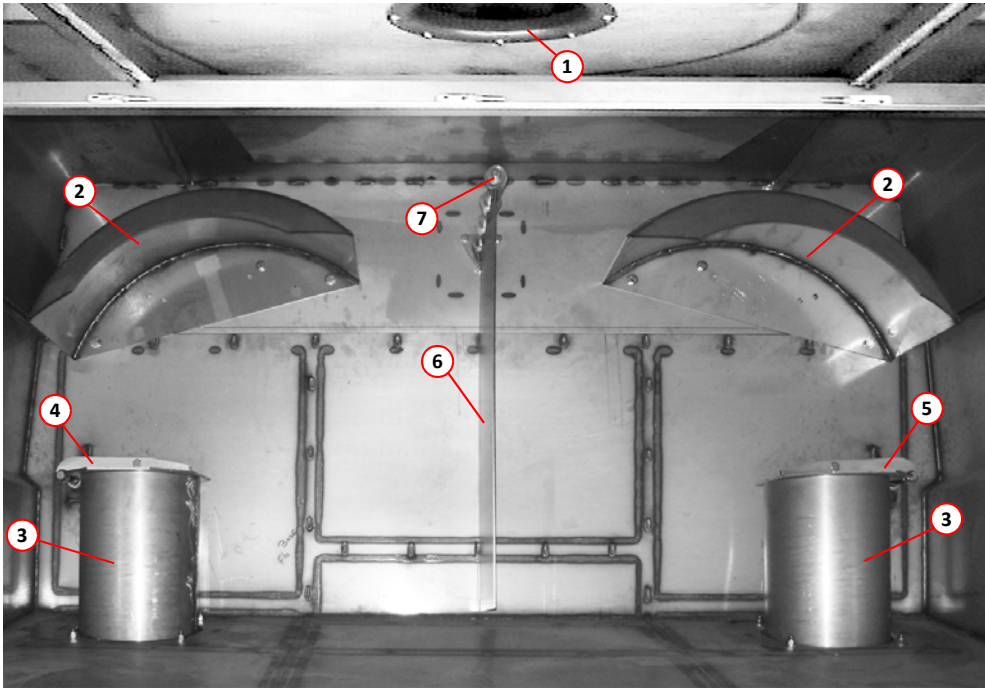


i Shown without rear door.

HOPPER GENERAL ARRANGEMENT

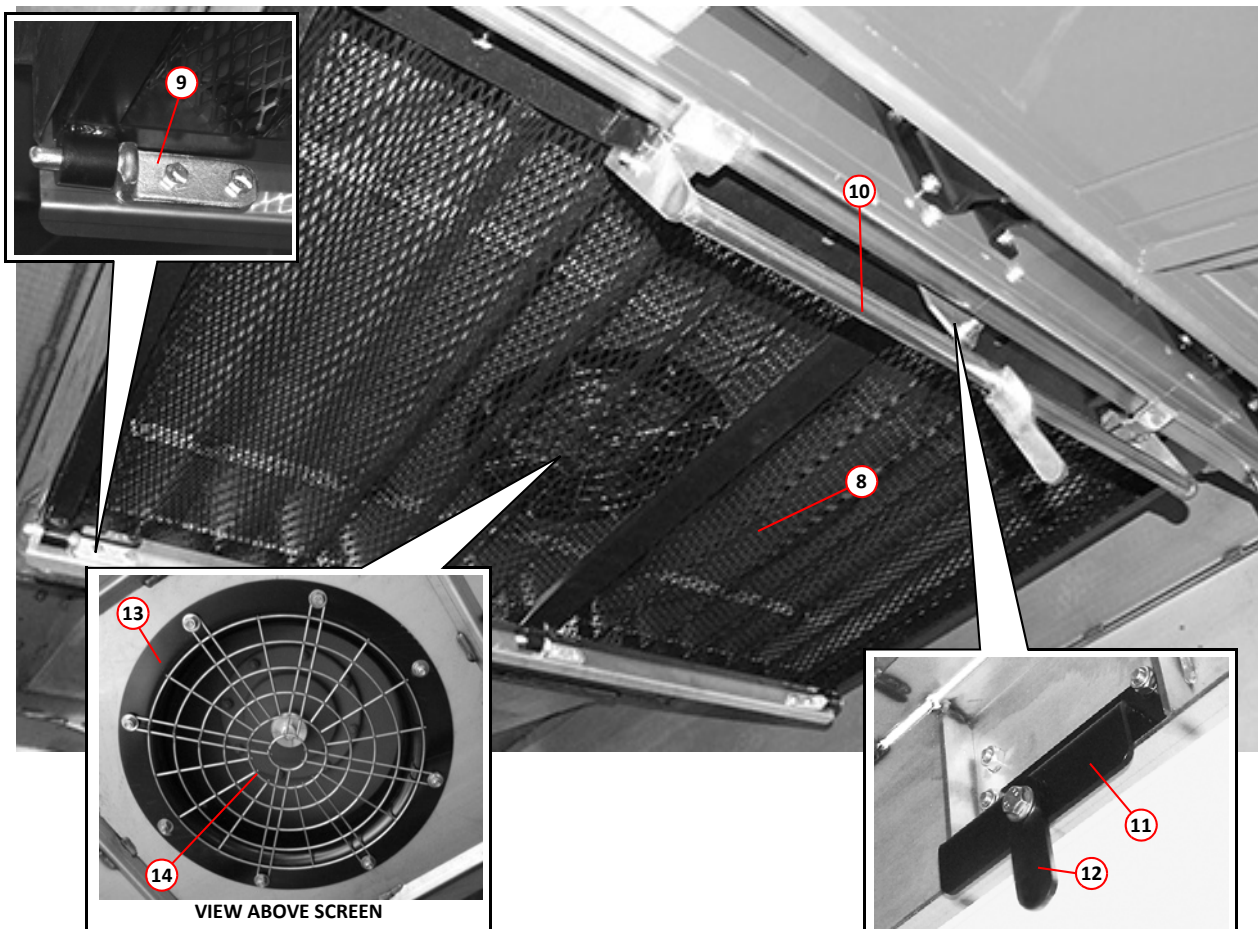
<i>Item</i>	<i>Part Number</i>	<i>Quantity</i>	<i>Description</i>
Hopper Internal Components			
1	032357	1	Cone, inlet, suction fan, stainless steel
1	024790	1	Cone, inlet, suction fan
2	022644	AR	Deflector, universal
2	034718	AR	Deflector, universal, PU coated (option)
	011055	AR	. Bolt, M12 x 65mm
	011051	AR	. Setscrew, M12 x 25mm
	011077	AR	. Nut, M12, Nyloc
3	034367	AR	Deflector tube
3	035280	AR	Deflector tube, PU coated (option)
4	021517	1	Flap arm LH Page 30
5	021518	1	Flap arm RH Page 30
6	031888	1	Deflector flap Page 30
7	030536	1	. Mounting bar, deflector flap
NI	030537	1	. . Washer 40mm OD x10.5mm ID x 5mm
	011095	1	. . . Spring washer, M10
	011031	1	. . . Setscrew, M10 x 25mm
	011032	3	. . Setscrew, M10 x 30mm
	011094	3	. . . Washer, M10
	011075	3 Nut, M10, Nyloc

<i>Item</i>	<i>Part Number</i>	<i>Quantity</i>	<i>Description</i>
Filter Screen Assembly			
8	031883	1	Screen, filter, stainless steel
8	024668	1	Screen, filter
9	025245	3	. Hinge, points
	000257	6	. . Setscrew, M8 x 25mm, stainless steel
	000263	6	. . Nut, M8, Nyloc
10	039312	1	. Screen handle catch
	000257	4	. . Setscrew, M8 x 25mm, stainless steel
	000263	4	. . Nut, M8, Nyloc, stainless steel
	011092	4	. . Washer, M8
11	028052	1	. Bracket, safety link
12	028053	1	. . Safety link
	000280	1	. . . Setscrew, M10 x 25mm, stainless steel
	011075	1	. . . Nut, M10, Nyloc, stainless steel
	000270	2	. . . Washer, M10, stainless steel
13	032357	1	Cone, inlet, suction fan, stainless steel
13	024790	1	Cone, inlet, suction fan
14	039674	1	. Fan guard
	000263	8	. Nut, M8, Nyloc, stainless steel
	000264	8	. Washer, M8, stainless steel
NI	034091	1	. Repair ring (requires welding)



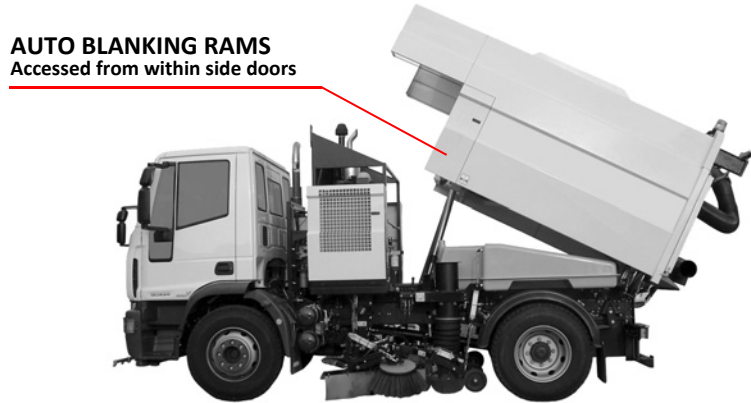
i Shown without filter screen and fan guard.

HOPPER INTERNAL COMPONENTS



HOPPER INTERNAL COMPONENTS

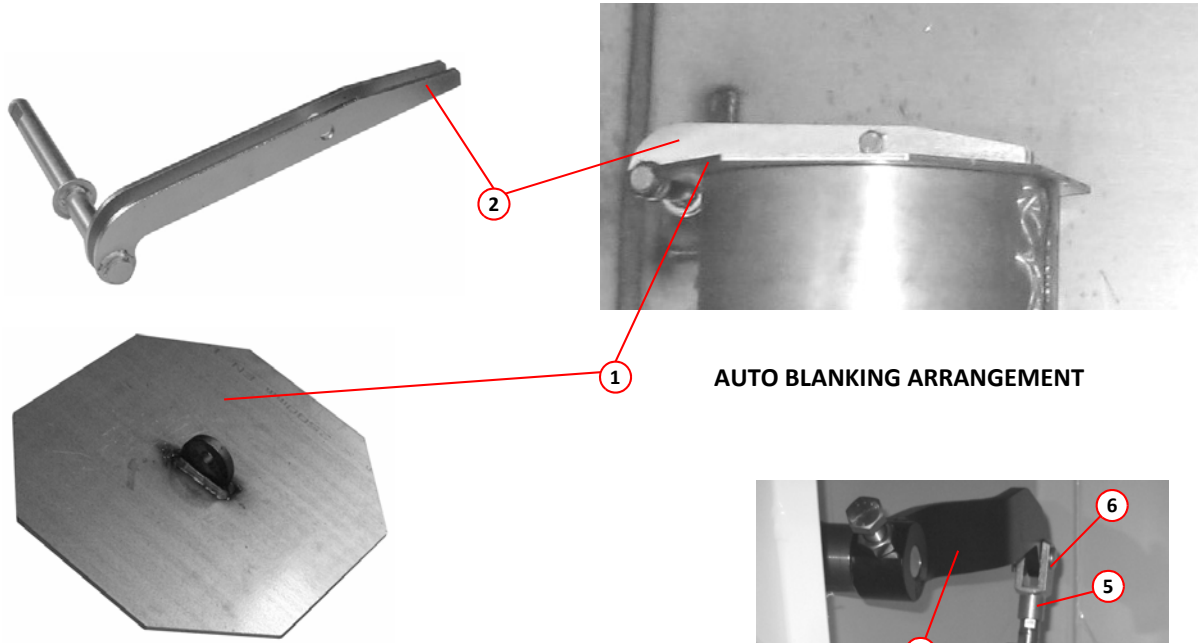
Item	Part Number	Quantity	Description
Auto Blanking - Arrangement (per side)*			
1	021514	1	Flap, blanking
1	034716	1	Flap, blanking, PU coated (option)
2	021517	1	. . Flap arm LH Page 28
NI	021518	1	. . Flap arm RH Page 28
3	034397	2	. . Flap lever, RH
NI	034396	2	. . Flap lever, LH
NI	013488	4	. . Bush
4	021467	2	. . Pneumatic cylinder 40mm x 200mm Page 116
NI	024646	3	. . . Elbow, 6mm x 1/4" BSP
NI	021158	2	. . . Regulator, air flow
NI	021560	2	Seal kit (pneumatic cylinder)
5	014469	2	. . Clevis M12 x 1.25
6	023270	2	. . . Pin, clevis
NI	023269	2	. . . Safety fastener
7	014457	2	. . Bracket, cylinder mounting
8	024650	AR	. Tubing, air, flexible nylon, 6mm Superflex
NI	034860	1	Guard



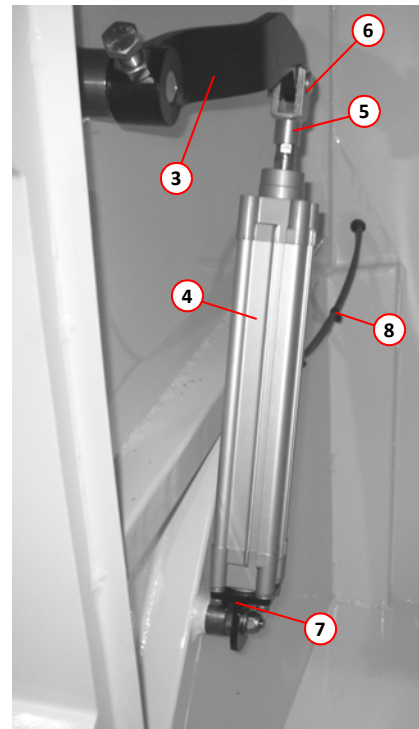
Item	Part Number	Quantity	Description
Deflector Flap Assembly			
9	031888	1	Deflector flap Page 28
9	034723	1	Deflector flap, PU coated (option)
10	030536	1	Mounting Bar
NI	011032	3	. . Setscrew, M10 x 30mm
NI	011075	3	. . Nut, M10, Nyloc
NI	011094	3	. . Washer M10
11	030537	1	. Locking ring
NI	011031	1	. . Setscrew, M10 x 25mm
NI	011095	1	. . Spring washer, M10

Notes:-

* Items listed in this parts list are identical for both LH and RH blanking assemblies, except where identified specifically for one side only.



AUTO BLANKING ARRANGEMENT

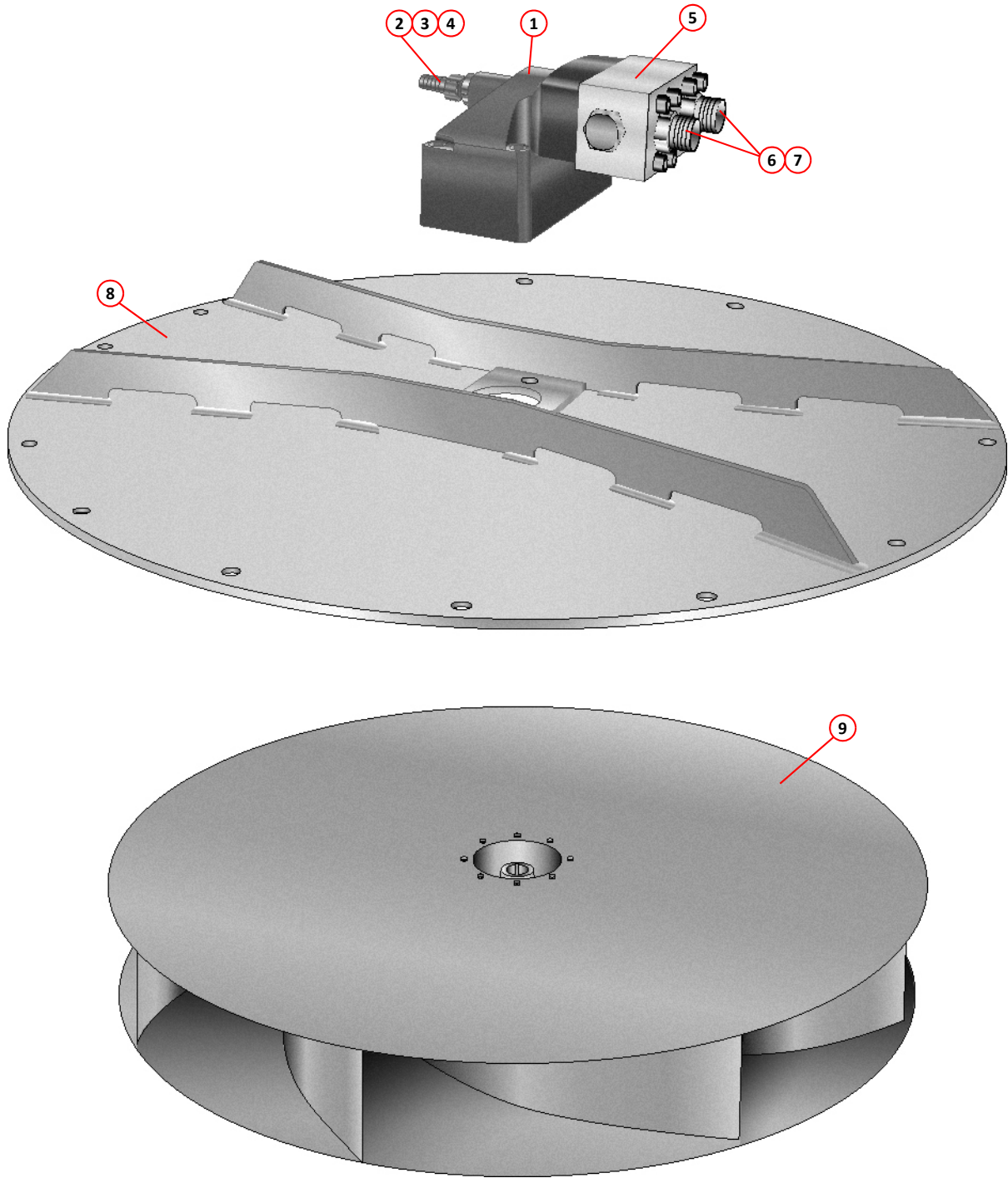


Guard removed for clarity



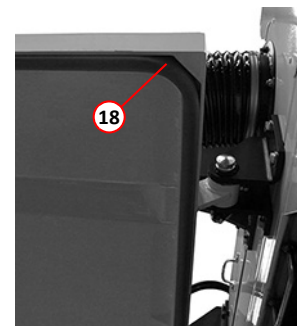
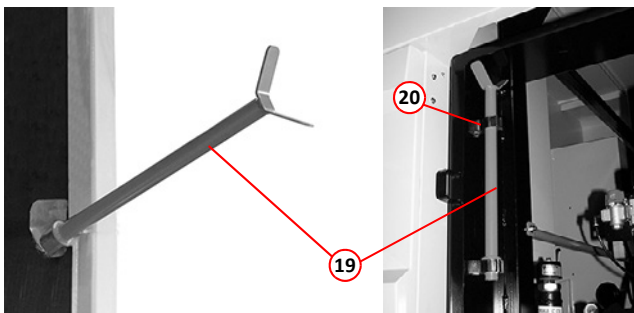
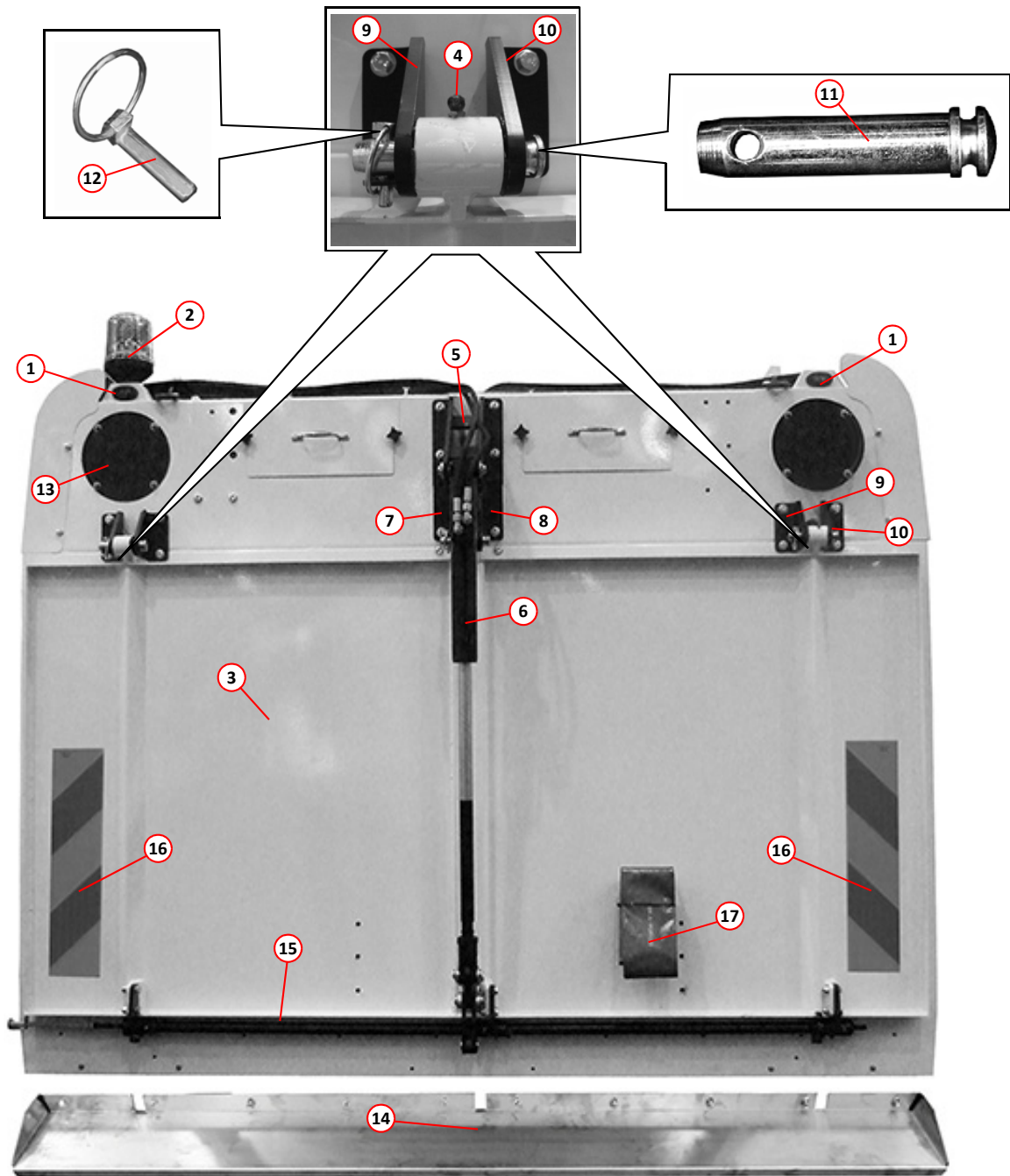
DEFLECTOR FLAP ASSEMBLY

Item	Part Number	Quantity	Description
Suction Fan Assembly			
1	024641	1	. Fan motor assembly Page 96
2	011248	1	. . Adaptor, M/M, M18 x $\frac{3}{8}$ " BSP
3	011247	1	. . Seal, Dowty, M18
4	010921	1	. . Hose tail, $\frac{3}{8}$ " BSP female x $\frac{3}{8}$ " hose
5	035967	1	. . Valve block
	000048	8	. . . Screw, socket cap head, M10 x 80mm
	011095	8	. . . , Washer, spring, M10
6	011151	2	. . . Adaptor, M/M, $\frac{3}{4}$ " BSP
7	011155	2	. . . Seal, Dowty, $\frac{3}{4}$ " BSP
8	024679	1	. Fan Plate
	000343	2	. . Bolt, socket cap head, M14 x 50mm
	011127	2	. . . Nut, M14, Nyloc
	011424	16	. . Washer, M10
	011075	16	. . Nut, M10, Nyloc
9	025241	1	. Impellor
	011052	1	. . Setscrew, M12 x 30mm
	024791	1	. . Cap Washer, Voac Motor
NI	013514	1	. Fan scraper (mounted in side locker)
NI	013631	2	. . Clip, firtree



SUCTION FAN ASSEMBLY

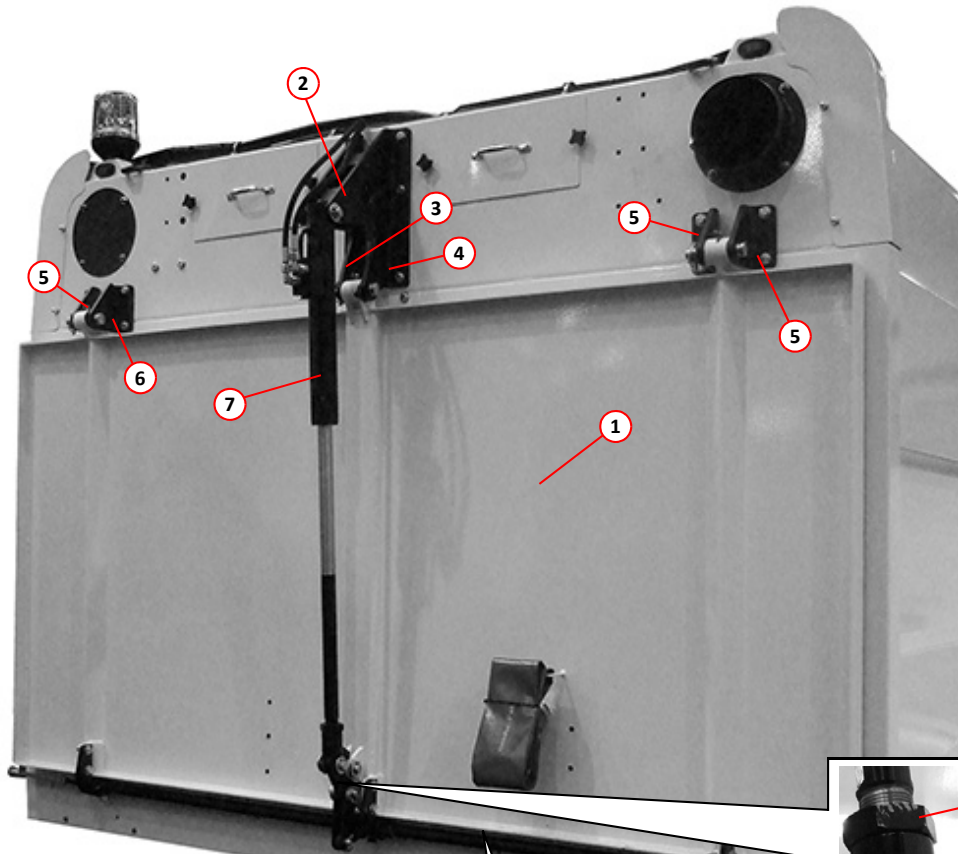
Item	Part Number	Quantity	Description
Rear Door Arrangement			
1	030773	2	Marker light, LED Page 124
2	014064	1	Beacon, 24 Volt Page 125
3	039262	1	Rear door, standard
NI		1	Rear door, with inspection/cleaning hatch Page 38
4	010902	3	. Greasing point, 90 degree, $\frac{1}{8}$ BSP
5	034309	1	. Bracket, hinge, rear door hydraulic ram
	011032	4	. . Setscrew, M10 x 30mm
	011074	8	. . Washer, M10
	011075	4	. . Nut, M10, Nyloc
6	034816	1	. Ram, hydraulic Page 100
7	035709	1	. Centre door hinge. LH
	011032	2	. . Setscrew, M10 x 30mm
	011074	4	. . Washer, M10
	011075	2	. . Nut, M10, Nyloc
8	035710	1	. Centre door hinge, RH
	011032	2	. . Setscrew, M10 x 30mm
	011074	4	. . Washer, M10
	011075	2	. . Nut, M10, Nyloc
9	034310	2	. Bracket, hinge LH
	011032	4	. . Setscrew, M10 x 30mm
	011074	8	. . Washer, M10
	011075	4	. . Nut, M10, Nyloc
10	034311	2	. Bracket, hinge RH
	011032	4	. . Setscrew, M10 x 30mm
	011074	8	. . Washer, M10
	011075	4	. . Nut, M10, Nyloc
11	013051	3	. Hinge pin
12	013053	3	. . Linch pin
13	025486	2	Cover plate, wander boom attachment Page 26, 38
	000264	8	. Washer, M8, stainless steel
	000263	8	. Nut, M8, Nyloc, stainless steel
14	034337	1	Chute, discharge
NI	035285	AR	. Spacer, discharge chute
15	034317	1	. Locking assembly, rear door Page 36
16	022389	2	. Marker plate
17	010998	AR	. Hose, layflat
NI	012931	1	. . Clamp, worm drive, 70-90mm
NI	030481	1	. Seal
NI			Rear wander boom arrangement Page 56
18	030806	1	Door seal
19	039683	1	Safety prop, hopper rear door
20	014806	2	. Clip, stowage, safety prop, hopper rear door



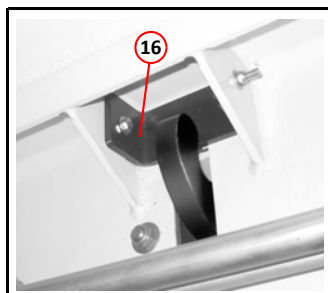
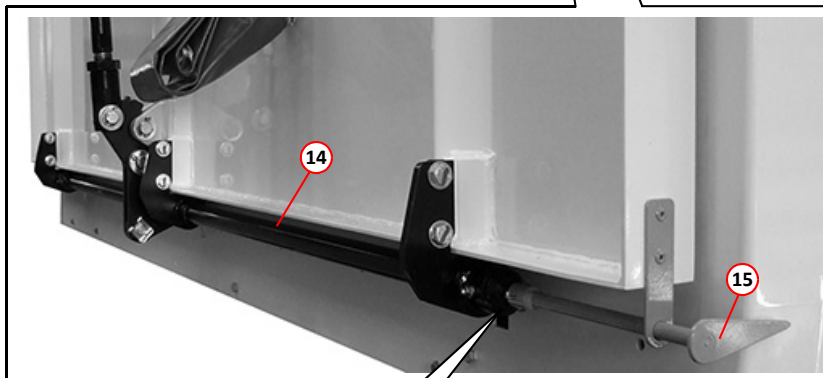
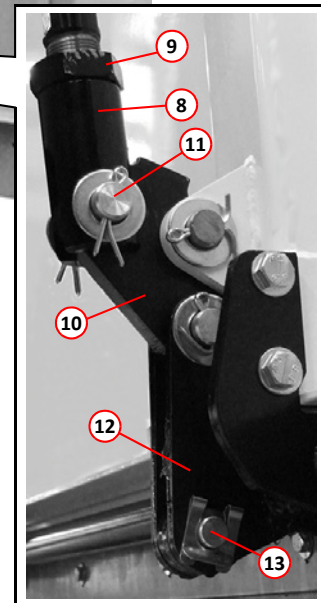
i Rear door shown without optional rear wander boom or optional rear inspection/cleaning hatch.

REAR DOOR & HOPPER ARRANGEMENT

<i>Item</i>	<i>Part Number</i>	<i>Quantity</i>	<i>Description</i>
Rear Door Ram, Opening and Locking Arrangement			
1	039262	1	Rear door, standard
2	034309	1	Bracket, rear door hydraulic ram hinge
	011032	4	. Setscrew, M10 x 30mm
	011074	8	. Washer, M10
	011075	4	. Nut, M10, Nyloc
3	035709	1	Bracket, door hinge, centre. LH
	011032	2	. Setscrew, M10 x 30mm
	011074	4	. Washer, M10
	011075	2	. Nut, M10, Nyloc
4	035710	1	Bracket, door hinge, centre, RH
	011032	2	. Setscrew, M10 x 30mm
	011074	4	. Washer, M10
	011075	2	. Nut, M10, Nyloc
5	034310	2	. Bracket, door hinge, LH
	011032	4	. Setscrew, M10 x 30mm
	011074	8	. Washer, M10
	011075	4	. Nut, M10, Nyloc
6	034311	2	Bracket, door hinge, RH
	011032	4	. Setscrew, M10 x 30mm
	011074	8	. Washer, M10
	011075	4	. Nut, M10, Nyloc
NI	013051	3	. Hinge pin
NI	013053	3	. Linch pin
7	034816	1	Ram, hydraulic, rear door Page 100
8	042284	1	. Clevis, door ram
9	042285	1	. Clevis nut, door ram
10	034314	1	. . Locking cam
11	014038	3	. . . Pin $\varnothing 20 \times 70$ mm
	011102	AR Washer M20
	011122	6 Split pin $\frac{3}{16}$ " x $1\frac{1}{2}$ "
12	034315	2	. . Push link
13	022673	1	. . . Clevis pin (turned)
	022674	1 Clip retaining
14	034317	1	Locking bar assembly Page 34
15	035654	1	. Locking flag
16	034322	3	. Wear plate



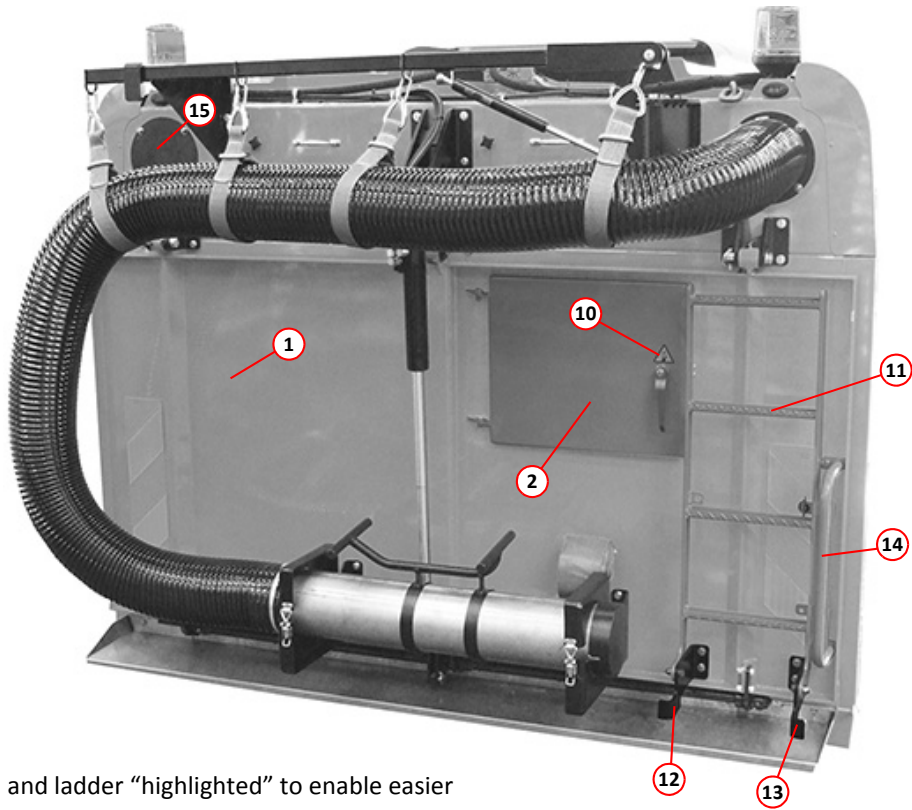
i Rear door shown without optional rear wander boom or optional rear inspection/cleaning hatch.



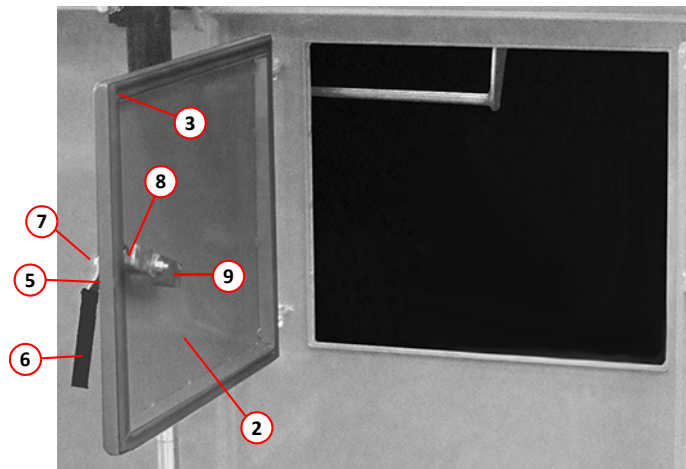
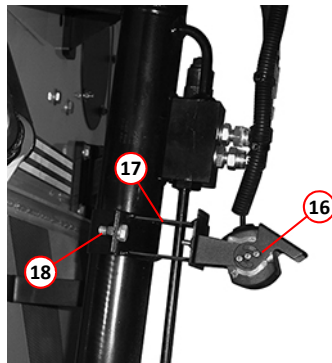
i Locking flag can be on either end of the locking bar assembly.

REAR DOOR RAM, OPENING AND LOCKING ARRANGEMENT

Item	Part Number	Quantity	Description
Rear Door with Inspection/Cleaning Hatch			
1	039263	1	Rear door, with RH inspection/cleaning hatch Page 34
NI	039311	1	Rear door, with LH inspection/cleaning hatch Page 34
2	036363	1	. Door, inspection/cleaning hatch
3	013599	1	. . Seal, inspection/cleaning hatch
NI	027932	1	. Striker, inspection/cleaning hatch (on inside of rear door)
5	027933	1	. Handle, inspection/cleaning hatch
6	040032	1	. . Sleeve, door handle
7	027934	1	. Spindle, catch, inspection/cleaning hatch
8	027935	1	. Bearing, catch, inspection/cleaning hatch
9	040033	1	. Catch, with stop, RH inspection/cleaning hatch
NI	040034	1	. Catch, with stop, LH inspection/cleaning hatch
	027937	1	. Back nut, $\frac{3}{4}$ " BSP
10	039550	1	. Label, Warning, Debris warning Page 128
11	039284	1	Ladder, rear door
	000278	2	. Setscrew, M12 x 40mm, stainless steel
	000277	6	. Washer, M12, stainless steel
	000275	2	. . Nut, M12, Nyloc, stainless steel
12	039285	1	. Hinge, ladder, LH
NI	040133	1	. Plate, load spreader
	011034	2	. Setscrew, M10 x 40mm
	011094	4	. . Washer, M10 I
	011075	2	. . Nut, M10, Nyloc
13	039286	1	. Hinge, ladder, RH
NI	040133	1	. Plate, load spreader
	011034	2	. Setscrew, M10 x 40mm,
	011094	4	. . Washer, M10
	011075	2	. . Nut, M10, Nyloc
14	039287	1	Handle, grab, rear ladder
	011034	2	. Setscrew, M10 x 40mm
	011094	4	. . Washer, M10
	011075	2	. . Nut, M10, Nyloc
NI	013702	1	. Antiluce
15	025486	1	. Cover plate, wander boom attachment Page 26, 34
	000264	4	. . Washer, M8, stainless steel
	000263	4	. . Nut, M8, Nyloc, stainless steel
16	040354	1	Rear camera Page 125
	000444	2	. Screw, socket cap head, M5 x 12mm
NI	038193	2	. . Insulated spacer
17	040676	1	. Mount, rear camera
18	040677	1	. Mount clamp, rear camera
	011010	2	. . Setscrew, M8 x 20mm
NI	040353	1	. Loom, power supply, rear camera Page 10, 124
NI	040355	1	. Loom, rear camera Page 10, 124
			Rear wander boom arrangement Page 56
NI	039866	1	Label, Warning, Ladder stowage, on rear door Page 128



i Shown with hatch and ladder “highlighted” to enable easier visualisation.



REAR DOOR WITH INSPECTION/CLEANING HATCH

SWEEPING AND SUCTION SECTION D

TABLE OF CONTENTS

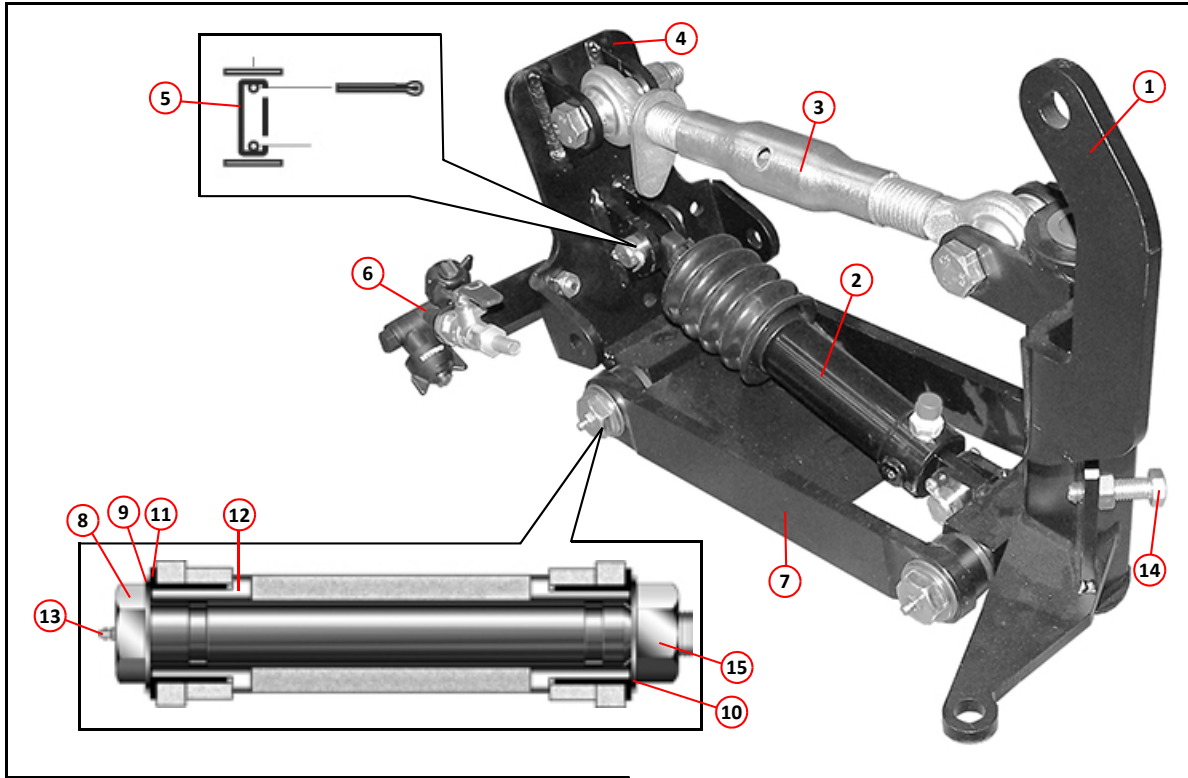
<i>Assembly/Description</i>	<i>Page</i>
Side Brush Lift Arrangement	42
Side Brush Swing Out	44
Side Brush Pressure Arrangement	44
Wide Sweep Assembly	46
Wide Sweep Bearing Assembly	48
Wide Sweep Slewing Arrangement	48
Hydraulic Tilting Suction Nozzle Assembly	50
Suction Spigot	52
Suction Nozzle Raise/Lower Arrangement	52
Associated Sweeping Equipment - Brushes and Skirts	54
Rear Wander Boom Arrangement	56

Item	Part Number	Quantity	Description
Side Brush Lift Arrangement			
1	023124	1	. Kingpost, RH
NI	023120	1	. Kingpost, LH
2	024539	1	. . Ram, hydraulic (raise/lower) Page 100
3	013011	1	. . Link, top (turnbuckle)
	011140	2	. . . Bolt, M18 x 90mm
	011138	2	. . . Washer, M18
	011139	2	. . . Nut, M18, Nyloc
4	023121	1	. . Plate, Swivel
5	010067	2	. . . Pin, Ram Pivot, Ø20mm x 50mm
	011103	2 Washer, M20
	011122	2	. . . Pin, split, cotter, $\frac{3}{16}$ " x $1\frac{1}{2}$ "
6		1	. . Brush spray nozzle assembly Page 70
7	014801	1	. . Link, lower
8	014796*	2	. . . Bolt, pivot, M16 (special with greasing point)
9	014798*	2	. . . Washer, 24 x 40 x 3mm
10	014797*	2	. . . Washer, 17 x 40 x 3mm
	011060*	2	. . . Nut, M16, Nyloc
11	013012*	4	. . . Bush, plastic
12	014799*	4	. . . Sleeve, spacer
13	010903	2	. . . Greasing point, straight, $\frac{1}{8}$ " BSP
14	011055	1	. . . Bolt, M12 x 60mm
15	011076	1	. . . Nut, M12
16	010749	1	. . . Motor, hydraulic Page 98
17	023121	1	. . . Plate, motor swivel
	011075	2 Nut, M10, Nyloc
18	014067	1 Hub, side brush, 3 holes
NI	040058**	1 Spacer, brush hub
	040197	1 Washer, safety, Schnorr
	011012	1 Screw, M8 x 30mm
19	023473	1 Side brush, ø400mm, 3 stud (steel) Page 54
NI	020921	1 Side brush. ø400mm, 3 stud (weed ripping) Page 54
NI	025744	1 Side brush, ø400mm, 3 stud (poly) Page 54

Notes:-

* These items comprise the lower link bush kit 024611

** This part is required if the drive motor is manufactured by Eaton, please contact Scarab Parts Department.

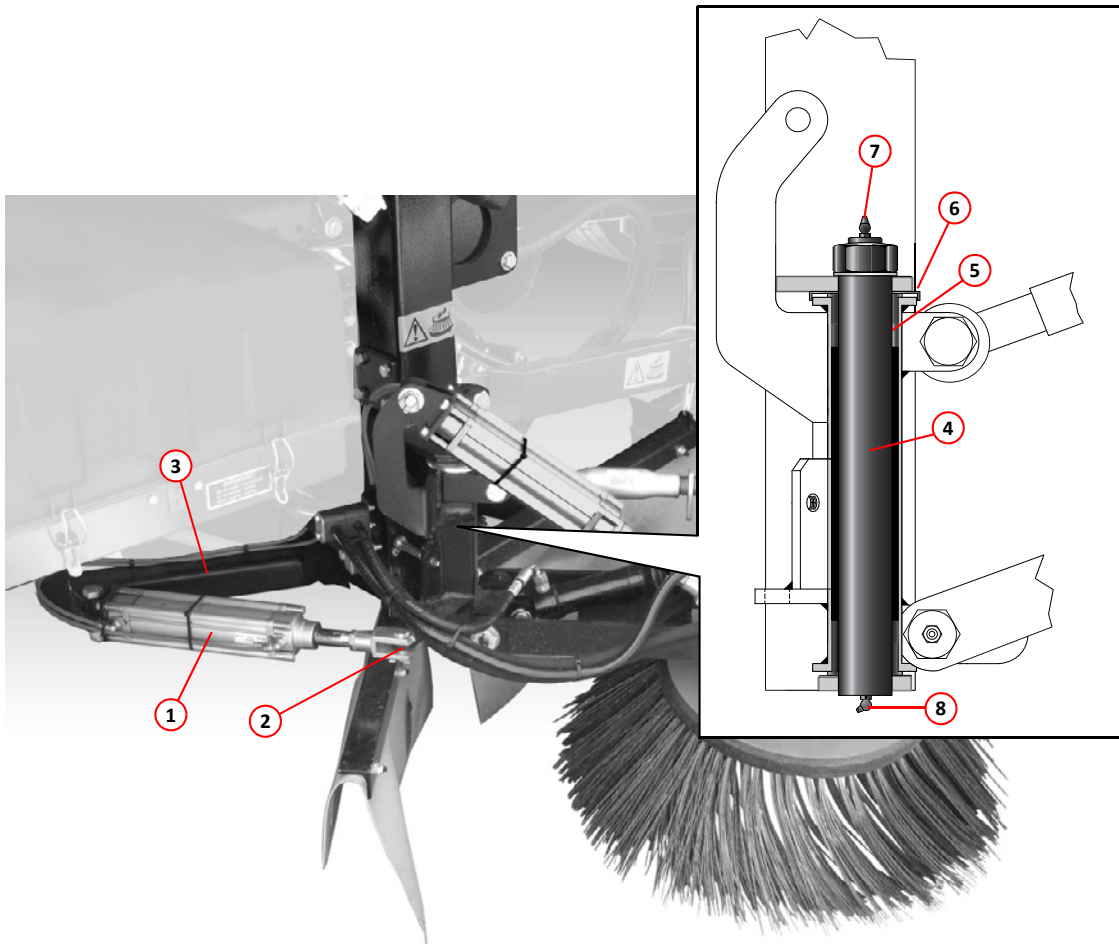


i Shown with optional side brush pressure assembly.

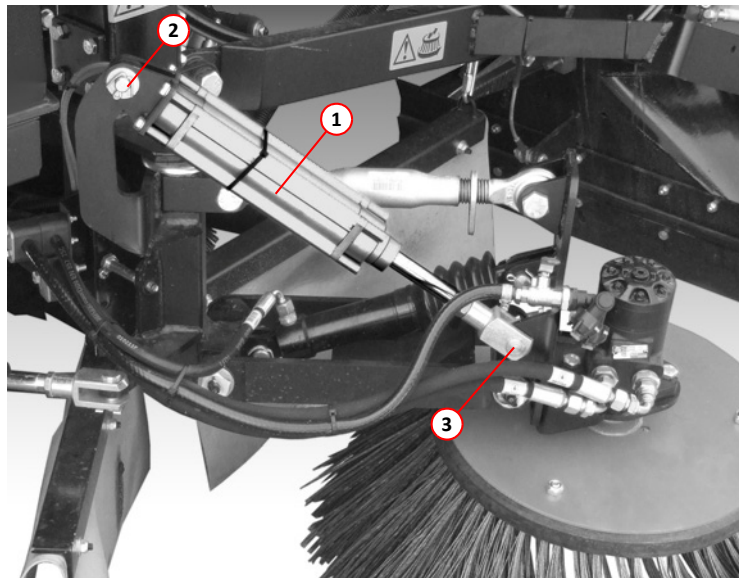
SIDE BRUSH LIFT ARRANGEMENT

<i>Item</i>	<i>Part Number</i>	<i>Quantity</i>	<i>Description</i>
Side Brush Swing Out			
1	020298	1	Cylinder, pneumatic, swing in/out, 50mm x 160mm Page 116
	011260	1	. Bolt, M14 x 70mm
	011127	1	. Nut, M14, Nyloc
2	022673	1	. Pin, clevis
	022674	1	. Pin, clevis, retainer
3	021520	1	Bracket, swing out cylinder, RH
NI	021519	1	Bracket, swing out cylinder, LH
	011407	2	. Bolt, M10 x 120mm
	011077	2	. Nut, M10, Nyloc
4	013007	1	. Kingpin
	011102	1	. . Washer, M20
	011082	1	. . Nut, M20 Nyloc
5	013012	2	. . Bush, plastic
6	013013	1	. . Cap
7	010903	3	. . Greasing point, straight, $\frac{1}{8}$ " BSP
8	010901	1	. . Greasing point, 45°, $\frac{1}{8}$ " BSP

<i>Item</i>	<i>Part Number</i>	<i>Quantity</i>	<i>Description</i>
Side Brush Pressure Arrangement - (option)			
1	020298	1	Cylinder, pneumatic, brush pressure, 50mm x 160mm Page 116
2	023123	1	. Pin, cylinder retaining
	011135	2	. Washer, M16
	011122	2	. Pin, split, $\frac{3}{16}$ " x $1\frac{1}{2}$ "
3	022673	1	. Pin, clevis



SIDE BRUSH SWING OUT ARRANGEMENT

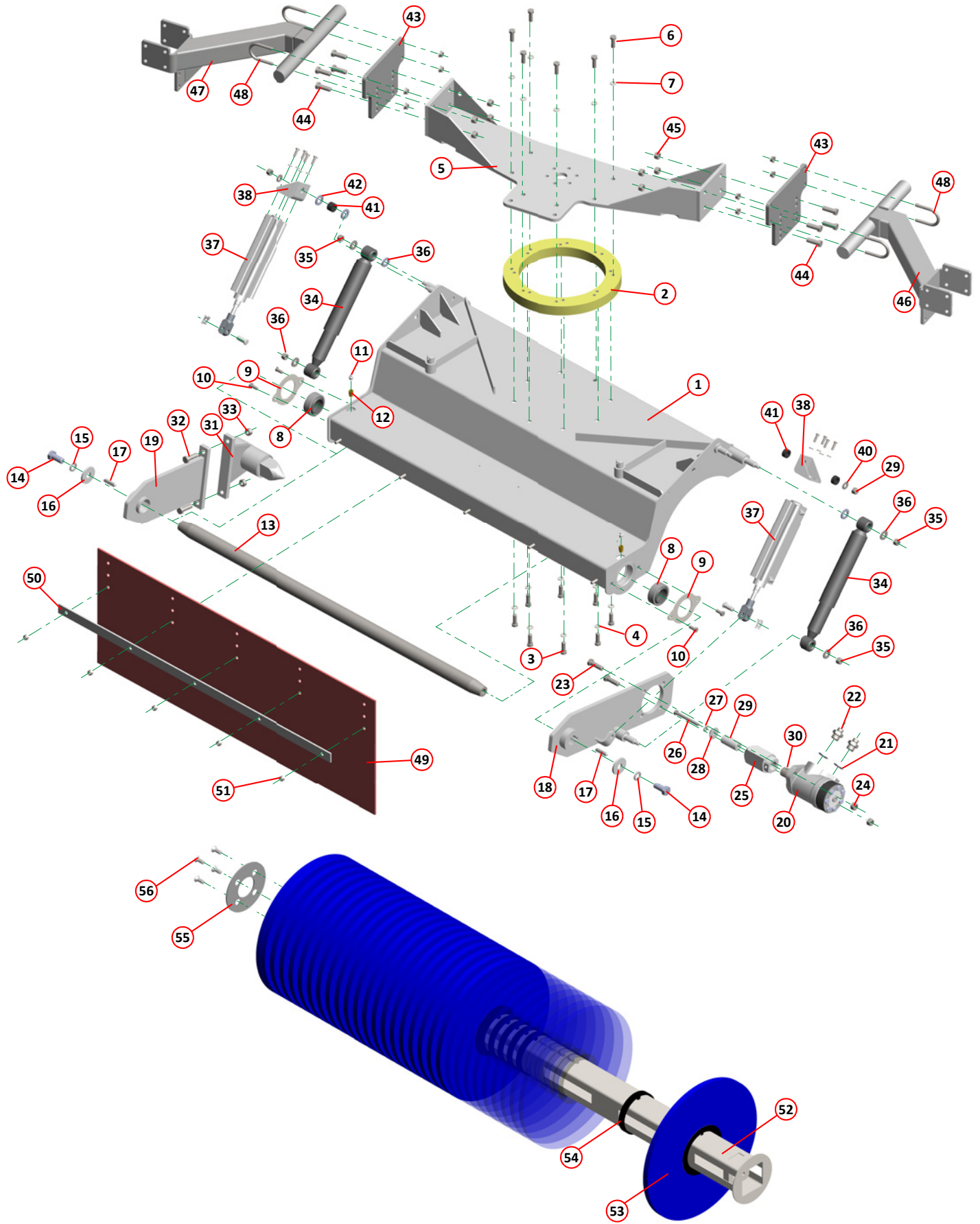


SIDE BRUSH PRESSURE ASSEMBLY

Item	Part Number	Quantity	Description
Wide Sweep Assembly			
1	036216	1	Cover, wide sweep, standard Page 48
2	020919	1	Ring, adaptor, fixed slew
3	011031	8	Setscrew, M10 x 25mm
4	011095	8	Spring washer, M10
5	024155	1	Support, wide sweep
6	011031	6	Setscrew, M10 x 25mm
7	011095	6	Spring washer, M10
8	036789	2	Spherical bearing, wide sweep pivot
9	037172	2	Bearing retaining plate
10	011010	4	Setscrew, M8 x 20mm
11	010903	2	Greasing point, straight, $\frac{1}{8}$ " BSP
12	040301	2	Extension, greasing point, $\frac{1}{8}$ " BSP
13	023080	1	Shaft, tapered, wide sweep pivot
14	011141	2	Setscrew, M16 x 35mm
15	011142	2	Washer
16	013439	2	Washer, special, 50 x 16.5 x 5
17	013292	2	Key
18	023077	1	Plate, motor, LH
19	023078	1	Plate, bearing housing, RH
20	010566	1	Motor, hydraulic, OMP 100 Page 98
21	011154	2	Dowty seal, $\frac{1}{2}$ " BSP
22	011167	2	Adaptor, $\frac{1}{2}$ " x $\frac{3}{8}$ "
23	011053	2	Setscrew, M12 x 35mm
24	011077	2	Nut, M12, Nyloc
25	024535	1	Shaft, drive
26	011012	1	Setscrew, M8 x 30mm
27	011093	1	Spring washer, M8
28	024538	1	Washer, cone, special
29	038106	1	Spacer
30	011515	1	Key
NI	040058*	1	Spacer
31	024224	1	Bearing assembly, wide sweep Page 48
32	011053	2	Setscrew, M12 x 35mm
33	011077	2	Nut, M12, Nyloc
34	014063	2	Shock Absorber
35	011075	4	Nut, M10, Nyloc
36	011096	6	Washer, M12
37	020602	2	Cylinder, pneumatic, wide sweep raise/lower Page 114
38	030532	2	Pivot Bracket
39	011075	2	Nut, M10, Nyloc
40	011094	2	Washer, M10
41	011000	3	Spacer, rubber, $\frac{5}{8}$ " bore x $\frac{1}{2}$ " long
42	011096	2	Washer, M12
43	034336	2	Drop Plate
44	011053	8	Setscrew, M12 x 35mm
45	011077	8	Nut, M12, Nyloc
46	034334	1	Wide sweep Adjuster Bar LH
47	034335	1	Wide sweep Adjuster Bar RH
48	023148	4	U Clamp
49	022516	1	Skirt, wide sweep Page 54
50	022517	1	Clamp strip, wide sweep skirt
51	011073	1	Nut, M8, Nyloc
52	013646	1	Brush core, wide sweep
53	023474	31	Brush element, \varnothing 400mm, poly Page 54
54	023472	29	Spacer, brush core
55	013649	1	End Cap, brush core
56	011417	4	Screw, socket countersunk, $\frac{3}{8}$ " UNC x 1"

Notes:-

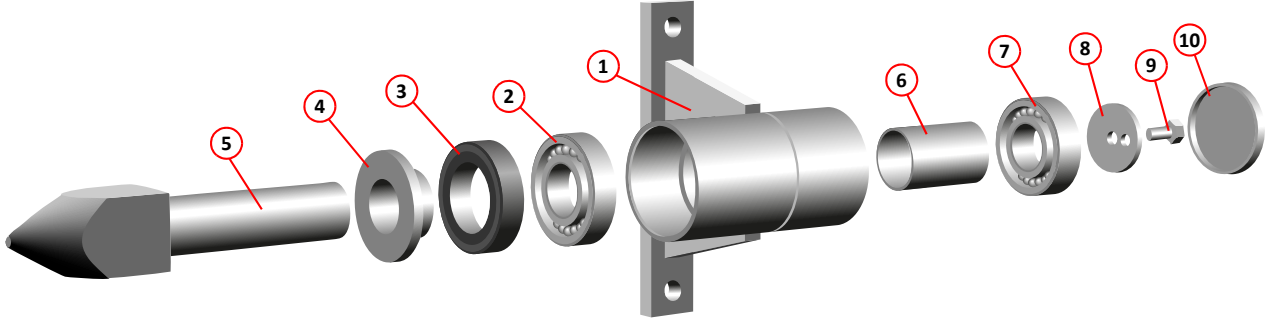
* This part is required if the drive motor is manufactured by Eaton, please contact Scarab Parts Department.



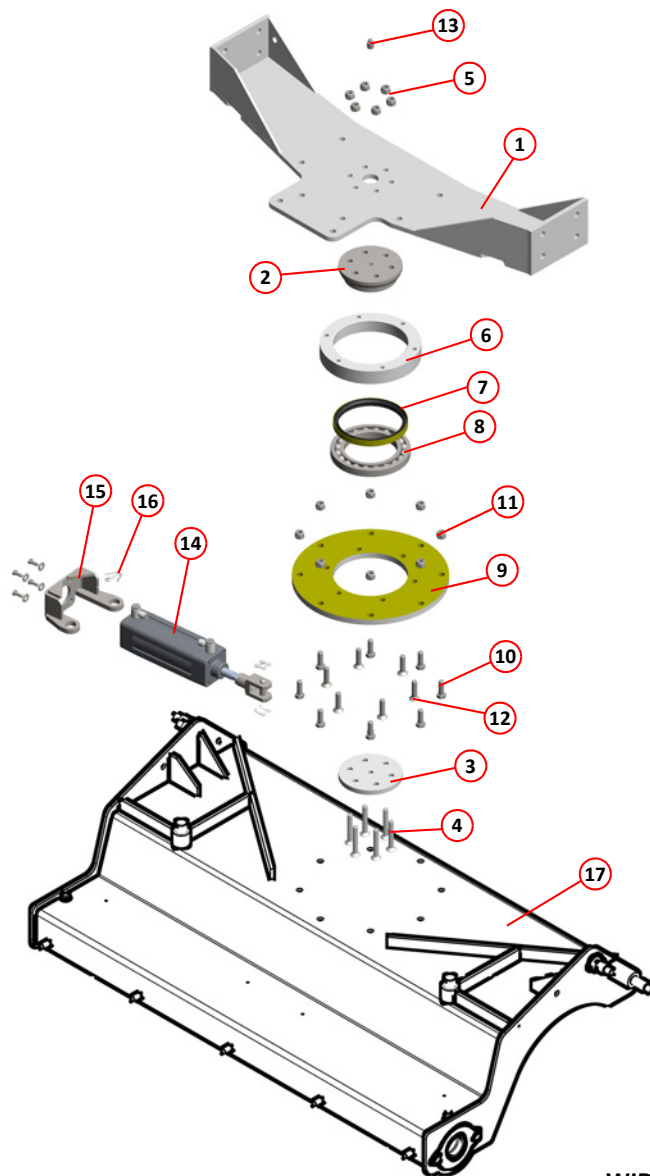
WIDE SWEEP ASSEMBLY

<i>Item</i>	<i>Part Number</i>	<i>Quantity</i>	<i>Description</i>
			Wide Sweep Bearing Assembly
	024224	1	Bearing assembly complete Page 46
1	024219	1	Housing, bearing assembly
2	010578	1	Bearing, ball race
3	024220	1	Oil seal
4	024221	1	Spacer
5	024223	1	Shaft
6	024531	1	Spacer
7	010578	1	Bearing, ball 6206
8	010004	1	Washer, special 45mm OD x 9mm ID x 4mm thick
9	011010	1	Setscrew, M8 x 20mm
10	024222	1	Cap, bearing

<i>Item</i>	<i>Part Number</i>	<i>Quantity</i>	<i>Description</i>
			Wide Sweep Slewing Arrangement
1	024155	1	Support, wide sweep
2	024150	1	Spigot
3	024151	1	Plate, clamp
4	000178	6	Screw, socket countersunk, M10 x 65mm
5	011075	6	Nut, M10, Nyloc
6	024152	1	Housing, bearing
7	024148	1	Oil seal
8	024149	1	Bearing
9	024154	1	Clamp ring
10	011032	8	. . . Setscrew, M10 x 30mm
11	011075	8	Nut, M10, Nyloc
12	000167	6	Screw, socket countersunk, M10 x 40mm
13	010901	1	Greasing point, 135°, $\frac{1}{8}$ " BSP
14	020767	1	Cylinder, pneumatic, wide sweep slew Page 114
15	033620	1	Pivot bracket
16	011122	1	Split pin, $\frac{3}{16}$ " x $1\frac{1}{2}$ "
17	036216	1	Cover, wide sweep, standard Page 46



WIDE SWEEP BEARING ASSEMBLY

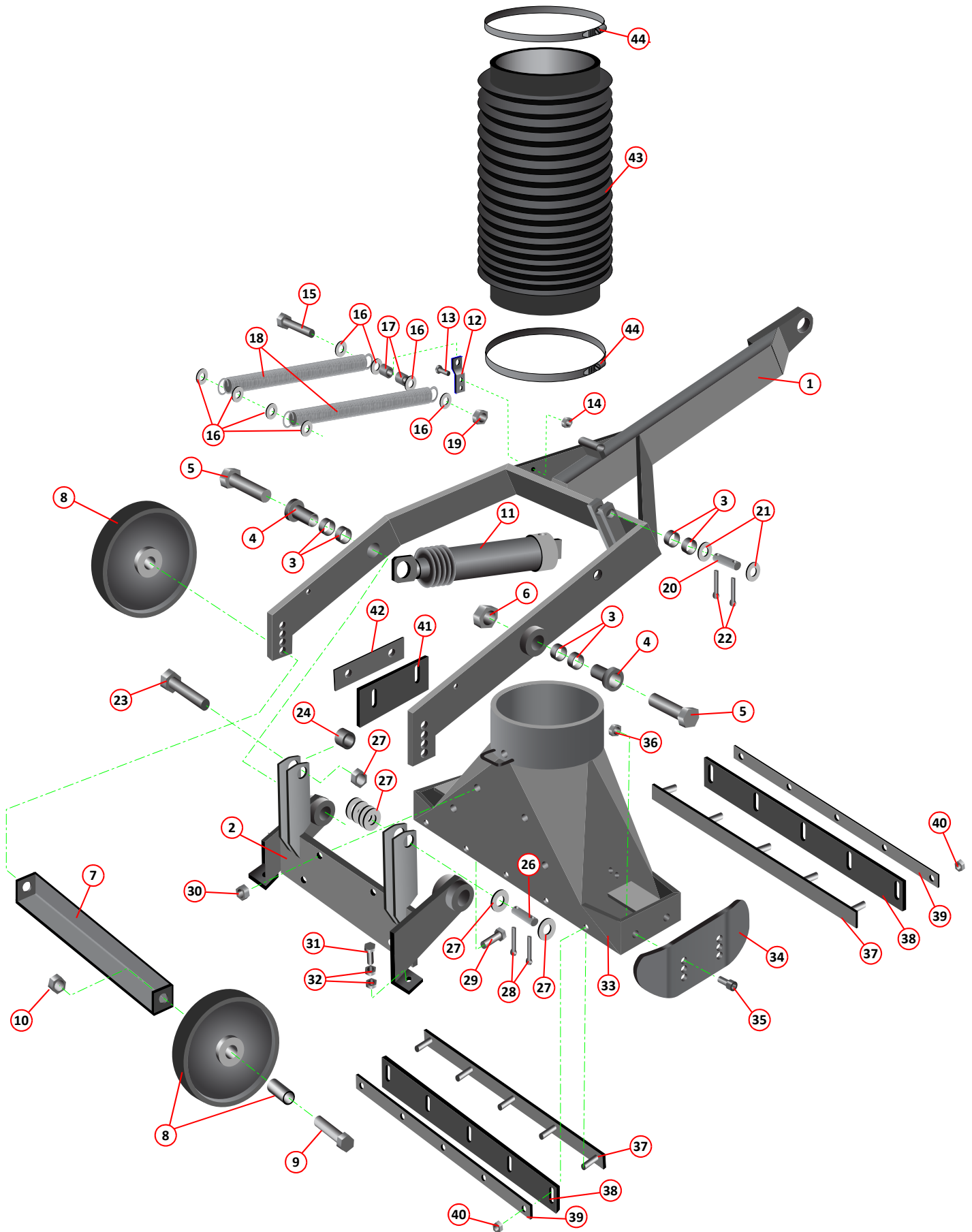


WIDE SWEEP SLEWING ARRANGEMENT

Item	Part Number	Quantity	Description
Hydraulic Tilting Suction Nozzle Assembly			
1	023606	1	Frame, right hand
NI	023605	1	Frame, left hand
NI	010606	3	Nozzle lift carabiner
NI	010525	AR	Nozzle lift chain
2	023607	1	Nozzle tilt pivot
3	024682	6	Bush, hardened
4	021416	2	Sleeve
5	000351	2	Bolt, M14 x 70mm
6	011127	2	Nut, M14, Nyloc
7	031833	1	Axle
8	031831	2	Wheel, ø250mm complete with spacer
9	011133	2	Bolt, M16 x 100mm
10	011060	2	Nut, M16, Nyloc
11	041955	1	Nozzle tilt ram assembly Page 100
12	025100	1	Spring bracket, right hand
NI	025099	1	Sprint bracket, left hand
13	011032	1	Bolt, M10 x 30mm
14	011075	1	Nut, M10, Nyloc
15	000040	1	Bolt, M10, Nyloc
16	011094	8	Washer, M10
17	011724	2	Spacer, 20 x 12.5 x 11mm
18	010017	2	Spring
19	011075	1	Nut, M10, Nyloc
20	010067	1	Pin, 20 x 50mm
21	011102	2	Washer, M20
22	011122	2	Split pin, $\frac{3}{16}$ " X $1\frac{5}{32}$ "
23	000040	1	Bolt, M10 x 55mm
24	013363	1	Spacer sleeve
25	011075	1	Nut, M10, Nyloc
26	014038	1	Pin, 20 x 70mm
27	011102	6	Washer, M20
28	011122	2	Split pin, $\frac{3}{16}$ " X $1\frac{5}{32}$ "
29	011031	4	Setscrew, M10 x 25mm
30	011075	4	Nut, M10, Nyloc
31	011054	2	Setscrew, M12 x 45mm
32	011076	4	Nut, M12
33	023604	1	Suction nozzle box
NI	034720	1	Suction nozzle box, PU lined
34	013277	1	Skid plate
35	011021	2	Socket cap screw, M8 x 25mm
36	011073	2	Nut, M8, Nyloc
37	013362	2	Flap bolt retainer
38	013023*	2	Flap, front/rear
39	013025	2	Flap clamp plate, front/rear
40	011073	10	Nut, M8, Nyloc
41	013283*	1	Flap, side
42	013024	1	Flap clamp plate, side
NI	011012	2	Setscrew, M8 x 30mm
NI	011073	2	Nut, M8, Nyloc
43	013028	1	Suction nozzle hose Page 52
44	012933	2	Hose clamp, worm drive, 235-267mm

Notes:-

* For a FULL set of suction nozzle rubber flaps order part number 024550



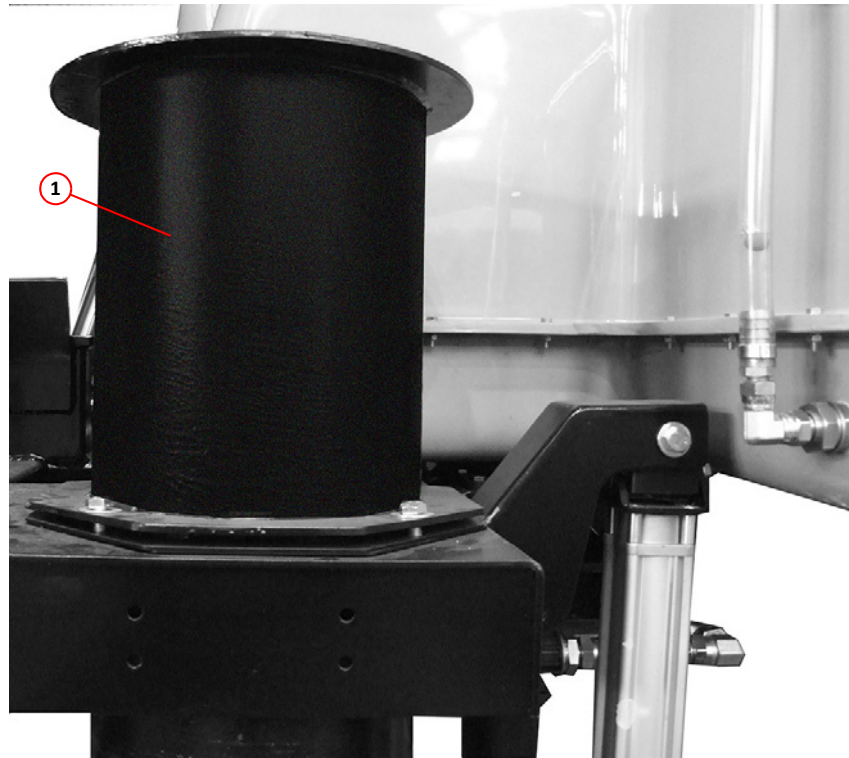
i Right hand tilting suction nozzle assembly shown, left hand similar.

Frame tow-point ball ends are welded to the frame but can be procured as replacements if required. Please contact the Scarab Parts Department for details.

HYDRAULIC TILTING SUCTION NOZZLE ASSEMBLY

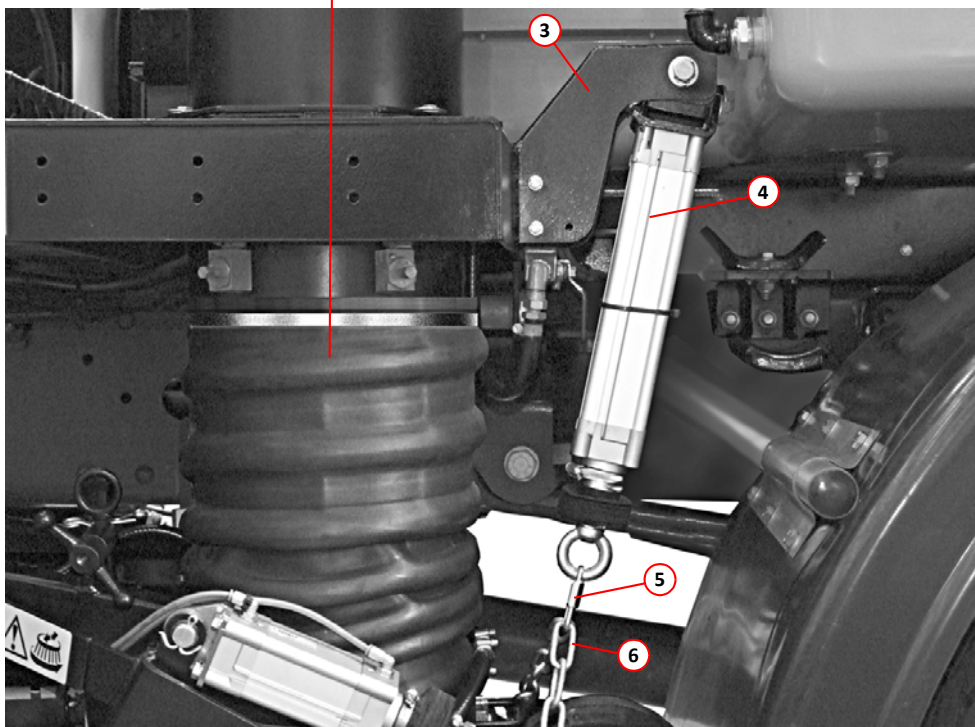
<i>Item</i>	<i>Part Number</i>	<i>Quantity</i>	<i>Description</i>
Suction Spigot			
1	034368	1	Suction spigot
1	035282	1	Suction spigot, PU coated (option)
	011054	4	Setscrew, M12 x 45mm
	011096	8	Washer, M12
	011077	4	Nut, M12, Nyloc
2	013028	1	Hose/trunking, suction nozzle box Page 50
NI	012933	2	Clamp, hose, worm drive, 235-267mm

<i>Item</i>	<i>Part Number</i>	<i>Quantity</i>	<i>Description</i>
Suction Nozzle Raise/Lower Arrangement			
3	030775	1	Bracket, Cylinder, mounting
	011031	4	Setscrew, M10 x 25mm
	011094	8	Washer, M10
	011075	4	Nut, M10, Nyloc
4		1	Cylinder, pneumatic, nozzle lift, assembly Page 114
5	010606	4	Carabiner
6	010525	AR	Chain, large link, nozzle lift



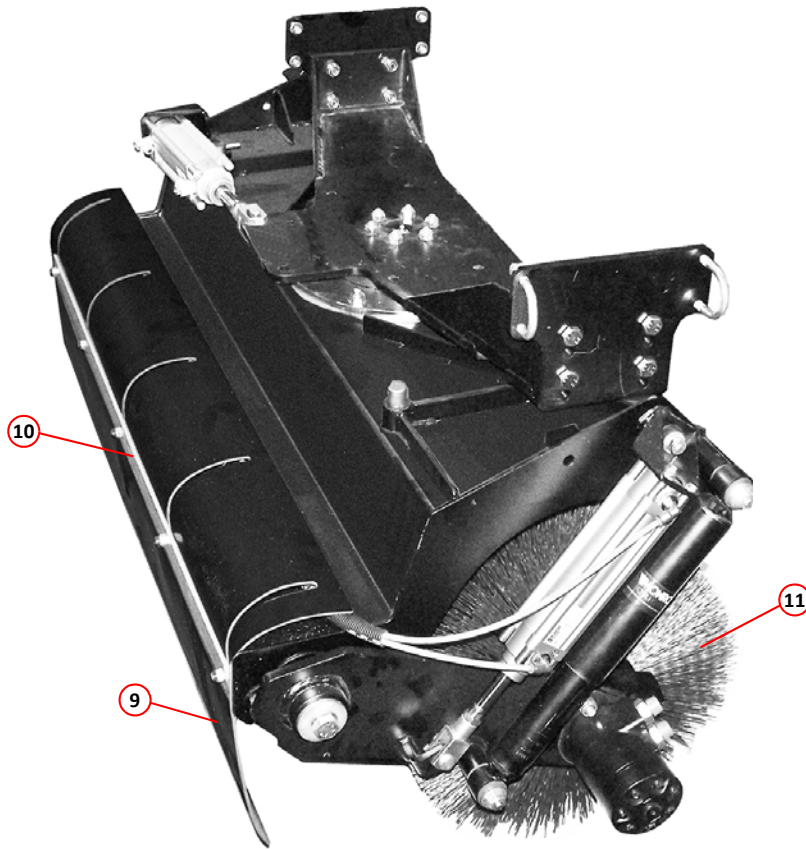
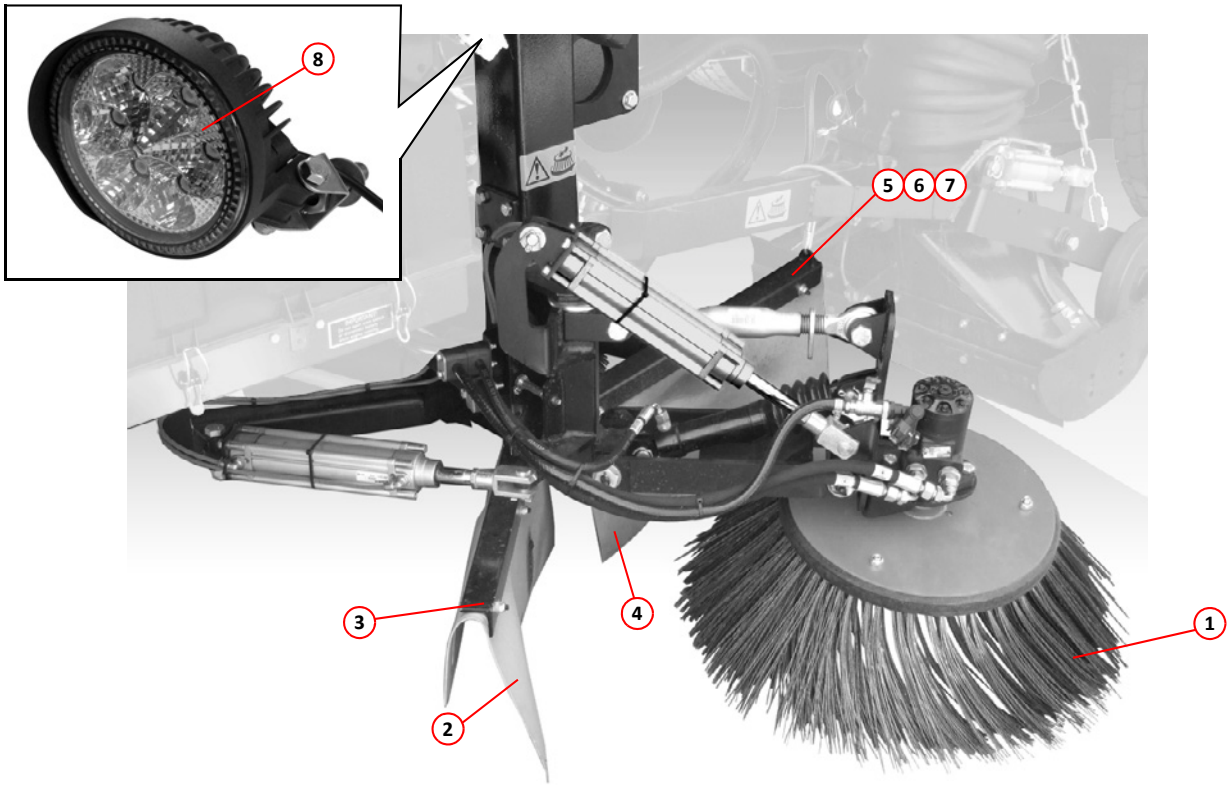
2

SUCTION SPIGOT



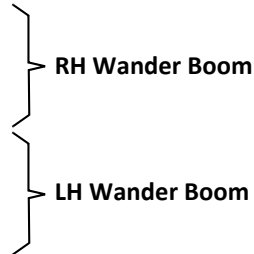
SUCTION NOZZLE - RAISE/LOWER ARRANGEMENT

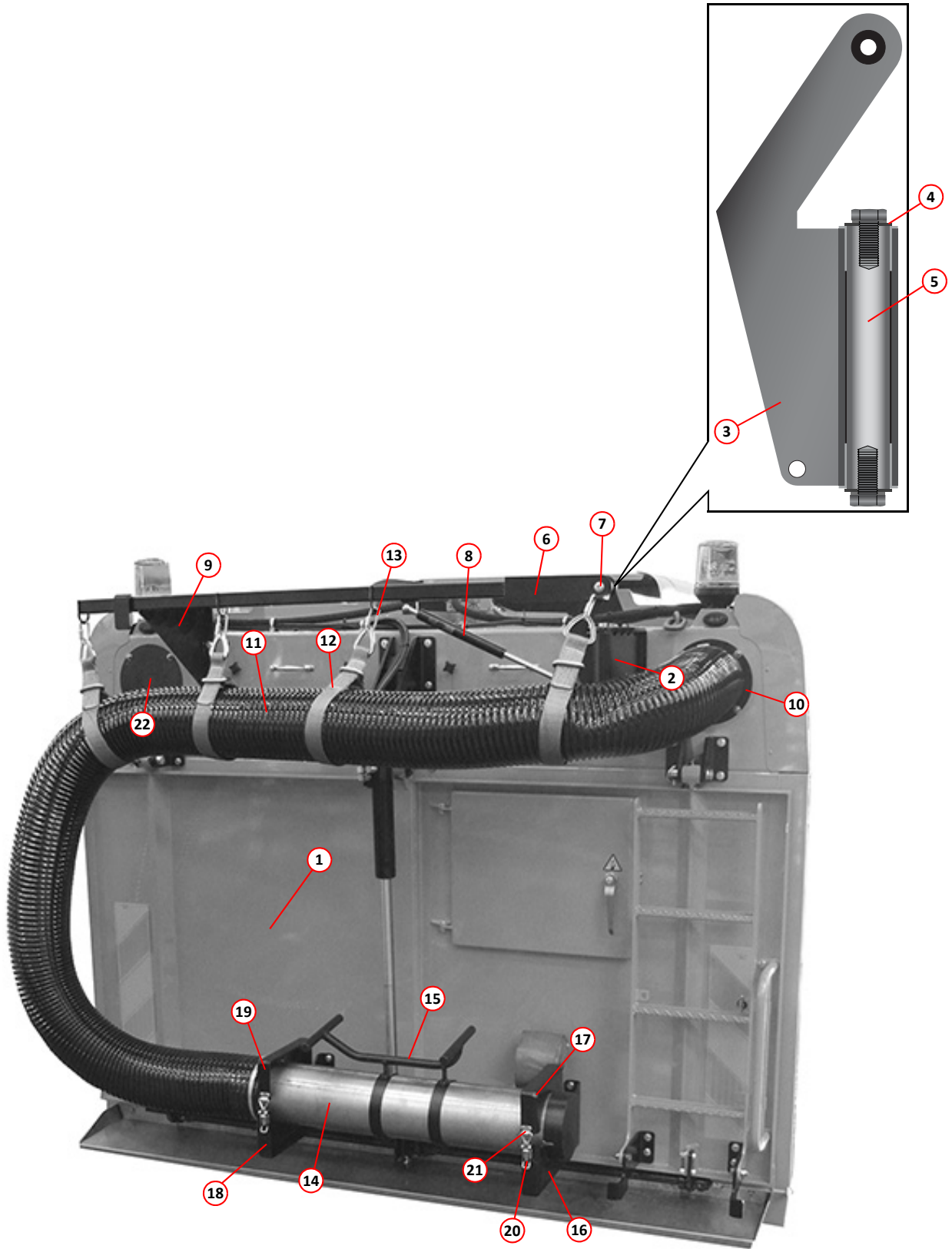
<i>Item</i>	<i>Part Number</i>	<i>Quantity</i>	<i>Description</i>
Associated Sweeping Equipment - Brushes and Skirts			
1	023473	1	Side brush, ø400mm, 3 stud (steel) Page 42
NI	020921	1	Side brush, ø400mm, 3 stud (weed ripping) Page 42
NI	025744	1	Side brush, ø400mm, 3 stud (poly) Page 42
2	010247	1	. Skirt, side brush, front, 3 slot, heavy duty
2	040709	1	. Skirt, side brush, front, 3 slot, standard duty
3	010275	1	. . Clamp, skirt, 3 stud
	011092	6	. . . Washer, M8
	011073	3	. . . Nut, M8, Nyloc
4	010247	1	. Skirt, side brush, side, 3 slot, heavy duty
4	040709	1	. Skirt, side brush, side, 3 slot, standard duty
5	013145	1	. . Clamp, angle, 3 hole
6	010275	1	. . Clamp, skirt, 3 stud
	011092	6	. . . Washer, M8
	011073	3	. . . Nut, M8, Nyloc
7	010606	2 Carabiner
8	038769	1	Work light, LED Page 124
NI	037084	1	Work light, 24V x 70W Page 124
9	022516	1	Skirt, wide sweep, heavy duty
9	040711	1	Skirt, wide sweep, standard duty
10	022517	1	. Clamp, wide sweep
	011073	5	. . Nut, M8, Nyloc
11	023474	1	Brush element, wide sweep, ø400mm, box of 44 Page 46



ASSOCIATED SWEEPING EQUIPMENT - BRUSHES AND SKIRTS

Item	Part Number	Quantity	Description
Rear Wander Boom Arrangement			
1	039263	1	Rear door, with RH inspection/cleaning hatch Page 34,38
NI	039311	1	Rear door, with LH inspection/cleaning hatch Page 34,38
2	034767	1	. Hinge, wander boom, RH
NI	034312	1	. Hinge, wander boom, LH
	011032	6	. . Setscrew, M10 x 35mm
	011094	12	. . Washer, M10
	011075	6	. . Nut, M10, Nyloc
3	028025	1	. . . Hinge, boom arrangement
4	013662	2 Bush, plastic
5	023490	1 Hinge, shaft, boom arrangement
	011097	2 Spring washer, M12
	011052	2 Setscrew, M12 x 35mm
	010903	1	. . . Greasing point, straight, $\frac{1}{8}$ " BSP
6	025218	1	. . Support arm, boom
	011032	2	. . . Setscrew, M10 x 35mm
	011094	4	. . . Washer, M10
	011075	2	. . . Nut, M10, Nyloc
7	012548	1	. . . Bracket, angle (carabiner)
8	021993	1	. . Gas strut, boom support arm
9	034313	1	. . Stowage hook, boom support arm
10	025225	1	. Wander hose sleeve
	000263	4	. Washer, M8, stainless steel
	000264	4	. Nut, M8, Nyloc, stainless steel
11	036062	1	. . Wander hose, \varnothing 180mm x 5m
12	025235	4	. . . Strap, wander hose
13	010606	4	. . . Carabiner
	012933	2 Clamp, hose, worm drive, 235-267mm
14	035959	1	. . . Tube, wander boom
15	039283	1 Handle, wander boom tube
16	039280	1	. Stowage bracket, lower (used on right side)
17	039282	1	. . Stowage bracket, upper, (used on right side)
18	035963	1	. Stowage bracket, lower, (used on left side)
19	035962	1	. . Stowage bracket, upper, (used on left side)
NI	039281	1	. Stowage bracket, lower, (used on left side)
19	035962	1	. . Stowage bracket, upper, (used on left side)
18	035963	1	. Stowage bracket, lower, (used on right side)
19	035962	1	. . Stowage bracket, upper, (used on right side)
20	010509	2	. . Fastener, hinge, toggle clip
21	021841	2	. . Fastener, hook, toggle clip
	000389	8	. . . Screw, Pozidriv, countersunk, M5 x 16mm
	000155	8	. . . Nut, M5, Nyloc
22	025486	1	. . Cover plate, wander boom attachment
	000264	4	. . . Washer, M8, stainless steel
	000263	4	. . . Nut, M8, Nyloc, stainless steel





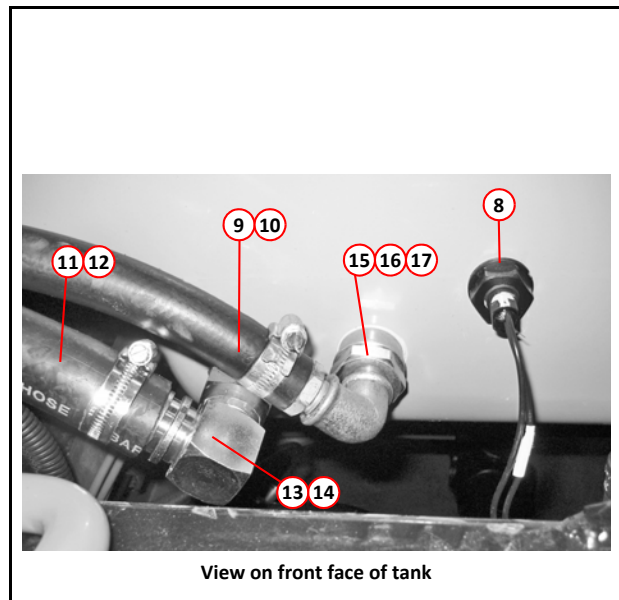
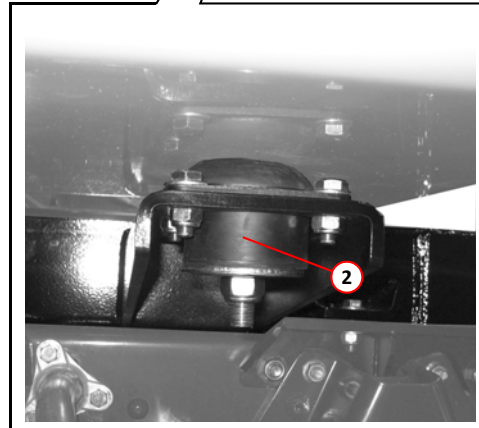
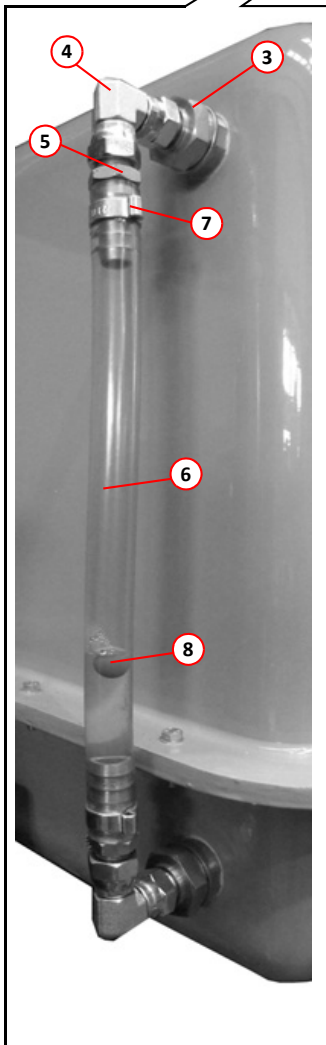
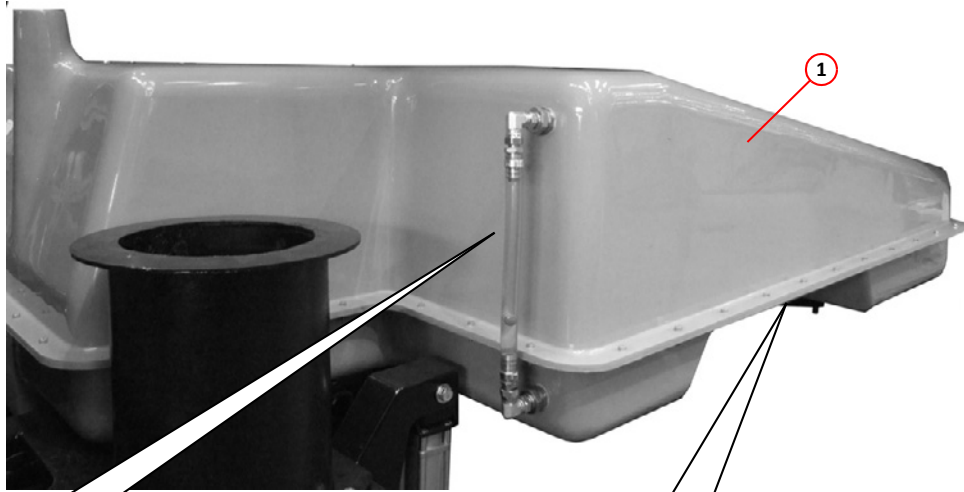
REAR WANDER BOOM ARRANGEMENT

WASHING AND DUST SUPPRESSION SECTION E

TABLE OF CONTENTS

<i>Assembly/Description</i>	<i>Page</i>
Water Tank Assembly	60
Water Tank Drain Valve Assembly	62
Water Filter Assembly - High Pressure	62
Water Tank Filler Arrangement	64
Low Pressure Water Pump Electric- Arrangement	66
Water Valve Assembly	68
Side Brush Low Pressure Water Spray Nozzle	70
Front Low Pressure Spray Bar	70
Combined High & Low Pressure Front Spray Bar Arrangement	72
Suction Nozzle Box - Dust Suppression	74
Suction Tube - Dust Suppression	74
Automatic Hose Reel and Lance Assembly	76
High Pressure Water Pump 42 LPM - Arrangement	78
High Pressure Water Pump 42 LPM - Components	80
High Pressure Water Pump 42 LPM - Seal Kits	81

Item	Part Number	Quantity	Description
Water Tank Assembly			
1	034333	1	. Water tank (GRP) Page 22
2	033838	4	. . Anti-vibration mount, rubber
	011060	4	. . . Nut, M16, Nyloc
	011032	16	. . . Setscrew, M10 x 30mm
	011094	16	. . . Washer, M10
	011075	16	. . . Nut, M10, Nyloc
3	010946	2	. . Bush, reducer, $\frac{3}{4}$ " x $\frac{3}{8}$ " BSP
NI	011155	2	. . . Seal, Dowty $\frac{3}{4}$ " BSP
4	010913	2	. . Elbow, galvanised, M/M, $\frac{3}{8}$ " BSP
5	010930	2	. . Hose tail, $\frac{3}{8}$ " BSP x $\frac{5}{8}$ " hose
6	040424	1	. . . Tube, clear PVC, $\frac{5}{8}$ " ID
7	000202	2 O clamp $\frac{7}{8}$ "
8	025335	1 Ball, float, ϕ $\frac{1}{2}$ " plastic
9	011210	1	. . Elbow, $\frac{3}{4}$ " BSP x 1" hose
10	011161	2	. . . Adaptor, M/M, straight $\frac{3}{4}$ " BSP
NI	011155	4	. . . Seal, Dowty $\frac{3}{4}$ " BSP
NI	034760	1	. . Lid, water tank
NI	034870	1	. . Plate, sump, water tank
NI	034873	2	. . . Gasket, lid/sump plate. water tank
11	014827	AR	. . Hose, rubber, 1" bore
12	010518	1	. . . Clamp, hose, worm drive, 30-40mm
13	011100	AR	. . Hose, rubber, $\frac{5}{8}$ " bore
14	010517	1	. . . Clamp, hose, worm drive, 18-25mm
15	010913	2	. . Elbow, galvanised, M/M, $\frac{3}{8}$ " BSP
16	010946	2	. . Bush, reducer, $\frac{3}{4}$ " x $\frac{3}{8}$ " BSP
NI	011155	2	. . . Seal, Dowty $\frac{3}{4}$ " BSP
17	010930	2	. . Hose tail, $\frac{3}{8}$ " BSP x $\frac{5}{8}$ " hose
18	036871	1	. . Float switch and amp (option) Page 124

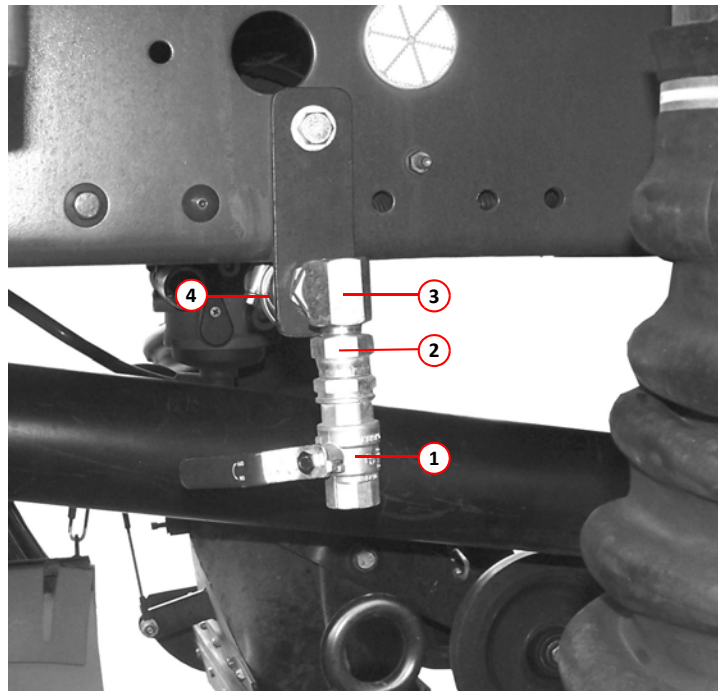


View on front face of tank

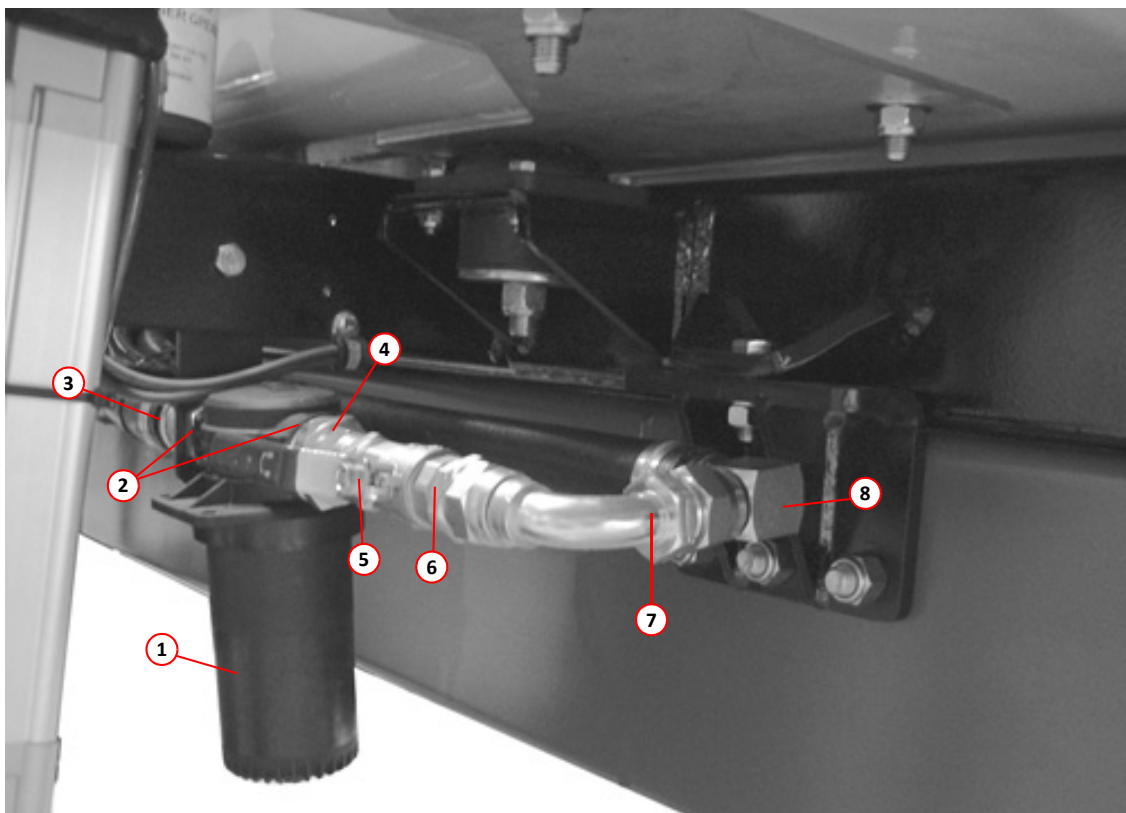
WATER TANK ASSEMBLY

<i>Item</i>	<i>Part Number</i>	<i>Quantity</i>	<i>Description</i>
Water Tank Drain Valve Assembly			
1	013757	1	. Valve, ball $\frac{3}{4}$ " BSP
2	012228	1	. . Coupling, M/M, $\frac{3}{4}$ " BSP
3	002044	1	. . Elbow, compact, M/F, $\frac{3}{4}$ " BSP
4	011161	1	. . Adaptor, M/M, $\frac{3}{4}$ " BSP
NI	010934	1	. . Socket, $\frac{3}{4}$ " BSP
NI	010931	1	. . Hose tail, $\frac{3}{4}$ " BSP x 1" hose
NI	010518	1	. . . Clamp, hose, worm drive, 30-40mm

<i>Item</i>	<i>Part Number</i>	<i>Quantity</i>	<i>Description</i>
Water Filter Assembly - High Pressure			
1	023862	1	. Filter, water (complete with element)
NI	023863	1	. . Element, gauze
NI	023897	1	. . . 'O' Ring
2	000154	2	. Bush, reducing, galvanised, M/F, 1" x $\frac{3}{4}$ " BSP
3	010931	1	. Hose tail, $\frac{3}{4}$ " BSP x 1" hose
4	010916	1	. Adaptor, M/M, $\frac{3}{4}$ " BSP
5	013757	1	. Valve, ball $\frac{3}{4}$ " BSP
6	011161	1	. Adaptor, M/M, $\frac{3}{4}$ " BSP
7	011196	1	. Elbow, swept, M/F, $\frac{3}{4}$ " BSP
8	011210	1	. Elbow, $\frac{3}{4}$ " BSP x 1" hose
NI	010518	1	. Clamp, hose, worm drive, 30-40mm

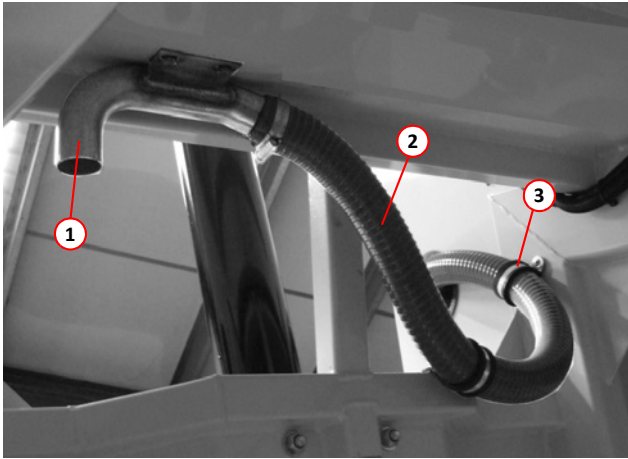


WATER TANK DRAIN VALVE

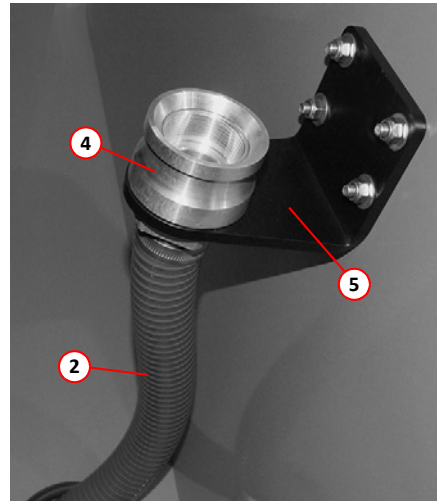


WATER FILTER ASSEMBLY - HIGH PRESSURE

<i>Item</i>	<i>Part Number</i>	<i>Quantity</i>	<i>Description</i>
Water Tank Filler Arrangement			
1	034388	1	Filler pipe
	000257	2	. Setscrew, M8 x 25mm, stainless steel
	000264	2	. Washer, M8, stainless steel
2	001045	AR	Hose, green, medium duty, 1½" bore
3	005055	2	. Clip 50mm OD
NI	003007	2	. Clamp, hose, worm drive, 35-50mm
4	025140	1	Hydrant adaptor, includes back nut
5	039313	1	. Bracket, mounting
	000257	4	. . Setscrew, M8 x 25mm, stainless steel
	000264	8	. . Washer, M8, stainless steel
	000263	4	. . Nut, M8, Nyloc, stainless steel



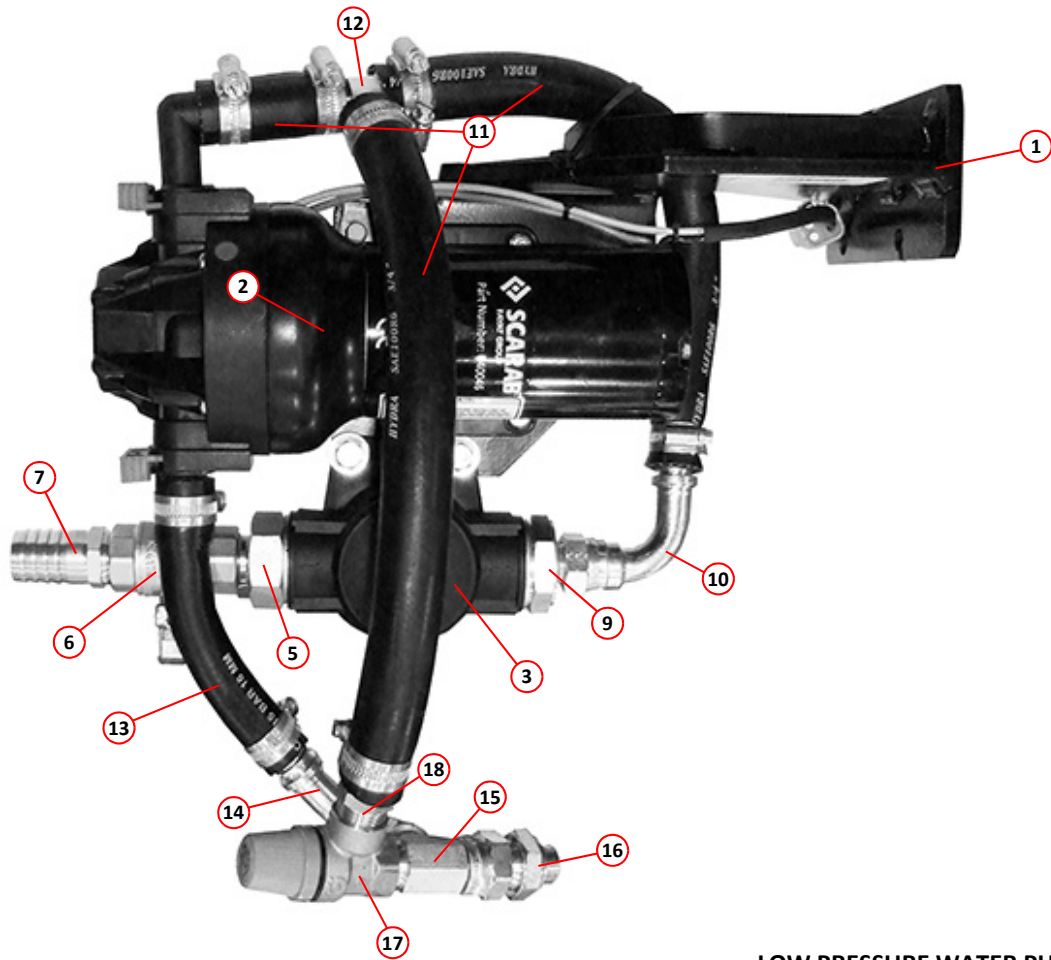
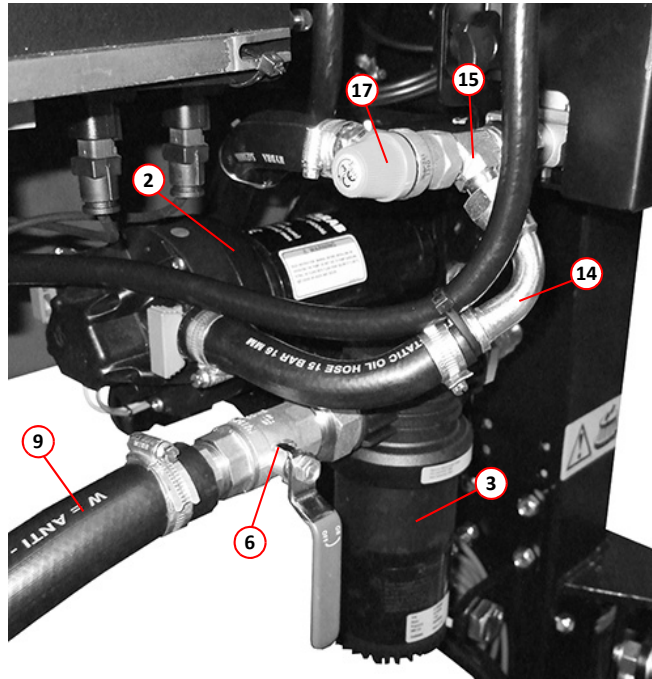
**WATER TANK FILLER HOSE
ROUTING RH**



**HYDRANT ADAPTOR WATER TANK FILLER
LOCATED IN SIDE LOCKER**

WATER TANK FILLER ARRANGEMENT

Item	Part Number	Quantity	Description
Low Pressure Water Pump Electric- Arrangement			
1	038503	1	. Mounting bracket
2	040046	1	. . Water pump, low-pressure (Electric) Page 125
	000230	4	. . . Setscrew, M5 x 45mm
	000410	4 Washer, M5
	000155	4 Nut, M5, Nyloc
3	023862	1	. . Filter (complete with element)
4	023863	1	. . . Filter, element
	011011	2	. . . Setscrew, M8 x 25mm
	011902	4 Washer, M8
	011073	2 Nut, M8, Nyloc
5	011193	2	. . . Reducer, 1 x $\frac{3}{4}$ " BSP
	011156	1 Seal, Dowty, $\frac{1}{4}$ " BSP
6	013757	1 Valve, ball, $\frac{3}{4}$ " BSP
7	010931	1 Hose-tail, $\frac{3}{4}$ " BSP x 1"
8	014827	AR Hose, rubber, 1" bore (from water tank)
	010518	1	. . . Clamp, hose, worm drive, 30-40mm
9	011228	1	. . . Reducer, 1 x $\frac{1}{2}$ " BSP
	011156	1 Seal, Dowty, $\frac{1}{4}$ " BSP
10	011234	1 Elbow, $\frac{1}{2}$ " BSP x $\frac{5}{8}$ " hose
11	002188	AR Hose, rubber, $\frac{3}{4}$ " bore
12	031510	1 Tee, plastic, $\frac{3}{4}$ " hose
	010517	6 Clamp, hose, worm drive, 18-25mm
13	011000	AR	. . . Hose, rubber $\frac{5}{8}$ " bore
14	011234	1 Elbow, $\frac{1}{2}$ " BSP x $\frac{5}{8}$ " hose
	010517	2 Clamp, hose, worm drive, 18-25mm
15	011182	1 Tee, nut on run, $\frac{1}{2}$ " BSP
16	011167	1 Adaptor, $\frac{1}{2}$ " BSP x $\frac{5}{8}$ " BSP (to water valves)
	011153	1 Seal, Dowty, $\frac{5}{8}$ " BSP
17	030741	1 Pressure reducer, $\frac{1}{2}$ " BSP
18	011235	1 Hose-tail, $\frac{1}{2}$ " BSP x $\frac{3}{4}$ " hose

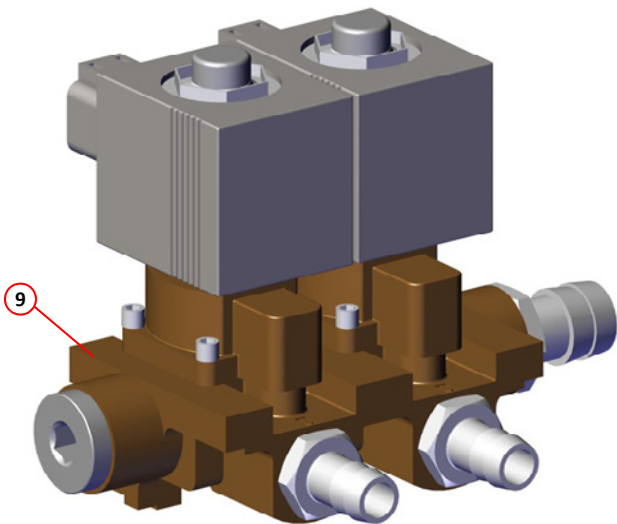
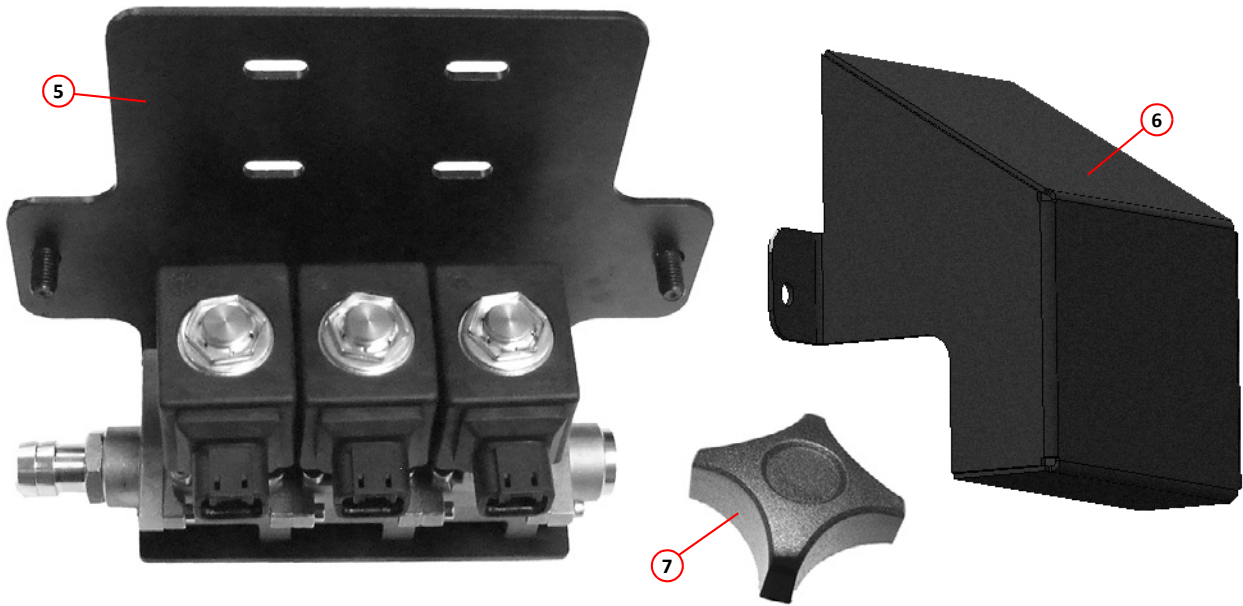
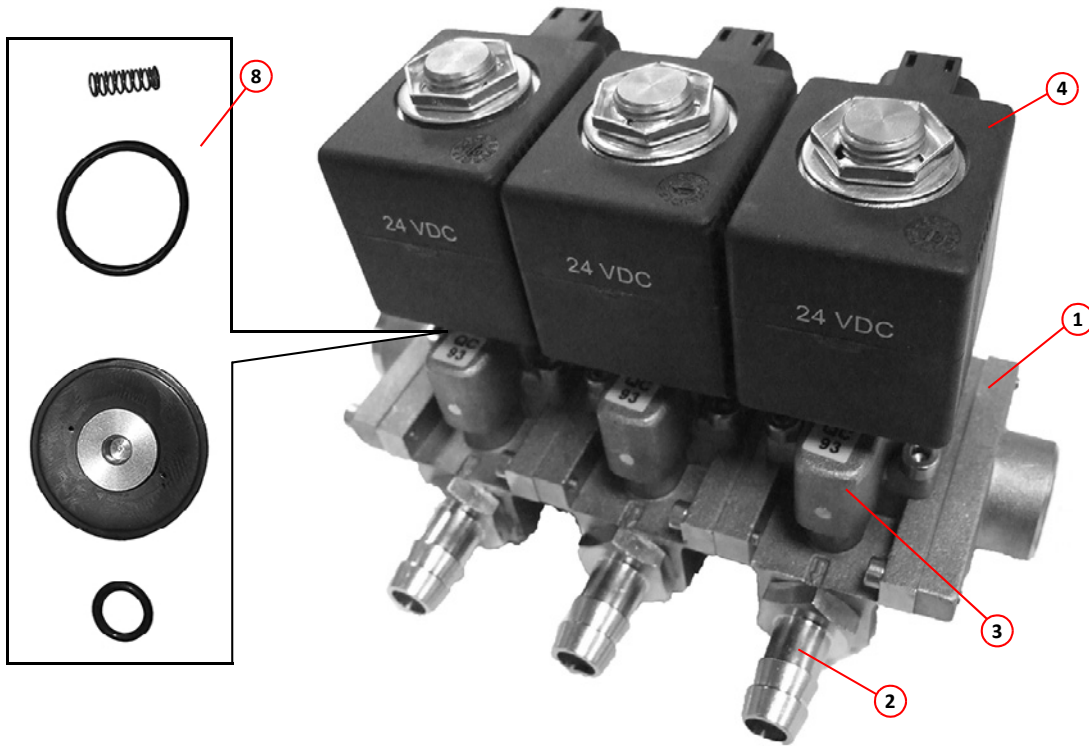


LOW PRESSURE WATER PUMP ELECTRIC

Item	Part Number	Quantity	Description
Water Valve Assembly			
1	038370*	1	. Water Valve, 3 way, assembly
	000052	4	. . Setscrew, M5 x 16mm
	000155	4	. . Nut, M5, Nyloc
2	010922	3	. . . Hose tail, $\frac{1}{4}$ " BSP x $\frac{3}{8}$ " hose
NI	010516	3 Clamp, hose, worm drive, 11-16mm
NI	010950	AR Hose, plastic reinforced, $\frac{3}{8}$ " bore
3	037969	3	. . Solenoid, complete body assembly, BSV122NC24D
4	037059	3	. . Coil, 24 Volt, 8 Watt, BVC24D
5	038384	1	. . Bracket, mounting, water valve assembly
	011001	4	. . . Setscrew, M6 x 16mm
	011071	4	. . . Nut, M6, Nyloc
6	038385	1	. . Cover, water valve assembly
7	000248	2	. . . Knob, plastic, brass insert, M8
8	034624	AR	. Repair kit, BSVRK
9	043113	1	Water valve, 2 way, assembly

Notes:-

* The water valve assembly is shown as 3 way and hence all associated parts are based on that, but depending on actual configuration of the sweeper may contain more or less valves and hence associated components.



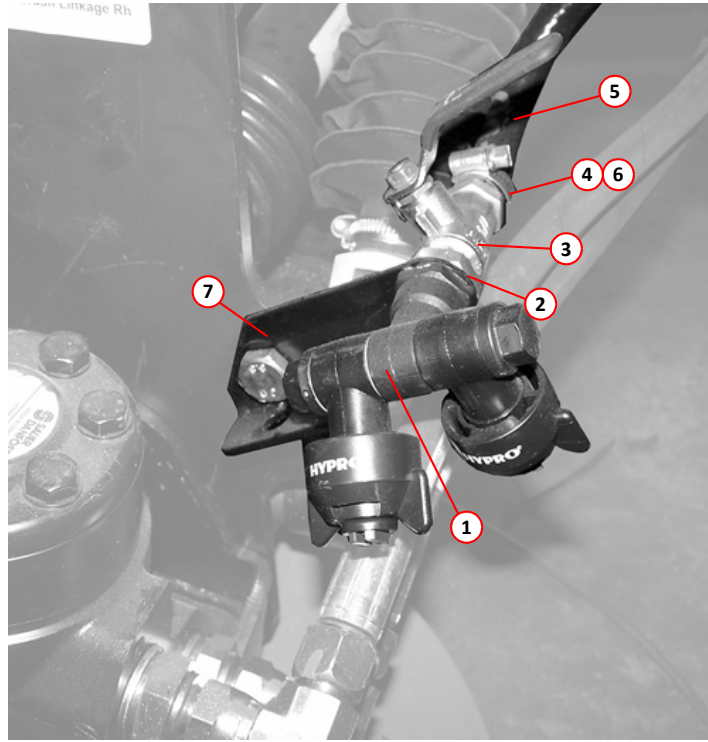
WATER VALVE ASSEMBLY

<i>Item</i>	<i>Part Number</i>	<i>Quantity</i>	<i>Description</i>
Side Brush Low Pressure Water Spray Nozzle			
1	036044	1	. Spray jet assembly complete Page 42
	030746	2	. . Spray body cap
	030748	2	. . . Spray jet
	030633	2	. . . Filter
	030636	2	. . . Washer, rubber
2	011199	1 Adaptor, M/M, $\frac{3}{8}$ " x $\frac{1}{4}$ " BSP
3	011743	1 Valve, ball, $\frac{1}{4}$ " BSP
4	010922	1 Hose tail
5	010950	AR Hose, water
6	010516	1 Clamp, hose, worm drive, 11 - 16mm
7	036043	1	. . Bracket, double spray jet, LH
NI	036042	1	. . Bracket, double spray jet, RH
	011031	1	. . . Bolt, M10 x 25mm
	011075	1	. . . Nut, M10 Nyloc

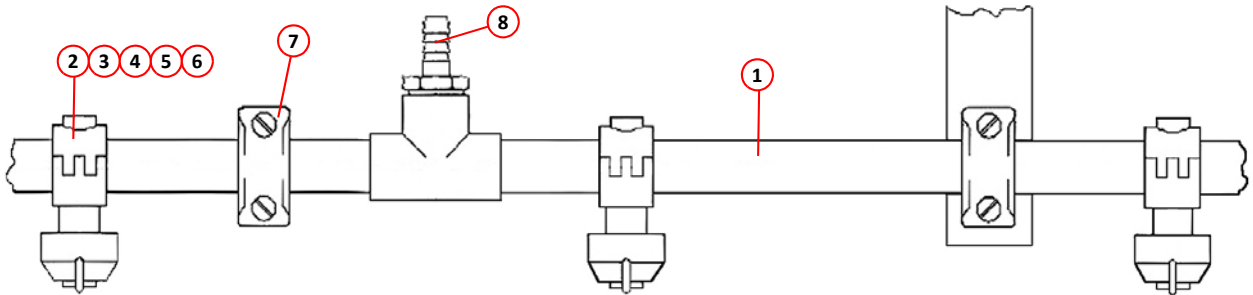
<i>Item</i>	<i>Part Number</i>	<i>Quantity</i>	<i>Description</i>
Front Low Pressure Spray Bar			
1	030323*	1	. Low-pressure spray bar
2	030632	7	. . Jet
3	030633	7	. . Filter
4	030634	7	. . Nozzle holder
5	030635	7	. . Cap, jet
6	030636	7	. . Washer, rubber
7	031338	AR	. . Clamp
8	031339	1	. . Hose tail

Notes:-

- * Mounting brackets for the spray bar are dependant on the vehicle being fitted to. Please contact your local Scarab Dealer or the Scarab Parts Department regarding these parts.



SIDE BRUSH LOW PRESSURE SPRAY NOZZLE

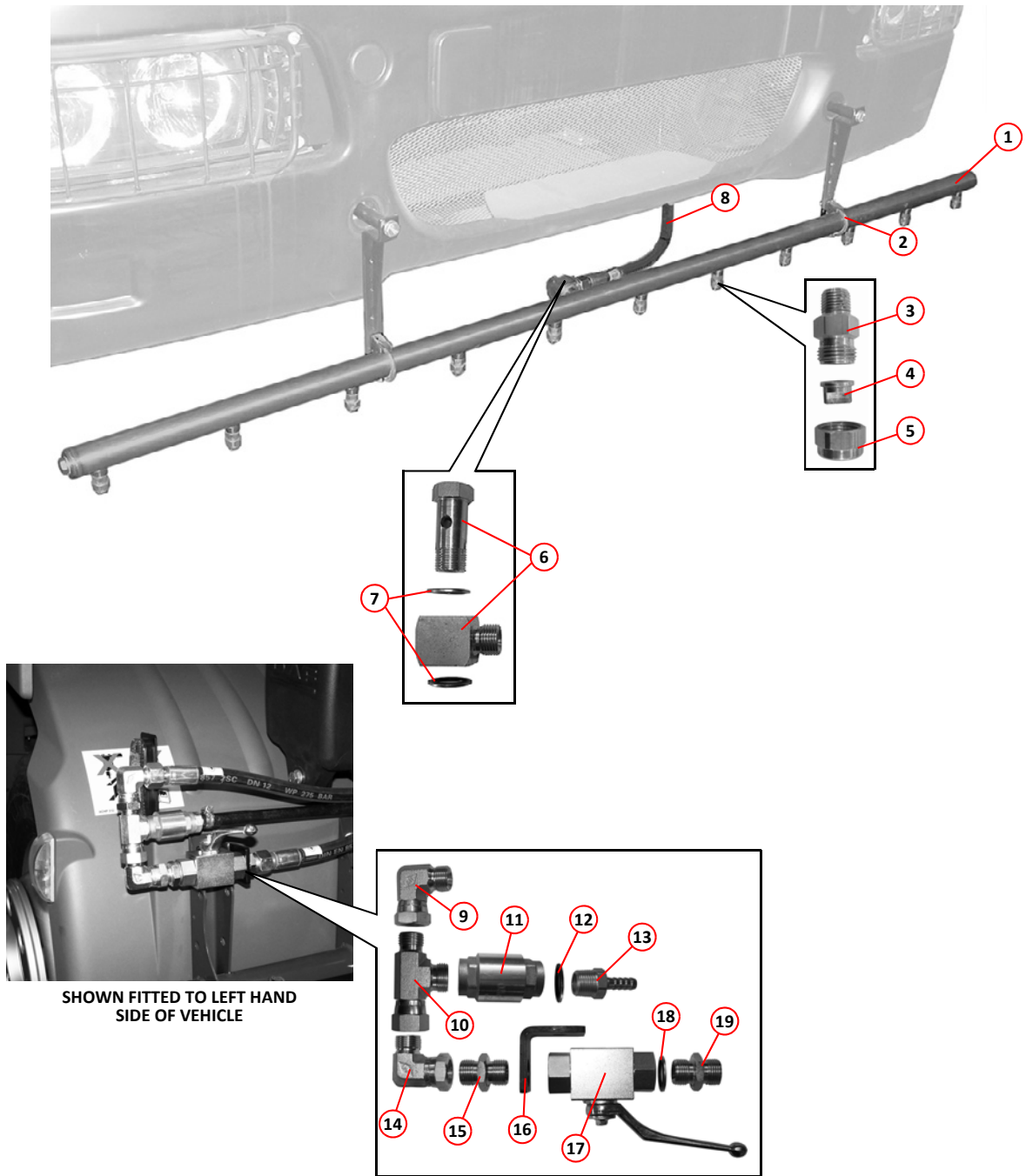


FRONT LOW PRESSURE SPRAY BAR

Item	Part Number	Quantity	Description
Combined High & Low Pressure Front Spray Bar Arrangement			
1	020405*	1	Spray bar, stainless steel
2	014983	AR	U-Clamp
3	010112	11	Nozzle body
4	023377	11	Jet
5	030951	11	Nozzle cap
6	011188	1	Banjo elbow, $\frac{1}{2}$ " BSP (complete)
7	011154	2	Seal, Dowty, $\frac{1}{2}$ " BSP
8	001067	1	Hose, 4500mm long, straight ends, $\frac{1}{2}$ " BSP (to front spray bar)
9	011173	2	Elbow, swivel, M/F, $\frac{1}{2}$ " BSP
10	011182	1	Tee, swivel, M/M/F, $\frac{1}{2}$ " BSP
11	003033	1	Valve, non-return, $\frac{1}{2}$ " BSP
12	011154	4	Seal, Dowty, $\frac{1}{2}$ " BSP
13	003034	1	Hose tail, $\frac{1}{2}$ " BSP x $\frac{3}{8}$ " hose
NI	010958	AR	Hose, plastic re-enforced, $\frac{3}{8}$ " bore (from water valve)
NI	010516	1	Clamp, hose, worm drive, 11-16mm
14	011173	2	Elbow, swivel, M/F, $\frac{1}{2}$ " BSP
15	011160	1	Adaptor, M/M, $\frac{1}{2}$ " BSP
16	025007	1	Bracket, angle, valve support
17	023176	1	Valve, ball, F/F, $\frac{1}{2}$ " BSP
18	011154	4	Seal, Dowty, $\frac{1}{2}$ " BSP
19	011160	1	Adaptor, M/M, $\frac{1}{2}$ " BSP
NI	001068	1	Hose, 4000mm long, straight ends, $\frac{1}{2}$ " BSP (from H-P pump)

Notes:-

- * Mounting brackets for the spray bar are dependant on the vehicle being fitted to. Please contact your local Scarab Dealer or the Scarab Parts Department regarding these parts.

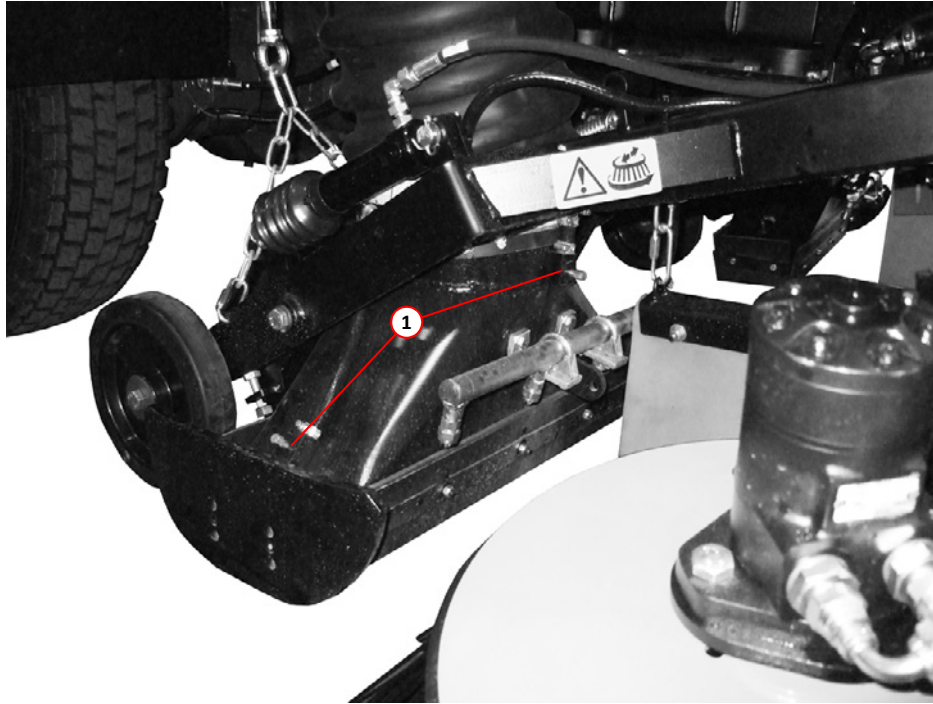


SHOWN FITTED TO LEFT HAND SIDE OF VEHICLE

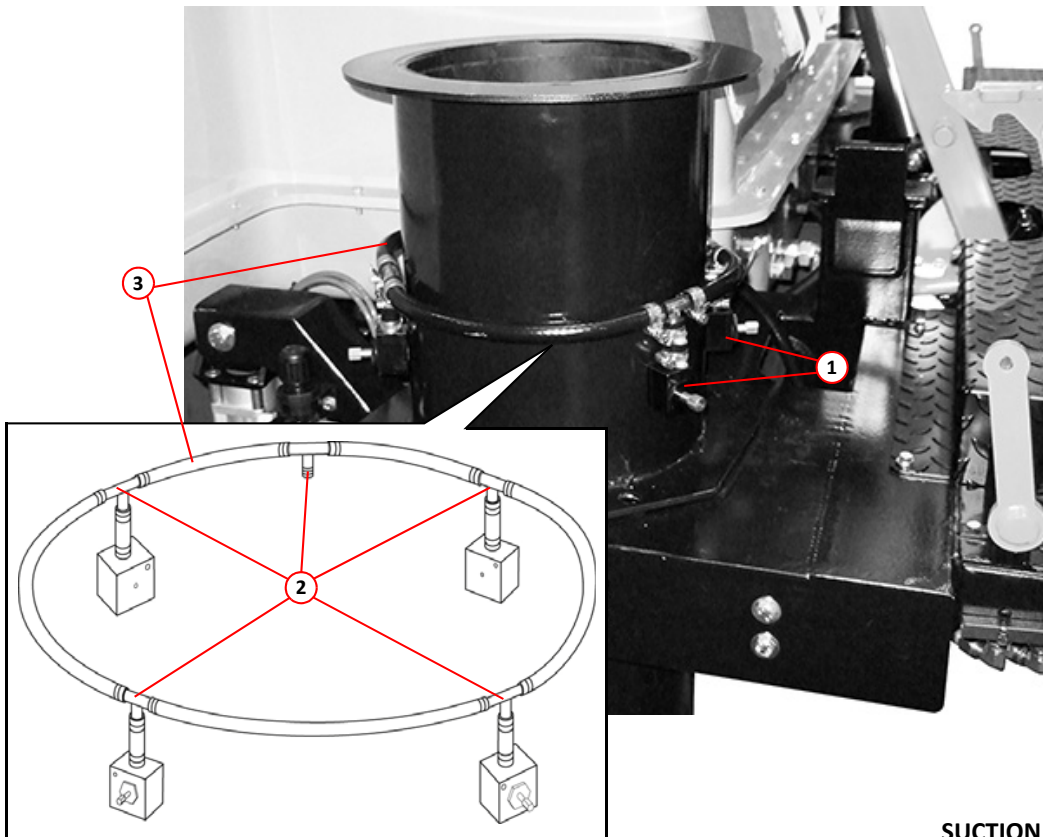
COMBINED HIGH & LOW PRESSURE FRONT SPRAY BAR ARRANGEMENT

<i>Item</i>	<i>Part Number</i>	<i>Quantity</i>	<i>Description</i>
Suction Nozzle Box - Dust Suppression			
1	013360	4	. Jet assembly
	011001	4	. . Bolt, M6 x 16mm
	003000	3	. . . Tee, brass, $\frac{3}{8}$ "
	010950	AR Hose, plastic reinforced, $\frac{3}{8}$ "
	010516	11 Clamp, hose, worm drive, 11-16mm

<i>Item</i>	<i>Part Number</i>	<i>Quantity</i>	<i>Description</i>
Suction Tube - Dust Suppression			
1	013360	4	. Jet assembly
	011001	4	. . Bolt, M6 x 16mm
2	003000	5	. . . Tee, brass, $\frac{3}{8}$ "
3	010950	AR Hose, plastic reinforced, $\frac{3}{8}$ "
	010516	18 Clamp, hose, worm drive, 11-16mm

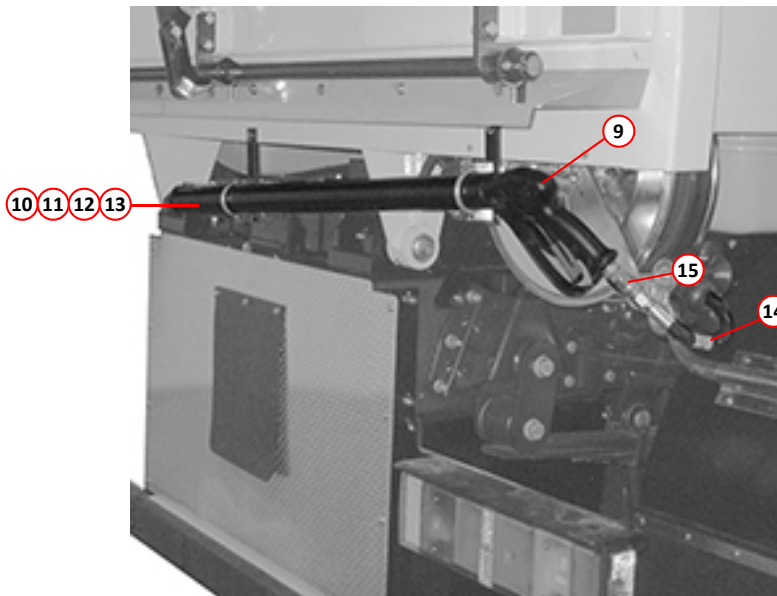
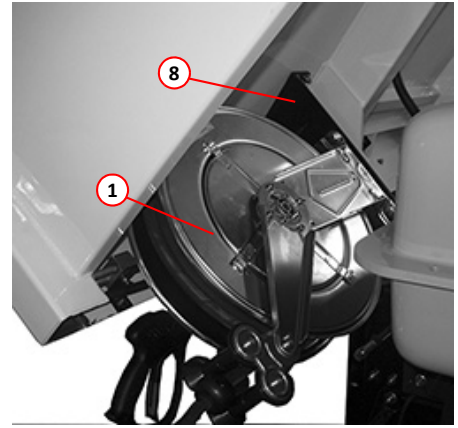
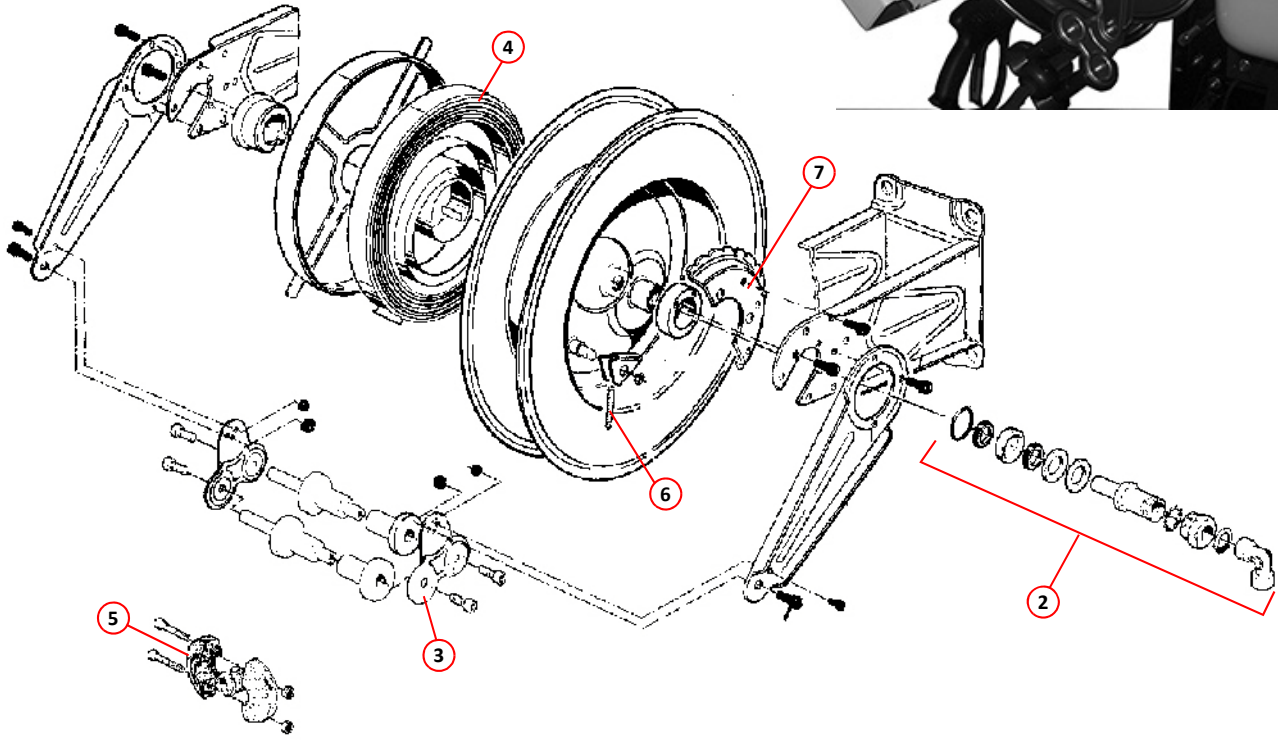


SUCTION NOZZLE BOX DUST SUPPRESSION



SUCTION TUBE DUST SUPPRESSION

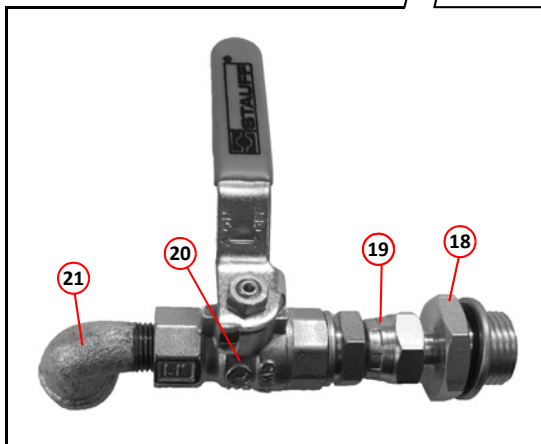
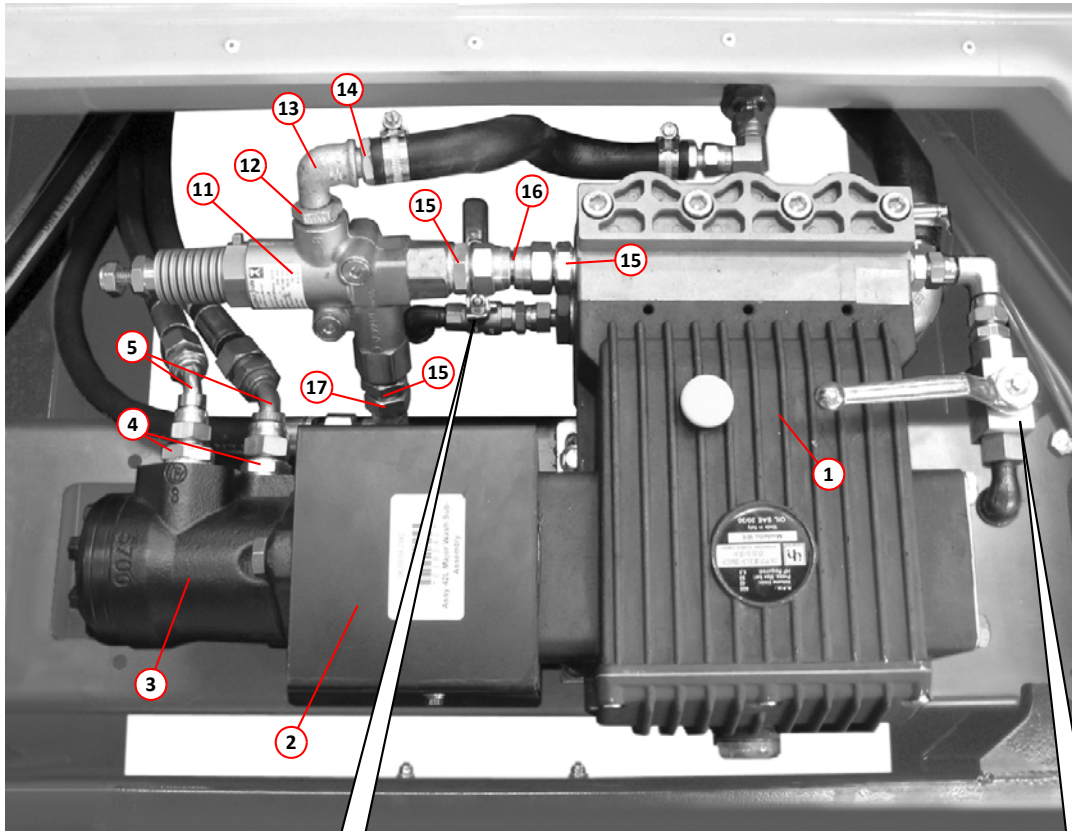
<i>Item</i>	<i>Part Number</i>	<i>Quantity</i>	<i>Description</i>
Automatic Hose Reel and Lance Assembly			
1	020451	1	. Automatic hose reel assembly (less hose)
2	024230	1	. . Elbow, swivel assembly
3	025238	1	. . Roller assembly
4	026753	1	. . Coiled spring
5	026217	1	. . Clamp
6	026754	1	. . Spring, tensioning
7	030570	1	. . Ratchet
8	034390	1	. . Bracket, hose reel
9	010748	1	. . Hand lance
10	025473	1	. . Holder, hand lance
11	012901	2	. . . U-clamp, 2
12	032265	1 Bracket, lance holder, short
13	032266	1 Bracket, lance holder, long
14	010601	13m	. . Hose, rubber, reinforced
15	011159	1	. . Adaptor, M/M, $\frac{3}{8}$ BSP



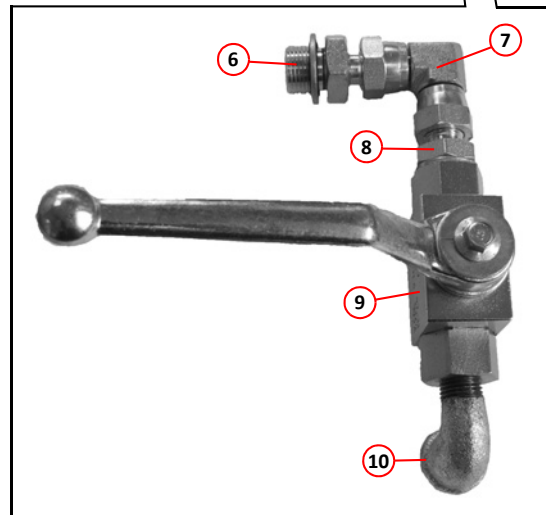
AUTOMATIC HOSE REEL & LANCE ASSEMBLY

Item	Part Number	Quantity	Description
High Pressure Water Pump 42 LPM - Arrangement			
1	020308	1	. Pump, high-pressure, 42 litres/minute Page 104
NI	020311	1	. . Coupling half, 1 bore
NI	020309	1	. . Coupling half, 35 bore
NI	020312	1	. . Sleeve, coupling
2	020643	1	. . . Guard, coupling
3	013527	1	. . Motor, hydraulic, OMP50 Page 98
4	011167	2	. . . Adaptor, $\frac{1}{2}$ " BSP x $\frac{3}{8}$ " BSP
NI	011154	1 Seal, Dowty, $\frac{1}{2}$ " BSP
5	011172	2	. . . Elbow, swivel, M/F, $\frac{3}{8}$ " BSP
NI	020347	1	. . . Mounting bracket, motor
6	011199	1	. . Adaptor, $\frac{3}{8}$ " BSP x $\frac{1}{4}$ " BSP
NI	011153	1	. . . Seal, Dowty, $\frac{3}{8}$ " BSP
7	011169	1 Elbow, swivel, F/F, $\frac{1}{4}$ " BSP
8	011158	1 Adaptor, M/M, $\frac{1}{4}$ " BSP x $\frac{1}{4}$ " BSP
NI	011152	1 Seal, Dowty, $\frac{1}{4}$ " BSP
9	011257	1 Valve, ball, pump high-pressure drain, $\frac{1}{4}$ " BSP
10	010910	1 Elbow, galvanised, M/F, $\frac{1}{4}$ " BSP
11	022739	1	. . Valve, unloader, ($\frac{1}{2}$ " BSP ports)
12	010914	1	. . . Adaptor, reducing, $\frac{1}{2}$ " BSP x $\frac{3}{8}$ " BSP
13	010942	1 Elbow, galvanised, M/F, $\frac{1}{2}$ " BSP
14	010930	1 Hose tail, $\frac{3}{8}$ " BSP x $\frac{5}{8}$ " BSP
15	011160	3	. . . Adaptor, M/M, $\frac{1}{2}$ " BSP x $\frac{1}{2}$ " BSP
NI	011154	3 Seal, Dowty, $\frac{1}{2}$ " BSP
16	011178	1 Adaptor, F/F, $\frac{1}{2}$ " BSP
17	011173	1	. . . Elbow, swivel, F/F, $\frac{1}{2}$ " BSP
18	003006	1	. . Adaptor, galvanised, M/F, $\frac{3}{4}$ " BSP x $\frac{1}{4}$ " BSP
	011155	1	. . . Seal, Dowty, $\frac{3}{4}$ " BSP
19	010944	1 Adaptor, galvanised, M/M, $\frac{1}{4}$ " BSP
20	011743	1 Valve, ball, pump low pressure drain, $\frac{1}{4}$ " BSP
21	010910	2 Elbow, galvanised, M/F, $\frac{1}{4}$ " BSP

11 12 13 14 15



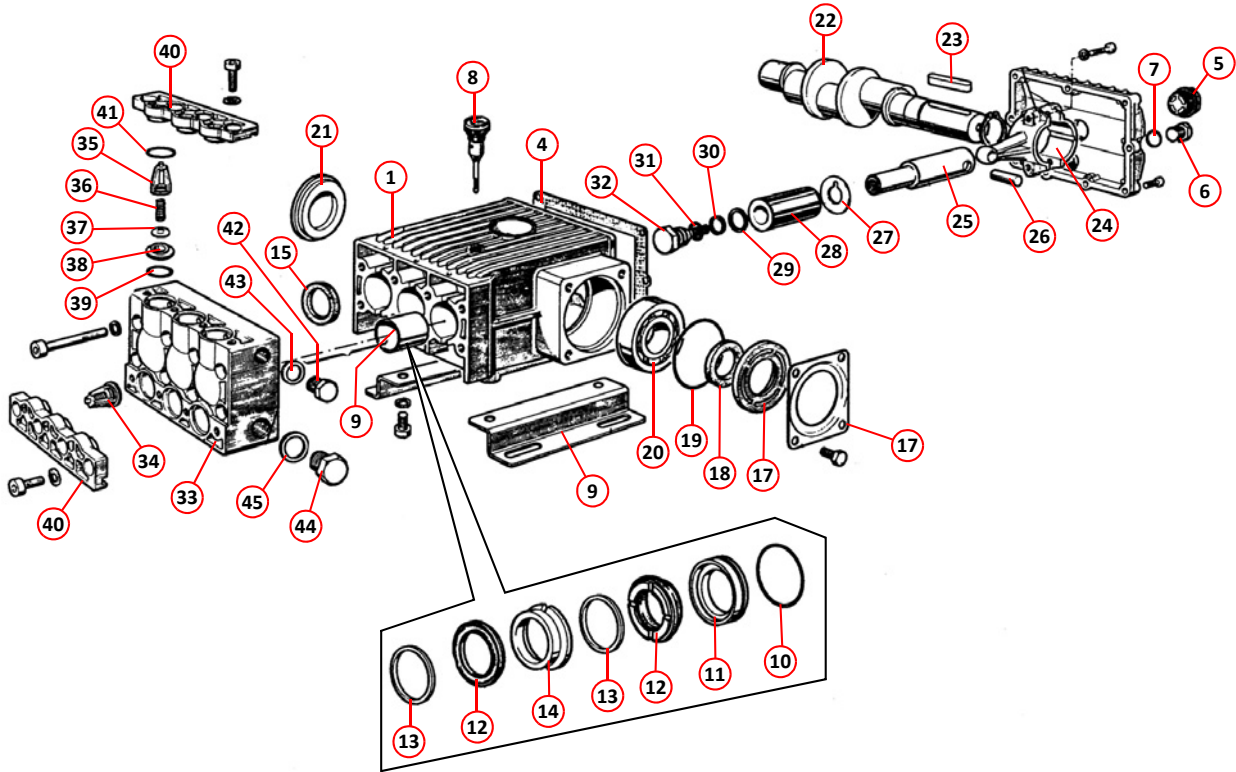
LOW PRESSURE DRAIN VALVE



HIGH PRESSURE DRAIN VALVE

HIGH PRESSURE WATER PUMP 42 LPM - ARRANGEMENT

<i>Item</i>	<i>Part Number</i>	<i>Quantity</i>	<i>Description</i>
High Pressure Water Pump 42 LPM - Components			
1	022110	1	Crankcase
2	022136	2	. Foot
	022139	4	. . Bolt
	022138	4	. . Washer
3	022119	1	. Rear cover
	022126	9	. . Bolt
4	022112	1	. . Gasket, rear cover
5	022124	1	. . Oil sight glass
6	022125	1	. . Cap
7	022123	1	. . . O-Ring
8	022111	1	. Dipstick
9	022137	3	. Cylinder guide
10	022144	3	. O-Ring
11	022145	3	. Oil seal
12	022146	6	. Oil seal
13	022147	6	. Oil seal
14	022148	3	. Collar
15	022109	3	. Oil seal
16	022131	2	. Crankcase cover, bearing assembly
	022130	8	. . Bolt
17	022132	1	. Spacer
18	022133	1	. Seal
19	022134	2	. O-Ring
20	022135	2	. Bearing
21	022151	1	. Spacer
22	022118	1	. Crankshaft
23	022149	1	. . Key
	022150	1	. . Circlip
24	022120	3	. . Connecting rod
25	022128	3	. . . Piston guide
26	022127	3 Pin
27	022129	3 Washer
28	022117	3 Piston
29	022116	3 Washer
30	022115	3 Washer
31	022114	3 O-Ring
32	022113	3 Piston bolt
33	022143	1	. Head
	022098	8	. . Bolt, M10 x 80mm
	022099	8	. . Washer
34	022105	6	. . Valve, complete
35	022104	6	. . . Valve
36	022103	6	. . . Spring
37	022102	6	. . . Valve ring
38	022101	6	. . . Valve seat
39	022100	6	. . . O-Ring
40	022107	2	. . Cover
	022108	4	. . . Bolt
	022099	4	. . . Washer
41	022106	6	. . . O-Ring
42	022125	2	. . Cap
43	022142	1	. . . Washer
44	022140	1	. . Plug
45	022141	1	. . . Washer



HIGH PRESSURE WATER PUMP 42 LPM - COMPONENTS

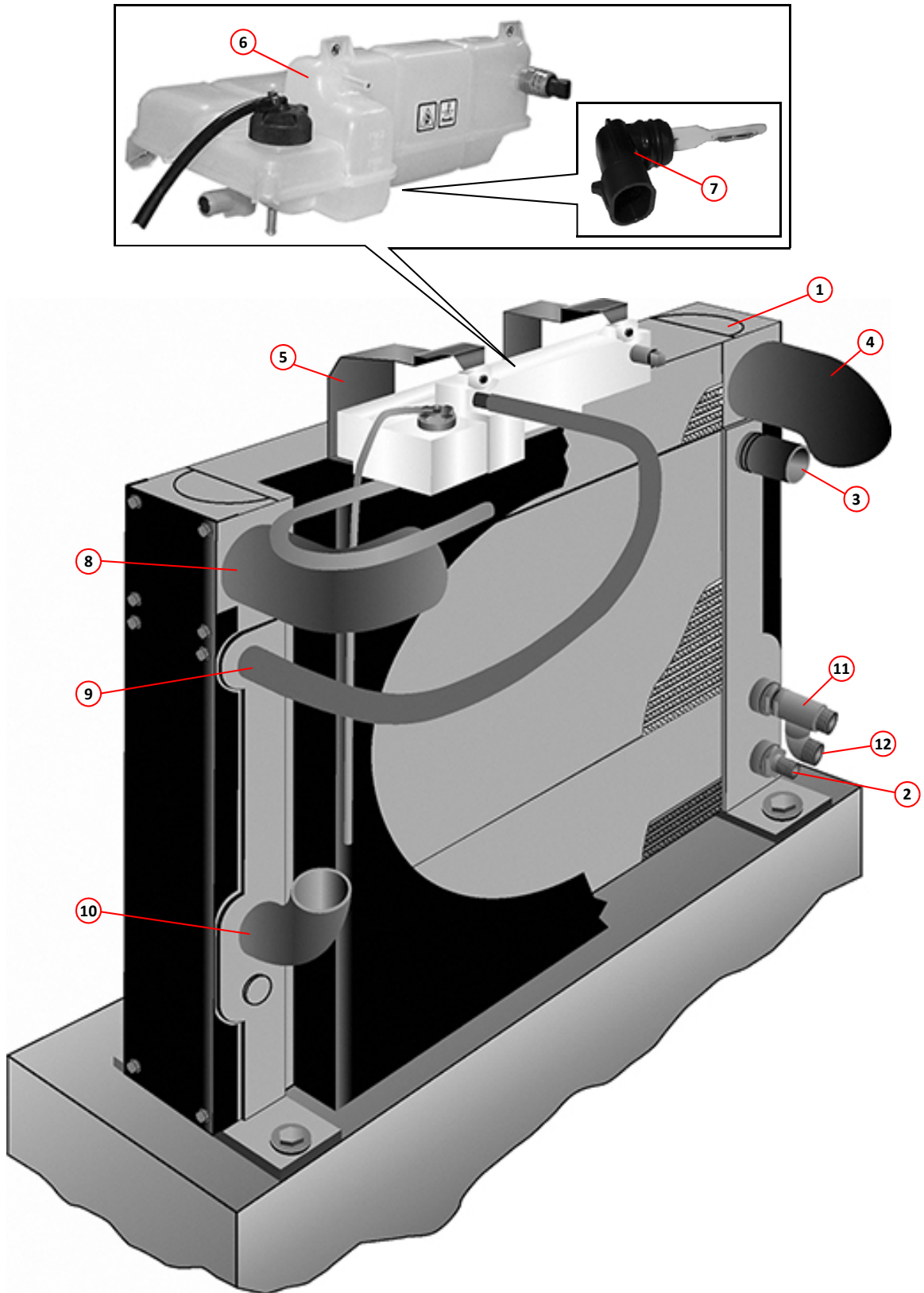
<i>Item</i>	<i>Part Number</i>	<i>Quantity</i>	<i>Description</i>
High Pressure Water Pump 42 LPM - Seal Kits			
NI	022152	1	. Kit No 32 , Comprising 2 x Item 18
NI	022153	1	. Kit No 37 , Comprising 3 x Item 15
NI	022154	1	. Kit No 38 , Comprising 3 x Item 12
NI	022155	1	. Kit No 39 , Comprising 1 x Items 10, 11, 12, 13 & 14
NI	022156	1	. Kit No 40 , Comprising 3 x Items 10 & 11
NI	022157	1	. Kit No 41 , Comprising 6 x Item 13
NI	022158	1	. Kit No 42 , Comprising 6 x Item 14
NI	022159	1	. Kit No 62 , Comprising 6 x Items 35, 36, 37, 38 & 39
NI	022160	1	. Kit No 74 , Comprising 3 x Items 29, 30, 31 & 32

HYDRAULIC SYSTEM SECTION F

TABLE OF CONTENTS

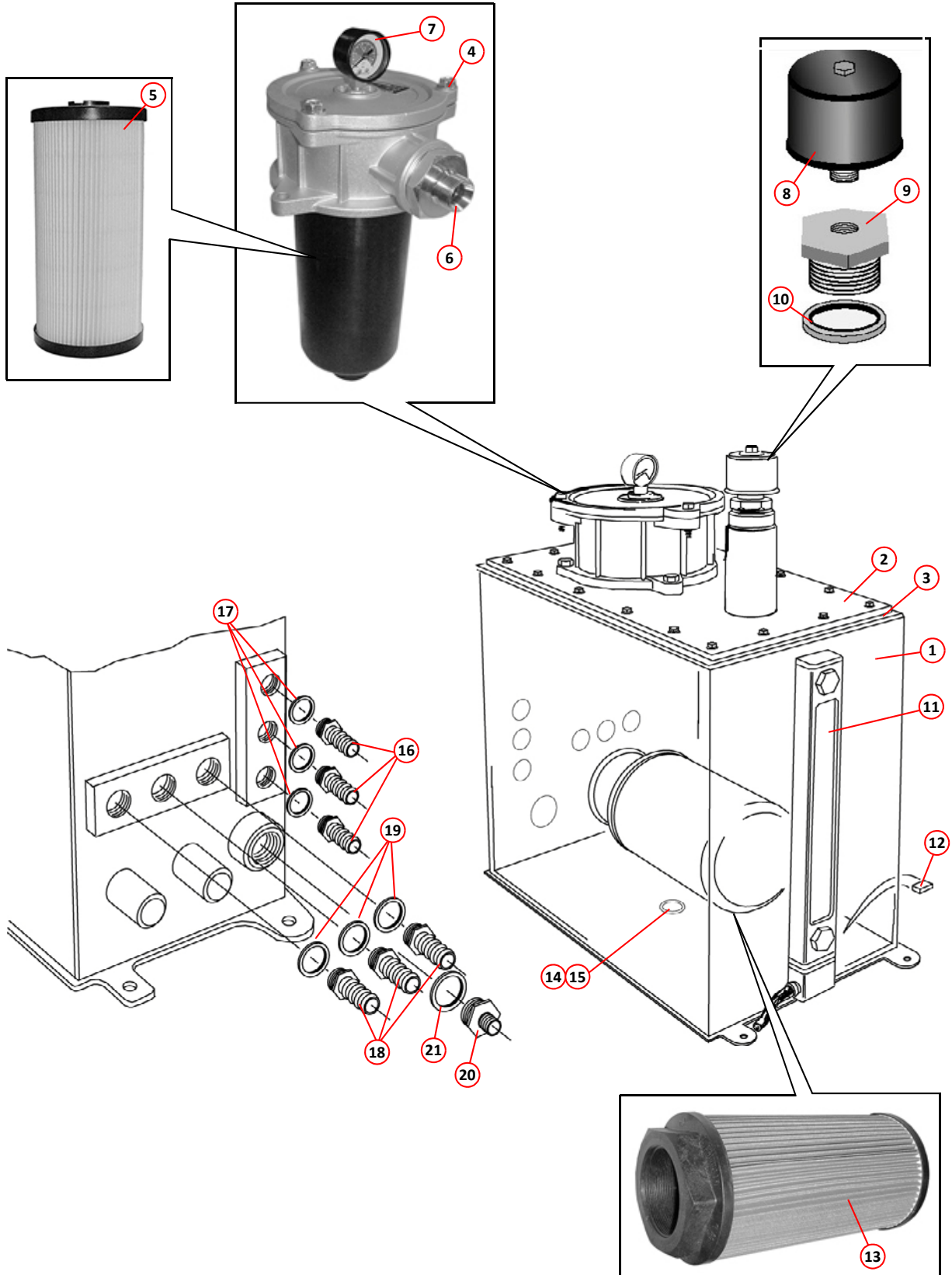
<i>Assembly/Description</i>	<i>Page</i>
Combined Radiator/Oil Cooler	84
Hydraulic Oil Tank Arrangement	86
Valve Block - Main Control	88
Suction Nozzle Tilt and Sweep Wash Valves	90
Fan Circuit Relief and Dump Valves	92
Hopper Control Valve Block	94
Suction Fan Pump and Gear Pump Arrangement	96
Suction Fan Motor Assembly	96
Hydraulic Motor, OMP50 - High Pressure Water Pump 42 LPM	98
Hydraulic Motor, OMP100 - Wide Sweep	98
Hydraulic Motor, OMP200 - Side Brush	98
Hopper Lift Ram Assembly	100
Rear Door Open/Close Ram Assembly	100
Side Brush Lift Ram Assembly	100
Suction Nozzle Tilt Ram Assembly	100
Auxiliary Hand Pump	102
Filter High-Pressure	102
Hydraulic Circuit - Hopper, Rear Door and HP Pump	104
Hydraulic Pipes Schematic - Brushes, Nozzle Tilt and Suction Fan	106
Clamps for Steel Piping	108

<i>Item</i>	<i>Part Number</i>	<i>Quantity</i>	<i>Description</i>
Combined Radiator/Oil Cooler			
1	033711	1	. Combined radiator/oil cooler matrix Page 14
	000110	4	. . Bolt, M12 x 80mm
	012969	8	. . Washer, rubber
	013448	4	. . Washer
	011077	4	. . Nut, M12, Nyloc
2	011235	1	. . Hose Tail, $\frac{1}{2}$ " BSP x 16mm hose
NI	002074	2	. . . Adaptor, 26mm x $\frac{1}{2}$ " BSP
NI	002082	2 Seal, Dowty 26mm
3	033593	1	. . Hose, rubber (moulded)
	003007	1	. . . Clamp, worm-drive, 35-50mm
4	033590	1	. . Hose, rubber (moulded)
	005112	2	. . . Clamp, worm-drive, 60-80mm
5	040605	2	. . Bracket, expansion tank
	039932	4	. . . Fastener, anti-vibration, M8
	011012	4 Setscrew, high tensile, M8 x 30mm
6	034954	1	. Expansion tank Page 14
7	037226	1	. . Fluid level sensor, located in bottom of expansion tank Page 124
8	033591	1	. . Hose, rubber (moulded)
	005112	2	. . . Clamp, worm-drive, 60-80mm
9	010516	AR	. . Hose, rubber, 8mm
NI	010922	1	. . Hose Tail, $\frac{1}{4}$ " BSP x $\frac{3}{8}$ " hose
	010517	2	. . . Clamp, worm-drive, 11-16mm
10	033592	1	. . Hose, rubber (moulded)
	012927	1	. . . Clamp, worm-drive, 40-55mm
11	011182	1	. . Tee, F/M/M, $\frac{1}{2}$ " BSP
12	011173	1	. . . Elbow, M/F, $\frac{1}{2}$ " BSP



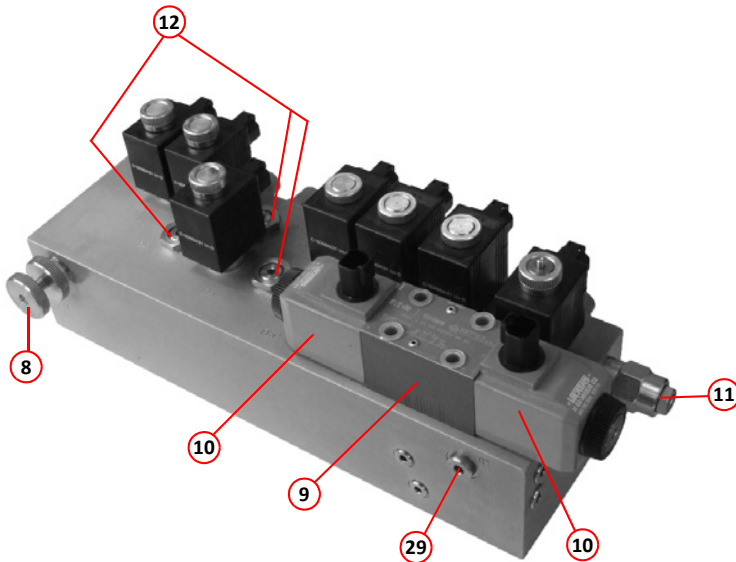
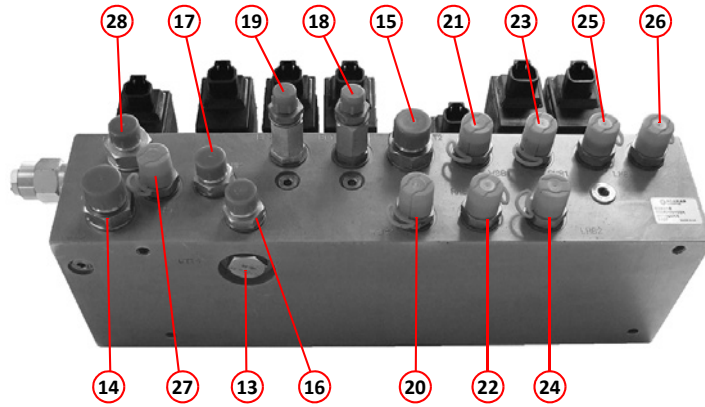
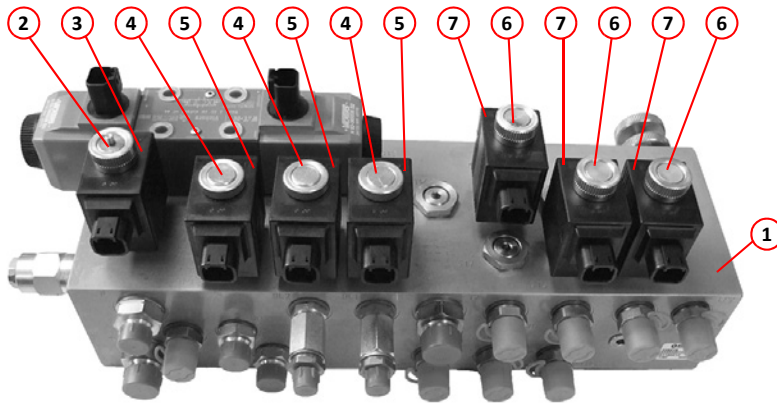
COMBINED RADIATOR/OIL COOLER

Item	Part Number	Quantity	Description
Hydraulic Oil Tank Arrangement			
1	034328	1	. Tank, hydraulic oil Page 22, 104
	011031	4	. . Setscrew, M10 x 30mm
	011075	4	. . Nut, M10, Nyloc
2	034329	1	. . Lid, oil tank
3	034602	1	. . . Gasket, oil tank lid
	011067	18 Setscrew, M6 x 20mm
	000339	18 Washer, shake-proof, M6
4	013123	1	. . Filter, return Page 92
NI	024405	1	. . . Seal kit, return filter
5	013125	1	. . . Element, return filter
	011032	3 Setscrew, M10 x 30mm
	011075	3 Nut, M10, Nyloc
6	011184	1	. . . Adaptor, M/M, $1\frac{1}{4}$ " BSP x $\frac{3}{4}$ " BSP
NI	011150	1 Seal, Dowty, $1\frac{1}{4}$ " BSP
NI	011174	1	. . . Elbow, swivel, 90° x $\frac{3}{4}$ " BSP
7	021719	1	. . . Gauge, pressure, return filter
8	020688	1	. . Oil filler/breather
9	020689	1	. . . Plug, filler/breather, 1" BSP
10	011156	1 Seal, Dowty, 1" BSP
11	024039	1	. . Gauge, fluid level, complete with fixing screws
NI	021979	2	. . . Washer, sealing, rubber
12	010305	1	. . Magnet
13	020687	1	. . Element, suction filter
14	011244	1	. . . Plug, $\frac{3}{4}$ " BSP
15	011155	1 Seal, Dowty, $\frac{3}{4}$ " BSP
16	010923	3	. . Hose tail, $\frac{3}{8}$ " BSP x $\frac{3}{8}$ " hose
17	011153	3	. . . Seal, Dowty, $\frac{3}{8}$ " BSP
18	002159	3	. . Hose tail, $\frac{1}{2}$ " BSP x $\frac{5}{8}$ " hose
19	011154	3	. . . Seal, Dowty, $\frac{1}{2}$ " BSP
20	011164	1	. . Adaptor, M/M, $\frac{3}{4}$ " BSP x $\frac{1}{4}$ " BSP
21	011155	1	. . . Seal, Dowty, $\frac{1}{2}$ " BSP



HYDRAULIC OIL TANK ARRANGEMENT

Item	Part Number	Quantity	Description
Valve Block - Main Control			
1	038218	1	. Valve block - main control Page 104
2	034969	1	. . Solenoid valve, S501N-3-B5G
3	038987	1	. . . Coil, 24V DC, C16DM24/21
NI	034971	1 Seal kit, SK1028
4	034979	3	. . Solenoid valve, S502N
5	038987	3	. . . Coil, 24V DC, C16DM24/21
NI	034971	3 Seal kit, SK1028
6	034976	3	. . Solenoid valve, S501N
7	038987	3	. . . Coil, 24V DC, C16DM24/21
NI	034971	3 Seal kit, SK1028
8	034974	1	. . Hand wheel adjuster, AXP 3945-30
NI	031975	1	. . . Seal kit, SK118
9	038232	1	. . Directional control valve, DG4V-3-2C-VM-KUP 5D 2-H7-60
10	038233	2	. . . Coil, 24V DC, 02-365538
11	034967	1	. . Relief valve, 1DR30-P-20S
NI	034968	1	. . . Seal kit, SK243
12	034977	3	. . Check cartridge, 3CA80-3.5S
NI	034978	3	. . . Seal kit, SK226
13	034980	1	. . Check cartridge, 3CA20-0.5S
NI	034981	1	. . . Seal kit, SK396
14	002174	1	. . Adaptor, M20 x 1.5 x $\frac{1}{2}$ " BSP (Port T1)
NI	011267	1	. . . Seal, Dowty, M20
NI	011235	1	. . . Hose tail, $\frac{1}{2}$ " BSP x $\frac{5}{8}$ " hose
15	002174	1	. . Adaptor, M20 x 1.5 x $\frac{1}{2}$ " BSP (Port T2)
NI	011267	1	. . . Seal, Dowty, M20
16	011186	1	. . Adaptor, M16 x 1.5 x $\frac{3}{8}$ " BSP (Port HL)
NI	011217	1	. . . Seal, Dowty, M16
17	011186	1	. . Adaptor, M16 x 1.5 x $\frac{3}{8}$ " BSP (Port HP)
NI	011217	1	. . . Seal, Dowty, M16
18	002176	1	. . Adaptor, fixed, M/F, M16 x 1.5 x $\frac{1}{4}$ " BSP (Port BL1)
NI	011217	1	. . . Seal, Dowty, M16
NI	020902	1	. . . Stud, male, $\frac{1}{4}$ " BSP x 6mm pipe
19	002176	1	. . Adaptor, fixed, M/F, M16 x 1.5 x $\frac{1}{4}$ " BSP (Port BL2)
NI	011217	1	. . . Seal, Dowty, M16
NI	020902	1	. . . Stud, male, $\frac{1}{4}$ " BSP x 6mm
20	002175	1	. . Stud, male, M16 x 1.5 x 12mm pipe (Port WSB2)
NI	011217	1	. . . Seal, Dowty, M16
21	002175	1	. . Stud, male, M16 x 1.5 x 12mm (Port WSB1)
NI	011217	1	. . . Seal, Dowty, M16
22	002175	1	. . Stud, male, M16 x 1.5 x 12mm pipe (Port RHB2)
NI	011217	1	. . . Seal, Dowty, M16
23	002175	1	. . Stud, male, M16 x 1.5 x 12mm pipe (Port RHB1)
NI	011217	1	. . . Seal, Dowty, M16
24	002175	1	. . Stud, male, M16 x 1.5 x 12mm pipe (Port LHB2)
NI	011217	1	. . . Seal, Dowty, M16
25	002175	1	. . Stud, male, M16 x 1.5 x 12mm pipe (Port LHB1)
NI	011217	1	. . . Seal, Dowty, M16
26	002175	1	. . Stud, male, M16 x 1.5 x 12mm pipe (Port LP2)
NI	011217	1	. . . Seal, Dowty, M16
27	002175	1	. . Stud, male, M16 x 1.5 x 12mm pipe (Port LP1)
NI	011217	1	. . . Seal, Dowty, M16
28	011266	1	. . Adaptor, M20 x 1.5 x $\frac{3}{8}$ " BSP (Port P)
NI	011267	8	. . . Seal, Dowty, M20
29	035350	1	. . Port plug, M12 x 1.5 (Port TP)

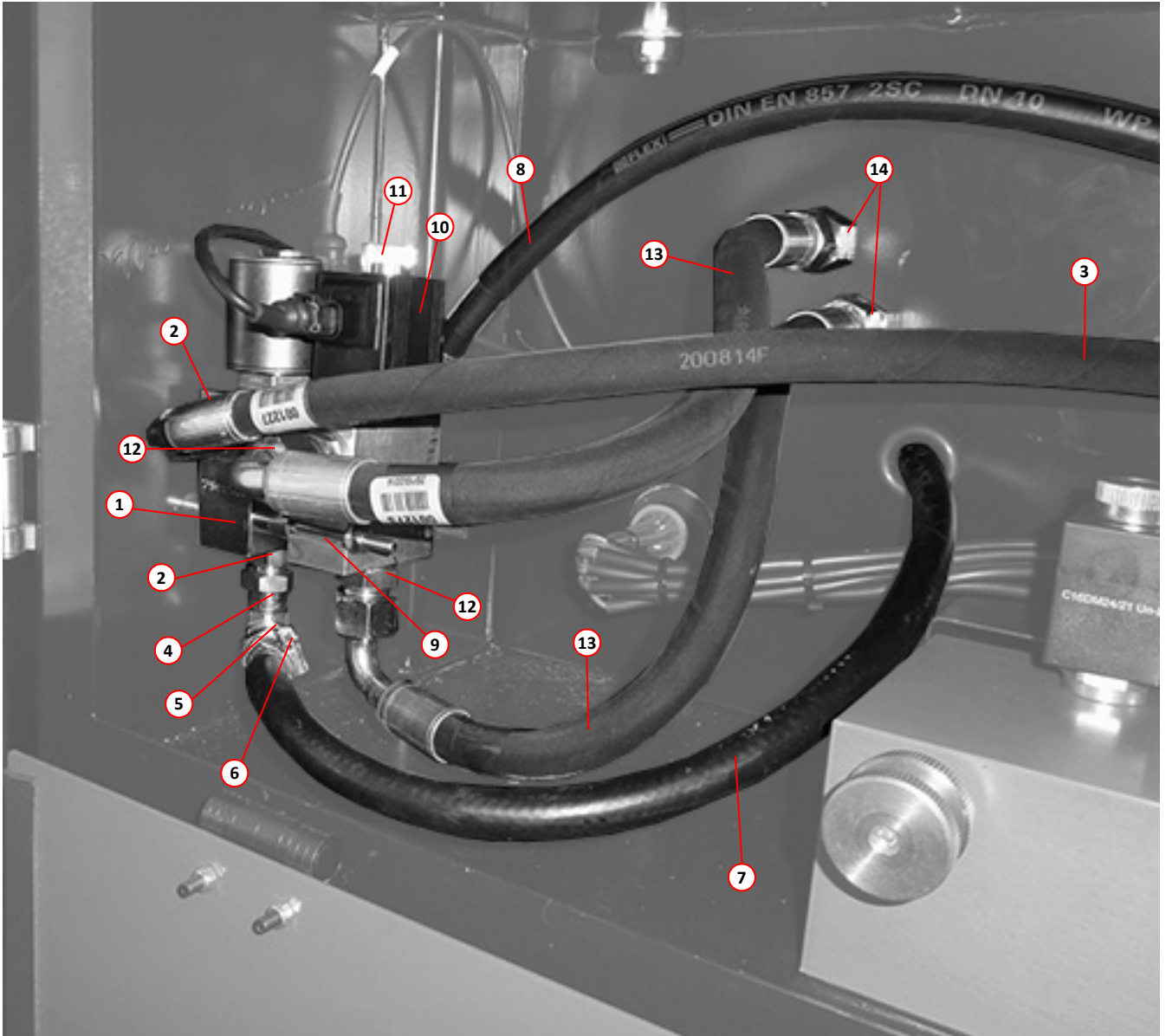


MAIN CONTROL VALVE BLOCK

Item	Part Number	Quantity	Description
Suction Nozzle Tilt and Sweep Wash Valves *			
1	041953	1	Suction nozzle tilt control valve Page 106
2	011159	3	Adaptor, M/M, $\frac{3}{8}$ " BSP
	011153	3	Dowty seal, $\frac{3}{8}$ " BSP
3	001227	1	Hose $\frac{3}{8}$ " x 680mm BSP (straight/90°) ends
NI	011172	1	Swivel elbow, $\frac{3}{8}$ " BSP
NI	02008	1	Bulkhead adaptor, $\frac{3}{8}$ " BSP
4	011172	1	Elbow, M/M, $\frac{3}{8}$ " BSP
5	010923	1	Adaptor, $\frac{3}{8}$ " BSP x $\frac{3}{8}$ " hosetail
6	010517	1	Hose clamp, worm drive, 18-25mm
7	010958	AR	Hose $\frac{3}{8}$ " bore
8	001227	1	Hose $\frac{3}{8}$ " x 680mm BSP (straight/90°) ends
NI	011172	1	Swivel elbow, $\frac{3}{8}$ " BSP
NI	02008	1	Bulkhead adaptor, $\frac{3}{8}$ " BSP
9	038231	1	Sweep wash control valve
10	036921	1	Coil,
11	034969	1	Cartridge,
12	011160	2	Adaptor, M/M, $\frac{1}{2}$ " BSP
	011154	2	Dowty seal, $\frac{1}{2}$ " BSP
13	001273	2	Hose, $\frac{1}{2}$ " x 410mm BSP (straight/90°) ends
14	011268	2	Bulkhead adaptor, $\frac{1}{2}$ " BSP

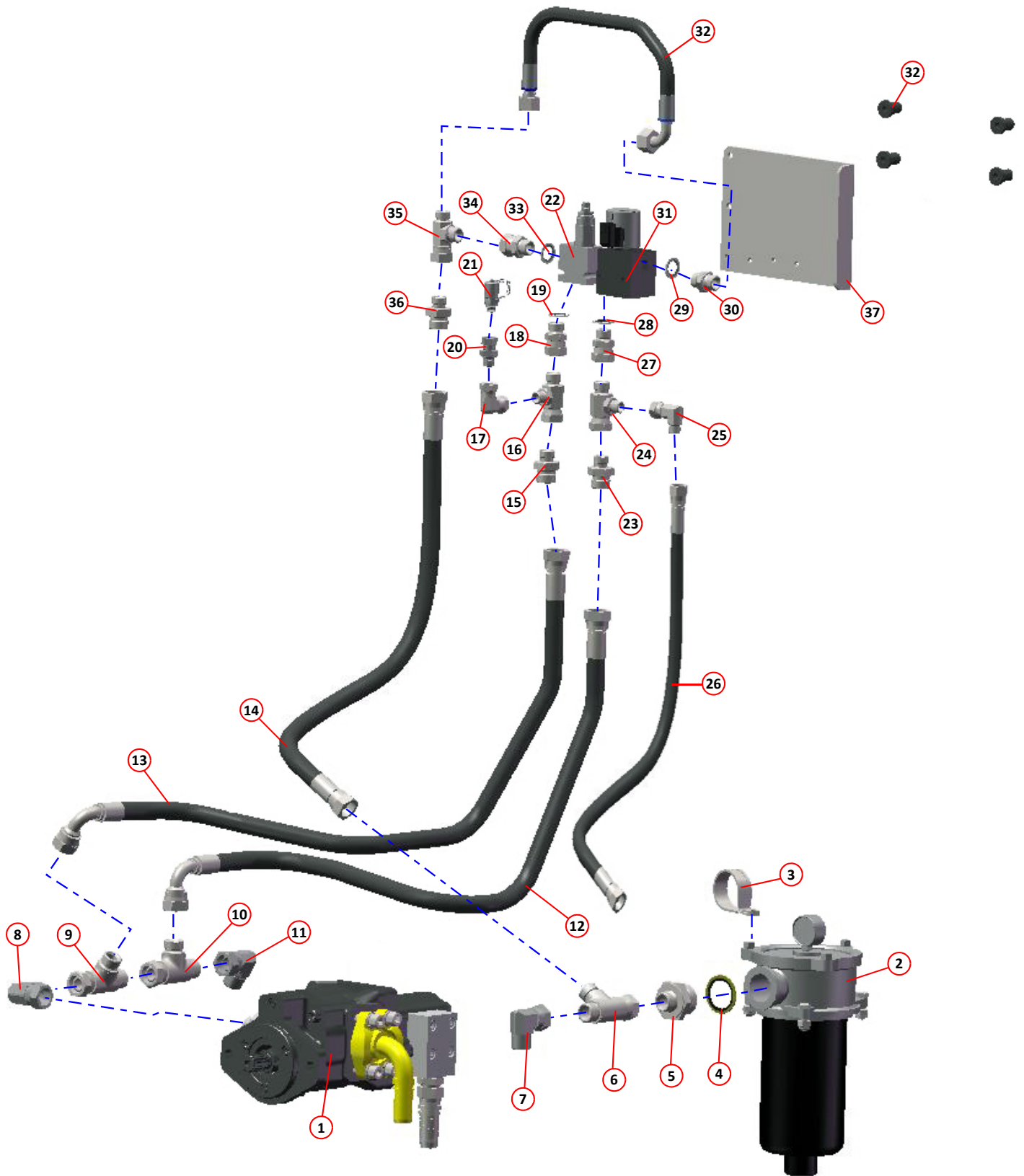
Notes:-

* Sweep wash is an optional system.



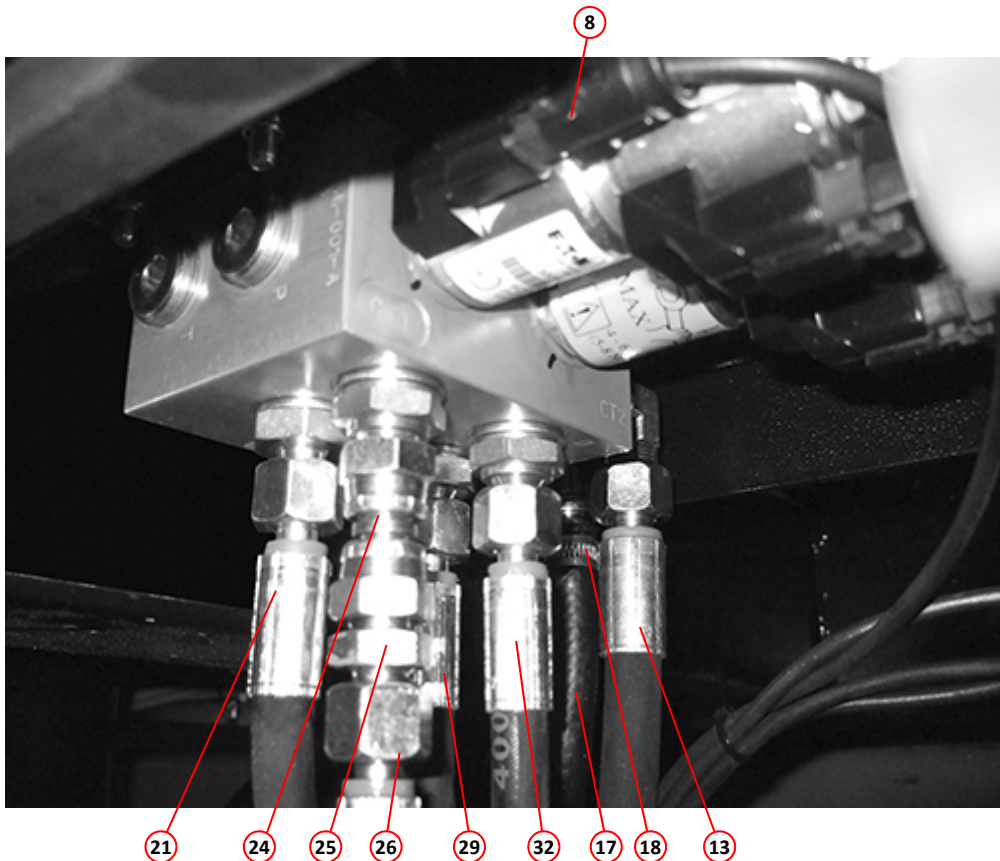
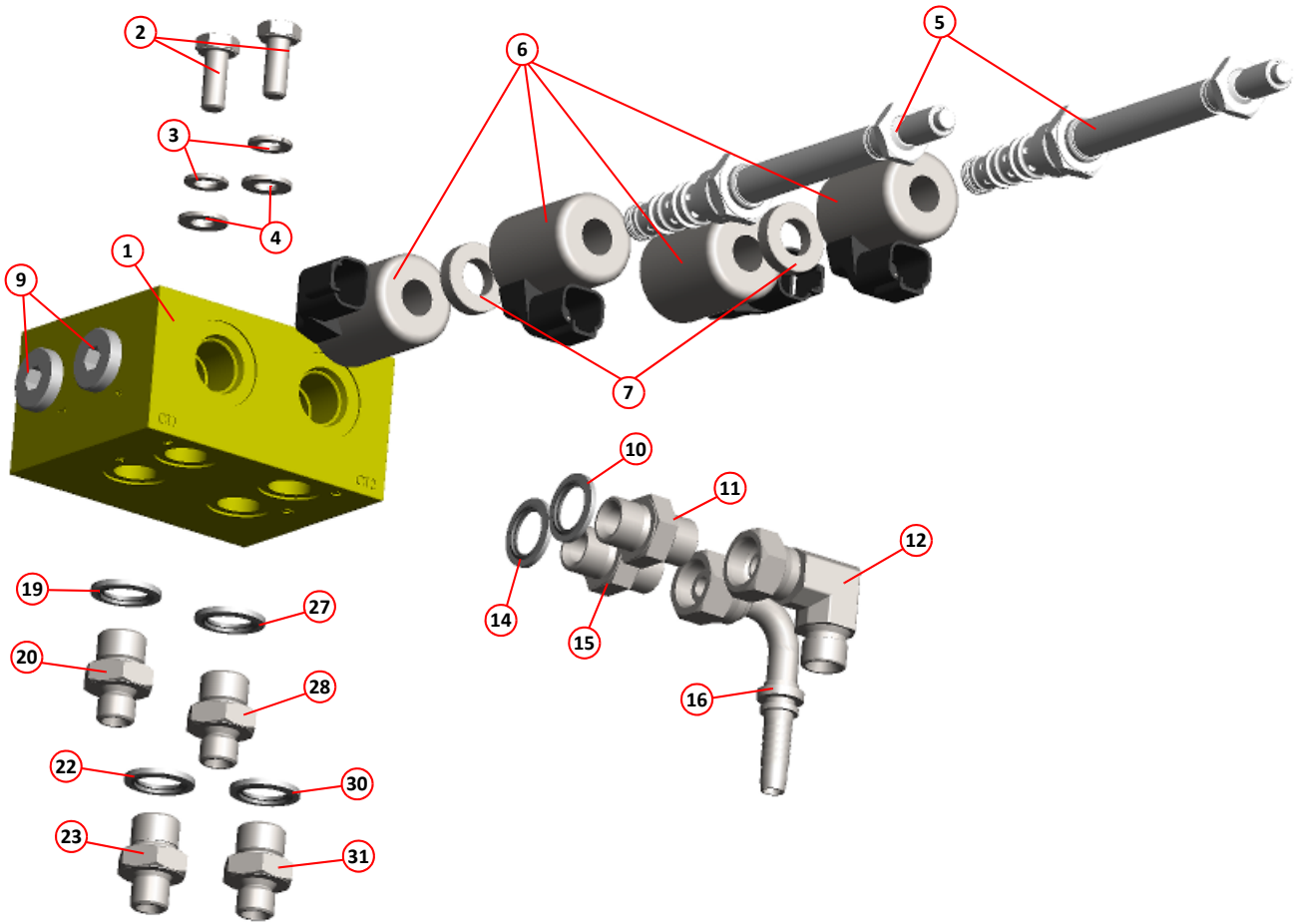
SUCTION NOZZLE TILT AND SWEEP WASH VALVES

Item	Part Number	Quantity	Description
Fan Circuit Relief and Dump Valves			
1	042187	1	Gear and suction pump (FD) assembly Page 96
2	013123	1	Return filter Page 86
3	005055	1	Pipe clip, Ø50mm
4	011150	1	Dowty seal, 1 ¹ / ₄ " BSP
5	011184	1	Adaptor, M/M, 1 ¹ / ₄ x 3 ³ / ₄ " BSP
6	011197	1	T-junction, nut on run, 3 ³ / ₄ " BSP
7	011174	1	Swivel elbow, 3 ³ / ₄ " BSP
8	011174	1	Swivel elbow, 3 ³ / ₄ " BSP
9	011197	1	T-junction, nut on run, 3 ³ / ₄ " BSP
10	011197	1	T-junction, nut on run, 3 ³ / ₄ " BSP
11	011174	1	Swivel elbow, 3 ³ / ₄ " BSP
12	001126	1	Hose, 5 ⁵ / ₈ " x 800mm, 3 ³ / ₄ " BSP (straight/90°) ends
13	001280	1	Hose, 5 ⁵ / ₈ " x 960mm, 3 ³ / ₄ " BSP (straight/90°) ends
14	001049	1	Hose, 5 ⁵ / ₈ " x 800mm, 3 ³ / ₄ " BSP (straight/90°) ends
15	011166	1	Adaptor, M/M, 3 ³ / ₄ x 1 ¹ / ₂ " BSP
16	002110	1	T-junction, M/F/M, 1 ¹ / ₂ " BSP x 1 ¹ / ₂ " BSP x 3 ³ / ₈ " BSP, reducer on branch
17	011205	1	Swivel elbow, F/F, 3 ³ / ₈ " BSP
18	011177	1	Adaptor, M/F, 1 ¹ / ₂ " BSP
19	011154	1	Dowty seal, 1 ¹ / ₂ " BSP
20	002215	1	Swivel adaptor, M/F, 3 ³ / ₈ " BSP x 1 ¹ / ₄ " BSP
21	013036	1	Test point, 1 ¹ / ₄ " BSP
22	041951	1	Relief valve, fan Circuit
NI	000011	2	Bolt, M6 x 60
NI	011090	4	Washer, M6
NI	011071	2	Nut, N6, Nyloc
23	011166	1	Adaptor, M/M, 3 ³ / ₄ x 1 ¹ / ₂ " BSP
24	002110	1	T-junction, M/F/M, 1 ¹ / ₂ " BSP x 1 ¹ / ₂ " BSP x 3 ³ / ₈ " BSP, reducer on branch
25	011172	1	Swivel elbow, 3 ³ / ₈ " BSP
26	001009	1	Hose, 3 ³ / ₈ " x 2200mm, 3 ³ / ₈ " BSP straight ends (to suction nozzle tilt valve)
27	011177	1	Adaptor, M/F, 1 ¹ / ₂ " BSP
28	011154	1	Dowty seal, 1 ¹ / ₂ " BSP
29	011154	1	Dowty seal, 1 ¹ / ₂ " BSP
30	011160	1	Adaptor, M/M, 1 ¹ / ₂ " BSP
31	041952	1	Dump valve, fan circuit
NI	000011	2	Bolt, M6 x 60
NI	011090	4	Washer, M6
NI	011071	2	Nut, N6, Nyloc
32	001075	1	Hose, 1 ¹ / ₂ " x 500mm, 1 ¹ / ₂ " BSP (straight/90°) ends
33	011154	1	Dowty seal, 1 ¹ / ₂ " BSP
34	011177	1	Adaptor, M/F, 1 ¹ / ₂ " BSP
35	011182	1	T-junction, nut on run, 1 ¹ / ₂ " BSP
36	011166	1	Adaptor, M/M, 3 ³ / ₄ x 1 ¹ / ₂ " BSP
37	042491	1	Fan circuit valves mounting bracket
38	039932	4	Flex-Loc ant-vibration faster, M8
NI	011092	4	Washer, M8
NI	011012	4	Bolt, M8 x 30



FAN CIRCUIT RELIEF AND DUMP VALVES

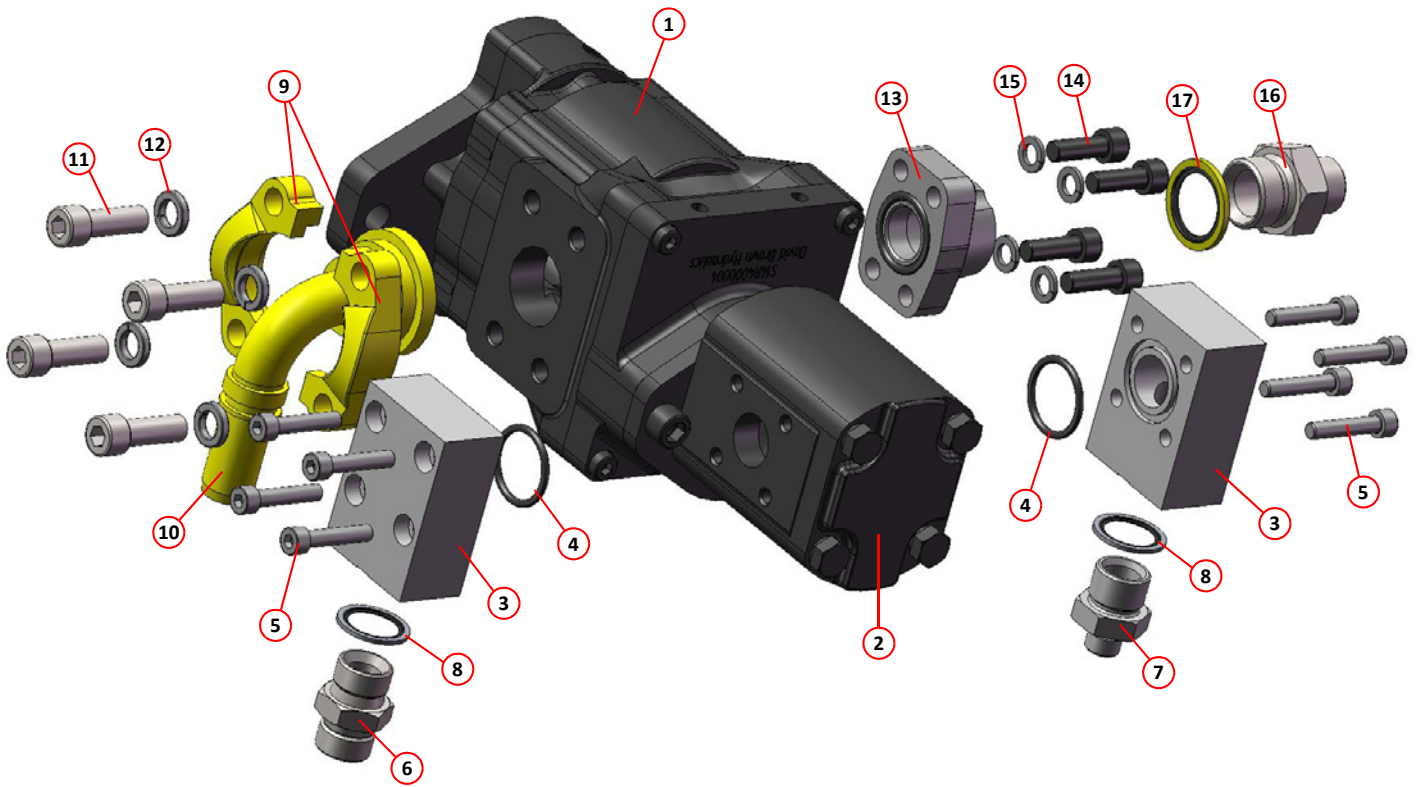
Item	Part Number	Quantity	Description
Hopper Control Valve Block			
1	039703	1	Hopper controls valve block Page 104
2	000136	2	Screw, socket cap, M8 x 16mm
2	001193	2	Spring washer, M8
4	001192	2	Plain washer, M8
5	039746	2	Solenoid valve
6	039747	4	24VDC coil with diode
7	039748	2	Coil spacer
8	039705	4	M12 plug with cable and Deutsch DT 2way, 3m Page 124
9	011242	4	Plug, $\frac{3}{8}$ " BSP (other 2 are on face opposite coils/solenoids)
10	011153	1	Seal, Dowty, $\frac{3}{8}$ " BSP
11	011159	1	Adaptor, M/M, $\frac{3}{8}$ " BSP x $\frac{3}{8}$ " BSP
12	002148	1	Elbow, swivel, M/F, $\frac{3}{8}$ " BSP
13	011308	1	Hose, rubber, $\frac{3}{8}$ " BSP x 500mm (PORT P, main valve block/hand pump)
114	011153	1	Seal, Dowty, $\frac{3}{8}$ " BSP
15	011159	1	Adaptor, M/M, $\frac{3}{8}$ " BSP x $\frac{3}{8}$ " BSP
16	002048	1	Elbow, swivel, $\frac{3}{8}$ " BSP x $\frac{3}{8}$ " hose
17	010958	AR	Hose, rubber, $\frac{3}{8}$ " bore (PORT T, to return)
18	010517	1	Clamp, hose, worm drive, 18-25mm
19	011153	1	Seal, Dowty, $\frac{3}{8}$ " BSP
20	011199	1	Adaptor, M/M, $\frac{3}{8}$ " BSP x $\frac{1}{4}$ " BSP
21	011329	1	Hose, $\frac{1}{4}$ " BSP x 1200mm (PORT A, door open)
22	011153	1	Seal, Dowty, $\frac{3}{8}$ " BSP
23	011199	1	Adaptor, M/M, $\frac{3}{8}$ " BSP x $\frac{1}{4}$ " BSP
24	011219	1	Adaptor, swivel, F/F, $\frac{1}{4}$ " BSP
25	040217	1	Restrictor, $\frac{1}{4}$ " x $\frac{3}{8}$ " BSP ($\frac{3}{64}$ " Orange)
26	011329	1	Hose, $\frac{1}{4}$ " BSP x 1200mm (PORT B, door close)
27	011153	1	Seal, Dowty, $\frac{3}{8}$ " BSP
28	011199	1	Adaptor, M/M, $\frac{3}{8}$ " BSP x $\frac{1}{4}$ " BSP
29	001002	1	Hose, $\frac{1}{4}$ " BSP x 3700mm (PORT C, hopper open)
30	011153	1	Seal, Dowty, $\frac{3}{8}$ " BSP
31	011199	1	Adaptor, M/M, $\frac{3}{8}$ " BSP x $\frac{1}{4}$ " BSP
32	001002	1	Hose, $\frac{1}{4}$ " BSP x 3700mm (PORT D, hopper close)



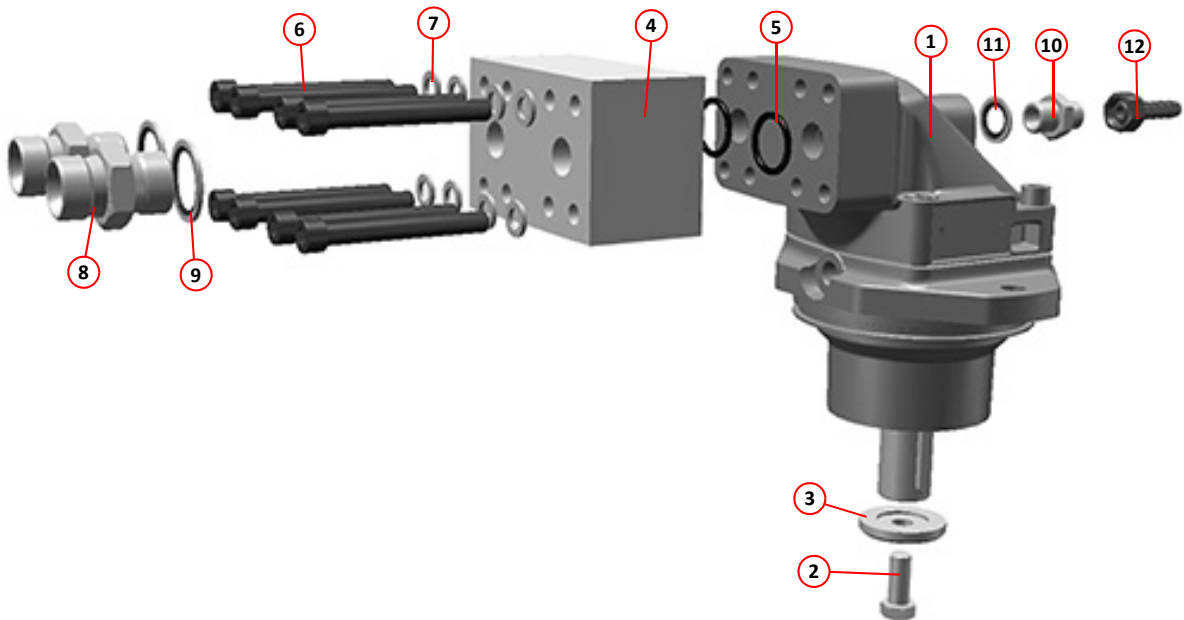
HOPPER CONTROLS VALVE BLOCK

Item	Part Number	Quantity	Description
Suction Fan Pump and Gear Pump Arrangement			
1	042187	1	Suction fan pump and gear pump (FD) assembly, includes item 2Page 92,106
2	034268	1	Gear pump 19.2cc Page 104
3	026335	2	Adaptor block
4	013517	2	O Ring, 1 SAE BS 219 NI
5	000096	8	Socket cap screw, M8 x 40
6	011161	1	Adaptor, M/M, $\frac{3}{4}$ " BSP
7	011224	1	Adaptor, M/M, 1 x $\frac{3}{8}$ " BSP
8	011155	2	Dowty seal, $\frac{3}{4}$ " BSP
9	011230	2	Flange $1\frac{1}{2}$ " SAE split
10	011231	1	Elbow $1\frac{1}{2}$ " SAE x 1" hose
11	011108	4	Socket cap screw, $\frac{1}{2}$ " UNC x $1\frac{1}{2}$ "
12	011046	4	Spring washer $\frac{1}{2}$ " HP
13	014105	1	Flange 1 SAE x 1" BSP
14	011408	4	Socket cap screw, M10 x 30
15	011095	4	Spring washer, M10
16	011193	1	Adaptor, M/M, 1 x $\frac{3}{4}$ " BSP
17	011156	1	Dowty seal, 1" BSP

Item	Part Number	Quantity	Description
Suction Fan Motor Assembly			
1	024641	1	Motor, hydraulic, fan, VOAC F12-030-MF-CH-KPage 32,106
NI	000343	2	. Bolt, socket cap, M14 x 50mm
NI	011127	2	. . Nut, M14, Nyloc
2	011052	1	. Fan mounting bolt, M12 x 30mm
3	024791	1	. . Cap washer VOAC motor
4	035967	1	. Valve block assembly
5	013523	2	. . O-ring, \varnothing 25mm ID
6	000048	8	. . Screw, socket cap head, M10 x 80mm
7	011095	8	. . . Spring washer, M10
8	011151	2	. . Adaptor, M/M, $\frac{3}{4}$ " BSP
9	011155	2	. . . Seal, Dowty, $\frac{3}{4}$ " BSP
10	011248	1	. . Adaptor, M18 x $\frac{3}{8}$ " BSP
11	011247	1	. . . Seal, Dowty, M18
12	010921	1	. . . Hose tail, $\frac{3}{8}$ " BSP nut x $\frac{3}{8}$ " hose



GEAR & SUCTION FAN PUMP ARRANGEMENT



SUCTION FAN MOTOR ASSEMBLY

<i>Item</i>	<i>Part Number</i>	<i>Quantity</i>	<i>Description</i>
Hydraulic Motor, OMP50 - High Pressure Water Pump 42 LPM			
1	013527	1	. Motor, hydraulic, for HP water pump 42 LPM Page 78
	011069	2	. . Setscrew, M12 x 40mm
	011077	2	. . . Nut, M12, Nyloc
2	*	1	. . Seal kit

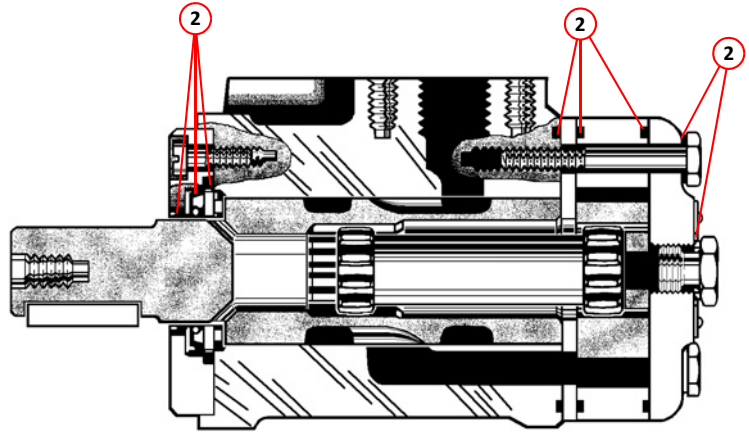
<i>Item</i>	<i>Part Number</i>	<i>Quantity</i>	<i>Description</i>
Hydraulic Motor, OMP100 - Wide Sweep			
1	010566	1	. Motor, hydraulic, for wide sweepPage 46,106
	011053	2	. . Setscrew, M12 x 35mm
	011077	2	. . . Nut, M12, Nyloc
2	*	1	. . Seal kit

<i>Item</i>	<i>Part Number</i>	<i>Quantity</i>	<i>Description</i>
Hydraulic Motor, OMP200 - Side Brush			
1	010749	1	. Motor, hydraulic, for side brushPage 42,106
	011069	2	. . Setscrew, M12 x 40mm
	011077	2	. . . Nut, M12, Nyloc
2	*	1	. . Seal kit

Notes:-
 * Contact Scarab Parts Department before ordering.



OMP50 shown, OMP100 & OMP200 similar



Shows an indication of the location for the seal kit components

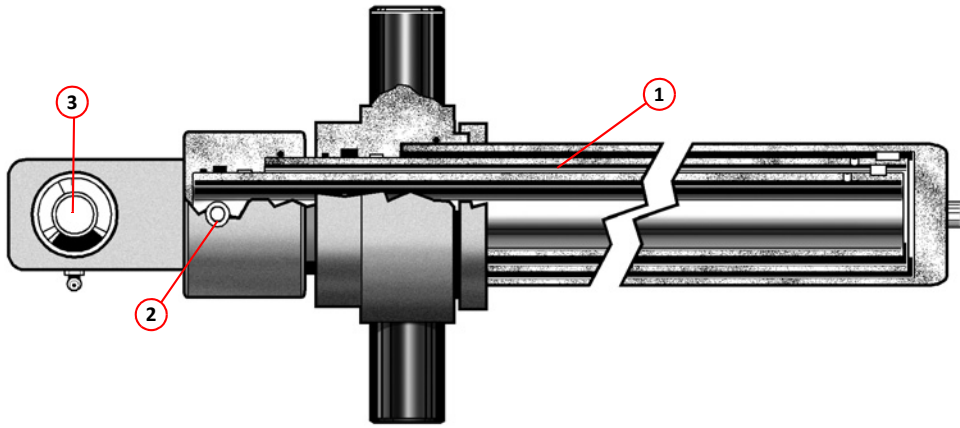
**HYDRAULIC MOTOR - HIGH PRESSURE WATER PUMP
WIDE SWEEP BRUSH
SIDE BRUSH**

Item	Part Number	Quantity	Description
Hopper Lift Ram Assembly			
1	024249	1	. Hydraulic ram, two stage, hopper liftPage 22,104
NI	028178	1	. . Check valve, integrated, ICEB30F
2	002017	4	. . Elbow, banjo $\frac{1}{4}$ " BSP
NI	011152	4	. . . Seal, Dowty, $\frac{1}{4}$ " BSP
3	012881	1	. . Bearing, spherical
NI	027785	1	. . Seal kit, hydraulic ram, two stage, hopper lift

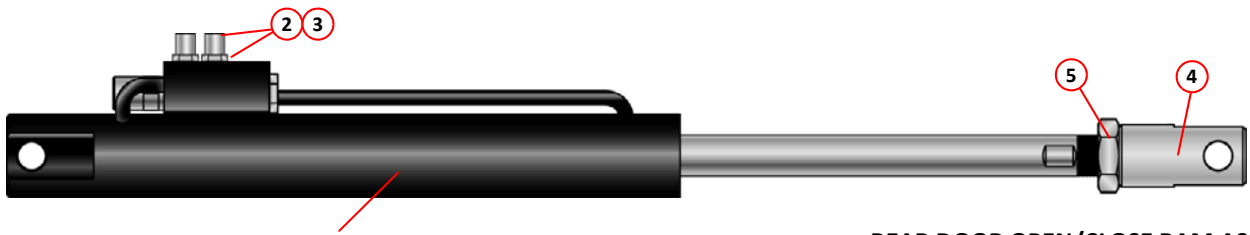
Item	Part Number	Quantity	Description
Rear Door Open/Close Ram Assembly			
1	034816	1	. Hydraulic ram, double acting, with load controlPage 34,104
2	011158	2	. . Adaptor, M/M, $\frac{1}{4}$ " BSP
3	011152	2	. . . Seal, Dowty, $\frac{1}{4}$ " BSP
4	042284	1	. . Clevis, door ram
5	042285	1	. . Clevis nut, door ram

Item	Part Number	Quantity	Description
Side Brush Lift Ram Assembly			
1	024539	1	. Hydraulic ram, side brush liftPage 42,106
2	012539	1	. . Restrictor, No 5 White, M/M, $\frac{1}{4}$ " BSP x $\frac{1}{4}$ " BSP
3	011152	1	. . . Seal, Dowty, $\frac{1}{4}$ " BSP
NI	002016	1	. . Plug, hex socket head, $\frac{1}{4}$ " BSP
4	011629	1	. . Seat kit, hydraulic ram, side brush lift

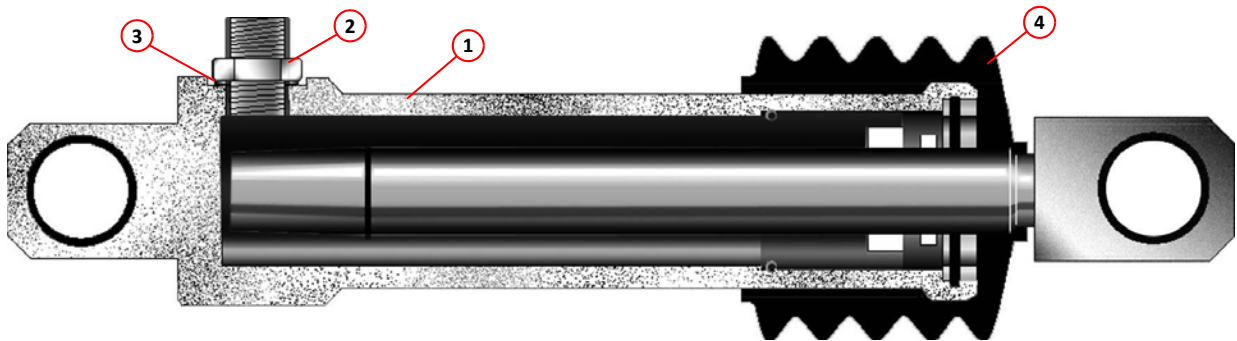
Item	Part Number	Quantity	Description
Suction Nozzle Tilt Ram Assembly			
1	041955	1	Suction nozzle tilt ram assembly, complete Page 50, 106
2	041954	1	Hydraulic ram, suction nozzle tilt
3	027188	1	Restrictor, 0.6mm, $\frac{1}{4}$ " BSP
4	011152	1	Dowty seal, $\frac{1}{4}$ " BSP
5	014475	1	Bellows
6	024682	2	Bush, 25 x 20 x 10mm



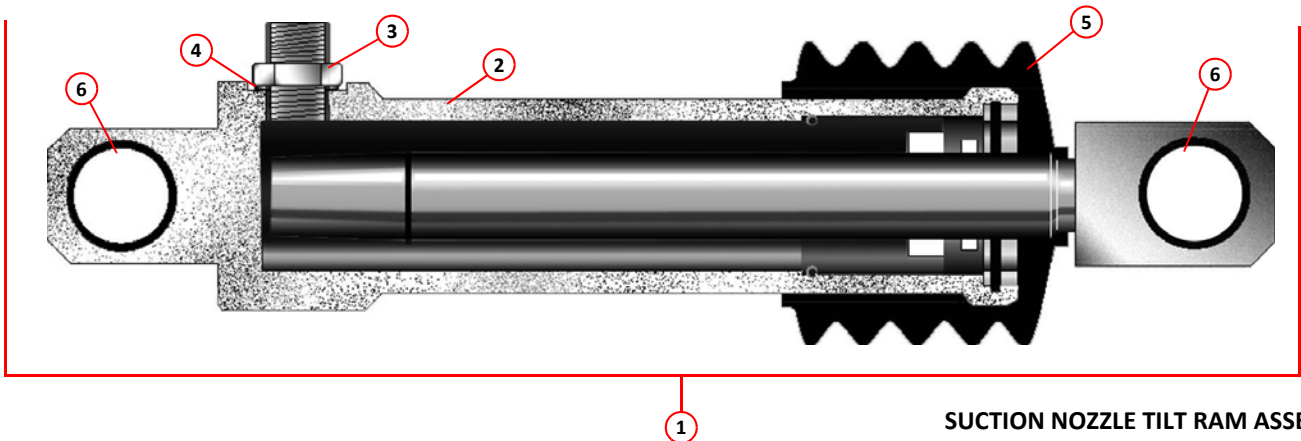
HOPPER LIFT RAM ASSEMBLY



REAR DOOR OPEN/CLOSE RAM ASSEMBLY



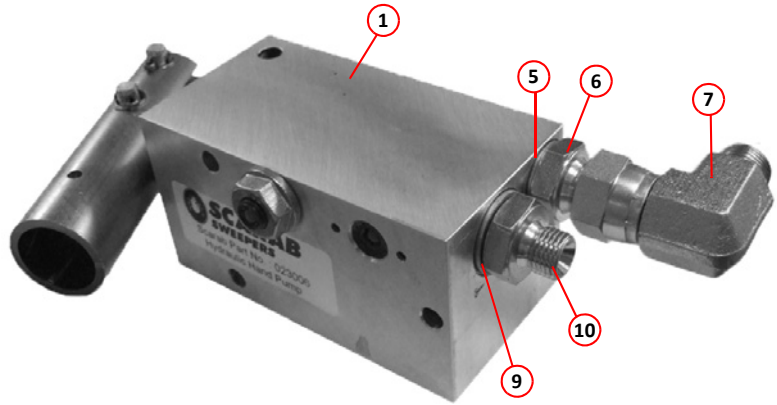
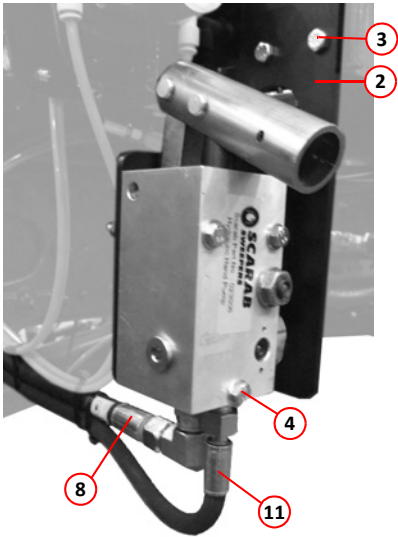
BRUSH RAM ASSEMBLY



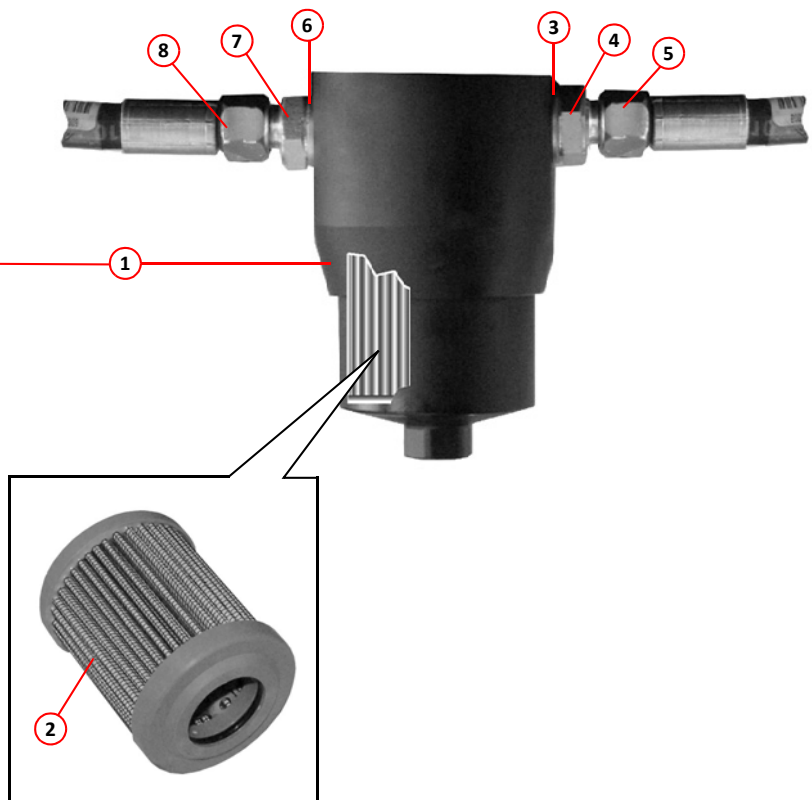
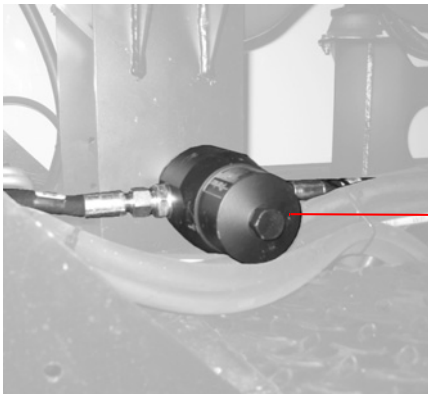
SUCTION NOZZLE TILT RAM ASSEMBLY

Item	Part Number	Quantity	Description
Auxiliary Hand Pump			
1	023006	1	. Hand pump Page 104
NI	038657	1	. . Handle, hand pump
2	038257	1	. . . Bracket, mounting, hand pump, R/H
NI	038256	1	. . . Bracket, mounting, hand pump, L/H
3	011001	4 Setscrew, M6 x 16mm
	011071	4 Nut, M6 Nyloc
4	000221	3	. . . Bolt, M6 x 70mm
	011090	6 Washer, M6
	011071	3 Nut, M6 Nyloc
5	011152	1	. . Washer, Dowty $\frac{1}{4}$ " BSP
6	011199	1	. . . Adaptor, M/M, $\frac{3}{8}$ " BSP x $\frac{1}{4}$ " BSP
7	011172	1 Elbow, swivel, M/F, $\frac{3}{8}$ " BSP x $\frac{3}{8}$ " BSP
8	001023	1 Hose, $\frac{3}{8}$ " BSP x 710mm
9	011153	1	. . Washer, Dowty, $\frac{3}{8}$ " BSP
10	011199	1	. . . Adaptor, M/M, $\frac{3}{8}$ " BSP x $\frac{1}{4}$ " BSP
11	011328	1 Hose, $\frac{1}{4}$ " BSP x 1780mm

Item	Part Number	Quantity	Description
Filter High-Pressure			
1	025103	1	. Filter, high-pressure Page 14,104
2	025104	1	. . Filter element
3	011154	1	. . Seal, Dowty, $\frac{1}{2}$ " BSP
4	011167	1	. . . Adaptor, $\frac{1}{2}$ " BSP x $\frac{3}{8}$ " BSP
5	011307	1 Hose, $\frac{3}{8}$ " BSP x 1300mm
6	011154	1	. . Seal, Dowty, $\frac{1}{2}$ " BSP
7	011167	1	. . . Adaptor, $\frac{1}{2}$ " BSP x $\frac{3}{8}$ " BSP
8	011310	1 Hose, $\frac{3}{8}$ " BSP x 300mm

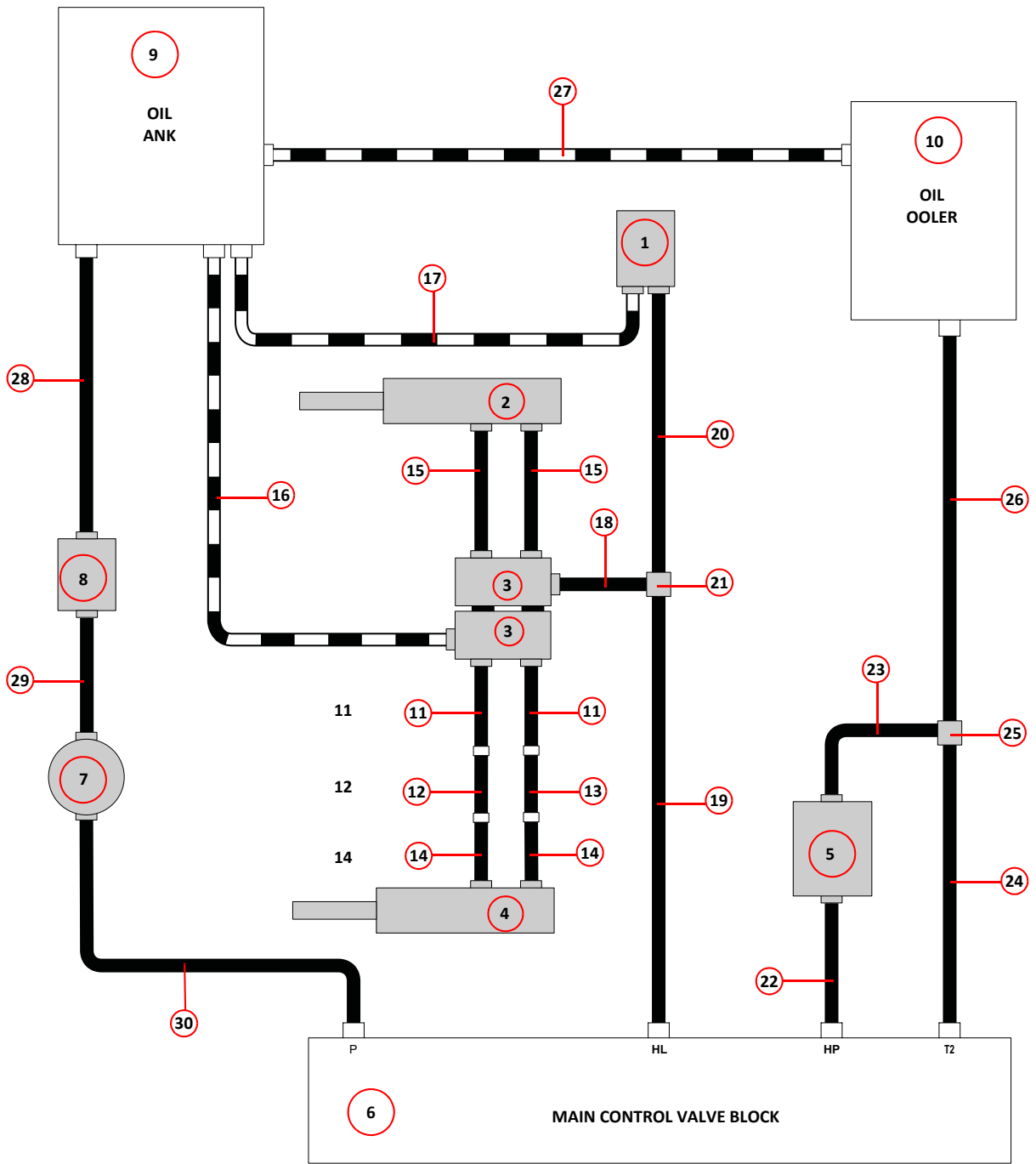


AUXILIARY HAND PUMP



HIGH-PRESSURE FILTER

Item	Part Number	Quantity	Description
Hydraulic Circuit - Hopper, Rear Door and HP Pump			
1	023006	1	Hand pump Page 102
2	024249	1	Hopper lift ram assembly Page 22, 100
3			Hopper/rear door valve block Page 94
4	034816	1	Rear door open/close ram assembly Page 34,100
5		1	High-pressure water pump Page 78
6	038219	1	Main valve control block Page 88
7	025103	1	Filter high pressure Page 14,102
8	034268	1	Hydraulic gear pump, 19.2cc Page 96
9	034415	1	Hydraulic oil tank Page 86
10	033711	1	Radiator oil/water Page 84
11	001002	2	. Hose, rubber, $\frac{1}{4}$ " BSP x 3700mm
12	034894	1	. Pipe, steel, \varnothing 12mm
13	034893	1	. Pipe, steel, \varnothing 12mm
14	011328	2	. Hose, rubber, $\frac{1}{4}$ " BSP x 1780mm
15	010980	2	. Hose, rubber, $\frac{1}{4}$ " BSP x 432mm
16	010958	AR	. Hose, rubber, $\frac{3}{8}$ " bore
17	010985	1	. Hose, rubber, $\frac{1}{4}$ " BSP x 2150mm
18	001023	1	. Hose, rubber, $\frac{3}{8}$ " BSP x 710mm
19	001171	1	. Hose, rubber, $\frac{3}{8}$ " BSP x 250mm
20	001023	1	. Hose, rubber, $\frac{3}{8}$ " BSP x 710mm
21	011198	1	. Tee, M/M/M, $\frac{5}{8}$ " BSP
22	011343	1	. Hose, rubber, $\frac{3}{8}$ " BSP x 4000mm
23	001058	1	. Hose, rubber, $\frac{1}{2}$ " BSP x 3500mm
24	001239	1	. Hose, rubber, $\frac{1}{2}$ " BSP x 150mm
25	011181	1	. Tee, M/M/M, $\frac{1}{2}$ " BSP
26	010995	1	. Hose, rubber, $\frac{1}{2}$ " BSP x 1065mm
27	011000	AR	. Hose, rubber, $\frac{5}{8}$ " bore
28	014827	AR	. Hose, rubber, 1" bore (Red Line)
29	011307	1	. Hose, rubber, $\frac{3}{8}$ " BSP x 1300mm
30	011310	1	. Hose, rubber, $\frac{3}{8}$ " BSP x 300mm

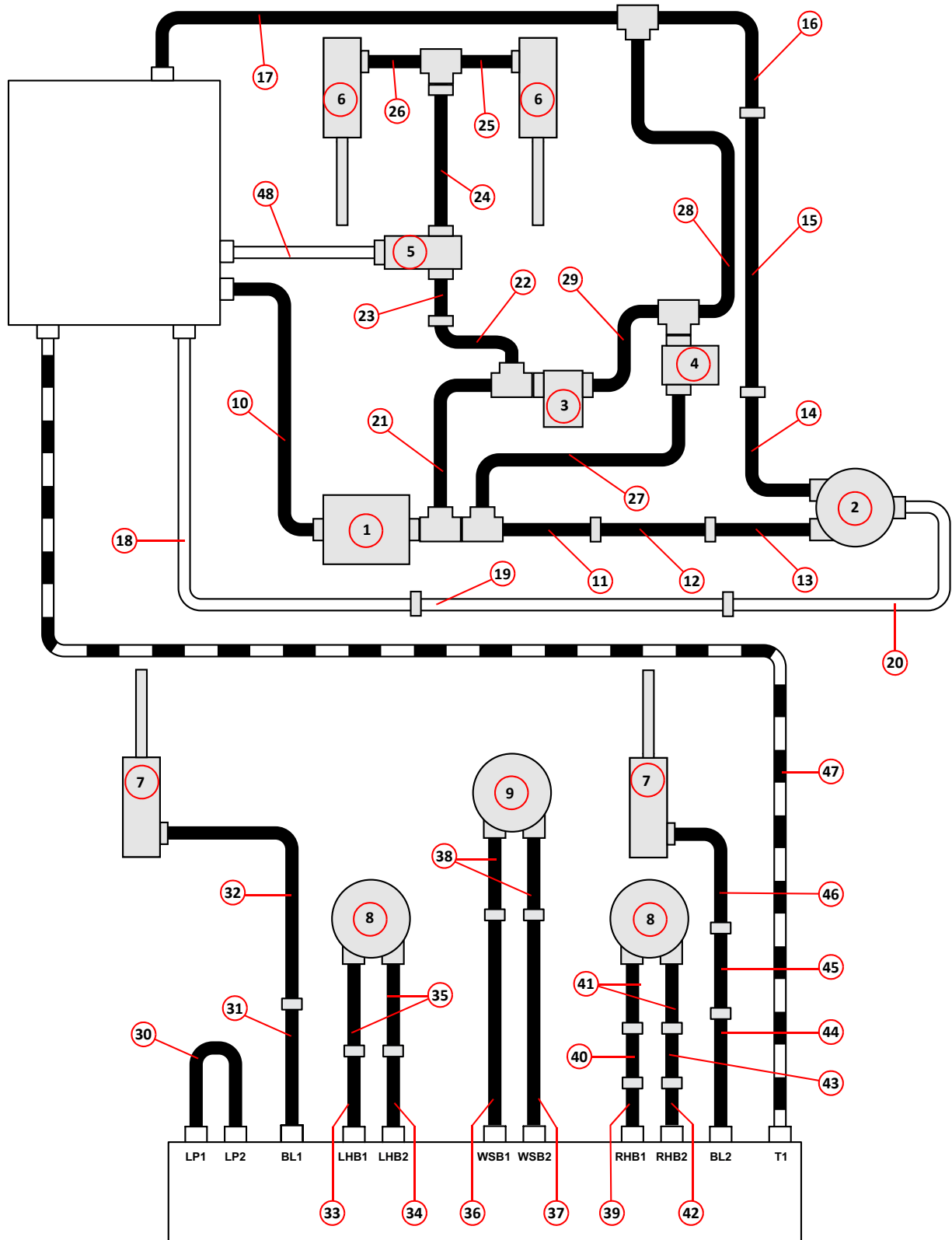


HOPPER, REAR DOOR AND HP PUMP, HYDRAULIC CIRCUIT

LEGEND

	Suction/High Pressure
	Return Pressure

Item	Part Number	Quantity	Description
Hydraulic Pipes Schematic - Brushes, Nozzle Tilt and Suction Fan			
1	042187	1	Suction fan pump Page 96
2	024641	1	Suction fan motor Page 96
3	041952	1	Dump valve Page 92
4	041951	1	Relief valve, fan Circuit Page 92
5	041953	1	Suction nozzle tilt control valve Page 90
6	041955	AR	Hydraulic ram, nozzle tilt Page 100
7	024539	2	Hydraulic ram, brush lift Page 42,100
8	010749	2	Motor hydraulic, LH/RH side brush Page 42,98
9	010566	1	Motor hydraulic, wide sweep brush Page 46,98
10	014827	AR	Hose, rubber, 1" bore (red line)
11	001244	1	Hose, rubber, 3/4" BSP x 4800mm (fan feed)
12	034899	1	Pipe, steel, 18mm (fan feed)
13	001245	1	Hose, rubber, 3/4" BSP x 1500mm (fan feed)
14	001245	1	Hose, rubber, 3/4" BSP x 1500mm (fan return)
15	034899	1	Pipe, steel, 18mm (fan return)
16	001038	1	Hose, rubber, 3/4" BSP x 3600mm (fan return)
17	001278	1	Hose, rubber, 5/8" BSP x 1120mm (fan return)
18	010958	AR	Hose, rubber, 3/8" Bore (fan drain)
19	034893		Pipe, steel, 12mm (fan drain)
20	010958	AR	Hose, rubber, 3/8" Bore (fan drain)
21	001278	1	Hose, rubber, 5/8" BSP x 960mm (dump valve/nozzle tilt feed)
22	001280	1	Hose, rubber, 3/8" BSP x 900mm (nozzle tilt feed)
23	001227	1	Hose, 3/8" BSP x 680mm (nozzle tilt feed)
24	001227	1	Hose, 3/8" BSP x 680mm (nozzle tilt feed)
25	001281	1	Hose, 1/4" BSP x 2800mm (nozzle tilt feed, right rand)
26	001282	1	Hose, 1/4" BSP x 1600mm (nozzle tilt feed, left rand)
27	001126	1	Hose, 3/4" BSP x 800mm (dump valve feed)
28	001049	1	Hose, 3/4" BSP x 800mm (dump valve return)
29	001075	1	Hose, 1/2" BSP x 500mm (relief valve return)
30	040127	1	Pipe, steel, 12mm (link pipe, LP1-LP2)
31	001160	1	. Hose, rubber, 1/4" BSP x 950mm (LH side brush lift)
32	034891	1	. Pipe, steel, 6mm (RH side brush lift)
33	034886	1	. Pipe, steel, 12mm (LH side brush feed)
34	034887	1	. Pipe, steel, 12mm (LH side brush return)
35	001167	2	. Hose, rubber, 3/8" BSP x 1200mm (LH side brush feed/return)
36	034889	1	. Pipe, steel, 12mm (wide sweep feed)
37	034888	1	. Pipe, steel, 12mm (wide sweep return)
38	001022	2	. Hose, rubber, 3/8" BSP x 770mm (wide sweep feed/return)
39	034882	1	. Pipe, steel, 12mm (RH side brush feed)
40	034883	1	. Pipe, steel, 12mm (RH side brush feed)
41	001167	2	. Hose, rubber, 3/8" BSP x 1200mm (RH side brush feed/return)
42	034884	1	. Pipe, steel, 12mm (RH side brush return)
43	034885	1	. Pipe, steel, 12mm (RH side brush return)
44	034890	1	. Pipe, steel, 6mm (LH side brush lift)
45	034892	1	. Pipe, steel, 6mm (RH side brush lift)
46	001160	1	. Hose, Rubber, 1/4" BSP x 950mm (RH side brush lift)
47	011000	AR	. Hose, rubber, 5/8" bore (valve block return)
48	010958	AR	Hose, 3/8" bore (suction nozzle tilt control valve return)



LEGEND	
	Suction/High Pressure
	Return Pressure
	Drain/Case Drain

**BRUSHES, NOZZLE TILT & SUCTION FAN
HYDRAULIC PIPES SCHEMATIC**

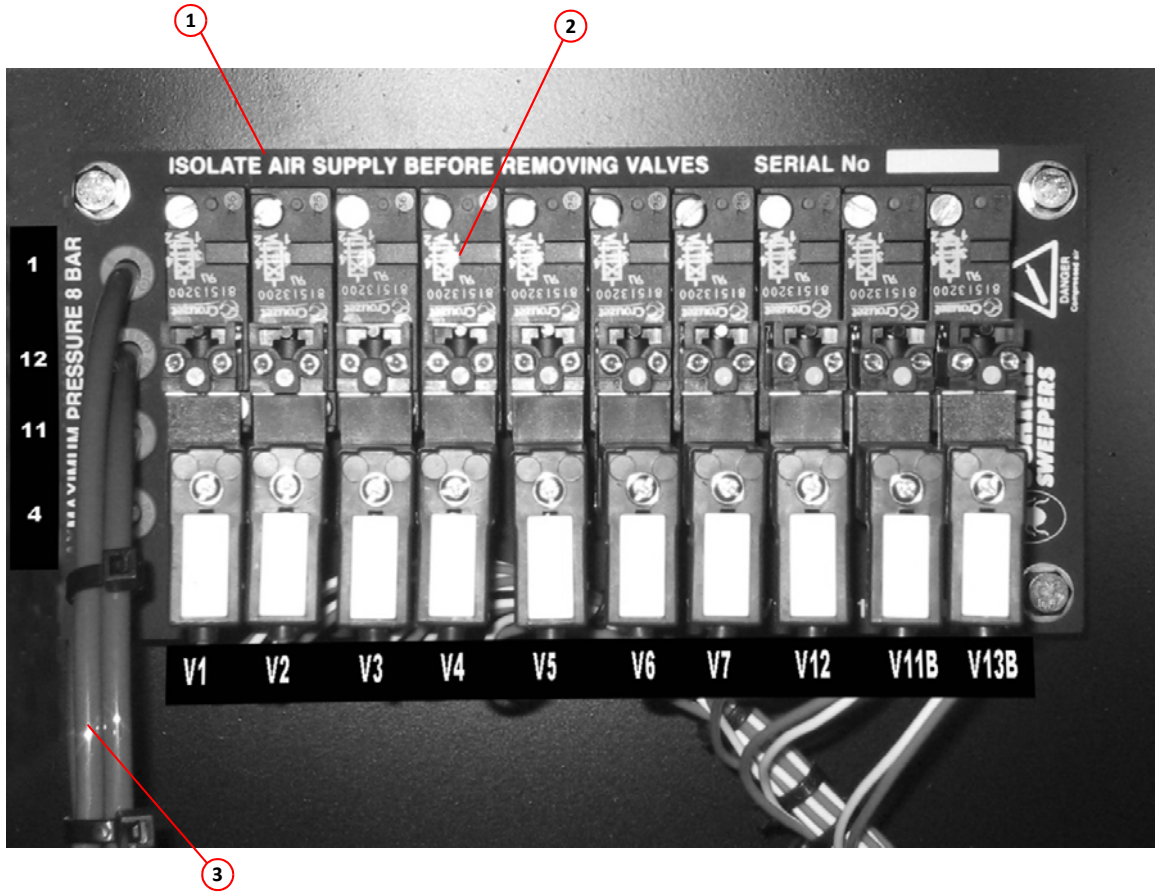
<i>Part Number</i>	<i>Quantity</i>	<i>Description</i>
		Clamps for Steel Piping
027980		Clamp block, single, 6mm
027981		Clamp block, single, 12mm
027982		Clamp block, single, 25mm
027983		Clamp block, double, 6mm x 6mm
027984		Clamp block, double, 12mm x 12mm
027985		Clamp block, double, 6mm x 12mm
027986		Clamp block, double, 12mm x 14mm
027987		Clamp block, double, 17.2mm x 17.2mm
027988		Clamp block, double, 18mm x 18mm
027989		Top plate 2-hole, small
027990		Top plate 2-hole, large
027991		Bottom plate 2-hole, small
027992		Bottom plate 2-hole, large
027993		Bottom plate 1-hole, small
027994		Bottom plate 1-hole, medium
027995		Bottom plate 2-hole, large
027996		Top plate 1-hole, small
027997		Top plate 1-hole, medium
027998		Top plate 1-hole, large

PNEUMATIC SYSTEM SECTION G

TABLE OF CONTENTS

<i>Assembly/Description</i>	<i>Page</i>
Pneumatic Control Valves	110
Pneumatic Filter, Regulator, Lubricator Arrangement	112
Pressure Regulator Valve, Switch, Wide Sweep & Side Brush	112
Pneumatic Cylinder, Wide Sweep Raise/Lower - Assembly	114
Pneumatic Cylinder, Wide Sweep Slewing - Assembly	114
Pneumatic Cylinder, Suction Nozzle Raise/Lower - Assembly	114
Pneumatic Cylinder, Side Brush Swing In/Out - Assembly	116
Pneumatic Cylinder, Side Brush Pressure - Assembly	116
Pneumatic Cylinder, Auto Blanking - Assembly	116

<i>Item</i>	<i>Part Number</i>	<i>Quantity</i>	<i>Description</i>
Pneumatic Control Valves			
1	034178	1	. Pneumatic valve block Page 122
2	035673	AR	. . Valve and solenoid (Standard)
3	024650	AR	. . Airline, green, ø6mm



PNEUMATIC CONTROL VALVES

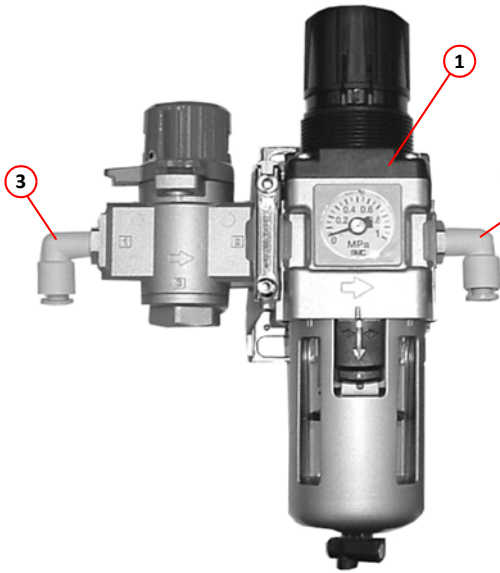
<i>Item</i>	<i>Part Number</i>	<i>Quantity</i>	<i>Description</i>
Pneumatic Filter, Regulator, Lubricator Arrangement			
1	032519	1	Pneumatic filter/regulator without lubricator, assembly
2	039753	1	Pneumatic filter/regulator with lubricator, assembly
3	023203	2	. Elbow, push-in, 6mm x $\frac{1}{4}$ " BSP
	011010	4	. Setscrew, M8 x 20mm
	011092	8	. Washer, M8
	011073	4	. Nut, M8, Nyloc
NI	024650	AR	. . . Airline, green, \varnothing 6mm
NI	005046	50ml	. Lubrication fluid

<i>Item</i>	<i>Part Number</i>	<i>Quantity</i>	<i>Description</i>
Pressure Regulator Valve, Switch, Wide Sweep & Side Brush *			
1	023242**	1	. Valve, pressure regulator
2	023246**	1	. . Gauge, 0 - 10 bar, $\frac{1}{4}$ " BSP
3	024645**	2	. . Connector, elbow, push-fit, 6mm - $\frac{1}{8}$ " BSP
4	024650**	AR	. . . Airline, green, \varnothing 6mm
5	023245**	1	. . Bracket
6	038328	1	. Pneumatic switch, side brush pressure up or down
7	024645	5	. . Connector, elbow, push-fit, 6mm - $\frac{1}{8}$ " BSP
8	024650	AR	. . . Airline, green, \varnothing 6mm

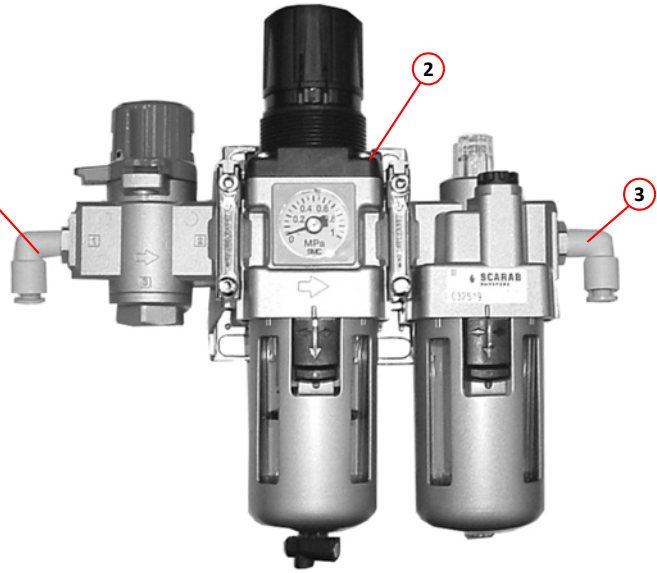
Notes:-

* The location of these components is normally in the Node/Pneumatic cabinet, but could be installed elsewhere. Please contact the Scarab Parts Department for help with correct fittings etc.

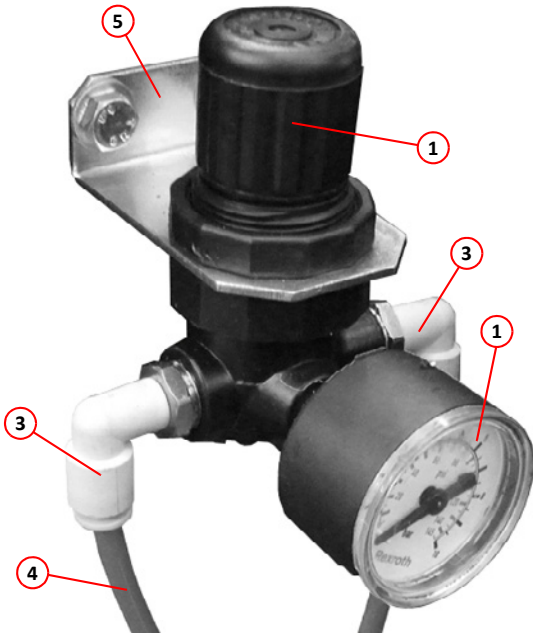
** These components are common to both the wide sweep pressure and the side brush pressure, regulators.



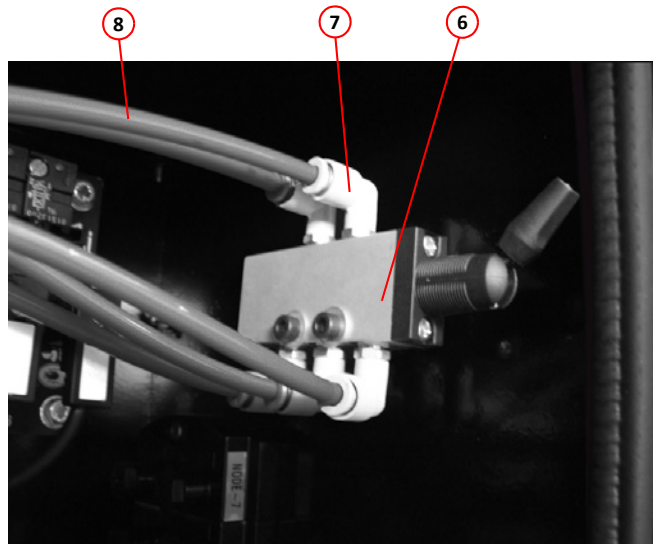
PNEUMATIC FILTER/REGULATOR



PNEUMATIC FILTER/REGULATOR/LUBRICATOR



PRESSURE REGULATOR VALVE AND GAUGE



SIDE BRUSH PRESSURE UP OR DOWN SWITCH

Item	Part Number	Quantity	Description
Pneumatic Cylinder, Wide Sweep Raise/Lower - Assembly *			
1	020602	1	. Pneumatic cylinder, 40 x 125 Page 46
2	014469	1	. . Clevis
3	023270	1	. . . Clevis retaining pin
4	023269	1	. . . Clevis retaining pin clip
5	030532	1	. . Pivot Bracket
	011067	4	. . . Setscrew, M6 x 20mm
	011091	4	. . . Spring washer, M6

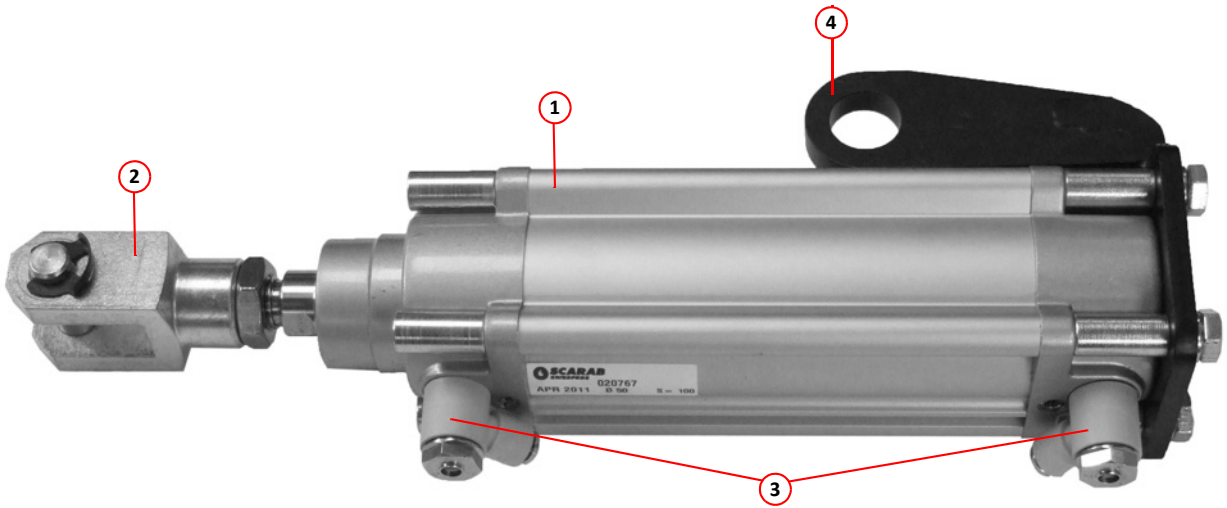
Item	Part Number	Quantity	Description
Pneumatic Cylinder, Wide Sweep Slewing - Assembly			
1	020767	1	. Pneumatic cylinder, 40 x 125 Page 48
2	036621	1	. . Clevis, includes pin and retaining clips
3	021158	2	. . Flow regulator
4	036620	1	. . Pivot Bracket
	011010	4	. . . Setscrew, M8 x 20mm
	011093	4	. . . Spring washer, M8

Item	Part Number	Quantity	Description
Pneumatic Cylinder, Suction Nozzle Raise/Lower - Assembly			
	031330		
1	030772	1	. Pneumatic cylinder, 50 x 200 Page 52
2	032293	1	. . Ring nut
3	021158	1	. . Flow regulator
4	030772	1	. . Pivot bracket
	000003	4	. . . Screw, countersunk socket, M8 x 20mm
5	030776	1	. . . Pivot block
	011057	2 Bolt, M12 x 100mm
	011096	4 Washer, M12
	011077	2 Nut, M12, Nyloc

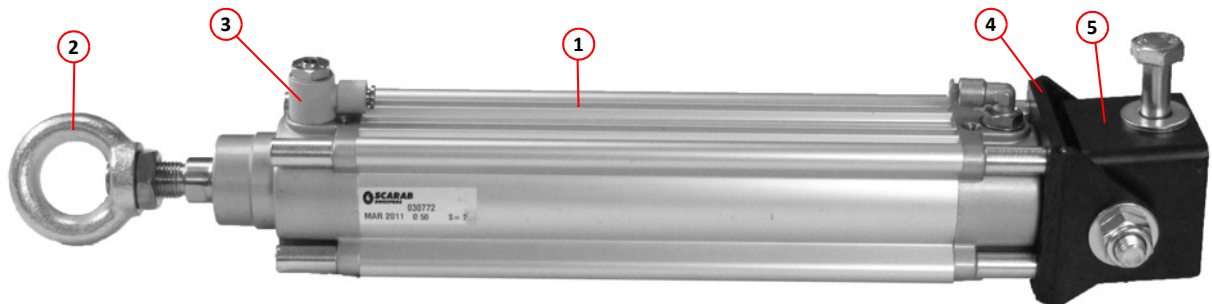
Notes:-
 * There are two wide sweep raise/lower cylinders per wide sweep.



PNEUMATIC CYLINDER, WIDE SWEEP RAISE/LOWER - ASSEMBLY



PNEUMATIC CYLINDER, WIDE SWEEP SLEWING - ASSEMBLY



PNEUMATIC CYLINDER, SUCTION NOZZLE RAISE/LOWER - ASSEMBLY

Item	Part Number	Quantity	Description
	022587		Pneumatic Cylinder, Side Brush Swing In/Out - Assembly
1	020298	1	. Pneumatic cylinder, 50 x 160 Page 44
2	020299	1	. . Clevis
3	022673	1	. . . Clevis retaining pin
4	022674	1	. . . Clevis retaining pin clip
5	020534	1	. . Bracket, pivot
	011011	4	. . . Bolt, M8 x 25mm
	011093	4	. . . Spring washer, M8
NI	024990	1	. . Seal kit, pneumatic cylinder

Item	Part Number	Quantity	Description
	023370		Pneumatic Cylinder, Side Brush Pressure - Assembly
1	020298	1	. Pneumatic cylinder, 50 x 160 Page 44
2	020299	1	. . Clevis
3	022673	1	. . . Clevis retaining pin
4	022674	1	. . . Clevis retaining pin clip
5	023122	1	. . Bracket, pivot
	011011	4	. . . Bolt, M8 x 25mm
	011093	4	. . . Spring washer, M8
6	023123	1	. . . Pin, $\varnothing 16\text{mm} \times 46\text{mm}$
	011135	2 Washer, M16
	011122	2 Split pin, $\frac{3}{16}'' \times 1\frac{1}{2}''$
NI	024990	1	. . Seal kit, pneumatic cylinder

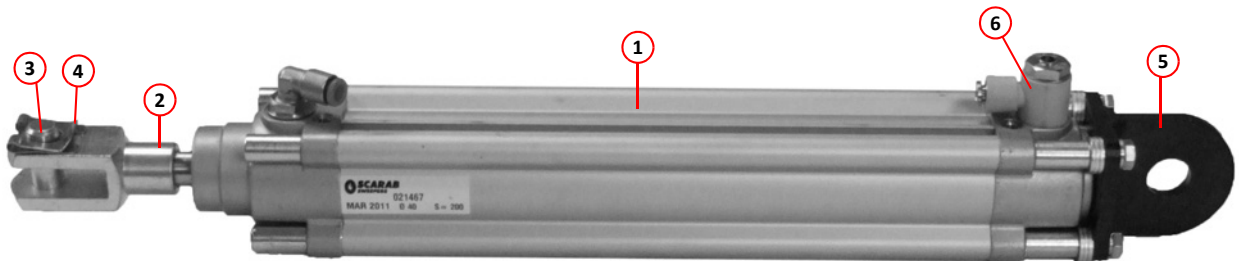
Item	Part Number	Quantity	Description
	026319		Pneumatic Cylinder, Auto Blanking - Assembly
1	021467	1	. Pneumatic cylinder, 40 x 200 Page 30
2	014469	1	. . Clevis
3	023270	1	. . . Clevis retaining pin
4	023269	1	. . . Clevis retaining pin clip
5	014457	1	. . Pivot bracket
	011087	4	. . . Bolt, M6 x 25mm
	011090	12 Washer, M6
	011091	4 Spring washer, M6
6	021158	1	. . Flow regulator



PNEUMATIC CYLINDER, SIDE BRUSH SWING IN/OUT - ASSEMBLY



PNEUMATIC CYLINDER, SIDE BRUSH PRESSURE - ASSEMBLY



PNEUMATIC CYLINDER, AUTO BLANKING - ASSEMBLY

ELECTRICAL SYSTEM

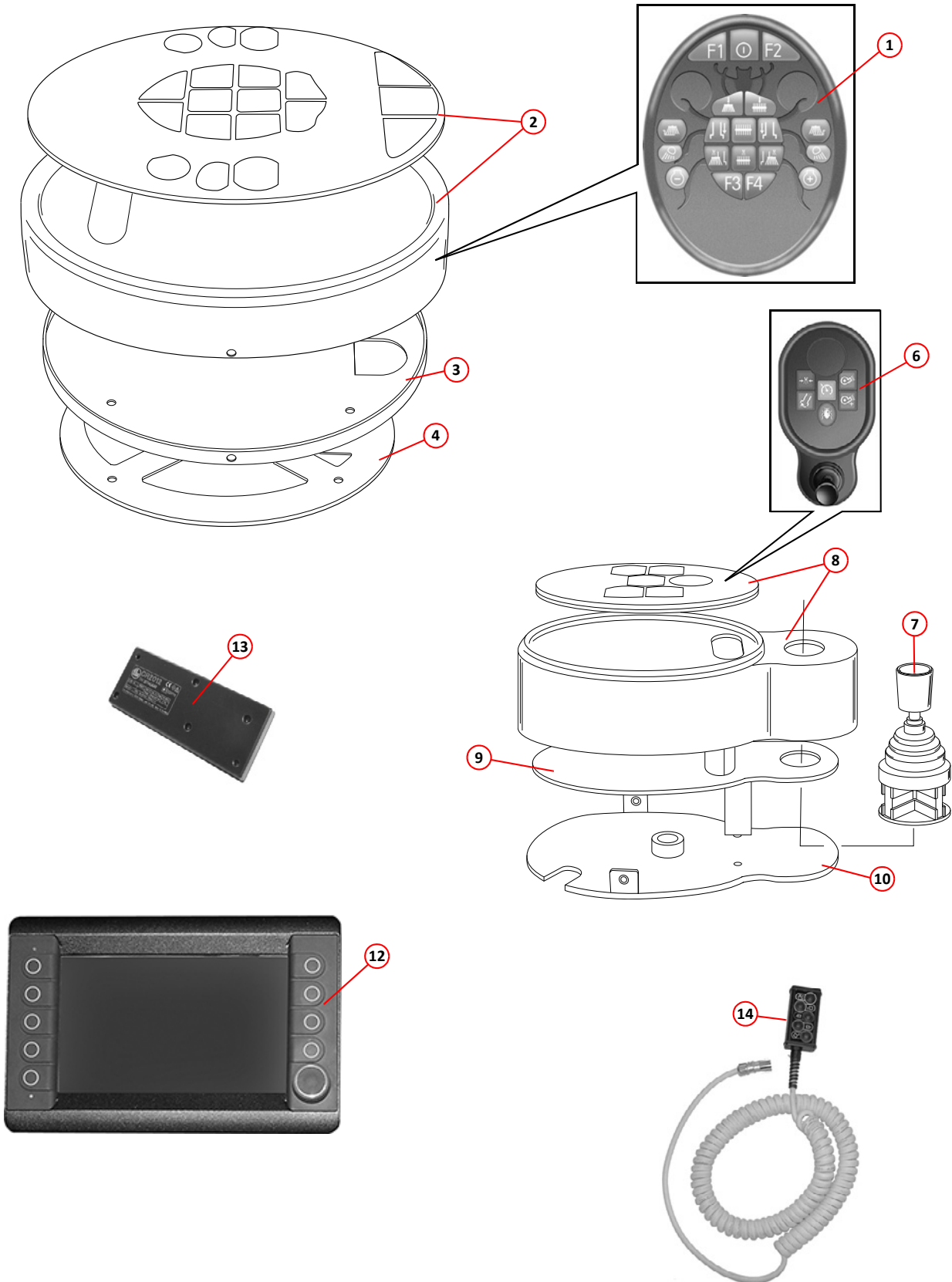
SECTION H

TABLE OF CONTENTS

<i>Assembly/Description</i>	<i>Page</i>
Electrical Components - Cab	120
Node and Pneumatic Enclosure Assembly	122
Battery Junction Box	122
Electrical - Wiring Looms, Connectors	124
Electrical - Switches and Sensors	124
Electrical - Fuses	124
Electrical - Relays	124
Electrical - Lamps and LEDs	125
Electrical - Beacons	125
Electrical - Spare Bulbs	125
Electrical - Other Components	125

Item	Part Number	Quantity	Description
Electrical Components - Cab			
1		1	Main control panel Page 10
2	038640*	1	. Main control panel, keypad and enclosure assembly
3	037053	1	. Enclosure back, main control panel
4	037055	1	. . Fixing plate, main control panel
	000304	8	. . . Screw, socket button-head, M4 x 10mm
	000134	8	. . . Nut, M4, Nyloc
5		1	Auxiliary controller Page 10
6		1	Auxiliary controller, new fan symbols Page 10
7	036873	1	. Switch, multifunction
8	037608*	1	. Auxiliary controller, keypad and enclosure assembly
9	037057	1	. . Support plate
10	037056	1	. . Back plate, LH mounting (shown)
10	037057	1	. . Back plate, RH mounting
12	042882	1	Display screen, CANbus v3.1 (programmed) Page 10
13	036799	3	Node, cabinet module (CR2012) Page 10
14	037074	1	Hopper controller (complete) Page 10

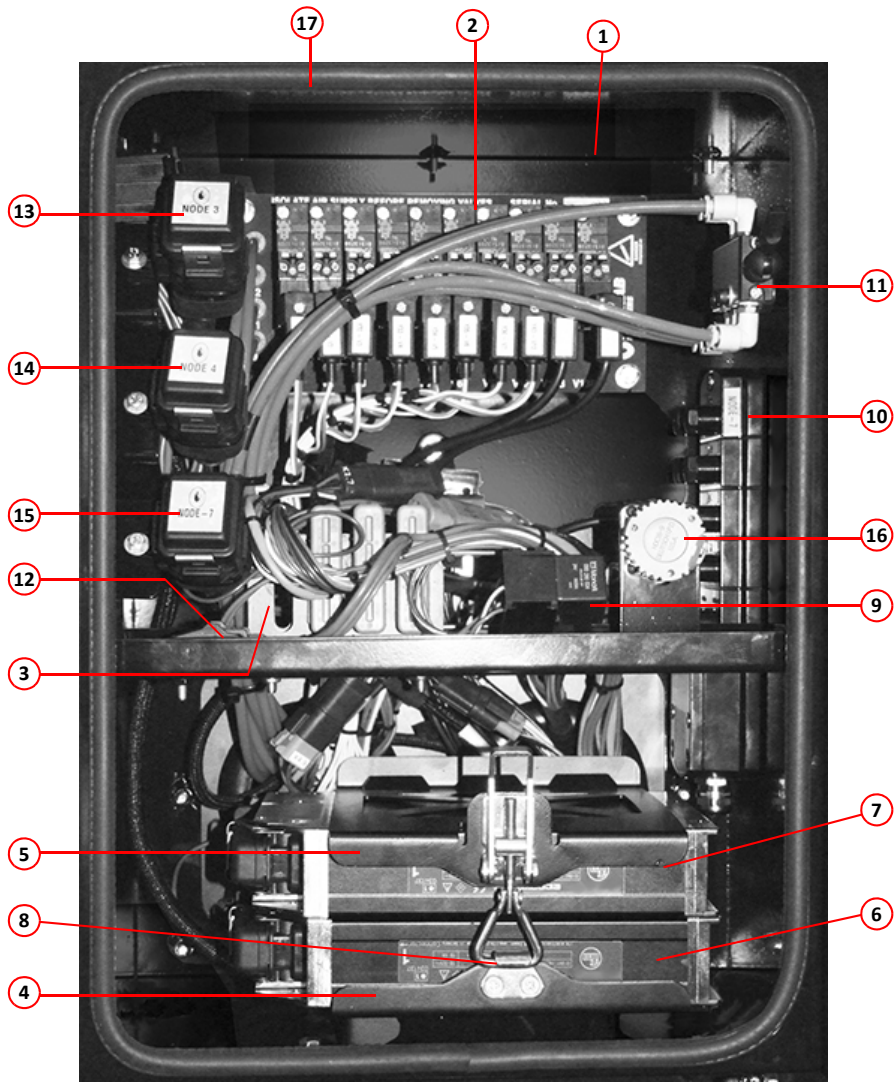
Notes:-
 * These are factory bonded as a single item.



ELECTRICAL COMPONENTS - CAB

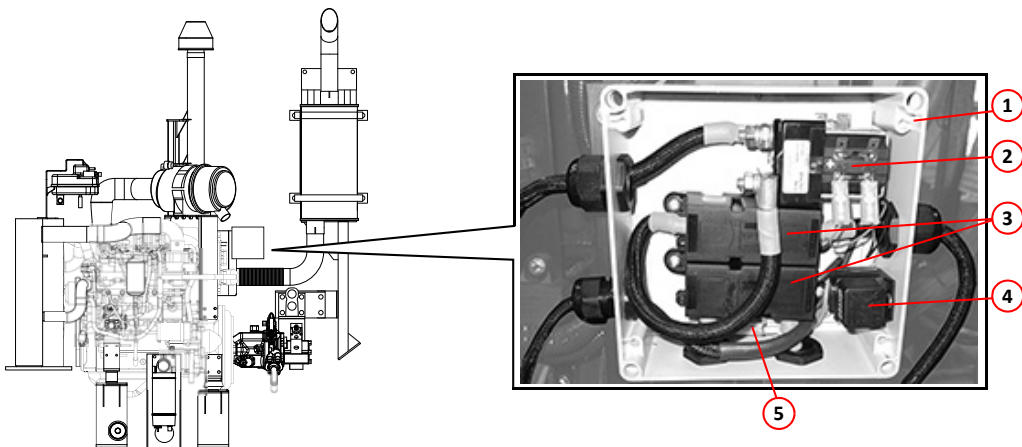
<i>Item</i>	<i>Part Number</i>	<i>Quantity</i>	<i>Description</i>
Node and Pneumatic Enclosure Assembly			
1	038209	1	Enclosure, Node and pneumatic Page 22
NI	034327	1	Door, Node and pneumatic enclosure
NI	033634	1	Catch, sealed, door
	011011	2	Setscrew, M8 x 25mm
	011092	4	Washer, M8
	011073	2	Nut, M8, Nyloc
2	034178	1	Pneumatic control valves Page 110
3	038212	1	Earth strip frame, (splice saver)
4	038210	1	Node carrier, lower
5	038211	1	Node carrier, upper
6	042344	1	Node 3, mobile controller, CR0505 (programmed)
7	042336	1	Node 4, mobile controller, CR0020 (programmed)
8	010509	1	Latch, toggle clip, node carrier
8	021841	1	Hook, toggle clip, node carrier
9	014718	1	Relay, cross-over Page 124
10	038214	1	Node 7, compact module, CR2031
11	038328	1	Side brush pressure toggle switch (Option) Page 112
12			Fuse holder, (F29)
13			Fuse holder, Node 3 (F1, F2, F3, F4)
14			Fuse holder, Node 4 (F25, F26, F27, F28)
15			Fuse holder, Node 7 (F30, F31, F32, F33)
16			Connector, service interface
17	025222	AR	Seal, rubber, (Titanfast, section DX78)
NI	004489	1	Boot, rubber, 6mm
NI	034807	2	Panel sock
NI	035664	1	Loom plate, control box
NI	036843	1	Power post red
NI	036844	2	Power connection link

<i>Item</i>	<i>Part Number</i>	<i>Quantity</i>	<i>Description</i>
Battery Junction Box			
NI	040602	1	Frame, junction box and fuel filter Page 14
1	037308	1	Enclosure, battery junction box Page 14
2	034207	1	Relay, air heat Page 124
3	004506	2	Fuse holder, Mega
NI	004422	2	Fuse 125 Amp Page 124
4	014718	1	Relay, cross over, 24V, electric water pump Page 124
5	014291	1	Fuse 25 Amp blade, electric water pump, (F34) Page 124



Enclosure shown with Node 7 and Side Brush Pressure Switch

NODE/PNEUMATIC ENCLOSURE



BATTERY JUNCTION BOX

<i>Part Number</i>	<i>Description</i>
Electrical - Wiring Looms, Connectors	
036911	Hopper loom
036912	Main control panel loom Page 10
036913	Auxiliary controller loom Page 10
036914	Main control panel, power, loom Page 10
036915	Auxiliary controller, power, loom Page 10
036916	Screen loom Page 10
037047	Loom, Hopper controller Page 10
037307	Node 3 Cummins loom
038013	Cab loom Page 10
038116	Node 4 loom
038228	Node 7 loom
038330	Hydraulic loom
039705	Cable, M12 plug with Deutsch DT 2 way x 3m Page 94
040126	Electric water pump loom
040353	Loom, power supply, rear camera Page 10, 38
040355	Loom, rear camera Page 10, 38

<i>Part Number</i>	<i>Description</i>
Electrical - Switches and Sensors	
032627	Hopper 'raised' sensor Page 24
036871	Float switch and amp (water level) Page 60
037226	Sensor, fluid level, radiator expansion tank Page 84

<i>Part Number</i>	<i>Description</i>
Electrical - Fuses	
004495	Fuse 2 Amp mini
004392	Fuse 7.5 Amp mini
004393	Fuse 10 Amp mini
004394	Fuse 15 Amp mini
004395	Fuse 20 Amp mini
004397	Fuse 30 Amp mini
004326	Fuse 1 Amp blade
004485	Fuse 2 Amp blade
014284	Fuse 3 Amp blade
014285	Fuse 4 Amp blade
014286	Fuse 5 Amp blade
014287	Fuse 7.5 Amp blade
014288	Fuse 10 Amp blade
014289	Fuse 15 Amp blade
014290	Fuse 20 Amp blade
014291	Fuse 25 Amp blade
014292	Fuse 30 Amp blade
004422	Fuse 125 Amp Mega Page 122

<i>Part Number</i>	<i>Description</i>
Electrical - Relays	
014718	Relay, cross over, 24V Page 122
034207	Relay, contactor 24V Page 122

<i>Part Number</i>	<i>Description</i>
Electrical - Lamps and LEDs	
037084	Work lamp, halogen, 24v x 70Watt Page 54
030773	Marker lamp LED 'Red' (hopper mounted) Page 34
038769	LED work lamp Page 54

Part Number

Description

Electrical - Beacons

014064	Beacon, 24V (Standard)	Page 34
011497	Bulb, halogen, 24V x 70 Watt (H1) (Beacon)	

Part Number

Description

Electrical - Spare Bulbs

004153	Bulb, halogen, 24V x 5 Watt, (434)
004174	Bulb, halogen, 24V x 70 Watt
004185	Bulb, work lamp, 24V 21 Watt
011489	Bulb, 24V x 5 Watt
011490	Bulb, 24V x 21 Watt, (single contact)
011492	Bulb, 24V x 2.8 Watt, (LLB865)
011497	Bulb, halogen, 24V x 70 Watt (H1) (Beacon)

Part Number

Description

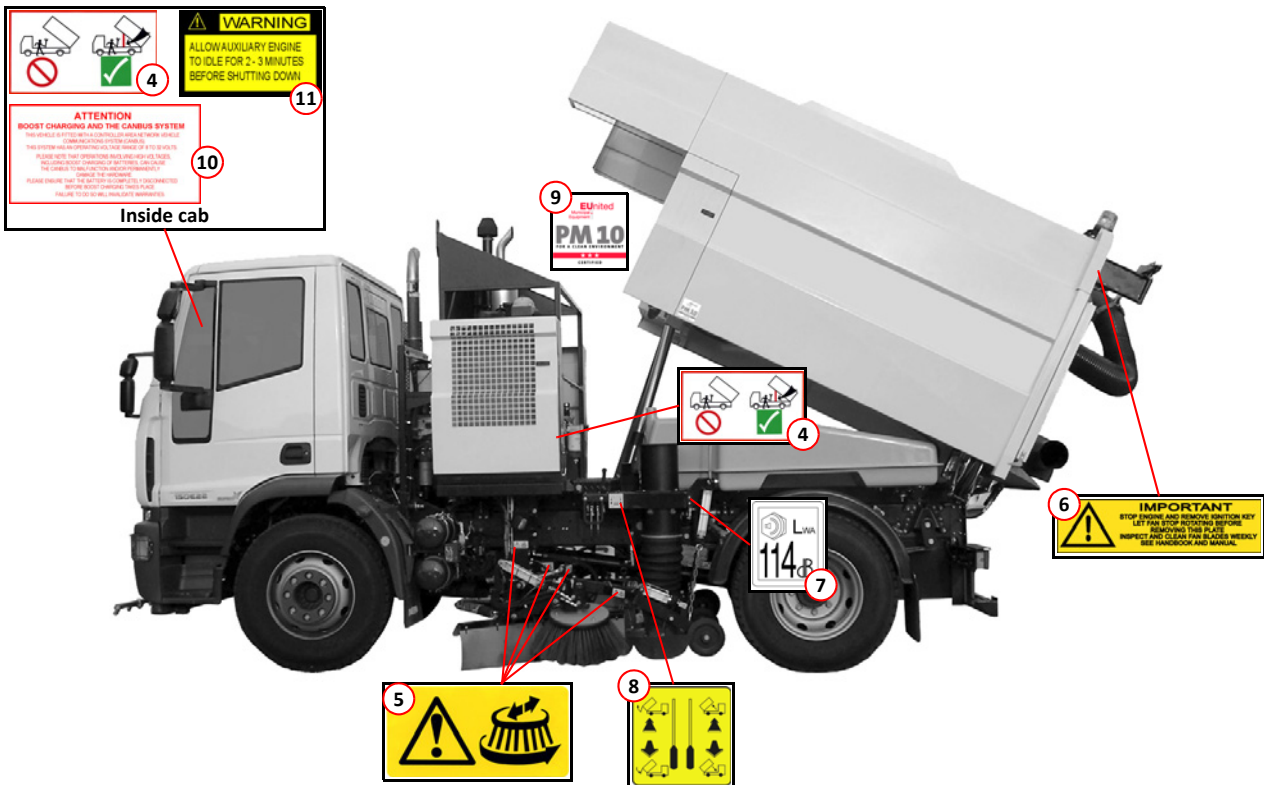
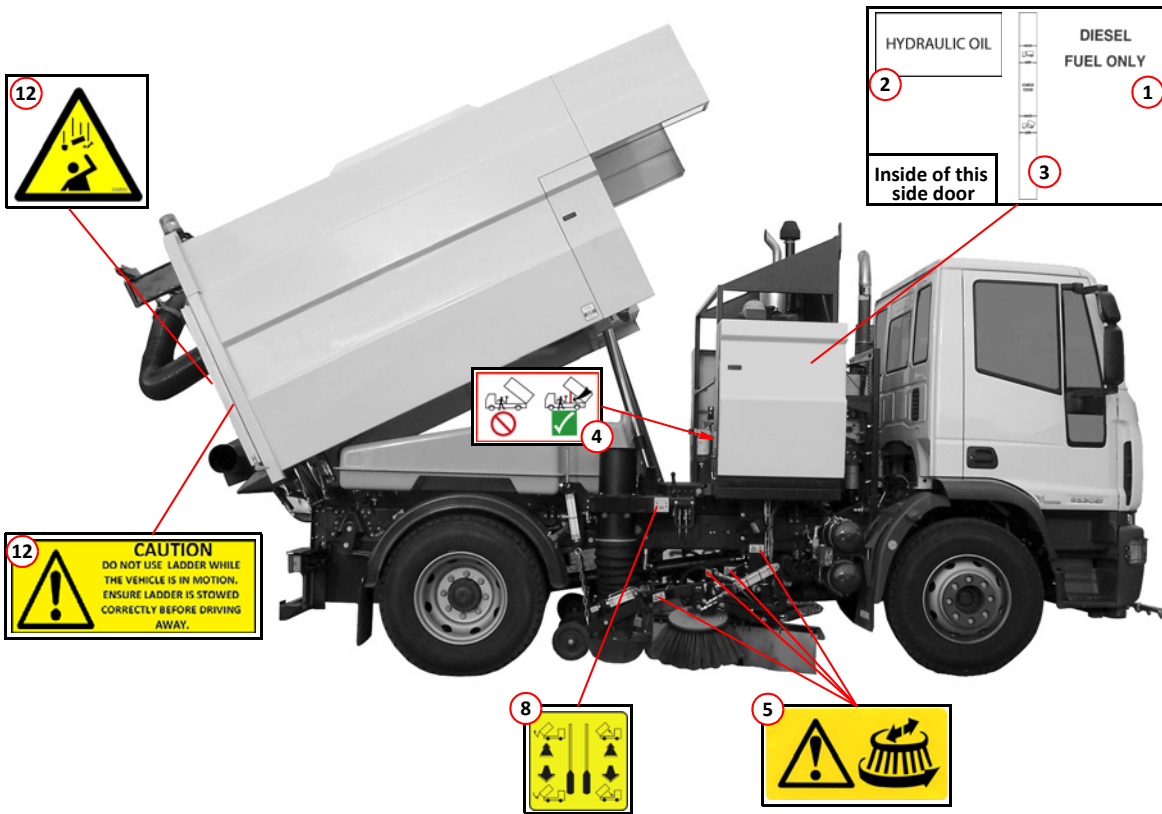
Electrical - Other Components

037048	Sounder (for keypad)	Page 10
037666	Sounder, hopper and door operation	
040046	Pump, electric, low pressure water	Page 66
040354	Camera	Page 38
041534	Camera splitter unit	Page 10
040597	USB memory stick, 2GB	

LABELS AND DECALS
SECTION I
TABLE OF CONTENTS

<i>Assembly/Description</i>	<i>Page</i>
Safety and Information Labels.....	128
Scarab Badges and Vinyl Decals.....	130

<i>Item</i>	<i>Part Number</i>	<i>Quantity</i>	<i>Description</i>
Safety and Information Labels			
1	021058	1	Diesel fuel oil
2	028408	1	Hydraulic oil
3	035872	1	Hydraulic oil level
4	022384	3	Warning, hopper prop deployment
5	022383	10	Warning, brush movement
6	021061	1	Warning, fan inspection (located inside inspection cover)
7	027774	1	Sound level
8	035767	1	Manual valve operation
9	039869	1	PM10 EUnited 3 Star, (Year of Manufacture)
NI	039868	1	PM10 EUnited 2 Star, (Year of Manufacture)
10	032409	1	Warning, boost charging
11	032935	1	Warning, auxiliary engine shut-down
12	039550	1	Warning, Debris warning, on rear inspection hatch Page 38
13	039866	1	Warning, Ladder stowage, on rear door Page 38



INFORMATION AND SAFETY LABEL LOCATIONS

<i>Item</i>	<i>Part Number</i>	<i>Quantity</i>	<i>Description</i>
			Scarab Badges and Vinyl Decals
1	036374	3	Vinyl decal, Scarab M6
2	030200	2	Body badge, Scarab
3	042983	2	Scarab Fayat logo, black
NI	042984	2	Scarab Fayat logo, white



An example application but actual application will depend upon livery requirements

